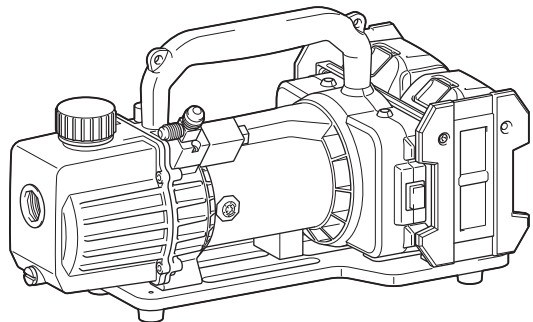




EN	Cordless Vacuum Pump	Instruction Manual	4
ID	Pompa Vakum Nirkabel	Buku Petunjuk	11
MS	Pam Vakum Tanpa Kord	Manual Arahan	19
VI	Máy Bơm Chân Không Cầm Tay Hoạt Động Bằng Pin	Hướng dẫn sử dụng	27
TH	ปั๊มสุญญากาศแบบไร้สาย	คู่มือใช้งาน	34
ZHCN	充电式真空泵	使用说明书(保留备用)	41
ZHTW	充電式真空幫浦	使用說明書	48
KO	충전식 진공 펌프	사용 설명서	54
FA	پمپ خلاء شارژی	دفترچه راهنما	65
AR	مضخة تفريغ لاسلكية	دليل التعليمات	71

DVP181



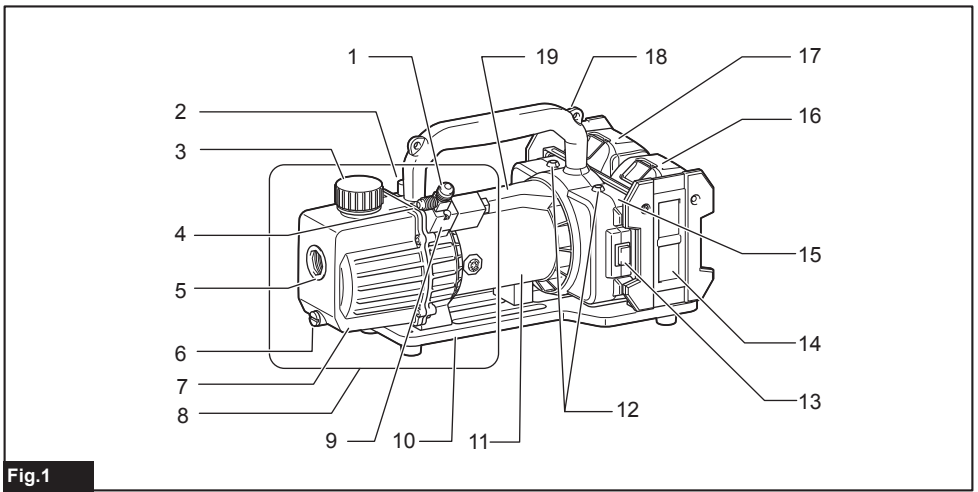


Fig.1

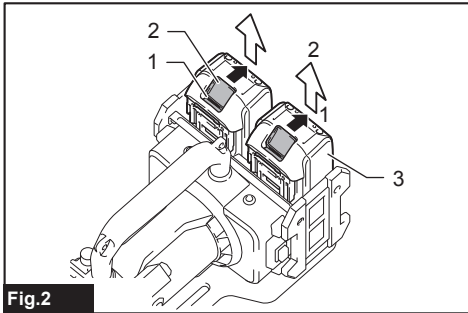


Fig.2

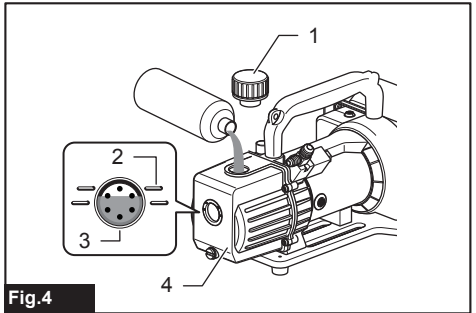


Fig.4

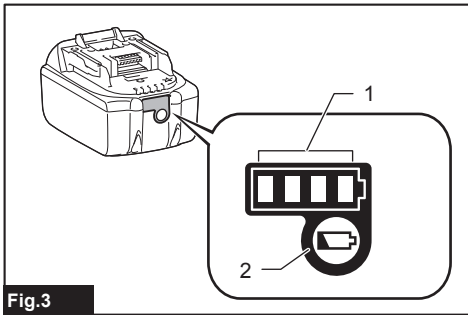


Fig.3

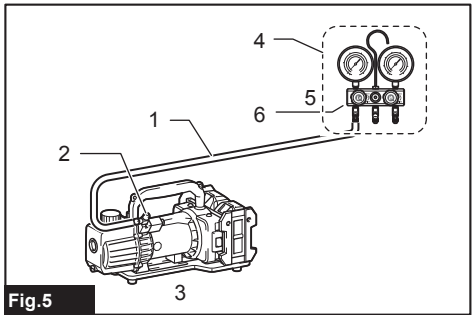


Fig.5

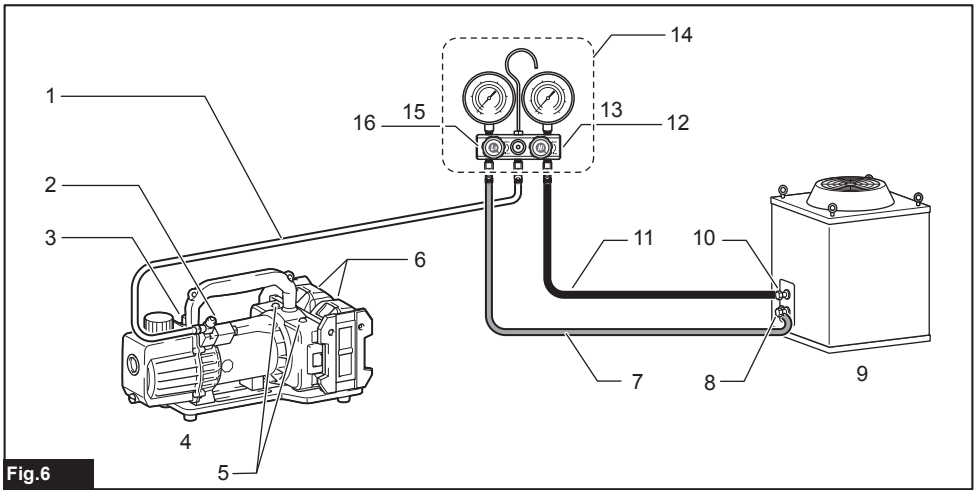


Fig.6

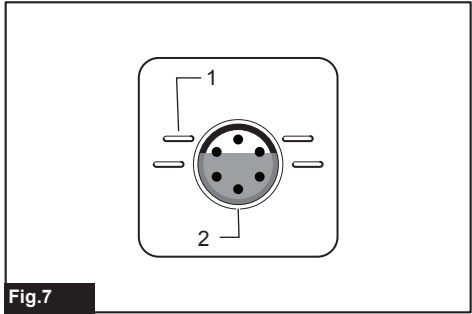


Fig.7

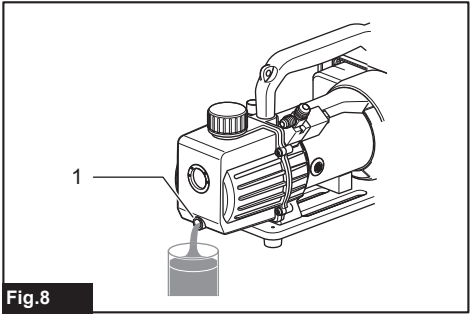


Fig.8

SPECIFICATIONS

Model:	DVP181
Rated voltage	D.C. 18 V
Pump	Two stage rotary pump
Free air displacement	113 L/min
Ultimate vacuum	3 Pa
Oil capacity	300 ml
Intake	5/16", 3/8" flare male
Dimensions	383 mm (L) × 193 mm (W) × 210 mm (H)
Net weight (with the two BL1860B batteries)	8.2 kg

- Due to our continuing program of research and development, the specifications herein are subject to change without notice.
- Specifications and battery cartridge may differ from country to country.
- Weight, with battery cartridge, according to EPTA-Procedure 01/2014

Applicable battery cartridge and charger

Battery cartridge	BL1830B(3.0 Ah) / BL1840B(4.0 Ah) / BL1850B(5.0 Ah) / BL1860B(6.0 Ah)
Charger	DC18RC / DC18RD / DC18RE / DC18SD / DC18SE / DC18SF / DC18SH

- Some of the battery cartridges and chargers listed above may not be available depending on your region of residence.

⚠WARNING: Only use the battery cartridges and chargers listed above. Use of any other battery cartridges and chargers may cause injury and/or fire.

Symbols

The following show the symbols used for the equipment. Be sure that you understand their meaning before use.



- Read instruction manual.



- Warning: hot surface!
Do not touch around this symbol.
Touching the surface may cause burns or injuries.



- Only for EU countries
Due to the presence of hazardous components in the equipment, waste electrical and electronic equipment, accumulators and batteries may have a negative impact on the environment and human health.
Do not dispose of electrical and electronic appliances or batteries with household waste!
In accordance with the European Directive on waste electrical and electronic equipment and on accumulators and batteries and waste accumulators and batteries, as well as their adaptation to national law, waste electrical equipment, batteries and accumulators should be stored separately and delivered to a separate collection point for municipal waste, operating in accordance with the regulations on environmental protection. This is indicated by the symbol of the crossed-out wheeled bin placed on the equipment.

General power tool safety warnings

⚠️WARNING: Read all safety warnings, instructions, illustrations and specifications provided with this power tool. Failure to follow all instructions listed below may result in electric shock, fire and/or serious injury.

Save all warnings and instructions for future reference.

The term “power tool” in the warnings refers to your mains-operated (corded) power tool or battery-operated (cordless) power tool.

Work area safety

1. **Keep work area clean and well lit.** Cluttered or dark areas invite accidents.
2. **Do not operate power tools in explosive atmospheres, such as in the presence of flammable liquids, gases or dust.** Power tools create sparks which may ignite the dust or fumes.
3. **Keep children and bystanders away while operating a power tool.** Distractions can cause you to lose control.

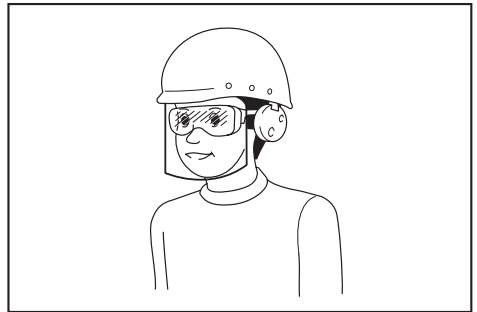
Electrical safety

1. **Power tool plugs must match the outlet. Never modify the plug in any way. Do not use any adapter plugs with earthed (grounded) power tools.** Unmodified plugs and matching outlets will reduce risk of electric shock.
2. **Avoid body contact with earthed or grounded surfaces, such as pipes, radiators, ranges and refrigerators.** There is an increased risk of electric shock if your body is earthed or grounded.
3. **Do not expose power tools to rain or wet conditions.** Water entering a power tool will increase the risk of electric shock.
4. **Do not abuse the cord. Never use the cord for carrying, pulling or unplugging the power tool. Keep cord away from heat, oil, sharp edges or moving parts.** Damaged or entangled cords increase the risk of electric shock.
5. **When operating a power tool outdoors, use an extension cord suitable for outdoor use.** Use of a cord suitable for outdoor use reduces the risk of electric shock.
6. **If operating a power tool in a damp location is unavoidable, use a residual current device (RCD) protected supply.** Use of an RCD reduces the risk of electric shock.
7. **Power tools can produce electromagnetic fields (EMF) that are not harmful to the user.** However, users of pacemakers and other similar medical devices should contact the maker of their device and/or doctor for advice before operating this power tool.

Personal safety

1. **Stay alert, watch what you are doing and use common sense when operating a power tool. Do not use a power tool while you are tired or under the influence of drugs, alcohol or medication.** A moment of inattention while operating power tools may result in serious personal injury.

2. **Use personal protective equipment. Always wear eye protection.** Protective equipment such as a dust mask, non-skid safety shoes, hard hat or hearing protection used for appropriate conditions will reduce personal injuries.
3. **Prevent unintentional starting. Ensure the switch is in the off-position before connecting to power source and/or battery pack, picking up or carrying the tool.** Carrying power tools with your finger on the switch or energising power tools that have the switch on invites accidents.
4. **Remove any adjusting key or wrench before turning the power tool on.** A wrench or a key left attached to a rotating part of the power tool may result in personal injury.
5. **Do not overreach. Keep proper footing and balance at all times.** This enables better control of the power tool in unexpected situations.
6. **Dress properly. Do not wear loose clothing or jewellery. Keep your hair and clothing away from moving parts.** Loose clothes, jewellery or long hair can be caught in moving parts.
7. **If devices are provided for the connection of dust extraction and collection facilities, ensure these are connected and properly used.** Use of dust collection can reduce dust-related hazards.
8. **Do not let familiarity gained from frequent use of tools allow you to become complacent and ignore tool safety principles.** A careless action can cause severe injury within a fraction of a second.
9. **Always wear protective goggles to protect your eyes from injury when using power tools. The goggles must comply with ANSI Z87.1 in the USA, EN 166 in Europe, or AS/NZS 1336 in Australia/New Zealand. In Australia/New Zealand, it is legally required to wear a face shield to protect your face, too.**



It is an employer's responsibility to enforce the use of appropriate safety protective equipments by the tool operators and by other persons in the immediate working area.

Power tool use and care

1. **Do not force the power tool. Use the correct power tool for your application.** The correct power tool will do the job better and safer at the rate for which it was designed.
2. **Do not use the power tool if the switch does not turn it on and off.** Any power tool that cannot be controlled with the switch is dangerous and must be repaired.

3. **Disconnect the plug from the power source and/ or remove the battery pack, if detachable, from the power tool before making any adjustments, changing accessories, or storing power tools.** Such preventive safety measures reduce the risk of starting the power tool accidentally.
4. **Store idle power tools out of the reach of children and do not allow persons unfamiliar with the power tool or these instructions to operate the power tool.** Power tools are dangerous in the hands of untrained users.
5. **Maintain power tools and accessories. Check for misalignment or binding of moving parts, breakage of parts and any other condition that may affect the power tool's operation. If damaged, have the power tool repaired before use.** Many accidents are caused by poorly maintained power tools.
6. **Keep cutting tools sharp and clean.** Properly maintained cutting tools with sharp cutting edges are less likely to bind and are easier to control.
7. **Use the power tool, accessories and tool bits etc. in accordance with these instructions, taking into account the working conditions and the work to be performed.** Use of the power tool for operations different from those intended could result in a hazardous situation.
8. **Keep handles and grasping surfaces dry, clean and free from oil and grease.** Slippery handles and grasping surfaces do not allow for safe handling and control of the tool in unexpected situations.
9. **When using the tool, do not wear cloth work gloves which may be entangled.** The entanglement of cloth work gloves in the moving parts may result in personal injury.

Battery tool use and care

1. **Recharge only with the charger specified by the manufacturer.** A charger that is suitable for one type of battery pack may create a risk of fire when used with another battery pack.
2. **Use power tools only with specifically designated battery packs.** Use of any other battery packs may create a risk of injury and fire.
3. **When battery pack is not in use, keep it away from other metal objects, like paper clips, coins, keys, nails, screws or other small metal objects, that can make a connection from one terminal to another.** Shorting the battery terminals together may cause burns or a fire.
4. **Under abusive conditions, liquid may be ejected from the battery; avoid contact. If contact accidentally occurs, flush with water. If liquid contacts eyes, additionally seek medical help.** Liquid ejected from the battery may cause irritation or burns.
5. **Do not use a battery pack or tool that is damaged or modified.** Damaged or modified batteries may exhibit unpredictable behaviour resulting in fire, explosion or risk of injury.
6. **Do not expose a battery pack or tool to fire or excessive temperature.** Exposure to fire or temperature above 130 °C may cause explosion.

7. **Follow all charging instructions and do not charge the battery pack or tool outside the temperature range specified in the instructions.** Charging improperly or at temperatures outside the specified range may damage the battery and increase the risk of fire.

Service

1. **Have your power tool serviced by a qualified repair person using only identical replacement parts.** This will ensure that the safety of the power tool is maintained.
2. **Never service damaged battery packs.** Service of battery packs should only be performed by the manufacturer or authorized service providers.
3. **Follow instruction for lubricating and changing accessories.**

Cordless vacuum pump safety warnings

1. **The power tool is a machine used to evacuate refrigeration and air conditioning equipment and recovery vessels. Do not use it for other applications.** Doing so may result in accidents.
2. **Always inspect the power tool for oil leaks before use.** Failure to do so may result in fire.
3. **Check the oil level and condition (deterioration, etc.) to enable safe and efficient work.**
4. **Adequate performance may not be obtained in extremely hot or cold environments.**

SAVE THESE INSTRUCTIONS.

⚠WARNING: DO NOT let comfort or familiarity with product (gained from repeated use) replace strict adherence to safety rules for the subject product.

MISUSE or failure to follow the safety rules stated in this instruction manual may cause serious personal injury.

Important safety instructions for battery cartridge

1. **Before using battery cartridge, read all instructions and cautionary markings on (1) battery charger, (2) battery, and (3) product using battery.**
2. **Do not disassemble battery cartridge.**
3. **If operating time has become excessively shorter, stop operating immediately. It may result in a risk of overheating, possible burns and even an explosion.**
4. **If electrolyte gets into your eyes, rinse them out with clear water and seek medical attention right away. It may result in loss of your eyesight.**
5. **Do not short the battery cartridge:**
 - (1) **Do not touch the terminals with any conductive material.**
 - (2) **Avoid storing battery cartridge in a container with other metal objects such as nails, coins, etc.**
 - (3) **Do not expose battery cartridge to water or rain.**

A battery short can cause a large current flow, overheating, possible burns and even a breakdown.

6. Do not store and use the tool and battery cartridge in locations where the temperature may reach or exceed 50°C (122°F).
7. Do not incinerate the battery cartridge even if it is severely damaged or is completely worn out. The battery cartridge can explode in a fire.
8. Be careful not to drop or strike battery.
9. Do not use a damaged battery.
10. Follow your local regulations relating to disposal of battery.
11. The contained lithium-ion batteries are subject to the Dangerous Goods Legislation requirements. When disposing the battery cartridge, remove it from the tool and dispose of it in a safe place. Follow your local regulations relating to disposal of battery.
12. Use the batteries only with the products specified by Makita.
13. If the tool is not used for a long period of time, the battery must be removed from the tool.
14. During and after use, the battery cartridge may take on heat which can cause burns or low temperature burns.
15. Do not touch the terminal of the tool immediately after use as it may get hot enough to cause burns.
16. Do not allow chips, dust, or soil stuck into the terminals, holes, and grooves of the battery cartridge. It may result in poor performance or breakdown of the tool or battery cartridge.
17. Unless the tool supports the use near a high-voltage electrical power lines, do not use the battery cartridge near a high-voltage electrical power lines.
18. Keep the battery away from children.

SAVE THESE INSTRUCTIONS.

CAUTION: Only use genuine Makita batteries. Use of non-genuine Makita batteries, or batteries that have been altered, may result in the battery bursting causing fires, personal injury and damage. It will also void the Makita warranty for the Makita tool and charger.

Tips for maintaining maximum battery life

1. Charge the battery cartridge before completely discharged. Always stop tool operation and charge the battery cartridge when you notice less tool power.
2. Never recharge a fully charged battery cartridge. Overcharging shortens the battery service life.
3. Charge the battery cartridge with room temperature at 10°C - 40°C (50°F - 104°F). Let a hot battery cartridge cool down before charging it.
4. When not using the battery cartridge, remove it from the tool or the charger.
5. Charge the battery cartridge if you do not use it for a long period (more than six months).

PARTS DESCRIPTION

► Fig.1:

- | | |
|-------------------------|---------------------------------|
| 1. Intake port 3/8" | 12. LED lamp |
| 2. Gas ballast valve | 13. Power switch |
| 3. Oil fill/Exhaust cap | 14. Battery guard |
| 4. Intake port 5/16" | 15. Battery holder |
| 5. Sight glass | 16. Battery (on the Left port) |
| 6. Drain valve | 17. Battery (on the Right port) |
| 7. Oil tank | 18. Handle |
| 8. Area around pump | 19. Wiring cover |
| 9. Solenoid valve | |
| 10. Base | |
| 11. Motor | |

FUNCTIONAL DESCRIPTION

CAUTION: Always be sure that the pump is switched off and the battery cartridge is removed before adjusting or checking function on the pump.

Installing or removing battery cartridge

CAUTION: Always switch off the pump before installing or removing of the battery cartridge.

CAUTION: Hold the pump and the battery cartridge firmly when installing or removing battery cartridge. Failure to hold the pump and the battery cartridge firmly may cause them to slip off your hands and result in damage to the pump and battery cartridge and a personal injury.

► Fig.2:

1. Red indicator
2. Button
3. Battery cartridge

To remove the battery cartridge, slide it from the pump while sliding the button on the front of the cartridge.

To install the battery cartridge, align the tongue on the battery cartridge with the groove in the housing and slip it into place. Insert it all the way until it locks in place with a little click. If you can see the red indicator on the upper side of the button, it is not locked completely.

CAUTION: Always install the battery cartridge fully until the red indicator cannot be seen. If not, it may accidentally fall out of the pump, causing injury to you or someone around you.

CAUTION: Do not install the battery cartridge forcibly. If the cartridge does not slide in easily, it is not being inserted correctly.

Battery protection system

The pump or battery is equipped with a battery protection system. This system automatically cuts off power to the motor to extend battery life.

The pump will automatically stop during operation if the pump and/or battery are placed under one of the following conditions:

Overloaded:

The pump or battery is operated in a manner that causes it to draw an abnormally high current.

In this situation, turn the pump off and stop the application that caused the pump to become overloaded. Then turn the pump on to restart.

If the pump does not start, the battery is overheated.

In this situation, let the battery cool before turning the pump on again.

Low battery voltage:

The remaining battery capacity is too low and the pump will not operate. In this situation, remove and recharge the battery.

Indicating the remaining battery capacity

Only for battery cartridges with the indicator

► Fig.3:

1. Indicator lamps
2. Check button

Press the check button on the battery cartridge to indicate the remaining battery capacity. The indicator lamps light up for few seconds.

Indicator lamps			Remaining capacity
Lighted	Off	Blinking	
			75% to 100%
			50% to 75%
			25% to 50%
			0% to 25%
			Charge the battery.
			The battery may have malfunctioned.

NOTE: Depending on the conditions of use and the ambient temperature, the indication may differ slightly from the actual capacity.

NOTE: The first (far left) indicator lamp will blink when the battery protection system works.

OPERATION

The pump does not contain oil when newly purchased. Refer to "Adding oil" and add oil.

⚠ WARNING: Operating the pump in the condition without oil added will damage the pump. In addition, the oil tank will become hot and may result in burns or other accidents.

Adding oil

► Fig.4:

1. Oil fill/Exhaust cap
2. Level line
3. Sight glass
4. Oil tank

1. Remove the oil fill/exhaust cap and add the supplied oil via the filler port.

NOTICE: Always use Makita genuine oil in order to maintain pump performance.

2. Add oil until the oil level is between the upper and lower level lines of the sight glass.

NOTICE: The oil level is important. Operating the pump in the condition with the oil level not between the upper and lower level lines may result in malfunction.

Checking performance

► Fig.5:

1. Charging hose (yellow)
2. Intake port
3. Vacuum pump
4. Manifold
5. Low side valve
6. Close

1. Connect the low side valve of the manifold and the intake port of the pump with a charging hose.
2. Close the low side valve of the manifold.
3. Turn the pump on. If the pressure of the manifold indicates a vacuum of -0.09 to -0.1 MPa within 30 seconds, the pump is operating properly.
4. Turn the pump off.

Operation

► Fig.6:

1. Charging hose (yellow)
2. Intake port
3. Gas ballast valve
4. Vacuum pump
5. LED lamp
6. Battery
7. Charging hose (blue)
8. Service port (Low pressure side)
9. Outdoor unit
10. Service port (High pressure side)
11. Charging hose (red)
12. Close
13. High side valve
14. Manifold
15. Low side valve
16. Close

1. Connect the pump, manifold and outdoor unit with hoses.

NOTE: When the size of the service port on the unit is 1/4", use the supplied different diameter adapter.

2. Check that the high side and low side valves of the manifold are closed.

3. Install the two batteries to the pump. (See "Installing or removing battery cartridge" for the installation method.)
4. Open the gas ballast valve.
5. Turn the pump on. The LED lamp (RED) lights up and the motor operates.
6. Open the low side valve and high side valve of the manifold.
7. Close the gas ballast valve after 5 to 10 minutes.

NOTE: The gas ballast valve is used to remove water (vapour) and condensable gas (taken into the pump during exhaust) from oil. If the condensable gas liquifies and gets into oil, it can cause a decrease in lubricity, and shorten the service life of the pump and seal. When the air enters from the gas ballast valve, the condensed gas remains as it is, and is exhausted with air.

It is recommended to warm up the pump before operation because the more pump temperature is high, the higher gas ballast efficiency can be obtained.

8. When the remaining capacity of the battery (on the Left port) becomes empty, the power supply automatically changes to the battery (on the Right port). Remove the battery L, and replace it with a spare battery. When the remaining capacity of battery R becomes empty, the power supply changes to the battery L again. The pump can be operated for a long time by using the charged spare batteries repeatedly for L-R-L-R.

⚠WARNING: The pump becomes hot during operation and immediately after stopping. Do not touch the area around pump while it is hot. Doing so may result in burns or other accidents.

NOTE: The motor may not operate when it is cold (5°C or less). In these cases, bring the pump indoors and allow it to warm up.

9. When the specified vacuum (refer to the manual provided by the air conditioner manufacturer) is reached, close the low side valve of the manifold.
10. Turn the pump off.

Airtightness test

There are no leaks if the pressure of the manifold does not rise for 5 minutes or more after leaving the pump and manifold.

NOTE: When the battery remaining capacity becomes low, LED lamp goes out and at the same time a long alarm beep start sounding. About two minutes later the motor stops. And then alarm beep changes into a repeated short-time interval beeping which notifies the motor stop and 30 seconds later the beeping stops. However, do not wait until the motor stops (or alarm beep changes to a short-time beeping), and instead close the inlet valve of the tool and the low pressure side valve of manifold.

Check that the pump is turned off, remove the battery, and charge it or replace it with a spare battery.

- Refer to the following table for the battery operation times.

Operation times (guideline)

Battery	Operation times per piece
BL1860B	30 min
BL1850B	25 min
BL1840B	20 min
BL1830B	15 min

- After finishing work, remove the battery and attach the supplied cover.

NOTICE: When transporting, operating and storing the tool, never place it on its side or upside down. This may cause oil leakage from the oil filler/vent cap.

MAINTENANCE

⚠CAUTION: Always be sure that the pump is switched off and the battery cartridge is removed before attempting to perform inspection or maintenance.

NOTICE: Never use gasoline, benzene, thinner, alcohol or the like. Discoloration, deformation or cracks may result.

To maintain product SAFETY and RELIABILITY, repairs, any other maintenance or adjustment should be performed by Makita Authorized or Factory Service Centers, always using Makita replacement parts.

Checking the oil

► Fig.7:

1. Level line
 2. Sight glass
- Always check the oil level and condition (deterioration, etc.) before using the pump.

NOTE: Add oil until the oil level is between the upper and lower level lines of the sight glass. The quantity of oil is 300 ml.

NOTE: The oil level is important. If it is not between the upper and lower level lines, it can cause malfunction.

Replacing the oil

► Fig.8:

1. Drain valve
1. Operate the pump for 1 or 2 minutes to warm up the oil.
 2. Turn the pump off.
 3. Remove the drain valve and drain the oil.
 4. Refer to "Adding oil" and add new oil.
- Dispose of the old oil in accordance with local regulations.

NOTE: It is recommended to change the oil after 20 hours of usage to protect pump components from contaminants pulled into the pump.

When vacuuming on old refrigeration systems, change the oil after every usage.

Cleaning the pump

1. When the oil is extremely dirty, replace the oil and then operate the pump for 3 to 5 minutes.
2. Drain the oil and add new oil.
If the drained oil is still dirty, repeat this cleaning process two or three times.

OPTIONAL ACCESSORIES

⚠CAUTION: These accessories or attachments are recommended for use with your Makita tool specified in this manual. The use of any other accessories or attachments might present a risk of injury to persons. Only use accessory or attachment for its stated purpose.

If you need any assistance for more details regarding these accessories, ask your local Makita Service Center.

- Shoulder belt
- Vacuum pump oil 300 ml
- Vacuum pump hose
- Vacuum pump valve with gauge
- Makita genuine batteries and chargers

⚠CAUTION: When using the shoulder belt:

- Do not use the shoulder belt if the hook is damaged or deformed.
- The hooks are intended to use with Makita shoulder belt only. Do not attach any other attachment. Using for unintended purpose may cause accident or personal injury.
- The shoulder belt is intended for carrying the pump on your shoulder. Do not use it for other purposes such as anti-drop measure.
- Do not put excessive load to the shoulder belt. Doing so may break the shoulder belt or mounting part and result in personal injury.
- When using the shoulder belt, attach it to the hooks on the handle. Make sure that the shoulder belt is securely attached to the hooks and hold the handle of the pump when carrying it using the shoulder belt.

NOTE: Some items in the list may be included in the tool package as standard accessories. They may differ from country to country.

SPESIFIKASI

Model:	DVP181
Tegangan maksimum	D.C. 18 V
Pompa	Pompa rotari dua tahap
Kapasitas udara bebas	113 L/menit
Vakum puncak	3 Pa
Kapasitas oli	300 ml
Hisap	Jantan kembang 5/16", 3/8"
Dimensi	383 mm (P) × 193 mm (L) × 210 mm (T)
Berat bersih (dengan dua baterai BL1860B)	8,2 kg

- Karena program riset dan pengembangan yang berkesinambungan, spesifikasi dalam dokumen ini dapat berubah tanpa pemberitahuan.
- Spesifikasi dan kartrid baterai dapat berbeda antar negara.
- Berat, dengan kartrid baterai, sesuai dengan Prosedur-EPTA 01/2014

Pengisi daya dan kartrid baterai yang dapat digunakan

Kartrid baterai	BL1830B(3,0 Ah) / BL1840B(4,0 Ah) / BL1850B(5,0 Ah) / BL1860B(6,0 Ah)
Pengisi daya	DC18RC / DC18RD / DC18RE / DC18SD / DC18SE / DC18SF / DC18SH

- Sebagian kartrid baterai dan pengisi daya di atas mungkin tidak tersedia, bergantung pada kawasan tempat tinggal Anda.

⚠️ PERINGATAN: Gunakan hanya kartrid baterai dan pengisi daya yang tercantum di atas. Penggunaan kartrid baterai dan pengisi daya lain dapat mengakibatkan cedera dan/atau kebakaran.

Simbol

Berikut adalah daftar simbol yang digunakan untuk alat ini.

Pastikan Anda memahami artinya sebelum menggunakan alat.



- Baca buku petunjuk.



- Peringatan: permukaan panas!
Jangan menyentuh sekitar simbol ini. Menyentuh permukaan ini dapat mengakibatkan luka bakar atau cedera.



- Hanya untuk negara-negara UE
Akibat adanya komponen berbahaya dalam peralatan, limbah peralatan listrik dan elektronik, aki dan baterai dapat memiliki dampak negatif pada lingkungan dan kesehatan manusia.
Jangan buang peralatan listrik dan elektronik atau baterai bersama limbah rumah tangga!
Sesuai dengan Petunjuk Eropa tentang limbah peralatan listrik dan elektronik dan tentang aki dan baterai serta limbah aki dan baterai, serta penyesuaiannya terhadap undang-undang nasional, limbah peralatan listrik, baterai dan aki harus disimpan secara terpisah dan dikirim ke tempat pengumpulan terpisah untuk sampah kota, beroperasi sesuai dengan peraturan tentang perlindungan lingkungan.
Hal ini ditunjukkan dengan simbol tempat sampah bersilang yang ditempatkan pada peralatan.

Peringatan keselamatan umum mesin listrik

⚠️ PERINGATAN: Bacalah semua peringatan keselamatan, petunjuk, ilustrasi dan spesifikasi yang disertakan bersama mesin listrik ini. Kelalaian untuk mematuhi semua petunjuk yang tercantum di bawah ini dapat menyebabkan sengatan listrik, kebakaran dan/atau cedera serius.

Simpanlah semua peringatan dan petunjuk untuk acuan di masa depan.

Istilah "mesin listrik" dalam semua peringatan mengacu pada mesin listrik yang dijalankan dengan sumber listrik jala-jala (berkabel) atau baterai (tanpa kabel).

Keselamatan tempat kerja

1. **Jaga tempat kerja selalu bersih dan berpenerangan cukup.** Tempat kerja yang berantakan dan gelap mengundang kecelakaan.
2. **Jangan gunakan mesin listrik dalam lingkungan yang mudah meledak, misalnya jika ada cairan, gas, atau debu yang mudah menyala.** Mesin listrik menimbulkan bunga api yang dapat menyalakan debu atau uap tersebut.
3. **Jauhkan anak-anak dan orang lain saat menggunakan mesin listrik.** Bila perhatian terpecah, anda dapat kehilangan kendali.

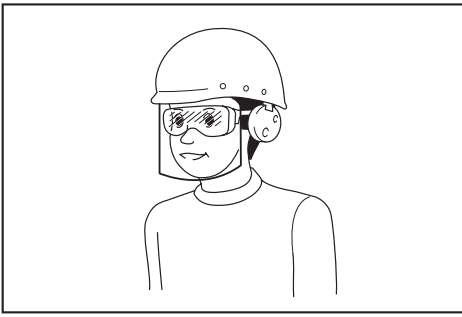
Keamanan Kelistrikan

1. **Steker mesin listrik harus cocok dengan stopkontak.** Jangan sekali-kali mengubah steker dengan cara apa pun. Jangan menggunakan steker adaptor dengan mesin listrik terbumi (dibumikan). Steker yang tidak diubah dan stopkontak yang cocok akan mengurangi risiko sengatan listrik.
2. **Hindari sentuhan tubuh dengan permukaan terbumi atau yang dibumikan seperti pipa, radiator, kompor, dan kulkas.** Risiko sengatan listrik bertambah jika tubuh Anda terbumikan atau dibumikan.
3. **Jangan membiarkan mesin listrik kehujanan atau kebasahan.** Air yang masuk ke dalam mesin listrik akan meningkatkan risiko sengatan listrik.
4. **Jangan menyalahgunakan kabel.** Jangan sekali-kali menggunakan kabel untuk membawa, menarik, atau mencabut mesin listrik dari stopkontak. Jauhkan kabel dari panas, minyak, tepian tajam, atau bagian yang bergerak. Kabel yang rusak atau kusut memperbesar risiko sengatan listrik.
5. **Bila menggunakan mesin listrik di luar ruangan, gunakan kabel ekstensi yang sesuai untuk penggunaan di luar ruangan.** Penggunaan kabel yang sesuai untuk penggunaan luar ruangan mengurangi risiko sengatan listrik.
6. **Jika mengoperasikan mesin listrik di lokasi lembap tidak terhindarkan, gunakan pasokan daya yang dilindungi peranti imbasan arus (residual current device - RCD).** Penggunaan RCD mengurangi risiko sengatan listrik.

7. **Mesin listrik dapat menghasilkan medan magnet (EMF) yang tidak berbahaya bagi pengguna.** Namun, pengguna alat pacu jantung atau peralatan medis sejenisnya harus berkonsultasi dengan produsen peralatan tersebut dan/atau dokter mereka sebelum mengoperasikan mesin listrik ini.

Keselamatan Diri

1. **Jaga kewaspadaan, perhatikan pekerjaan Anda dan gunakan akal sehat bila menggunakan mesin listrik.** Jangan menggunakan mesin listrik saat Anda lelah atau di bawah pengaruh obat bius, alkohol, atau obat. Sekejap saja lalai saat menggunakan mesin listrik dapat menyebabkan cedera badan serius.
2. **Gunakan alat pelindung diri. Selalu gunakan pelindung mata.** Peralatan pelindung seperti masker debu, sepatu pengaman anti-selip, helm pengaman, atau pelindung telinga yang digunakan untuk kondisi yang sesuai akan mengurangi risiko cedera badan.
3. **Cegah penyalaaan yang tidak disengaja. Pastikan bahwa sakelar berada dalam posisi mati (off) sebelum menghubungkan mesin ke sumber daya dan/atau paket baterai, atau mengangkat atau membawanya.** Membawa mesin listrik dengan jari Anda pada sakelarnya atau mengalirkan listrik pada mesin listrik yang sakelarnya hidup (on) akan mengundang kecelakaan.
4. **Lepaskan kunci-kunci penyetel sebelum menghidupkan mesin listrik.** Kunci-kunci yang masih terpasang pada bagian mesin listrik yang berputar dapat menyebabkan cedera.
5. **Jangan meraih terlalu jauh. Jagalah pijakan dan keseimbangan sepanjang waktu.** Hal ini memungkinkan kendali yang lebih baik atas mesin listrik dalam situasi yang tidak diharapkan.
6. **Kenakan pakaian yang memadai. Jangan memakai pakaian yang longgar atau perhiasan. Jaga jarak antara rambut dan pakaian Anda dengan komponen mesin yang bergerak.** Pakaian yang longgar, perhiasan, atau rambut yang panjang dapat tersangkut pada komponen yang bergerak.
7. **Jika tersedia fasilitas untuk menghisap dan mengumpulkan debu, pastikan fasilitas tersebut terhubung listrik dan digunakan dengan baik.** Penggunaan pembersih debu dapat mengurangi bahaya yang terkait dengan debu.
8. **Jangan sampai Anda lengah dan mengabaikan prinsip keselamatan mesin ini hanya karena sudah sering mengoperasikannya dan sudah merasa terbiasa.** Tindakan yang lalai dapat menyebabkan cedera berat dalam sepekerian detik saja.
9. **Selalu kenakanacamata pelindung untuk melindungi mata dari cedera saat menggunakan mesin listrik.** Kacamata harus sesuai dengan ANSI Z87.1 di Amerika Serikat, EN 166 di Eropa, atau AS/NZS 1336 di Australia/Selandia Baru. Di Australia/Selandia Baru, secara hukum Anda juga diwajibkan mengenakan pelindung wajah untuk melindungi wajah Anda.



Menjadi tanggung jawab atasan untuk menerapkan penggunaan alat pelindung keselamatan yang tepat bagi operator mesin dan orang lain yang berada di area kerja saat itu.

Penggunaan dan pemeliharaan mesin listrik

1. **Jangan memaksa mesin listrik. Gunakan mesin listrik yang tepat untuk keperluan Anda.** Mesin listrik yang tepat akan menuntaskan pekerjaan dengan lebih baik dan aman pada kecepatan sesuai rancangannya.
2. **Jangan gunakan mesin listrik jika sakelar tidak dapat menyala dan mematakannya.** Mesin listrik yang tidak dapat dikendalikan dengan sakelarnya adalah berbahaya dan harus diperbaiki.
3. **Cabut steker dari sumber listrik dan/atau lepas paket baterai, jika dapat dilepas, dari mesin listrik sebelum melakukan penyetelan apa pun, mengganti aksesoris, atau menyimpan mesin listrik.** Langkah keselamatan preventif tersebut mengurangi risiko hidupnya mesin secara tak sengaja.
4. **Simpan mesin listrik jauh dari jangkauan anak-anak dan jangan biarkan orang yang tidak paham mengenai mesin listrik tersebut atau petunjuk ini menggunakan mesin listrik.** Mesin listrik sangat berbahaya di tangan pengguna yang tak terlatih.
5. **Rawatlah mesin listrik dan aksesoris. Periksa apakah ada komponen bergerak yang tidak lurus atau macet, komponen yang pecah, dan kondisi-kondisi lain yang dapat memengaruhi pengoperasian mesin listrik. Jika rusak, perbaiki mesin listrik terlebih dahulu sebelum digunakan.** Banyak kecelakaan disebabkan oleh kurangnya pemeliharaan mesin listrik.
6. **Jaga agar mesin pemotong tetap tajam dan bersih.** Mesin pemotong yang terawat baik dengan mata pemotong yang tajam tidak mudah macet dan lebih mudah dikendalikan.
7. **Gunakan mesin listrik, aksesoris, dan mata mesin, dll. sesuai dengan petunjuk ini, dengan memperhitungkan kondisi kerja dan jenis pekerjaan yang dilakukan.** Penggunaan mesin listrik untuk penggunaan yang lain dari peruntukan dapat menimbulkan situasi berbahaya.
8. **Jagalah agar gagang dan permukaan pegangan tetap kering, bersih, dan bebas dari minyak dan pelumas.** Gagang dan permukaan pegangan yang licin tidak mendukung keamanan penanganan dan pengendalian mesin dalam situasi-situasi tak terduga.

9. **Ketika menggunakan mesin, jangan menggunakan sarung tangan kain yang dapat tersangkut.** Sarung tangan kain yang tersangkut pada komponen bergerak dapat mengakibatkan cedera pada pengguna.

Penggunaan dan pemeliharaan mesin bertenaga baterai

1. **Isi ulang baterai hanya dengan pengisi daya yang ditentukan oleh pabrikan.** Pengisi daya yang cocok untuk satu jenis paket baterai dapat menimbulkan risiko kebakaran ketika digunakan untuk paket baterai yang lain.
2. **Gunakan mesin listrik hanya dengan paket baterai yang telah ditentukan secara khusus.** Penggunaan paket baterai lain dapat menimbulkan risiko cedera dan kebakaran.
3. **Ketika paket baterai tidak digunakan, jauhkan dari benda logam lain, seperti penjepit kertas, uang logam, kunci, paku, sekrup atau benda logam kecil lainnya, yang dapat menghubungkan satu terminal ke terminal lain.** Hubungan singkat terminal baterai dapat menyebabkan luka bakar atau kebakaran.
4. **Pemakaian yang salah, dapat menyebabkan kealuannya cairan dari baterai; hindari kontak. Jika terjadi kontak secara tidak sengaja, bilas dengan air. Jika cairan mengenai mata, cari bantuan medis.** Cairan yang keluar dari baterai bisa menyebabkan iritasi atau luka bakar.
5. **Jangan menggunakan paket baterai atau mesin yang sudah rusak atau telah diubah.** Baterai yang rusak atau telah diubah dapat menyebabkan hal-hal yang tidak dapat diprediksi yang dapat menyebabkan kebakaran, ledakan atau risiko cedera.
6. **Jangan membiarkan paket baterai atau mesin dekat dengan api atau suhu yang berlebihan.** Pajanan api atau suhu di atas 130 °C dapat menyebabkan ledakan.
7. **Ikuti semua petunjuk pengisian daya dan jangan mengisi daya paket baterai atau mesin di luar rentang suhu yang ditentukan di panduan.** Mengisi daya secara tidak tepat atau pada suhu di luar rentang yang ditentukan dapat merusak baterai dan meningkatkan risiko kebakaran.

Servis

1. **Berikan mesin listrik untuk diperbaiki hanya kepada oleh teknisi yang berkualifikasi dengan menggunakan hanya suku cadang pengganti yang serupa.** Hal ini akan menjamin terjaganya keamanan mesin listrik.
2. **Jangan pernah memperbaiki paket baterai yang sudah rusak.** Perbaikan paket baterai harus dilakukan hanya oleh produsen atau penyedia servis resmi.
3. **Patuhi petunjuk pelumasan dan penggantian aksesoris.**

Peringatan keselamatan terkait pompa vakum nirkabel

1. Perangkat listrik adalah mesin yang digunakan untuk evakuasi pendinginan dan perlengkapan AC serta vessel pemulihan. Jangan gunakan untuk keperluan lain. Hal itu dapat mengakibatkan kecelakaan.
2. Sebelum digunakan, periksa selalu perangkat listrik dari kebocoran oli. Tidak memeriksanya dapat mengakibatkan kebakaran.
3. Periksa tingkat dan kondisi oli (penurunan kualitas, dll.) untuk memastikan pekerjaan yang aman dan efisien.
4. Performa yang memadai mungkin tidak dapat dicapai dalam lingkungan yang sangat panas atau dingin.

SIMPAN PETUNJUK INI.

⚠PERINGATAN: JANGAN abaikan kepatuhan ketat terhadap peraturan keselamatan untuk produk ini karena kemudahannya dan telah mengetahuinya (telah sering menggunakan produk).

PENYALAHGUNAAN atau tidak mematuhi aturan keamanan yang tercantum dalam buku petunjuk ini dapat menyebabkan cedera berat.

Petunjuk keselamatan penting untuk kartrid baterai

1. Sebelum menggunakan kartrid baterai, baca semua petunjuk dan tanda peringatan pada (1) pengisi daya baterai, (2) baterai, dan (3) produk yang menggunakan baterai.
2. Jangan bongkar kartrid baterai.
3. Jika waktu aktif menjadi sangat singkat, segera hentikan penggunaan. Kondisi tersebut dapat menimbulkan risiko panas berlebihan, kebakaran, dan bahkan ledakan.
4. Jika elektrolit terkena mata, basuh dengan air bersih dan segera hubungi dokter. Kondisi tersebut dapat mengakibatkan kebutaan.
5. Jangan buat hubungan singkat pada kartrid baterai:
 - (1) Jangan sentuh terminal dengan konduktor.
 - (2) Jangan simpan kartrid baterai di dalam wadah bersama benda logam lain, seperti paku, koin, dsb.
 - (3) Jangan biarkan kartrid baterai terkena air atau hujan.Hubungan singkat pada baterai dapat mengakibatkan aliran arus yang besar, panas berlebihan, kebakaran, bahkan kerusakan.
6. Jangan simpan maupun gunakan perangkat dan kartrid baterai di lokasi yang suhunya dapat mencapai atau melebihi 50°C.
7. Jangan bakar kartrid baterai meskipun sudah rusak parah atau benar-benar usang. Kartrid baterai dapat meledak dalam api.
8. Hati-hati agar baterai tidak terjatuh atau terbentur.
9. Jangan gunakan baterai rusak.

10. Patuhi peraturan setempat terkait pembuangan baterai.
11. Baterai lithium-ion yang disertakan harus memenuhi persyaratan Perundang-undangan Barang Berbahaya. Ketika akan membuang kartrid baterai, lepaskan kartrid dari perangkat lalu buanglah di tempat yang aman. Patuhi peraturan setempat terkait pembuangan baterai.
12. Hanya gunakan baterai dengan produk yang ditentukan oleh Makita.
13. Jika perangkat tidak akan digunakan untuk waktu lama, baterai harus dilepaskan dari perangkat.
14. Pada saat dan setelah digunakan, kartrid baterai bisa menjadi panas yang dapat mengakibatkan luka bakar atau luka bakar akibat suhu rendah.
15. Jangan sentuh terminal perangkat segera setelah digunakan karena bisa cukup panas untuk mengakibatkan luka bakar.
16. Jangan biarkan serpihan, debu, atau tanah menempel pada terminal, lubang, dan tempat kartrid baterai. Ini dapat melemahkan kinerja atau merusak perangkat atau kartrid baterai.
17. Kecuali jika perangkat dapat digunakan di dekat saluran listrik tegangan tinggi, jangan gunakan kartrid baterai di dekat saluran listrik tegangan tinggi.
18. Jauhkan baterai dari jangkauan anak-anak.

SIMPAN PETUNJUK INI.

⚠PERHATIAN: Gunakan hanya baterai Makita asli. Penggunaan baterai Makita yang tidak asli atau baterai yang telah berubah bentuk, dapat mengakibatkan baterai meledak serta menimbulkan api, cedera fisik, dan kerusakan. Tindakan tersebut juga akan membatalkan jaminan Makita untuk peralatan maupun pengisi daya Makita.

Kiat-kiat untuk memaksimalkan masa pakai baterai

1. Isi daya kartrid baterai sebelum benar-benar habis. Selalu hentikan penggunaan perangkat dan isi daya kartrid baterai bila daya perangkat terlihat lemah.
2. Jangan isi ulang daya kartrid baterai yang telah terisi penuh daya. Pengisian daya yang berlebihan dapat mempersingkat masa pakai baterai.
3. Isi daya kartrid baterai pada suhu ruang 10°C – 40°C. Biarkan kartrid baterai panas menjadi dingin sebelum mengisi daya.
4. Ketika tidak digunakan, lepaskan kartrid baterai dari perangkat atau pengisi daya.
5. Isi ulang daya kartrid baterai jika Anda tidak menggunakannya dalam waktu lama (lebih dari enam bulan).

KETERANGAN KOMPONEN

► **Gbr.1:**

- | | |
|---------------------------------------|-----------------------------|
| 1. Port hisap 3/8" | 10. Alas |
| 2. Katup balast gas | 11. Motor |
| 3. Tutup pengisian/
Pembuangan oli | 12. Lampu LED |
| 4. Port hisap 5/16" | 13. Tombol daya |
| 5. Kaca pengamat | 14. Pelindung baterai |
| 6. Katup penguras | 15. Dudukan baterai |
| 7. Tangki oli | 16. Baterai (di port Kiri) |
| 8. Area di sekitar pompa | 17. Baterai (di port Kanan) |
| 9. Katup solenoid | 18. Gagang |
| | 19. Tutup kabel |

KETERANGAN FUNGSI

⚠PERHATIAN: Selalu pastikan pompa dimatikan dan kartrid baterai dilepas sebelum, menyesuaikan atau memeriksa fungsi pada pompa.

Memasang atau melepaskan kartrid baterai

⚠PERHATIAN: Selalu matikan pompa sebelum memasang atau melepaskan kartrid baterai.

⚠PERHATIAN: Pegang pompa dan kartrid baterai dengan erat saat memasang atau melepas kartrid baterai. Kelalaian dalam memegang pompa dan kartrid baterai dengan erat dapat menyebabkan terlepas dari tangan Anda dan menimbulkan kerusakan pompa dan kartrid baterai serta menimbulkan cedera.

► **Gbr.2:**

- | | |
|--------------------|--------------------|
| 1. Indikator merah | 3. Kartrid baterai |
| 2. Tombol | |

Untuk melepaskan kartrid baterai, geser dari pompa sambil menggeser tombol di bagian depan kartrid.

Untuk memasang kartrid baterai, sejajarkan lidah pada kartrid baterai dengan alur pada dudukannya dan geser hingga terpasang. Pasang hingga terkunci pada tempatnya dan terdengar bunyi klik. Jika indikator merah di bagian atas tombol masih terlihat, berarti baterai belum terkunci dengan benar.

⚠PERHATIAN: Pasang selalu kartrid baterai hingga indikator merah tidak terlihat. Jika tidak dilakukan, baterai dapat terjatuh dari pompa tanpa disengaja dan mengakibatkan cedera pada Anda atau orang lain.

⚠PERHATIAN: Jangan memasang kartrid baterai secara paksa. Jika kartrid tidak dapat digeser dengan mudah, berarti cara pemasangannya salah.

Sistem perlindungan baterai

Pompa atau baterai ini dilengkapi dengan sistem perlindungan baterai. Sistem ini secara otomatis memutus daya menuju motor untuk memperpanjang masa pakai baterai.

Pompa akan secara otomatis berhenti penggunaannya jika pompa dan/atau baterai ditempatkan pada salah satu kondisi berikut:

Beban berlebih:

Pompa atau baterai dioperasikan dengan cara yang dapat menyebabkan terjadinya arus tinggi yang tidak normal.

Dalam situasi ini, matikan pompa dan hentikan penggunaan yang menyebabkan pompa menanggung beban berlebih. Lalu hidupkan pompa untuk dimulai ulang.

Jika pompa tidak hidup, baterai akan menjadi kepanasan. Dalam situasi ini, biarkan baterai sampai dingin sebelum menghidupkan kembali pompa.

Tegangan baterai rendah:

Sisa kapasitas baterai terlalu rendah sehingga pompa tidak dapat dioperasikan. Dalam situasi ini, lepaskan baterai lalu isi ulang.

Menunjukkan kapasitas baterai yang tersisa

Hanya untuk kartrid baterai dengan indikator

► **Gbr.3:**

- | | |
|--------------------|-----------------|
| 1. Lampu indikator | 2. Tombol check |
|--------------------|-----------------|

Tekan tombol check pada kartrid baterai untuk menunjukkan kapasitas baterai yang tersisa. Lampu indikator menyala selama beberapa detik.

Lampu indikator			Kapasitas yang tersisa
Menyala	Mati	Berkedip	
■	□	◐	75% hingga 100%
■	■	■	50% hingga 75%
■	■	□	25% hingga 50%
■	□	□	0% hingga 25%
◐	□	□	Isi daya baterai.
■	■	□	Baterai mungkin tidak berfungsi.
□	□	■	

CATATAN: Tergantung kondisi penggunaan dan suhu lingkungannya, penunjukan mungkin saja sedikit berbeda dari kapasitas sebenarnya.

CATATAN: Lampu indikator awal (paling kiri) akan berkedip ketika sistem perlindungan baterai bekerja.

PENGOPERASIAN

Pompa belum diberi oli ketika baru dibeli. Lihat "Menambah oli" lalu tambahkan oli.

⚠️PERINGATAN: Mengoperasikan pompa dalam keadaan kurang oli akan merusak pompa. Selain itu, tangki oli akan menjadi panas dan dapat mengakibatkan luka bakar atau kecelakaan lainnya.

Menambah oli

► Gbr.4:

1. Tutup pengisian/
Pembuangan oli
 2. Garis tingkat
 3. Kaca pengamat
 4. Tangki oli
1. Lepas tutup pengisian/pembuangan oli lalu tambahkan oli yang diberikan melalui port pengisian.

PERHATIAN: Gunakan selalu oli asli Makita agar kinerja pompa selalu terjaga.

2. Tambahkan oli hingga tingkat oli berada di antara garis tingkat atas dan bawah pada kaca pengamat.

PERHATIAN: Tingkat oli adalah penting. Mengoperasikan pompa dalam kondisi tingkat oli tidak berada di antara garis tingkat atas dan bawah dapat mengakibatkan kerusakan.

Memeriksa kinerja

► Gbr.5:

1. Selang pengisian
daya (kuning)
 2. Port hisap
 3. Pompa vakum
 4. Manifold
 5. Katup samping bawah
 6. Tutup
1. Sambungkan katup samping bawah pada manifold dan port hisap pompa dengan selang pengisian daya.
 2. Tutup katup samping bawah pada manifold.
 3. Hidupkan pompa. Jika tekanan manifold menunjukkan vakum -0,09 hingga -0,1 MPa dalam 30 detik, artinya pompa beroperasi dengan baik.
 4. Matikan pompa.

Pengoperasian

► Gbr.6:

1. Selang pengisian
daya (kuning)
 2. Port hisap
 3. Katup balast gas
 4. Pompa vakum
 5. Lampu LED
 6. Baterai
 7. Selang pengisian
daya (biru)
 8. Port servis (Sisi
tekanan rendah)
 9. Unit luar ruangan
 10. Port servis (Sisi
tekanan tinggi)
 11. Selang pengisian
daya (merah)
 12. Tutup
 13. Katup samping atas
 14. Manifold
 15. Katup samping bawah
 16. Tutup
1. Sambungkan pompa, manifold, dan unit luar ruangan dengan selang.

CATATAN: Bila ukuran port servis pada unit adalah 1/4", gunakan adaptor dengan diameter berbeda yang tersedia.

2. Pastikan katup samping atas dan katup samping bawah pada manifold telah tertutup.
3. Pasang baterai pada pompa. (Lihat "Memasang atau melepaskan kartrid baterai" untuk metode pemasangan.)
4. Buka katup balast gas.
5. Hidupkan pompa. Lampu LED (MERAH) akan menyala dan motor akan beroperasi.
6. Buka katup samping bawah dan katup samping atas pada manifold.
7. Setelah 5 hingga 10 menit, tutup katup balast gas.

CATATAN: Katup balast gas digunakan untuk membuang air (uap air) dan gas terkondensasi (yang dihisap ke dalam pompa selama pembuangan) dari oli. Jika gas yang terkondensasi mencair dan memasuki oli, hal itu dapat mengakibatkan pengurangan pelumasan, dan memperpendek masa pakai pompa dan segel. Jika udara masuk dari katup balast gas, maka gas yang terkondensasi tetap tidak akan berubah, dan terbuang bersama udara.

Disarankan untuk memanaskan pompa sebelum dioperasikan karena semakin tinggi suhu pompa, semakin tinggi efisiensi balast gas yang didapatkan.

8. Bila kapasitas tersisa pada baterai (di port Kiri) kosong, catu daya secara otomatis akan berganti baterai (di port Kanan). Lepaskan baterai Kiri (L), lalu ganti dengan baterai cadangan. Bila kapasitas tersisa pada baterai Kanan (R) kosong, catu daya akan beralih ke baterai Kiri (L). Pompa dapat dioperasikan untuk waktu lama dengan menggunakan baterai cadangan yang sudah terisi berulang-ulang untuk L-R-L-R.

⚠️PERINGATAN: Pompa akan menjadi panas selama pengoperasian dan segera setelah dihentikan. Jangan sentuh pompa saat panas. Tindakan tersebut dapat mengakibatkan luka bakar atau kecelakaan lainnya.

CATATAN: Ketika suhu dingin (5°C atau kurang), motor mungkin tidak dapat beroperasi. Dalam kasus ini, bawalah pompa ke dalam ruangan dan biarkan sampai hangat.

9. Bila vakum yang ditentukan (lihat petunjuk yang diberikan oleh produsen penyejuk udara) telah tercapai, tutup katup samping bawah pada manifold.
10. Matikan pompa.

Uji kedap udara

Tidak ada kebocoran jika tekanan manifold tidak meningkat selama 5 menit atau lebih setelah meninggalkan pompa dan manifold.

CATATAN: Bila kapasitas tersisa pada baterai rendah, lampu LED akan mati, lalu pada saat yang sama bunyi alarm panjang akan terdengar. Sekitar dua menit kemudian motor akan berhenti. Bunyi alarm kemudian akan berubah menjadi 'bip' dengan interval pendek yang memberi tahu bahwa motor berhenti dan 30 detik kemudian bunyi 'bip' akan berhenti. Akan tetapi jangan tunggu sampai motor berhenti (atau bunyi alarm berubah menjadi 'bip' pendek), tutuplah katup hisap pada perangkat dan katup samping tekanan rendah pada manifold.

Pastikan pompa dalam keadaan dimatikan, lepaskan baterai, kemudian isi daya baterai atau ganti dengan baterai cadangan.

- Lihat tabel berikut untuk waktu pengoperasian baterai.

Waktu pengoperasian (pedoman)

Baterai	Waktu pengoperasian per keping
BL1860B	30 mnt
BL1850B	25 mnt
BL1840B	20 mnt
BL1830B	15 mnt

- Setelah selesai bekerja, keluarkan baterai dan pasang penutup yang tersedia.

PERHATIAN: Ketika memindahkan, mengoperasikan atau menyimpan, jangan letakkan perangkat dengan posisi miring atau terbalik. Hal itu dapat mengakibatkan kebocoran oli yang berasal dari tutup pengisian oli/ventilasi.

PEMELIHARAAN

PERHATIAN: Selalu pastikan pompa dimatikan dan kartrid baterai dilepas sebelum melakukan pemeriksaan dan pemeliharaan.

PEMBERITAHUAN: Jangan gunakan gasolin, bensin, tiner, alkohol, atau sejenisnya. Perangkat dapat berubah warna, berubah bentuk atau retak.

Untuk mempertahankan KEAMANAN dan KEANDALAN produk, perbaikan, pemeliharaan, atau penyesuaian lain apa pun harus dilakukan di Pusat Servis Resmi atau Pabrik Makita yang selalu menggunakan komponen pengganti Makita.

Memeriksa oli

► **Gbr.7:**

1. Garis tingkat
 2. Kaca pengamat
- Selalu periksa tingkat dan kondisi oli (penurunan kualitas, dll.) sebelum menggunakan pompa.

CATATAN: Tambahkan oli hingga tingkat oli berada di antara garis tingkat atas dan bawah pada kaca pengamat. Jumlah oli adalah 300 ml.

CATATAN: Tingkat oli adalah penting. Kerusakan bisa timbul jika tingkat oli tidak berada antara garis tingkat atas dan bawah.

Mengganti oli

► **Gbr.8:**

1. Katup penguras
1. Operasikan pompa selama 1 atau 2 menit untuk memanaskan oli.
 2. Matikan pompa.
 3. Lepaskan katup penguras lalu kuras oli.
 4. Lihat "Menambah oli" lalu tambahkan oli baru.
- Buang oli sesuai dengan peraturan setempat.

CATATAN: Sebaiknya ganti oli setelah 20 jam penggunaan untuk melindungi komponen pompa dari kontaminan yang masuk ke pompa.

Bila memvakum sistem pendinginan lama, ganti oli setelah setiap penggunaan.

Membersihkan pompa

1. Bila oli sangat kotor, ganti oli, lalu operasikan pompa selama 3 hingga 5 menit.
 2. Kuras oli lalu tambahkan oli baru.
- Jika oli yang dikuras masih kotor, ulangi proses pembersihan ini dua atau tiga kali.

AKSESORI OPSIONAL

PERHATIAN: Aksesori atau perangkat tambahan ini disarankan untuk digunakan bersama perangkat Makita yang ditentukan dalam buku petunjuk ini. Penggunaan aksesori atau perangkat tambahan lain bisa menimbulkan risiko cedera. Gunakan hanya aksesori atau perangkat tambahan yang sesuai menurut peruntukannya.

Jika Anda memerlukan bantuan secara lebih terperinci mengenai aksesori ini, hubungi Pusat Layanan Makita setempat.

- Sabuk bahu
- Oli pompa vakum 300 ml
- Selang pompa vakum
- Katup pompa vakum dengan pengukur
- Baterai dan pengisi daya asli Makita

⚠PERHATIAN: Ketika menggunakan sabuk bahu:

- Jangan gunakan sabuk bahu jika gantungannya rusak atau cacat.
- Gantungan hanya boleh digunakan dengan sabuk bahu Makita. Jangan memasang perangkat lain. Penggunaan selain dari peruntukannya dapat mengakibatkan kecelakaan atau cedera.
- Sabuk bahu disediakan untuk membawa pompa pada bahu Anda. Jangan gunakan untuk tujuan lain, misalnya sebagai penahan jatuh.
- Jangan memberi beban berlebihan pada sabuk bahu. Hal itu dapat merusak sabuk bahu atau komponen penahan yang dapat mengakibatkan cedera.
- Ketika menggunakan sabuk bahu, pasanglah gantungan pada pegangannya. Pastikan sabuk bahu terpasang kuat ke gantungan dan menahan pegangan pompa ketika dibawa menggunakan sabuk bahu.

CATATAN: Beberapa item dalam daftar mungkin disertakan dalam kemasan perangkat sebagai aksesori standar. Item ini dapat berbeda di tiap negara.

SPEKIFIKASI

Model:	DVP181
Voltan terkadar	D.C. 18 V
Pam	Pam rotari dua peringkat
Sesaran udara bebas	113 L/min
Vakum muktamad	3 Pa
Kapasiti minyak	300 ml
Ambilan	5/16", 3/8" flare jantan
Dimensi	383 mm (L) × 193 mm (W) × 210 mm (H)
Berat bersih (dengan dua bateri BL1860B)	8.2 kg

- Disebabkan program penyelidikan dan pembangunan kami yang berterusan, spesifikasi di dalam ini adalah tertakluk kepada perubahan tanpa notis.
- Spesifikasi dan kartrij bateri mungkin berbeza mengikut negara.
- Berat, dengan kartrij bateri, menurut Tatacara EPTA 01/2014

Kartrij bateri dan pengecas yang boleh digunakan

Kartrij bateri	BL1830B(3.0 Ah) / BL1840B(4.0 Ah) / BL1850B(5.0 Ah) / BL1860B(6.0 Ah)
Pengecas	DC18RC / DC18RD / DC18RE / DC18SD / DC18SE / DC18SF / DC18SH

- Sesetengah kartrij bateri dan pengecas yang disenaraikan di atas mungkin tidak boleh didapati bergantung pada rantau tempat tinggal anda.

⚠️ AMARAN: Hanya gunakan kartrij bateri dan pengecas yang disenaraikan di atas. Penggunaan apa-apa kartrij bateri dan pengecas lain boleh menyebabkan kecederaan dan/atau kebakaran.

Simbol

Berikut menunjukkan simbol-simbol yang digunakan untuk kelengkapan.

Pastikan anda memahami maknanya sebelum digunakan.



- Baca manual arahan.



- Amaran: permukaan panas!
Jangan sentuh sekitar simbol ini. Menyentuh permukaan ini boleh menyebabkan lecuran atau kecederaan.



- Hanya untuk negara-negara EU
Disebabkan kehadiran komponen berbahaya dalam peralatan, sisa peralatan elektrik dan elektronik, akumulator dan bateri boleh memberi kesan negatif terhadap persekitaran dan kesihatan manusia.
Jangan buang alat elektrik dan elektronik atau bateri bersama dengan bahan buangan isi rumah!
Mengikut Arahan Eropah mengenai sisa peralatan elektrik dan elektronik dan mengenai akumulator dan bateri serta penyesuaian dengan undang-undang negara, sisa peralatan elektrik, bateri dan akumulator hendaklah disimpan secara berasingan dan dihantar ke tempat pengumpulan berasingan untuk sisa perbandaran, beroperasi mengikut peraturan perlindungan persekitaran.
Ini ditunjukkan oleh simbol tong sampah beroda yang bersilang pada peralatan.

Amaran keselamatan umum alat kuasa

⚠️ AMARAN: Baca semua amaran keselamatan, arahan, ilustrasi dan spesifikasi yang disediakan dengan alat kuasa ini. Kegagalan mengikut amaran dan arahan boleh menyebabkan kejutan elektrik, kebakaran dan/atau kecederaan serius.

Simpan semua amaran dan arahan untuk rujukan masa depan.

Istilah "alat kuasa" dalam amaran merujuk kepada alat kuasa yang menggunakan tenaga elektrik (kabel) atau alat kuasa yang menggunakan bateri (tanpa kord).

Keselamatan kawasan kerja

1. **Pastikan kawasan kerja bersih dan terang.** Kawasan berselerak atau gelap mengundang kemalangan.
2. **Jangan kendalikan alat kuasa dalam keadaan yang mudah meletup, seperti dalam kehadiran cecair, gas atau habuk yang mudah terbakar.** Alat kuasa menghasilkan percikan api yang boleh menyalakan debu atau wasap.
3. **Jauhkan kanak-kanak dan orang ramai semasa mengendalikan alat kuasa.** Gangguan boleh menyebabkan anda hilang kawalan.

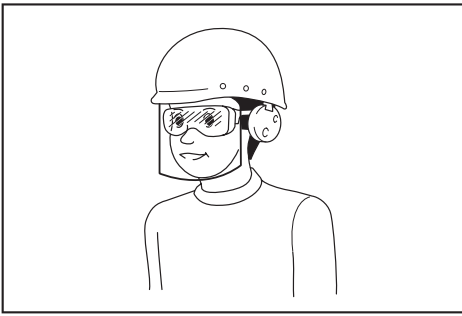
Keselamatan elektrik

1. **Palam alat kuasa mesti sepadan dengan soket.** Jangan ubah suai palam dalam apa cara sekalipun. Jangan gunakan sebarang palam penyusai dengan alat kuasa terbumi. Palam yang tidak diubah suai dan soket yang sepadan akan mengurangkan risiko kejutan elektrik.
2. **Elakkan sentuhan badan dengan permukaan terbumi, seperti paip, radiator, dapur dan peti sejuk.** Terdapat peningkatan risiko kejutan elektrik jika elektrik terbumi terkena badan anda.
3. **Jangan biarkan alat kuasa terkena hujan atau basah.** Air yang memasuki alat kuasa akan meningkatkan risiko kejutan elektrik.
4. **Jangan salah gunakan kord.** Jangan gunakan kord untuk membawa, menarik atau mencabut palam alat kuasa. Jauhkan kord dari haba, minyak, bucu tajam atau bahagian yang bergerak. Kord yang rosak atau tersimpul meningkatkan risiko kejutan elektrik.
5. **Semasa mengendalikan alat kuasa di luar, gunakan kord sambungan yang bersesuaian untuk kegunaan luar.** Penggunaan kord yang sesuai untuk kegunaan luar mengurangkan risiko kejutan elektrik.
6. **Sekiranya pengendalian alat kuasa di lokasi lembap tidak dapat dielakkan, gunakan bekalan peranti arus sisa (RCD) yang dilindungi.** Penggunaan RCD mengurangkan risiko kejutan elektrik.

7. **Alat kuasa boleh menghasilkan medan elektromagnetik (EMF) yang tidak berbahaya kepada pengguna.** Walau bagaimanapun, pengguna perentak jantung atau peranti perubatan yang serupa harus menghubungi pembuat peranti mereka dan/atau doktor untuk nasihat sebelum mengendalikan alat kuasa ini.

Keselamatan diri

1. **Sentiasa berwaspada, perhatikan apa yang anda lakukan dan guna akal budi semasa mengendalikan alat kuasa.** Jangan gunakan alat kuasa semasa anda letih atau di bawah pengaruh dadah, alkohol atau ubat. Kelekaan seketika semasa mengendalikan alat kuasa boleh menyebabkan kecederaan diri yang serius.
2. **Gunakan peralatan pelindung diri. Sentiasa pakai pelindung mata.** Peralatan pelindung seperti topeng debu, kasut keselamatan tak mudah tergelincir, topi keselamatan atau pelindung pendengaran yang digunakan untuk keadaan yang sesuai akan mengurangkan kecederaan diri.
3. **Elakkan permulaan yang tidak disengajakan.** Pastikan suis ditutup sebelum menyambung kepada sumber kuasa dan/atau pek bateri, semasa mengangkat atau membawa alat. Membawa alat kuasa dengan jari anda pada suis atau mentenagakan alat kuasa dengan suis pada kedudukan hidup mengundang kemalangan.
4. **Alihkan sebarang kunci atau sepana pelaras sebelum menghidupkan alat kuasa.** Sepana atau kunci yang ditinggalkan pada bahagian berputar alat kuasa boleh menyebabkan kecederaan diri.
5. **Jangan lampau jangkau. Jaga pijakan dan keseimbangan yang betul pada setiap masa.** Ini membolehkan kawalan alat kuasa yang lebih baik dalam situasi yang tidak dijangka.
6. **Berpakaian dengan betul. Jangan pakai pakaian yang longgar atau barang kemas. Jauhkan rambut dan pakaian anda dari bahagian yang bergerak.** Pakaian longgar, barang kemas atau rambut yang panjang boleh terperangkap dalam bahagian yang bergerak.
7. **Jika peranti disediakan untuk sambungan kemudahan pengekstrakan dan pengumpulan habuk, pastikan ia disambung dan digunakan dengan betul.** Penggunaan pengumpulan habuk boleh mengurangkan bahaya berkaitan habuk.
8. **Jangan biarkan kebiasaan daripada kekerapan penggunaan alat membuatkan anda berpuas hati dan mengabaikan prinsip keselamatan alat.** Kecuaian boleh menyebabkan kecederaan serius dalam sekelip mata.
9. **Sentiasa pakai gogal pelindung untuk melindungi mata anda daripada kecederaan apabila menggunakan alat kuasa.** Gogal mestilah mematuhi ANSI Z87.1 di AS, EN 166 di Eropah, atau AS/NZS 1336 di Australia/New Zealand. Di Australia/New Zealand, undang-undang mengarahkan untuk memakai pelindung muka bagi melindungi muka anda, juga.



Menjadi tanggungjawab majikan untuk menguatkuasa penggunaan peralatan perlindungan keselamatan yang bersesuaian oleh pengendali alat dan oleh orang lain dalam kawasan bekerja semasa.

Penggunaan dan penjagaan alat kuasa

1. **Jangan gunakan alat kuasa dengan kasar. Gunakan alat kuasa yang betul untuk penggunaan anda.** Alat kuasa yang betul akan melakukan tugas dengan lebih baik dan lebih selamat pada kadar mana ia direka cipta.
2. **Jangan gunakan alat kuasa jika suis tidak berfungsi untuk menghidupkan dan mematikannya.** Alat kuasa yang tidak dapat dikawal dengan suis adalah berbahaya dan mesti dibaiki.
3. **Cabut palam dari sumber kuasa dan/atau keluarkan pek bateri, jika boleh ditanggalkan, dari alat kuasa sebelum membuat sebarang pelarasan, menukar aksesori, atau menyimpan alat kuasa.** Langkah-langkah keselamatan pencegahan sedemikian mengurangkan risiko memulakan alat kuasa secara tidak sengaja.
4. **Simpan alat kuasa yang tidak digunakan jauh dari jangkauan kanak-kanak dan jangan biarkan orang yang tidak biasa dengan alat kuasa atau arahan ini untuk mengendalikan alat kuasa.** Alat kuasa adalah berbahaya di tangan pengguna yang tidak terlatih.
5. **Menyelenggara alat kuasa dan aksesori.** Periksa salah jajaran atau ikatan pada bahagian yang bergerak, bahagian yang pecah dan apa-apa keadaan lain yang boleh menjejaskan operasi alat kuasa. Jika rosak, baiki alat kuasa sebelum digunakan. Kebanyakan kemalangan adalah disebabkan oleh alat kuasa yang tidak dijaga dengan baik.
6. **Pastikan alat pemotong tajam dan bersih.** Alat pemotong yang dijaga dengan betul dengan hujung pemotong yang tajam mempunyai kemungkinan yang rendah untuk terikat dan lebih mudah dikendalikan.
7. **Gunakan alat kuasa, aksesori dan alat bit dan sebagainya mengikut arahan ini dengan mengambil kira keadaan kerja dan kerja yang perlu dilakukan.** Penggunaan alat kuasa untuk operasi yang berbeza dari yang dimaksudkan boleh menyebabkan keadaan berbahaya.

8. **Pastikan pemegang dan permukaan pegangan kering, bersih dan bebas dari minyak dan gris.** Pemegang dan permukaan pegangan yang licin tidak membolehkan pengendalian dan kawalan selamat bagi alat dalam situasi yang tidak dijangka.
9. **Apabila menggunakan alat, jangan pakai sarung tangan kerja kain yang mungkin boleh kusut.** Kekusutan sarung tangan kerja kain pada bahagian yang bergerak boleh menyebabkan kecederaan diri.

Penggunaan dan penjagaan alat bateri

1. **Cas semula dengan pengecas yang ditentukan oleh pengeluar sahaja.** Pengecas yang sesuai untuk satu jenis pek bateri mungkin menimbulkan risiko kebakaran apabila digunakan dengan pek bateri lain.
2. **Gunakan alat kuasa dengan pek bateri yang ditentukan secara khusus sahaja.** Penggunaan mana-mana pek bateri lain mungkin menimbulkan risiko kecederaan dan kebakaran.
3. **Apabila pek bateri tidak digunakan, jauhkannya daripada objek besi lain, seperti klip kertas, duit syiling, paku, skru atau objek besi kecil lain, yang boleh membuat sambungan dari satu terminal ke yang lain.** Memintas terminal bateri bersama-sama mungkin menyebabkan lecuran atau kebakaran.
4. **Di bawah keadaan kasar, cecair mungkin dikeluarkan daripada bateri; elakkan sentuhan. Jika tersentuh secara tidak sengaja, siram dengan air. Jika cecair terkena mata, dapatkan bantuan perubatan di samping siraman air.** Cecair yang dikeluarkan dari bateri mungkin menyebabkan kegatalan atau lecuran.
5. **Jangan gunakan pek bateri atau alat yang rosak atau diubah suai.** Bateri yang rosak atau diubah suai mungkin menunjukkan perilaku yang tidak dijangka menyebabkan kebakaran, letupan atau risiko kecederaan.
6. **Jangan dedahkan pek bateri atau alat kepada api atau suhu yang berlebihan.** Pendedahan kepada api atau suhu melebihi 130 °C mungkin menyebabkan letupan.
7. **Ikut semua arahan pengecasan dan jangan cas pek bateri atau alat di luar julat suhu yang ditetapkan dalam arahan.** Mengecas dengan tidak betul atau pada suhu di luar julat yang dinyatakan mungkin merosakkan bateri dan meningkatkan risiko kebakaran.

Servis

1. **Pastikan alat kuasa anda diservis oleh orang yang berkelayakan dengan hanya menggunakan alat ganti yang sama.** Ini akan memastikan keselamatan alat kuasa dapat dikekalkan.
2. **Jangan servis pek bateri yang telah rosak.** Servis pek bateri hanya boleh dilakukan oleh pengeluar atau penyedia servis yang sah.
3. **Ikut arahan untuk melincir dan menukar aksesori.**

Amaran keselamatan pam vakum tanpa kord

1. Perkakas kuasa ini ialah mesin yang digunakan untuk memindahkan kelengkapan pendingin dan penyaman udara dan vesel pemulihan. Jangan menggunakannya untuk penggunaan lain. Buat demikian boleh mengakibatkan kemalangan.
2. Sentiasa periksa kebocoran minyak pada perkakas kuasa sebelum digunakan. Kegagalan berbuat demikian boleh mengakibatkan kebakaran.
3. Periksa aras dan keadaan minyak (kemerosotan, dsb.) supaya kerja boleh dijalankan dengan selamat dan cekap.
4. Prestasi yang mencukupi tidak boleh diperoleh dalam persekitaran yang terlampau panas atau sejuk.

SIMPAN ARAHAN INI.

⚠️AMARAN: JANGAN biarkan keselesaan atau kebiasaan dengan produk (daripada penggunaan berulang) mengatasi pematuhan yang ketat kepada peraturan keselamatan untuk produk berkenaan.

SALAH GUNA atau kegagalan untuk mematuhi peraturan keselamatan yang dinyatakan dalam buku panduan ini boleh mengakibatkan kecederaan diri yang teruk.

Arahan keselamatan penting untuk kartrij bateri

1. Sebelum menggunakan kartrij bateri, baca semua arahan dan tanda-tanda amaran pada (1) pengecas bateri, (2) bateri, dan (3) produk yang menggunakan bateri.
2. Jangan menyahpasang kartrij bateri.
3. Sekiranya masa pengendalian menjadi terlalu pendek, hentikan pengendalian dengan segera. Ini boleh mengakibatkan risiko pemanasan lampau, kemungkinan terbakar malah letupan.
4. Sekiranya elektrolit masuk ke mata anda, bilas dengan air bersih dan dapatkan rawatan perubatan dengan segera. Ini boleh menyebabkan anda kehilangan penglihatan.
5. Jangan memintas kartrij bateri:
 - (1) Jangan sentuh terminal dengan apa-apa bahan pengalir.
 - (2) Elakkan menyimpan kartrij bateri di dalam bekas bersama-sama objek logam lain seperti paku, syiling, dsb.
 - (3) Jangan dedahkan kartrij bateri kepada air atau hujan.Pintasan bateri boleh menyebabkan aliran arus yang besar, pemanasan lampau, kemungkinan terbakar dan juga kerosakan.
6. Jangan simpan dan gunakan perkakas dan kartrij bateri di lokasi yang suhunya boleh mencapai atau melebihi 50°C.
7. Jangan membakar kartrij bateri walaupun ia rosak teruk atau kehabisan kuasa sepenuhnya. Kartrij bateri boleh meletup dalam api.

8. Berhati-hati agar tidak bateri tidak terjatuh atau diketuk.
9. Jangan gunakan bateri yang telah rosak.
10. Ikuti peraturan tempatan anda berhubung dengan pelupusan bateri.
11. Bateri ion litium yang terkandung adalah tertakluk kepada keperluan Perundangan Barangan Berbahaya. Semasa melupuskan kartrij bateri, keluarkannya dari perkakas dan lupuskannya di tempat yang selamat. Ikuti peraturan tempatan anda berhubung dengan pelupusan bateri.
12. Gunakan bateri hanya dengan produk yang dinyatakan oleh Makita.
13. Jika perkakas tidak akan digunakan untuk tempoh masa yang lama, bateri mesti dikeluarkan dari perkakas.
14. Semasa dan selepas penggunaan, kartrij bateri boleh menjadi panas dan boleh menyebabkan lecuran atau lecuran suhu rendah.
15. Jangan sentuh terminal perkakas sebaik sahaja digunakan kerana ia boleh menjadi cukup panas sehingga menyebabkan lecuran.
16. Jangan biarkan serpihan, debu atau tanah terlekat pada terminal, lubang, dan alur kartrij bateri. Ini boleh mengakibatkan prestasi yang kurang baik atau kerosakan perkakas atau kartrij bateri.
17. Kecuali perkakas menyokong penggunaan berhampiran talian kuasa elektrik voltan tinggi, jangan gunakan kartrij bateri berhampiran talian kuasa elektrik voltan tinggi.
18. Simpan bateri jauh dari kanak-kanak.

SIMPAN ARAHAN INI.

⚠️AWAS: Hanya gunakan bateri Makita yang tulen. Penggunaan bateri Makita yang tidak tulen, atau bateri yang telah diubah, boleh mengakibatkan bateri meletup lalu menyebabkan kebakaran, kecederaan diri dan kerosakan. Ini juga akan membatalkan waranti Makita untuk perkakas dan pengecas Makita.

Petua untuk menjaga hayat bateri maksimum

1. Cas kartrij bateri sebelum kehabisan kuasa sepenuhnya. Sentiasa hentikan pengendalian perkakas dan cas kartrij bateri apabila anda menyedari perkakas kurang kuasa.
2. Jangan sekali-kali mengemas semula kartrij bateri yang telah dicas sepenuhnya. Lampau cas akan memendekkan hayat perkhidmatan bateri.
3. Cas kartrij bateri pada suhu bilik 10°C - 40°C. Biarkan kartrij bateri yang panas menyejuk dahulu sebelum mengecasnya.
4. Apabila tidak menggunakan kartrij bateri, keluarkannya dari perkakas atau pengecas.
5. Cas kartrij bateri jika anda tidak menggunakannya untuk tempoh masa yang lama (lebih daripada enam bulan).

HURAIAN BAHAGIAN

► Rajah 1:

- | | |
|-----------------------------|-------------------------------|
| 1. Liang ambilan 3/8" | 10. Tapak |
| 2. Injap balast gas | 11. Motor |
| 3. Penutup isi minyak/ekzos | 12. Lampu LED |
| 4. Liang ambilan 5/16" | 13. Suis kuasa |
| 5. Kaca lihat | 14. Adang bateri |
| 6. Injap salir | 15. Pemegang bateri |
| 7. Tangki minyak | 16. Bateri (pada liang Kiri) |
| 8. Kawasan sekeliling pam | 17. Bateri (pada liang Kanan) |
| 9. Injap solenoid | 18. Pemegang |
| | 19. Penutup pendawaian |

PERIHALAN FUNGSIAN

⚠️AWAS: Sentiasa pastikan bahawa pam dimatikan dan kartrij bateri dikeluarkan sebelum melaras atau memeriksa fungsi pada pam.

Memasang atau menanggalkan kartrij bateri

⚠️AWAS: Sentiasa matikan pam sebelum memasang atau menanggalkan kartrij bateri.

⚠️AWAS: Pegang pam dan kartrij bateri dengan kuat semasa memasang atau menanggalkan kartrij bateri. Kegagalan memegang pam dan kartrij bateri dengan kuat boleh menyebabkan ia tergelincir dari tangan anda dan mengakibatkan kerosakan terhadap pam dan kartrij bateri serta kecederaan diri.

► Rajah 2:

- | | |
|-------------------|-------------------|
| 1. Penunjuk merah | 3. Kartrij bateri |
| 2. Butang | |

Untuk menanggalkan kartrij bateri, luncurkannya dari pam sambil menggelangsarkan butang di bahagian depan kartrij.

Untuk memasang kartrij bateri, jajarkan lidah pada kartrij bateri dengan alur dalam selongsong dan sisipkan ke tempatnya. Masukkannya sepenuhnya ke dalam sehingga ia terkunci pada kedudukannya dengan bunyi klik kecil. Jika anda dapat melihat penunjuk merah di bahagian atas butang, ia tidak terkunci sepenuhnya.

⚠️AWAS: Sentiasa pasang kartrij bateri sepenuhnya sehingga penunjuk merah tidak kelihatan. Jika tidak, ia mungkin jatuh dari pam secara tidak sengaja, mengakibatkan kecederaan kepada anda atau seseorang di sekeliling anda.

⚠️AWAS: Jangan memasang kartrij bateri secara paksa. Sekiranya kartrij tidak meluncur masuk dengan mudah, ia tidak dimasukkan dengan betul.

Sistem perlindungan bateri

Pam atau bateri dilengkapi dengan sistem perlindungan bateri. Sistem ini secara automatik memutuskan kuasa ke motor untuk memanjangkan hayat bateri.

Pam akan berhenti secara automatik semasa pengendalian sekiranya pam dan/atau bateri berada di bawah salah satu keadaan berikut:

Beban lampau:

Pam atau bateri dikendalikan dengan cara yang menyebabkan arus yang luar biasa tinggi ditarik. Dalam keadaan ini, matikan pam dan hentikan penggunaan yang menyebabkan pam mengalami beban lampau. Kemudian hidupkan pam untuk mula semula. Jika pam tidak bermula, bateri telah panas lampau. Dalam keadaan ini, biarkan bateri sejuk sebelum menghidupkan pam sekali lagi.

Volan bateri rendah:

Baki kapasiti bateri terlalu rendah dan pam tidak akan beroperasi. Dalam keadaan ini, keluarkan bateri dan cas semula.

Menunjukkan baki kapasiti bateri

Hanya untuk kartrij bateri dengan penunjuk

► Rajah 3:

- | | |
|-------------------|-------------------|
| 1. Lampu penunjuk | 2. Butang periksa |
|-------------------|-------------------|

Tekan butang periksa pada kartrij bateri untuk menunjukkan baki kapasiti bateri. Lampu penunjuk menyala selama beberapa saat.

Lampu penunjuk			Baki kapasiti
Menyala	Mati	Berkelip	
■	□	◐	75% hingga 100%
■	■	□	50% hingga 75%
■	■	□	25% hingga 50%
■	□	□	0% hingga 25%
◐	□	□	Cas bateri.
■	■	□	Bateri mungkin telah pincang tugas.
□	□	■	

PERHATIAN: Bergantung kepada keadaan penggunaan dan suhu ambien, penunjuk mungkin berbeza sedikit daripada kapasiti sebenar.

PERHATIAN: Lampu penunjuk pertama (kiri sekali) akan berkelip apabila sistem perlindungan bateri berfungsi.

PENGENDALIAN

Pam tidak mengandungi minyak semasa baru dibeli. Rujuk kepada "Menambah minyak" dan tambah minyak.

AMARAN: Mengendalikan pam dalam keadaan tanpa menambahkan minyak akan merosakkan pam. Selain itu, tangki minyak akan menjadi panas dan boleh mengakibatkan lecuran atau kemalangan lain.

Menambah minyak

► Rajah 4:

1. Penutup isi minyak/ekzos
 2. Garis aras
 3. Kaca lihat
 4. Tangki minyak
1. Tanggalkan penutup isi minyak/ekzos dan tambah minyak yang dibekalkan melalui liang pengisi.

NOTIS: Sentiasa gunakan minyak tulen Makita untuk mengekalkan prestasi pam.

2. Tambah minyak sehingga aras minyak berada di antara garis aras atas dengan aras bawah kaca lihat.

NOTIS: Aras minyak adalah penting. Mengendalikan pam dalam keadaan dengan aras minyak tidak berada di antara garis aras atas dengan bawah boleh mengakibatkan pincang tugas.

Memeriksa prestasi

► Rajah 5:

1. Hos pengecasan (kuning)
 2. Liangambilan
 3. Pam vakum
 4. Pancaronngga
 5. Injap sisi rendah
 6. Tutup
1. Sambungkan injap sisi rendah pancaronngga dan liangambilan pam dengan hos pengecasan.
 2. Tutup injap sisi rendah pancaronngga.
 3. Hidupkan pam. Sekiranya tekanan pancaronngga menunjukkan bacaan vakum -0.09 hingga -0.1 MPa dalam masa 30 saat, pam beroperasi dengan baik.
 4. Matikan pam.

Pengendalian

► Rajah 6:

1. Hos pengecasan (kuning)
 2. Liangambilan
 3. Injap balast gas
 4. Pam vakum
 5. Lampu LED
 6. Bateri
 7. Hos pengecasan (biru)
 8. Liang servis (Bahagian tekanan rendah)
 9. Unit luaran
 10. Liang servis (Bahagian tekanan tinggi)
 11. Hos pengecasan (merah)
 12. Tutup
 13. Injap sisi tinggi
 14. Pancaronngga
 15. Injap sisi rendah
 16. Tutup
1. Sambungkan pam, pancaronngga dan unit luar dengan hos.

PERHATIAN: Jika saiz liang servis pada unit ialah 1/4", gunakan penyesuai diameter berbeza yang disediakan.

2. Semak injap sisi tinggi dan sisi rendah pancaronngga adalah tertutup.
3. Pasang dua bateri kepada pam. (Lihat "Memasang atau menanggalkan kartrij bateri" untuk kaedah pemasangan.)
4. Buka injap balast gas.
5. Hidupkan pam. Lampu LED (MERAH) menyala dan motor beroperasi.
6. Buka injap sisi rendah dan injap sisi tinggi pancaronngga.
7. Tutup injap balast gas selepas 5 hingga 10 minit.

PERHATIAN: Injap balast gas digunakan untuk mengeluarkan air (wap) dan gas boleh meluwap (yang disedut ke dalam pam semasa ekzos) dari minyak. Sekiranya gas boleh meluwap menjadi cair dan masuk ke dalam minyak, ia boleh menyebabkan penurunan dalam kebolehpelinciran, dan memendekkan hayat perkhidmatan pam dan kedap. Apabila udara masuk dari injap balast gas, gas terpeluwap kekal keadaannya, dan dikeluarkan bersama-sama udara.

Disyorkan supaya pam dipanaskan sebelum pengendalian kerana semakin tinggi suhu pam, semakin tinggi kecekapan balast gas yang dapat diperoleh.

8. Apabila baki kapasiti bateri L (pada liang kiri) menjadi kosong, bekalan kuasa secara automatik bertukar kepada bateri R (pada liang kanan). Keluarkan bateri L, dan gantikannya dengan bateri ganti. Apabila baki kapasiti bateri R menjadi kosong, bekalan kuasa bertukar kepada bateri L semula. Pam boleh dikendalikan untuk waktu yang lama dengan menggunakan bateri ganti yang dicas berulang kali untuk L-R-L-R.

AMARAN: Pam menjadi panas semasa pengendalian dan seurus selepas berhenti. Jangan menyentuh kawasan di sekitar pam semasa ia panas. Berbuat demikian boleh mengakibatkan lecuran atau kemalangan lain.

PERHATIAN: Motor tidak boleh beroperasi apabila suhu sejuk (5°C atau kurang). Dalam hal ini, bawa pam ke dalam bangunan dan biarkan memanas.

9. Apabila vakum yang ditentukan (rujuk kepada manual yang disediakan oleh pengeluar penyaman udara) dicapai, tutup injap sisi rendah pancaronngga.
10. Matikan pam.

Ujian kekedapan udara

Tidak ada kebocoran jika tekanan pancaronngga tidak meningkat selama 5 minit atau lebih setelah keluar dari pam dan pancaronngga.

PERHATIAN: Apabila baki kapasiti bateri menjadi rendah, lampu LED padam dan pada masa yang sama bip penggera panjang mula berbunyi. Lebih kurang dua minit kemudian motor berhenti. Kemudian bip penggera berubah menjadi bip sela pendek berulang yang memberitahu bahawa motor berhenti dan 30 saat kemudian bunyi bip berhenti. Walau bagaimanapun, jangan tunggu sehingga motor berhenti (atau bip penggera berubah kepada bip pendek), dan sebaliknya tutup injap salur masuk perkakas dan injap bahagian tekanan rendah pancarongga.

Periksa bahawa pam telah dimatikan, keluarkan bateri, dan caskannya atau ganti dengan bateri ganti.

- Rujuk kepada jadual berikut untuk masa pengendalian bateri.

Masa pengendalian (garis panduan)

Bateri	Masa pengendalian setiap unit
BL1860B	30 min
BL1850B	25 min
BL1840B	20 min
BL1830B	15 min

- Setelah menyiapkan kerja, tanggalkan bateri dan pasangkan penutup yang disediakan.

NOTIS: Semasa mengangkut, mengendalikan dan menyimpan perkakas, jangan meletakkannya secara terbalik atau pada sisinya. Ini boleh menyebabkan kebocoran minyak dari penutup isi minyak/lubang udara.

PENYELENGGARAAN

⚠AWAS: Sentiasa pastikan bahawa pam telah dimatikan dan kartrij bateri dikeluarkan sebelum cuba melakukan pemeriksaan atau penyelenggaraan.

NOTIS: Jangan sekali-kali menggunakan petrol, benzin, pencair, alkohol atau seumpamanya. Perubahan warna, ubah bentuk atau retakan boleh berlaku.

Untuk mengekalkan KESELAMATAN dan KEBOLEHPERCAYAAN produk, pembaikan, apa-apa penyelenggaraan atau pelarasan lain hendaklah dilakukan oleh Pusat Servis Berdaftar atau Pusat Servis Kilang Makita, sentiasa gunakan alat ganti Makita.

Memeriksa minyak

► Rajah 7:

1. Garis aras
 2. Kaca lihat
- Sentiasa periksa aras dan keadaan minyak (kemosotan, dsb.) sebelum menggunakan pam.

PERHATIAN: Tambah minyak sehingga aras minyak berada di antara garis aras atas dengan aras bawah kaca lihat. Kuantiti minyak ialah 300 ml.

PERHATIAN: Aras minyak adalah penting. Jika aras minyak tidak berada di antara garis aras atas dengan bawah, ini boleh mengakibatkan pincang tugas.

Mengganti minyak

► Rajah 8:

1. Injap salir
 1. Jalankan pam selama 1 atau 2 minit untuk memanaskan minyak.
 2. Matikan pam.
 3. Tanggalkan injap salir dan salirkan minyak.
 4. Rujuk kepada "Menambah minyak" dan tambah minyak baharu.
- Lupuskan minyak lama selaras dengan peraturan tempatan.

PERHATIAN: Adalah disyorkan untuk menukar minyak selepas 20 jam penggunaan untuk melindungi komponen pam daripada bahan cemar disedut ke dalam pam.

Semasa memvakum sistem pendingin lama, ganti minyak selepas setiap penggunaan.

Membersihkan pam

1. Jika minyak terlalu kotor, ganti minyak dan kemudian jalankan pam selama 3 hingga 5 minit.
2. Salirkan minyak dan tambah minyak baharu. Sekiranya minyak yang disalir ini masih kotor, ulangi proses pembersihan ini dua atau tiga kali.

AKSESORI PILIHAN

⚠AWAS: Beberapa aksesori atau lekapan ini disyorkan untuk digunakan dengan perkakas Makita anda yang dinyatakan dalam manual ini. Penggunaan apa-apa aksesori atau lekapan lain mungkin menimbulkan risiko kecederaan kepada manusia. Hanya gunakan aksesori atau lekapan untuk tujuannya yang dinyatakan.

Sekiranya anda memerlukan apa-apa bantuan untuk maklumat lebih lanjut mengenai beberapa aksesori ini, sila bertanya kepada Pusat Servis Makita tempatan anda.

- Tali pinggang bahu
- Minyak pam vakum 300 ml
- Hos pam vakum
- Injap pam vakum dengan tolok
- Bateri dan pengecas tulen Makita

⚠️ AWAS: Apabila menggunakan tali bahu:

- Jangan gunakan tali bahu jika cangkuknya rosak atau cacat.
- Cangkuk ini adalah bertujuan untuk digunakan dengan tali bahu Makita sahaja. Jangan pasang apa-apa lekapan lain. Penggunaan untuk tujuan yang tidak dimaksudkan boleh mengakibatkan kemalangan atau kecederaan diri.
- Tali bahu adalah bertujuan untuk membawa pam di bahu anda. Jangangunakannya untuk tujuan lain seperti langkah elak jatuh.
- Jangan mengenakan beban berlebihan pada tali bahu. Berbuat demikian boleh memutuskan tali bahu atau bahagian pemasangan dan mengakibatkan kecederaan diri.
- Apabila menggunakan tali bahu, pasangannya pada cangkuk pada pemegang. Pastikan tali bahu terpasang dengan kukuh pada cangkuk dan pegang pemegang pam semasa membawanya menggunakan tali bahu.

PERHATIAN: Beberapa item dalam senarai mungkin termasuk dalam pakej perkakas sebagai aksesori piawai. Ini mungkin berbeza mengikut negara.

THÔNG SỐ KỸ THUẬT

Mẫu máy:	DVP181
Điện áp định mức	D.C. 18 V
Bơm	Bơm quay hai cấp
Thay thế không khí tự do	113 L/phút
Chân không tuyệt đối	3 Pa
Dung tích dầu	300 ml
Ống dẫn	Đầu nối ren ngoài 5/16", 3/8"
Kích thước	383 mm (Dài) × 193 mm (Rộng) × 210 mm (Cao)
Khối lượng tịnh (có hai pin BL1860B)	8,2 kg

- Do chương trình nghiên cứu và phát triển liên tục của chúng tôi nên các thông số kỹ thuật ở đây có thể thay đổi mà không cần thông báo trước.
- Các thông số kỹ thuật và hộp pin có thể thay đổi tùy theo từng quốc gia.
- Khối lượng kèm hộp pin theo như Quy trình EPTA tháng 01/2014

Hộp pin và bộ sạc có thể dùng được

Hộp pin	BL1830B (3,0 Ah) / BL1840B (4,0 Ah) / BL1850B (5,0 Ah) / BL1860B (6,0 Ah)
Bộ sạc	DC18RC / DC18RD / DC18RE / DC18SD / DC18SE / DC18SF / DC18SH

- Một số hộp pin và bộ sạc được liệt kê ở trên có thể không khả dụng tùy thuộc vào khu vực cư trú của bạn.

⚠ CẢNH BÁO: Chỉ sử dụng hộp pin và sạc pin được liệt kê trong danh sách ở trên. Sử dụng bất kỳ loại pin và bộ sạc nào khác có thể gây chấn thương và/hoặc hỏa hoạn.

Ký hiệu

Phản dưới đây mô tả các ký hiệu được sử dụng cho thiết bị.

Đảm bảo rằng bạn hiểu rõ ý nghĩa của các ký hiệu này trước khi sử dụng.



- Đọc hướng dẫn sử dụng.



- Cảnh báo: bề mặt nóng!
Không chạm vào khu vực có ký hiệu này.
Chạm vào bề mặt này có thể gây bỏng hoặc chấn thương.



- Chỉ dành cho các quốc gia EU
Do có các thành phần nguy hiểm bên trong thiết bị điện và điện tử, ắc quy và pin thải bỏ nên có thể có tác động không tốt đến môi trường và sức khỏe con người.

Không vứt bỏ các thiết bị điện và điện tử hoặc pin với rác thải sinh hoạt!

Theo Chỉ thị của Châu Âu về thiết bị điện và điện tử thải bỏ và về pin và ắc quy và pin và ắc quy thải bỏ, cũng như sự thích ứng của chúng với luật pháp quốc gia, các thiết bị điện, pin và ắc quy phải được cất giữ riêng biệt và chuyển đến một điểm thu gom rác thải đồ thị riêng, hoạt động theo các quy định về bảo vệ môi trường.

Điều này được biểu thị bằng biểu tượng thùng rác có bánh xe gạch chéo được đặt trên thiết bị.

Cảnh báo an toàn chung dành cho dụng cụ máy

⚠ CẢNH BÁO: Xin đọc tất cả các cảnh báo an toàn, hướng dẫn, minh họa và thông số kỹ thuật đi kèm với dụng cụ máy này. Việc không tuân theo các hướng dẫn được liệt kê dưới đây có thể dẫn đến điện giật, hỏa hoạn và/hoặc thương tích nghiêm trọng.

Lưu giữ tất cả cảnh báo và hướng dẫn để tham khảo sau này.

Thuật ngữ “dụng cụ máy” trong các cảnh báo đề cập đến dụng cụ máy (có dây) được vận hành bằng nguồn điện chính hoặc dụng cụ máy (không dây) được vận hành bằng pin của bạn.

An toàn tại nơi làm việc

1. **Giữ nơi làm việc sạch sẽ và có đủ ánh sáng.** Nơi làm việc bừa bộn hoặc tối thường dễ gây ra tai nạn.
2. **Không vận hành dụng cụ máy trong môi trường ẩm ướt, ví dụ như môi trường có sự hiện diện của các chất lỏng, khí hoặc bụi dễ cháy.** Các dụng cụ máy tạo tia lửa điện có thể làm bụi hoặc khí bốc cháy.
3. **Giữ trẻ em và người ngoài tránh xa nơi làm việc khi đang vận hành dụng cụ máy.** Sự xao lãng có thể khiến bạn mất khả năng kiểm soát.

An toàn về Điện

1. **Phích cắm của dụng cụ máy phải khớp với ổ cắm.** Không được sửa đổi phích cắm theo bất kỳ cách nào. Không sử dụng bất kỳ phích chuyển đổi nào với các dụng cụ máy được nối đất (tiếp đất). Các phích cắm còn nguyên vẹn và ổ cắm phù hợp sẽ giảm nguy cơ điện giật.
2. **Tránh để cơ thể tiếp xúc với các bề mặt nối đất hoặc tiếp đất như đường ống, bộ tản nhiệt, bếp ga và tủ lạnh.** Nguy cơ bị điện giật sẽ tăng lên nếu cơ thể bạn được nối đất hoặc tiếp đất.
3. **Không để dụng cụ máy tiếp xúc với mưa hoặc trong điều kiện ẩm ướt.** Nước lọt vào dụng cụ máy sẽ làm tăng nguy cơ điện giật.
4. **Không làm dụng dây điện.** Không được phép sử dụng dây để mang, kéo hoặc tháo phích cắm dụng cụ máy. Giữ dây tránh xa nguồn nhiệt, dầu, các mép sắc hoặc các bộ phận chuyển động. Dây bị hỏng hoặc bị rối sẽ làm tăng nguy cơ điện giật.
5. **Khi vận hành dụng cụ máy ngoài trời, hãy sử dụng dây kéo dài phù hợp cho việc sử dụng ngoài trời.** Việc dùng dây phù hợp cho việc sử dụng ngoài trời sẽ giảm nguy cơ điện giật.
6. **Nếu bắt buộc phải vận hành dụng cụ máy ở nơi ẩm ướt, hãy sử dụng nguồn cấp điện được bảo vệ bằng thiết bị ngắt dòng điện rò (RCD).** Việc sử dụng RCD sẽ làm giảm nguy cơ điện giật.
7. **Các dụng cụ máy có thể tạo ra từ trường điện (EMF) có hại cho người dùng.** Tuy nhiên, người dùng máy trợ tim và những thiết bị y tế tương tự khác nên liên hệ với nhà sản xuất thiết bị và/hoặc bác sỹ để được tư vấn trước khi vận hành dụng cụ này.

An toàn Cá nhân

1. **Luôn tinh táo, quan sát những việc bạn đang làm và sử dụng những phán đoán theo kinh nghiệm khi vận hành dụng cụ máy.** Không sử dụng dụng cụ máy khi bạn đang mệt mỏi hoặc chịu ảnh hưởng của ma túy, rượu hay thuốc. Chỉ một khoảnh khắc không tập trung khi đang vận hành dụng cụ máy cũng có thể dẫn đến thương tích cá nhân nghiêm trọng.
2. **Sử dụng thiết bị bảo hộ cá nhân.** Luôn đeo thiết bị bảo vệ mắt. Các thiết bị bảo hộ như mũ nạ chống bụi, giày an toàn chống trượt, mũ bảo hộ hay thiết bị bảo vệ thính giác được sử dụng trong các điều kiện thích hợp sẽ giúp giảm thương tích cá nhân.
3. **Tránh vô tình khởi động dụng cụ máy.** Đảm bảo công tắc ở vị trí off (tắt) trước khi nối nguồn điện và/hoặc bộ pin, cầm hoặc di chuyển dụng cụ máy. Việc di chuyển dụng cụ máy khi đang đặt ngón tay ở vị trí công tắc hoặc cấp điện cho dụng cụ máy đang bật thường dễ gây ra tai nạn.
4. **Tháo tất cả các khóa hoặc cờ lê điều chỉnh trước khi bật dụng cụ máy.** Việc cờ lê hoặc khóa vẫn còn gắn vào bộ phận quay của dụng cụ máy có thể dẫn đến thương tích cá nhân.
5. **Không vói quá cao.** Luôn giữ thăng bằng tốt và có chỗ để chân phù hợp. Điều này cho phép điều khiển dụng cụ máy tốt hơn trong những tình huống bất ngờ.
6. **Ăn mặc phù hợp.** Không mặc quần áo rộng hay đeo đồ trang sức. Giữ tóc và quần áo tránh xa các bộ phận chuyển động. Quần áo rộng, đồ trang sức hay tóc dài có thể mắc vào các bộ phận chuyển động.
7. **Nếu các thiết bị được cung cấp để kết nối các thiết bị thu gom và hút bụi, hãy đảm bảo chúng được kết nối và sử dụng hợp lý.** Việc sử dụng thiết bị thu gom bụi có thể làm giảm những mối nguy hiểm liên quan đến bụi.
8. **Không vì quen thuộc do thường xuyên sử dụng các dụng cụ mà cho phép bạn trở nên tự mãn và bỏ qua các nguyên tắc an toàn dụng cụ.** Một hành động bất cẩn có thể gây ra thương tích nghiêm trọng trong một phần của một giây.
9. **Luôn luôn mang kính bảo hộ để bảo vệ mắt khỏi bị thương khi đang sử dụng các dụng cụ máy.** Kính bảo hộ phải tuân thủ ANSI Z87.1 ở Mỹ, EN 166 ở Châu Âu, hoặc AS/NZS 1336 ở Úc/New Zealand. Tại Úc/New Zealand, theo luật pháp, bạn cũng phải mang mũ nạ che mặt để bảo vệ mặt.



Trách nhiệm của chủ lao động là bắt buộc người vận hành dụng cụ và những người khác trong khu vực làm việc cảnh đó phải sử dụng các thiết bị bảo hộ an toàn thích hợp.

Sử dụng và bảo quản dụng cụ máy

1. **Không dùng lực đối với dụng cụ máy. Sử dụng đúng dụng cụ máy cho công việc của bạn.** Sử dụng đúng dụng cụ máy sẽ giúp thực hiện công việc tốt hơn và an toàn hơn theo giá trị định mức được thiết kế của dụng cụ máy đó.
2. **Không sử dụng dụng cụ máy nếu công tắc không bật và tắt được dụng cụ máy đó.** Mọi dụng cụ máy không thể điều khiển được bằng công tắc đều rất nguy hiểm và phải được sửa chữa.
3. **Rút phích cắm ra khỏi nguồn điện và/hoặc tháo kết nối bộ pin khỏi dụng cụ máy, nếu có thể tháo rời trước khi thực hiện bất kỳ công việc điều chỉnh, thay đổi phụ tùng hay cất giữ dụng cụ máy nào.** Những biện pháp an toàn phòng ngừa này sẽ giảm nguy cơ vô tình khởi động dụng cụ máy.
4. **Cất giữ các dụng cụ máy không sử dụng ngoài tầm với của trẻ em và không cho bất kỳ người nào không có hiểu biết về dụng cụ máy hoặc các hướng dẫn này vận hành dụng cụ máy.** Dụng cụ máy sẽ rất nguy hiểm nếu được sử dụng bởi những người dùng chưa qua đào tạo.
5. **Bảo dưỡng dụng cụ máy và các phụ kiện.** Kiểm tra tình trạng lịch trực tiếp của bộ phận của các bộ phận chuyên động, hiện tượng nứt vỡ của các bộ phận và mọi tình trạng khác mà có thể ảnh hưởng đến hoạt động của dụng cụ máy. Nếu có hỏng hóc, hãy sửa chữa dụng cụ máy trước khi sử dụng. Nhiều tai nạn xảy ra là do không bảo quản tốt dụng cụ máy.
6. **Luôn giữ cho dụng cụ cất được sắc bén và sạch sẽ.** Những dụng cụ cất được bảo quản tốt có mép cắt sắc sẽ ít bị kẹt hơn và dễ điều khiển hơn.
7. **Sử dụng dụng cụ máy, phụ tùng và đầu dụng cụ cắt, v.v... theo các hướng dẫn này, có tính đến điều kiện làm việc và công việc được thực hiện.** Việc sử dụng dụng cụ máy cho các công việc khác với công việc dự định có thể gây nguy hiểm.
8. **Giữ tay cầm và bề mặt tay cầm khô, sạch, không dính dầu và mỡ.** Tay cầm trơn trượt và bề mặt tay cầm không cho phép xử lý an toàn và kiểm soát dụng cụ trong các tình huống bất ngờ.
9. **Khi sử dụng dụng cụ, không được đi gang tay lao động bằng vải, có thể bị vướng.** Việc gang tay lao động bằng vải vướng vào các bộ phận chuyển động có thể gây ra thương tích cá nhân.

Sử dụng và bảo quản dụng cụ dùng pin

1. **Chỉ sạc pin lại với bộ sạc do nhà sản xuất quy định.** Bộ sạc phù hợp với một loại bộ pin này có thể gây ra nguy cơ hỏa hoạn khi được dùng cho một bộ pin khác.
2. **Chỉ sử dụng các dụng cụ máy với các bộ pin được quy định có thể.** Việc sử dụng bất cứ bộ pin nào khác có thể gây ra thương tích và hỏa hoạn.
3. **Khi không sử dụng bộ pin, hãy giữ tránh xa các đồ vật khác bằng kim loại, chẳng hạn như kẹp giấy, tiền xu, chìa khóa, đinh, ốc vít hoặc các vật nhỏ bằng kim loại mà có thể làm nối tất các đầu cực pin.** Các đầu cực pin bị đoản mạch có thể gây cháy hoặc hỏa hoạn.

4. **Trong điều kiện sử dụng quá mức, pin có thể bị chày nước; hãy tránh tiếp xúc.** Nếu vô tình tiếp xúc với pin bị chày nước, hãy rửa sạch bằng nước. Nếu dung dịch từ pin tiếp xúc với mắt, cần đi khám bác sĩ thêm. Dung dịch chảy ra từ pin có thể gây rát da hoặc bỏng.
5. **Không sử dụng bộ pin hoặc dụng cụ bị hư hỏng hoặc đã bị sửa đổi.** Pin đã bị hư hỏng hoặc đã bị sửa đổi có thể hành động theo cách không thể đoán trước dẫn đến cháy, nổ hoặc nguy cơ chấn thương.
6. **Không để bộ pin hoặc dụng cụ tiếp xúc với lửa hoặc nhiệt độ quá cao.** Tiếp xúc với lửa hoặc nhiệt độ trên 130 °C có thể gây ra cháy nổ.
7. **Làm theo tất cả các hướng dẫn sạc pin và không được sạc bộ pin hoặc dụng cụ vượt giới hạn nhiệt độ quy định trong hướng dẫn.** Sạc pin không đúng hoặc ở nhiệt độ vượt giới hạn nhiệt độ có thể gây hư hỏng cho pin và làm tăng nguy cơ cháy.

Bảo dưỡng

1. **Để nhân viên sửa chữa đủ trình độ bảo dưỡng dụng cụ máy của bạn và chỉ sử dụng các bộ phận thay thế đồng nhất.** Việc này sẽ đảm bảo duy trì được độ an toàn của dụng cụ máy.
2. **Không bao giờ sử dụng bộ pin đã hỏng.** Dịch vụ bảo hành bộ pin chỉ nên thực hiện bởi nhà sản xuất hoặc các nhà cung cấp dịch vụ được ủy quyền.
3. **Tuân theo hướng dẫn dành cho việc bôi trơn và thay phụ tùng.**

Cảnh báo an toàn cho Máy Bơm Chân Không Cầm Tay Hoạt Động Bằng Pin

1. **Dụng cụ máy là một bộ máy được sử dụng để hút chân không thiết bị làm lạnh và điều hòa không khí và thùng thu hồi.** Không sử dụng dụng cụ máy này cho các mục đích sử dụng khác. Làm như vậy có thể gây tai nạn.
2. **Luôn kiểm tra rò rỉ dầu của dụng cụ máy trước khi sử dụng.** Nếu không có thể dẫn đến hỏa hoạn.
3. **Kiểm tra mức dầu và tình trạng dầu (hư hỏng, v.v...) để có thể làm việc an toàn và hiệu quả.**
4. **Thiết bị có thể không đạt được hiệu suất phù hợp trong môi trường quá nóng hoặc quá lạnh.**

HÃY LƯU GIỮ CÁC HƯỚNG DẪN NÀY.

▲CẢNH BÁO: KHÔNG vì sự thoải mái hoặc quen thuộc với sản phẩm (có được do sử dụng nhiều lần) mà quên đi việc tuân thủ nghiêm ngặt các quy định về an toàn đối với sản phẩm này.

VIỆC DÙNG SAI hoặc không tuân theo các quy định về an toàn được nêu trong hướng dẫn sử dụng này có thể dẫn đến thương tích cá nhân nghiêm trọng.

Hướng dẫn quan trọng về an toàn dành cho hộp pin

1. **Trước khi sử dụng hộp pin, hãy đọc kỹ tất cả các hướng dẫn và dấu hiệu cảnh báo trên (1) bộ sạc pin, (2) pin và (3) sản phẩm sử dụng pin.**

2. Không tháo rời hộp pin.
3. Nếu thời gian vận hành trở nên ngắn quá mức, hãy ngừng vận hành ngay lập tức. Điều này có thể dẫn đến nguy cơ quá nhiệt, có thể gây cháy và thậm chí là gây nổ.
4. Nếu chất điện phân dính vào mắt bạn, hãy rửa sạch bằng nước sạch và đến cơ sở y tế ngay lập tức. Điều này có thể dẫn đến mất thị lực.
5. Không được làm đoản mạch hộp pin:
 - (1) Không được chạm vào các đầu cực bằng bất kỳ vật liệu dẫn điện nào.
 - (2) Tránh cất giữ hộp pin trong một thùng chứa cùng với các vật kim loại khác như đinh, đồng xu, v.v...
 - (3) Không được để hộp pin tiếp xúc với nước hoặc mưa.

Pin bị đoản mạch có thể gây ra dòng điện lớn, gây quá nhiệt, có thể dẫn đến cháy và thậm chí là hư hỏng.

6. Không cất giữ và sử dụng dụng cụ và hộp pin ở nơi nhiệt độ có thể lên tới hoặc vượt quá 50°C.
7. Không được thiêu hủy hộp pin ngay cả khi hộp pin đã bị hư hỏng nặng hoặc bị hỏng hoàn toàn. Hộp pin có thể nổ khi bị đốt cháy.
8. Cần thận để không làm rơi hoặc va đập mạnh vào pin.
9. Không sử dụng pin đã bị hư hỏng.
10. Tuân theo các quy định của địa phương liên quan đến việc thải bỏ pin.
11. Pin lithium-ion đi kèm phải tuân theo các yêu cầu của Luật Hàng hoá Nguy hiểm. Khi thải bỏ hộp pin, hãy tháo hộp pin ra khỏi dụng cụ và thải bỏ ở nơi an toàn. Tuân theo các quy định của địa phương liên quan đến việc thải bỏ pin.
12. Chỉ sử dụng pin cho các sản phẩm do Makita chỉ định.
13. Nếu không sử dụng dụng cụ trong thời gian dài, cần phải tháo pin ra khỏi dụng cụ.
14. Trong và sau khi sử dụng, hộp pin có thể nóng lên và có khả năng gây bỏng hoặc bỏng nhiệt độ thấp.
15. Không chạm vào điện cực của dụng cụ ngay sau khi sử dụng bởi vì điện cực có thể đủ nóng để gây bỏng.
16. Không để vụn, bụi hoặc đất bám vào các điện cực, lỗ và rãnh của hộp pin. Việc này có thể dẫn đến hiệu suất kém hoặc hỏng hóc dụng cụ hay hộp pin.
17. Không sử dụng hộp pin ở gần đường dây điện cao áp, trừ khi dụng cụ hỗ trợ sử dụng gần đường dây điện cao áp.
18. Giữ pin tránh xa tầm tay của trẻ em.

HÃY LƯU GIỮ CÁC HƯỚNG DẪN NÀY.

⚠ THẬN TRỌNG: Chỉ sử dụng pin Makita chính hãng. Sử dụng các loại pin Makita không chính hãng, hoặc pin đã bị thay đổi có thể dẫn đến hiện tượng nổ pin, gây hỏa hoạn, thương tích và thiệt hại cá nhân. Điều này cũng sẽ làm mất hiệu lực bảo hành của Makita đối với dụng cụ và bộ sạc của Makita.

Mẹo để duy trì tuổi thọ pin tối đa

1. Sạc hộp pin trước khi xả pin hoàn toàn. Luôn dừng vận hành dụng cụ và sạc pin khi bạn nhận thấy công suất dụng cụ bị giảm.
2. Tuyệt đối không sạc lại hộp pin đã được sạc đầy. Sạc quá mức sẽ làm giảm tuổi thọ của pin.
3. Sạc hộp pin ở nhiệt độ phòng 10°C - 40°C. Để cho hộp pin nóng nguội lại trước khi sạc.
4. Khi không sử dụng hộp pin, hãy tháo hộp pin ra khỏi dụng cụ hoặc bộ sạc.
5. Sạc hộp pin nếu bạn không sử dụng trong một thời gian dài (hơn sáu tháng).

MÔ TẢ CÁC BỘ PHẬN

► Hình 1:

- | | |
|-------------------------------|---------------------|
| 1. Cổng nạp 3/8" | 11. Động cơ |
| 2. Van bị đệm khí | 12. Đèn LED |
| 3. Nắp nạp/xả dầu | 13. Công tắc nguồn |
| 4. Cổng nạp 5/16" | 14. Phần bảo vệ pin |
| 5. Kính kiểm tra | 15. Giá đỡ pin |
| 6. Van xả | 16. Pin (Cổng trái) |
| 7. Bình chứa dầu | 17. Pin (Cổng phải) |
| 8. Khu vực xung quanh máy bơm | 18. Tay cầm |
| 9. Van điện từ | 19. Vỏ bọc dây dẫn |
| 10. Đế | |

MÔ TẢ CHỨC NĂNG

⚠ THẬN TRỌNG: Luôn đảm bảo rằng đã tắt máy bơm và tháo hộp pin ra trước khi thực hiện việc điều chỉnh hoặc kiểm tra chức năng của máy bơm.

Lắp hoặc tháo hộp pin

⚠ THẬN TRỌNG: Luôn tắt máy bơm trước khi lắp hoặc tháo hộp pin.

⚠ THẬN TRỌNG: Giữ máy bơm và hộp pin thật chắc khi lắp hoặc tháo hộp pin. Không giữ máy bơm và hộp pin chắc chắn có thể làm trượt chúng khỏi tay và làm hư hỏng máy bơm và hộp pin hoặc gây thương tích cá nhân.

► Hình 2:

1. Chỉ báo màu đỏ
2. Nút
3. Hộp pin

Để tháo hộp pin, hãy trượt pin ra khỏi máy bơm đồng thời trượt nút ở phía trước hộp pin.

Để lắp hộp pin vào, hãy căn chỉnh chốt ở trên hộp pin với rãnh trong vỏ hộp và trượt hộp pin vào đúng vị trí. Lắp hộp pin vào hết mức cho đến khi chốt khóa vào đúng vị trí với một tiếng cách nhẹ. Nếu bạn vẫn còn nhìn thấy chỉ báo màu đỏ ở mặt phía trên của nút, điều đó có nghĩa là chốt vẫn chưa được khóa hoàn toàn.

⚠ THẬN TRỌNG: Luôn lắp hộp pin khớp hoàn toàn vào vị trí cho đến khi không thể nhìn thấy chỉ báo màu đỏ. Nếu không, hộp pin có thể vô tình rơi ra khỏi máy bơm, gây thương tích cho bạn hoặc người khác ở xung quanh.

⚠ THẬN TRỌNG: Không được dùng sức để lắp hộp pin. Nếu hộp pin không nhẹ nhàng trượt vào vị trí, có nghĩa là pin vẫn chưa được lắp chính xác.

GHI CHÚ: Tùy thuộc vào các điều kiện sử dụng và nhiệt độ môi trường xung quanh, chỉ báo có thể khác biệt một chút so với dung lượng pin thực tế.

GHI CHÚ: Đèn chỉ báo đầu tiên (ngoài cùng bên trái) sẽ nhấp nháy khi hệ thống bảo vệ pin hoạt động.

Hệ thống bảo vệ pin

Máy bơm hoặc pin được trang bị hệ thống bảo vệ pin. Hệ thống này sẽ tự động ngắt nguồn điện đến động cơ để kéo dài tuổi thọ pin.

Máy bơm sẽ tự động dừng khi đang vận hành nếu máy bơm và/hoặc pin rơi vào một trong những tình huống sau đây:

Quá tải:

Máy bơm hoặc pin được vận hành theo cách gây ra dòng điện cao bất thường.

Trong trường hợp này, hãy tắt máy bơm và ngừng việc sử dụng khiến cho máy bơm trở nên quá tải. Sau đó bật máy bơm lên để khởi động lại.

Nếu máy bơm không khởi động, điều này có nghĩa là pin đang bị quá nhiệt.

Trong trường hợp này, hãy để pin nguội đi trước khi bật lại máy bơm.

Điện thế pin thấp:

Dung lượng pin còn lại quá thấp và máy bơm sẽ không hoạt động. Trong tình huống này, hãy tháo pin ra và sạc lại.













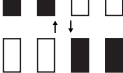

Chỉ báo dung lượng pin còn lại

Chỉ dành cho các hộp pin có bộ chỉ báo

► Hình 3:

1. Các đèn chỉ báo
2. Nút kiểm tra

Nhấn nút kiểm tra trên hộp pin để hiển thị dung lượng pin còn lại. Các đèn chỉ báo sẽ sáng lên trong vài giây.

Các đèn chỉ báo			Dung lượng còn lại
 Sáng	 Tắt	 Nhấp nháy	
			75% đến 100%
			50% đến 75%
			25% đến 50%
			0% đến 25%
			Hãy sạc pin.
			Pin có thể bị trục trặc.

VẬN HÀNH

Khi mới mua, máy bơm không có dầu.
Hãy tham khảo "Thêm dầu" và thêm dầu.

⚠ CẢNH BÁO: Vận hành máy bơm trong điều kiện không bổ sung thêm dầu sẽ gây hư hỏng máy bơm. Hơn nữa, bình chứa dầu sẽ nóng lên và có thể gây bỏng hoặc các tai nạn khác.

Thêm dầu

► Hình 4:

1. Nắp nạp/xả dầu
2. Vạch giới hạn
3. Kính kiểm tra
4. Bình chứa dầu

1. Tháo nắp nạp/xả dầu và thêm dầu được cung cấp vào thông qua cổng rót nạp.

CHÚ Ý: Luôn sử dụng dầu chính hãng của Makita để duy trì hiệu suất của máy bơm.

2. Thêm dầu cho đến khi mức dầu nằm giữa vạch giới hạn trên và giới hạn dưới của kính kiểm tra.

CHÚ Ý: Mức dầu rất quan trọng. Vận hành máy bơm trong điều kiện mức dầu không nằm giữa vạch giới hạn trên và giới hạn dưới có thể dẫn đến trục trặc.

Kiểm tra hiệu suất

► Hình 5:

1. Đường ống nạp (màu vàng)
2. Cổng nạp
3. Bơm chân không
4. Ống góp
5. Van hạ áp
6. Khóa

1. Kết nối van hạ áp của ống góp và cổng nạp của máy bơm bằng đường ống nạp.
2. Khóa van hạ áp của ống góp.
3. Bật máy bơm. Nếu áp suất của ống góp hiển thị giá trị chân không là từ -0,09 đến -0,1 MPa trong 30 giây, máy bơm đang vận hành bình thường.
4. Hãy tắt máy bơm.

Vận hành

► Hình 6:

- Đường ống nạp (màu vàng)
 - Cổng nạp
 - Van bi đệm khí
 - Bơm chân không
 - Đèn LED
 - Pin
 - Đường ống nạp (màu xanh dương)
 - Cổng phân phối (bên áp suất thấp)
 - Dàn nóng
 - Cổng phân phối (bên áp suất cao)
 - Đường ống nạp (màu đỏ)
 - Khóa
 - Van cao áp
 - Ống góp
 - Van hạ áp
 - Khóa
1. Kết nối máy bơm, ống góp và dàn nóng với ống.

GHI CHÚ: Khi kích thước của cổng phân phối trên thiết bị là 1/4", hãy sử dụng bộ chuyển đổi có đường kính khác đã được cung cấp.

- Kiểm tra xem van cao áp và hạ áp của ống góp đã khóa chưa.
- Lắp hai pin vào máy bơm. (Xem "Lắp hoặc tháo hộp pin" để biết phương pháp lắp.)
- Mở van bi đệm khí.
- Bật máy bơm. Đèn LED (ĐỎ) sẽ sáng lên và động cơ vận hành.
- Mở van hạ áp và van cao áp của ống góp.
- Đóng van bi đệm khí sau 5 đến 10 phút.

GHI CHÚ: Van bi đệm khí được sử dụng để loại bỏ nước (hơi nước) và khí ngưng tụ (được đưa vào máy bơm trong quá trình xả) ra khỏi dầu. Nếu khí ngưng tụ hóa lỏng và lẫn vào dầu, điều này có thể gây giảm khả năng bôi trơn và làm giảm tuổi thọ của máy bơm và hàn kín. Khí không khí lọt vào từ van bi đệm khí, khí ngưng tụ duy trì trạng thái ban đầu và được xả ra ngoài cùng với không khí.

Chúng tôi khuyến nghị bạn nên làm nóng máy bơm trước khi vận hành vì nhiệt độ máy bơm càng cao thì hiệu suất dẫn khí càng cao.

- Khi dung lượng pin còn lại (Cổng trái) cạn kiệt, nguồn cấp điện sẽ tự động thay đổi pin (Cổng phải). Hãy tháo pin L (pin bên trái) và thay bằng pin dự phòng. Khi dung lượng còn lại của pin R (pin bên phải) cạn kiệt, nguồn cấp điện lại chuyển sang pin L (pin bên trái). Máy bơm có thể vận hành trong thời gian dài bằng cách sử dụng pin dự phòng được sạc lại nhiều lần đối với L-R-L-R.

⚠ CẢNH BÁO: Máy bơm sẽ nóng lên trong quá trình vận hành và ngay sau khi ngừng. Không chạm vào khu vực xung quanh máy bơm khi máy đang nóng. Nếu không bạn có thể bị bỏng hoặc tai nạn khác.

GHI CHÚ: Động cơ có thể không hoạt động khi trời lạnh (từ 5°C trở xuống). Trong những trường hợp này, hãy mang máy bơm vào nhà và làm cho máy nóng lên.

- Khi đạt đến giá trị chân không chỉ định (tham khảo hướng dẫn do nhà sản xuất máy điều hòa không khí cung cấp), hãy khóa van hạ áp của ống góp.
- Hãy tắt máy bơm.

Kiểm tra độ kín khí

Không có rò rỉ khí nếu áp suất của ống góp không tăng trong khoảng thời gian từ 5 phút trở lên sau khi tháo khỏi máy bơm và ống góp.

GHI CHÚ: Khi dung lượng pin còn lại ít, đèn LED sẽ tắt và đồng thời một tiếng bip dài sẽ bắt đầu vang lên. Khoảng hai phút sau động cơ sẽ ngừng lại. Và sau đó tiếng bip cảnh báo chuyển thành tiếng bip quãng ngắn lặp lại để thông báo động cơ dừng và 30 giây sau tiếng bip dừng lại. Tuy nhiên, đừng đợi cho đến khi động cơ dừng (hoặc tiếng bip báo động chuyển thành tiếng bip ngắn), và thay vào đó hãy khóa van đầu vào của dụng cụ và van phía áp suất thấp của ống góp.

Hãy kiểm tra để đảm bảo rằng máy bơm đã tắt, tháo pin và sạc lại hoặc thay thế bằng pin dự phòng.

- Tham khảo bảng sau để biết thêm thông tin về thời gian vận hành pin.

Thời gian vận hành (hướng dẫn)

Pin	Thời gian vận hành trên mỗi pin
BL1860B	30 phút
BL1850B	25 phút
BL1840B	20 phút
BL1830B	15 phút

- Sau khi kết thúc công việc, hãy tháo pin và gắn nắp đi kèm.

CHÚ Ý: Khi vận chuyển, vận hành và cất giữ dụng cụ, không được đặt dụng cụ nằm nghiêng về một bên hoặc lật ngược. Điều này có thể gây rò rỉ dầu ra khỏi nắp bộ nạp/thông hơi.

BẢO TRÌ

⚠ THẬN TRỌNG: Luôn đảm bảo rằng máy bơm đã được tắt và hộp pin đã được tháo ra trước khi bạn cố gắng thực hiện việc kiểm tra hoặc bảo dưỡng.

CHÚ Ý: Tuyệt đối không được sử dụng xăng, ét xăng, dung môi, cồn hoặc hóa chất tương tự. Có thể xảy ra hiện tượng phai màu, biến dạng hoặc nứt vỡ.

Để đảm bảo ĐỘ AN TOÀN và ĐỘ TIN CẬY của sản phẩm, việc sửa chữa hoặc bất kỳ thao tác bảo trì, điều chỉnh nào khác đều phải được thực hiện bởi Trung tâm Dịch vụ Nhà máy hoặc Trung tâm được Makita Ủy quyền và luôn sử dụng các phụ tùng thay thế của Makita.

Kiểm tra dầu

► Hình 7:

- Vạch giới hạn
 - Kính kiểm tra
- Luôn kiểm tra mức dầu và tình trạng dầu (hư hỏng, v.v...) trước khi sử dụng máy bơm.

GHI CHÚ: Thêm dầu cho đến khi mức dầu nằm giữa vạch giới hạn trên và giới hạn dưới của kính kiểm tra. Lượng dầu là 300 ml.

GHI CHÚ: Mức dầu rất quan trọng. Nếu không nằm giữa vạch giới hạn trên và giới hạn dưới, trực trực có thể xảy ra.

Thay dầu

► Hình 8:

1. Van xả
1. Vận hành máy bơm trong khoảng 1 hoặc 2 phút để làm ấm dầu.
2. Hãy tắt máy bơm.
3. Tháo van xả và xả dầu.
4. Hãy tham khảo “Thêm dầu” và thêm dầu mới.
- Hãy thải bỏ dầu cũ theo quy định của địa phương.

GHI CHÚ: Chúng tôi khuyến nghị bạn nên thay dầu sau 20 giờ sử dụng để bảo vệ các thành phần của máy bơm khỏi các chất bẩn bị hút vào máy bơm.

Khi hút chân không trên hệ thống làm lạnh cũ, hãy thay dầu sau mỗi lần sử dụng.

Làm sạch máy bơm

1. Khi dầu quá bẩn, hãy thay dầu và sau đó vận hành máy bơm trong khoảng 3 đến 5 phút.
2. Xả dầu và thêm dầu mới.
Nếu dầu đã xả vẫn còn bẩn, hãy lập lại quy trình làm sạch này hai đến ba lần.

PHỤ KIỆN TỰ CHỌN

⚠ THẬN TRỌNG: Các phụ kiện hoặc phụ tùng này được khuyến nghị sử dụng với dụng cụ Makita của bạn được chỉ định trong hướng dẫn này. Việc sử dụng bất cứ phụ kiện hoặc phụ tùng nào khác đều có thể gây ra rủi ro thương tích cho người. Chỉ sử dụng phụ kiện hoặc phụ tùng cho mục đích đã được quy định của chúng.

Nếu bạn cần bất kỳ sự hỗ trợ nào để biết thêm thông tin chi tiết về các phụ kiện này, hãy liên hệ với Trung tâm dịch vụ Makita tại địa phương của bạn.

- Dây đeo vai
- Dầu máy bơm chân không 300 ml
- Ống bơm chân không
- Van máy bơm chân không có đồng hồ đo
- Pin và bộ sạc chính hãng của Makita

⚠ THẬN TRỌNG: Khi sử dụng dây đeo vai:

- Không sử dụng dây đeo vai nếu móc bị hỏng hoặc biến dạng.
- Các móc chỉ được thiết kế để sử dụng với dây đeo vai Makita. Không gắn thêm bất kỳ phụ tùng nào khác vào. Sử dụng không đúng mục đích thiết kế có thể gây ra tai nạn hoặc thương tích cá nhân.
- Dây đeo vai được thiết kế để mang máy bơm trên vai của bạn. Không sử dụng dây đeo vai cho các mục đích khác như làm biện pháp chống rơi.
- Không đặt tải quá mức lên dây đeo vai. Làm như vậy có thể gây đứt dây đeo vai hoặc bộ phận lắp và dẫn đến thương tích cá nhân.
- Khi sử dụng dây đeo vai, hãy gắn dây vào các móc trên tay cầm. Đảm bảo rằng dây đeo vai được gắn chặt vào các móc và giữ tay cầm của máy bơm khi mang máy bằng cách sử dụng dây đeo vai.

GHI CHÚ: Một số mục trong danh sách có thể được bao gồm trong đóng gói dụng cụ làm phụ kiện tiêu chuẩn. Các mục này có thể thay đổi tùy theo từng quốc gia.

ข้อมูลจำเพาะ

รุ่น:	DVP181
พิกัดแรงดันไฟฟ้า	ไฟกระแสตรง 18 โวลต์
บีม	บีมโรตารีแบบสองตอน
ความสามารถตั้งอากาศ	113 ลิตร/นาที
ความสามารถทำสูญญากาศ	3 Pa
ความจุน้ำมัน	300 มล.
ท่อดูด	แพลสเตอร์ผู้ 5/16", 3/8"
ขนาด	383 มม. (ยาว) × 193 มม. (กว้าง) × 210 มม. (สูง)
น้ำหนักสุทธิ (รวมแบตเตอรี่ BL1860B สองตัว)	8.2 กก.

- เนื่องจากเรามีโปรแกรมวิจัยและพัฒนาอย่างต่อเนื่อง ข้อมูลจำเพาะในที่นี้อาจมีการเปลี่ยนแปลงโดยไม่ต้องแจ้งให้ทราบ
- ข้อมูลจำเพาะและแบตเตอรี่อาจแตกต่างกันไปในแต่ละประเทศ
- น้ำหนักรวมแบตเตอรี่ตามขั้นตอนใน EPTA-Procedure 01/2014

แบตเตอรี่และเครื่องชาร์จที่สามารถใช้งานได้

แบตเตอรี่	BL1830B(3.0 Ah) / BL1840B(4.0 Ah) / BL1850B(5.0 Ah) / BL1860B(6.0 Ah)
เครื่องชาร์จ	DC18RC / DC18RD / DC18RE / DC18SD / DC18SE / DC18SF / DC18SH

- แบตเตอรี่และเครื่องชาร์จบางรายการที่ระบุไว้ด้านบนอาจไม่สามารถใช้งานได้ ทั้งนี้ขึ้นอยู่กับภูมิภาคที่คุณอาศัยอยู่

คำเตือน: ใช้เฉพาะแบตเตอรี่และเครื่องชาร์จที่ระบุไว้ข้างต้นเท่านั้น การใช้แบตเตอรี่และเครื่องชาร์จแบบอื่น อาจทำให้ได้รับบาดเจ็บและ/หรือเกิดไฟไหม้ได้

สัญลักษณ์

ภาพต่อไปนี้แสดงสัญลักษณ์ที่ใช้สำหรับอุปกรณ์นี้ ควรทำความเข้าใจความหมายของสัญลักษณ์เหล่านี้ก่อนใช้งาน



- อ่านคู่มือใช้งาน



- คำเตือน: พื่นผิวร้อน!
ห้ามสัมผัสบริเวณรอบสัญลักษณ์นี้ การสัมผัสพื้นผิวดังกล่าวอาจก่อให้เกิดรอยไหม้หรือการบาดเจ็บได้



- สำหรับประเทศในสหภาพยุโรปเท่านั้น เนื่องจากในอุปกรณ์มีส่วนประกอบอันตราย ขยะจำพวกอุปกรณ์ไฟฟ้าและอิเล็กทรอนิกส์ แบตเตอรี่ และหม้อแบตเตอรี่จึงอาจส่งผลต่อสิ่งแวดล้อมและสุขภาพของมนุษย์ในเชิงลบ
อย่าทิ้งเครื่องใช้ไฟฟ้าและอิเล็กทรอนิกส์ หรือแบตเตอรี่รวมกับวัสดุเหลือทิ้งในครัวเรือน!

เพื่อให้เป็นไปตามกฎระเบียบของยุโรปว่าด้วยขยะจำพวกอุปกรณ์ไฟฟ้าและอิเล็กทรอนิกส์ และหม้อสะสมไฟฟ้าและแบตเตอรี่ รวมถึงการบังคับใช้ตามกฎหมายภายในประเทศ ควรมีการจัดเก็บขยะจำพวกอุปกรณ์ไฟฟ้า แบตเตอรี่ และหม้อสะสมไฟฟ้าแยกต่างหากและส่งไปยังจุดรับขยะต่างหากในเขตเทศบาลซึ่งมีการดำเนินการตามระเบียบว่าด้วยการดูแลสิ่งแวดล้อม โดยระบุด้วยสัญลักษณ์เส้นคาดขวางรูปถังขยะแบบมีล้อไว้บนอุปกรณ์

คำเตือนด้านความปลอดภัยของเครื่องมือไฟฟ้าทั่วไป

คำเตือน: โปรดอ่านคำเตือนด้านความปลอดภัย คำแนะนำ ภาพประกอบ และข้อมูลจำเพาะต่างๆ ที่ให้มากับเครื่องมือไฟฟ้านี้อย่างละเอียด การไม่ปฏิบัติตามคำแนะนำดังต่อไปนี้ อาจส่งผลให้เกิดไฟฟ้าช็อต ไฟไหม้ และ/หรือได้รับบาดเจ็บอย่างร้ายแรงได้

เก็บรักษาคำเตือนและคำแนะนำทั้งหมดไว้เป็นข้อมูลอ้างอิงในอนาคต

คำว่า "เครื่องมือไฟฟ้า" ในคำเตือนนี้หมายถึงเครื่องมือไฟฟ้า (มีสาย) ที่ทำงานโดยใช้กระแสไฟฟ้าหรือเครื่องมือไฟฟ้า (ไร้สาย) ที่ทำงานโดยใช้แบตเตอรี่

ความปลอดภัยของพื้นที่ทำงาน

1. ดูแลพื้นที่ทำงานให้มีความสะอาดและมีแสงไฟสว่าง พื้นที่กระเบื้องกระเบื้องหรือมีดที่อาจนำไปสู่การเกิดอุบัติเหตุได้
2. อย่าใช้งานเครื่องมือไฟฟ้าในสภาพที่อาจเกิดการระเบิด เช่น ในสถานที่ที่มีของเหลว ก๊าซ หรือฝุ่นผงที่มีคุณสมบัติไวไฟ เครื่องมือไฟฟ้าอาจสร้างประกายไฟและจุดชนวนฝุ่นผงหรือก๊าซดังกล่าว
3. ดูแลไม่ให้มีเด็กๆ หรือบุคคลอื่นอยู่ในบริเวณที่กำลังใช้เครื่องมือไฟฟ้า การมีสิ่งรบกวนสมาธิอาจทำให้คุณสูญเสียการควบคุม

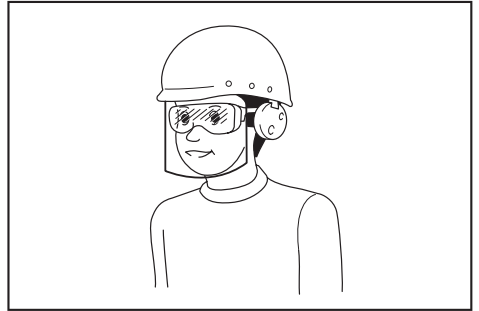
ความปลอดภัยด้านไฟฟ้า

1. ปลั๊กของเครื่องมือไฟฟ้าต้องพอดีกับเต้ารับ อย่าตัดแปลงปลั๊กไม่ว่ากรณีใดๆ อย่าใช้ปลั๊กอะแดปเตอร์กับเครื่องมือไฟฟ้าที่ต่อสายดิน ปลั๊กที่ไม่ถูกตัดแปลงและเต้ารับที่เข้ากันพอดีจะช่วยลดความเสี่ยงของการเกิดไฟฟ้าช็อต
2. ระหว่างอย่าให้ร่างกายสัมผัสกับพื้นผิวที่ต่อสายดิน เช่น ท่อ เครื่องนำความร้อน เตาหม้อต้ม และตู้เย็น มีความเสี่ยงที่จะเกิดไฟฟ้าช็อตสูงขึ้น หากร่างกายของคุณสัมผัสกับพื้น
3. อย่าใช้เครื่องมือไฟฟ้าทุกน้ำหรืออยู่ในสภาพเปียกชื้น น้ำที่ไหลเข้าไปในเครื่องมือไฟฟ้าจะเพิ่มความเสี่ยงของการเกิดไฟฟ้าช็อต
4. อย่าใช้สายไฟอย่างไม่เหมาะสม อย่าใช้สายไฟเพื่อยก ดึง หรือถอดปลั๊กเครื่องมือไฟฟ้า เก็บสายไฟให้ห่างจากความร้อน น้ำมัน ของมีคม หรือชิ้นส่วนที่เคลื่อนที่ สายที่ชำรุดหรือพันกันจะเพิ่มความเสี่ยงของการเกิดไฟฟ้าช็อต
5. ขณะที่ใช้งานเครื่องมือไฟฟ้านอกอาคาร ควรใช้สายต่อพ่วงที่เหมาะสมกับงานภายนอกอาคาร การใช้สายที่เหมาะสมกับงานภายนอกอาคารจะลดความเสี่ยงของการเกิดไฟฟ้าช็อต
6. หากต้องใช้งานเครื่องมือไฟฟ้าในสถานที่เปียกชื้น ให้ใช้อุปกรณ์ป้องกันกระแสไฟฟ้ารั่ว (RCD) การใช้ RCD จะลดความเสี่ยงของการเกิดไฟฟ้าช็อต
7. เครื่องมือไฟฟ้าอาจสร้างสนามแม่เหล็ก (EMF) ที่ไม่เป็นอันตรายต่อผู้ใช้ อย่างไรก็ตาม ผู้ใช้ที่ใส่เครื่องกระตุ้นหัวใจและอุปกรณ์ทางการแพทย์ที่คล้ายกันนี้ควรติดต่อผู้ผลิตอุปกรณ์และ/หรือแพทย์เพื่อรับคำแนะนำก่อนใช้งานเครื่องมือไฟฟ้า

ความปลอดภัยส่วนบุคคล

1. ให้ระมัดระวังและมีสติอยู่เสมอขณะที่ใช้งานเครื่องมือไฟฟ้า อย่าใช้งานเครื่องมือไฟฟ้าในขณะที่คุณกำลังเหนื่อย หรือในสภาพที่มึนเมาจากยาเสพติด เครื่องดื่ม แอลกอฮอล์ หรือการเข้ายา ในช่วงที่ขาดความระมัดระวังเมื่อกำลังใช้งานเครื่องมือไฟฟ้าอาจทำให้ได้รับบาดเจ็บร้ายแรง
2. ใช้อุปกรณ์ป้องกันส่วนบุคคล สวมแผ่นป้องกันเสียง อุปกรณ์ป้องกัน เช่น หน้ากากกันฝุ่น รองเท้ากันภัยกันสแลม หมวกกันกระแทก หรือเครื่องป้องกันการได้ยินที่ใช้ในสภาพที่เหมาะสมจะช่วยลดการบาดเจ็บ
3. ป้องกันไม่ให้เกิดการเปิดใช้งานโดยไม่ตั้งใจ ตรวจสอบให้แน่ใจว่าสวิตช์ปิดอยู่ก่อนที่จะเชื่อมต่อปลั๊กแหล่งจ่ายไฟ และ/หรือชุดแบตเตอรี่ รวมทั้งตรวจสอบก่อนการยกหรือเคลื่อนย้ายเครื่องมือ การถอดนี้ควรมีบริเวณสวิตช์เพื่อถือเครื่องมือไฟฟ้า หรือการชาร์จไฟ เครื่องมือไฟฟ้าในขณะที่เปิดสวิตช์อยู่อาจนำไปสู่การเกิดอุบัติเหตุ
4. นาฬิกาแบบปรับตั้งหรือประแจออกก่อนที่จะเปิดเครื่องมือไฟฟ้า ประแจหรือกุญแจที่เสียบค้างอยู่ในชิ้นส่วนที่หมุนได้อาจทำให้ได้รับบาดเจ็บ
5. อย่าทำงานในระยะที่สุดเอื้อม จัดท่าการยืนและการทรงตัวให้เหมาะสมตลอดเวลา เพราะจะทำให้ควบคุมเครื่องมือไฟฟ้าได้ดียิ่งขึ้นในสถานการณ์ที่ไม่คาดคิด
6. แต่งกายให้เหมาะสม อย่าสวมเครื่องแต่งกายที่หลวมเกินไป หรือสวมเครื่องประดับ คุณจะไม่ให้เสื้อมวมและเสื้อผ้าอยู่ใกล้ชิ้นส่วนที่เคลื่อนที่ เสื้อผ้า ร่ม ร่มม หรือผมที่มีความยาวอาจเข้าไปติดในชิ้นส่วนที่เคลื่อนที่
7. หากมีการจัดอุปกรณ์สำหรับดูดและจัดเก็บฝุ่นไว้ในสถานที่ ให้ตรวจสอบว่าได้เชื่อมต่อและใช้งานอุปกรณ์นั้นอย่างเหมาะสม การใช้เครื่องดูดและจัดเก็บฝุ่นจะช่วยลดอันตรายที่เกิดจากฝุ่นผงได้

8. อย่าให้ความคั่นเคยจากการใช้งานเครื่องมือเป็นประจําทำให้คุณทำตัวตามสบายและละเลยหลักการเพื่อความปลอดภัยในการใช้เครื่องมือ การกระทำที่ไม่ระมัดระวังอาจทำให้เกิดการบาดเจ็บร้ายแรงภายในเสี้ยววินาที
9. สวมใส่แว่นครอบตามนิรภัยเพื่อปกป้องดวงตาของคุณจากขี้เถ้าจากเจ็มน้ำใช้เครื่องมือไฟฟ้า แว่นครอบตาจะต้องได้มาตรฐาน ANSI Z87.1 ในสหรัฐอเมริกา, EN 166 ในยุโรป หรือ AS/NZS 1336 ในออสเตรเลีย/นิวซีแลนด์ ในออสเตรเลีย/นิวซีแลนด์จะต่อสายกรวยป้องกันใบหน้าเพื่อปกป้องใบหน้าของคุณอย่างถูกต้องตามกฎหมายด้วย



ผู้ว่าจ้างมีหน้าที่รับผิดชอบในการบังคับผู้ใช้งานเครื่องมือและบุคคลอื่นๆ ที่อยู่ในบริเวณที่ปฏิบัติงานให้ใช้อุปกรณ์ป้องกันที่เหมาะสม

การใช้และดูแลเครื่องมือไฟฟ้า

1. อย่าฝืนใช้เครื่องมือไฟฟ้า ใช้เครื่องมือไฟฟ้าที่เหมาะสมกับการใช้งานของคุณ เครื่องมือไฟฟ้าที่เหมาะสมจะทำให้ได้งานที่มีประสิทธิภาพและปลอดภัยกว่าตามขีดความสามารถของเครื่องที่ได้รับการออกแบบมา
2. อย่าใช้เครื่องมือไฟฟ้า หากสวิตช์ไม่สามารถเปิดปิดได้ เครื่องมือไฟฟ้าที่ควบคุมด้วยสวิตช์ไม่ได้เป็นสิ่งอันตรายและต้องได้รับการซ่อมแซม
3. ถอดปลั๊กจากแหล่งจ่ายไฟ และ/หรือชุดแบตเตอรี่ออกจากเครื่องมือไฟฟ้าก่อนทำการปรับตั้ง เปลี่ยนอุปกรณ์เสริม หรือจัดเก็บเครื่องมือไฟฟ้า วิธีการป้องกันด้านความปลอดภัยดังกล่าวจะช่วยลดความเสี่ยงในการเปิดใช้งานเครื่องมือไฟฟ้าโดยไม่ตั้งใจ
4. จัดเก็บเครื่องมือไฟฟ้าที่ไม่ได้ใช้งานให้ห่างจากมือเด็ก และอย่าอนุญาตให้บุคคลที่ไม่คุ้นเคยกับเครื่องมือไฟฟ้าหรือคำแนะนำเหล่านี้ใช้งานเครื่องมือไฟฟ้า เครื่องมือไฟฟ้าจะเป็นอันตรายเมื่ออยู่ในมือของผู้ที่ไม่ได้รับการฝึกอบรม
5. บำรุงรักษาเครื่องมือไฟฟ้าและอุปกรณ์เสริม ตรวจสอบการประกอบที่ไม่ถูกต้องหรือการเชื่อมต่อของชิ้นส่วนที่เคลื่อนที่ การเคลื่อนที่ของชิ้นส่วน หรือสภาพอื่นๆ ที่อาจส่งผลกระทบต่อการทำงานของเครื่องมือไฟฟ้า หากมีคำถามเสียหาย ให้นำเครื่องมือไฟฟ้าไปซ่อมแซมก่อนการใช้งาน อุบัติเหตุจำนวนมากเกิดจากการดูแลรักษาเครื่องมือไฟฟ้าอย่างไม่ถูกต้อง
6. ทำความสะอาดเครื่องมือตัดและลับให้คมอยู่เสมอ เครื่องมือการตัดที่มีการดูแลอย่างถูกต้องและมีขอบการตัดคมมักจะมีความปลอดภัยน้อยกว่าเครื่องมือที่ดัดคมมีปัญหาดัดขีดน้อยและควบคุมได้ง่ายกว่า
7. ใช้เครื่องมือไฟฟ้า อุปกรณ์เสริม และวัสดุสิ้นเปลือง ฯลฯ ตามคำแนะนำดังกล่าว ให้ทราบสภาพการทำงานและงานที่จะลงมือทำ การใช้เครื่องมือไฟฟ้าเพื่อทำงานอื่นนอกเหนือจากที่กำหนดไว้อาจทำให้เกิดอันตราย

- ดูแลมือจับและบริเวณมือจับให้แห้ง สะอาด และไม่มีน้ำมันและจาระบีเปื้อน มือจับและบริเวณมือจับที่ปลงจะทำให้ไม่สามารถจับและควบคุมเครื่องมือได้อย่างปลอดภัยในสถานการณ์ที่ไม่คาดคิด
- ขณะใช้งานเครื่องมือ อย่าสวมใส่ถุงมือผ้าที่อาจเข้าไปติดในเครื่องมือได้ หากถุงมือผ้าเข้าไปติดในชิ้นส่วนที่กำลังเคลื่อนที่อยู่อาจทำให้ได้รับบาดเจ็บ

การใช้งานและดูแลเครื่องมือที่ใช้แบตเตอรี่

- ชาร์จไฟใหม่ด้วยเครื่องชาร์จที่ระบุโดยผู้ผลิตเท่านั้น เครื่องชาร์จที่เหมาะสมสำหรับชุดแบตเตอรี่ประเภทหนึ่งอาจเสี่ยงที่จะเกิดไฟไหม้หากนำไปใช้กับชุดแบตเตอรี่อีกประเภทหนึ่ง
- ใช้เครื่องมือไฟฟ้ากับชุดแบตเตอรี่ที่กำหนดมาโดยเฉพาะเท่านั้น การใช้ชุดแบตเตอรี่ประเภทอื่นอาจทำให้เสี่ยงที่จะได้รับบาดเจ็บและเกิดไฟไหม้
- เมื่อไม่ใช้งานชุดแบตเตอรี่ ให้เก็บห่างจากรั้วที่เป็นโลหะอื่น ๆ เช่น คลิปหนีบกระดาษ เหรียญ กุญแจ กรรไกรตัดเล็บ สกรู หรือวัตถุที่เป็นโลหะขนาดเล็กอื่น ๆ ที่สามารถเชื่อมต่อขั้วหนึ่งกับขั้วหนึ่งได้ การสังเกตขั้วรับแบตเตอรี่อาจทำให้ร้อนจัดหรือเกิดไฟไหม้
- ในกรณีที่ใช้งานไม่ถูกต้อง อาจมีของเหลวไหลออกจากแบตเตอรี่ ให้หลีกเลี่ยงการสัมผัส หากสัมผัสโดนของเหลวโดยไม่ตั้งใจ ให้ล้างออกด้วยน้ำ หากของเหลวกระเด็นเข้าตา ให้รีบไปพบแพทย์ ของเหลวที่ไหลออกจากแบตเตอรี่อาจทำให้ผิวหนังระคายเคืองหรือไหม้
- ห้ามใช้ชุดแบตเตอรี่หรือเครื่องมือที่ชำรุดหรือมีการแก้ไข แบตเตอรี่ที่เสียหายหรือมีการแก้ไขอาจทำให้เกิดสิ่งที่คาดไม่ถึงได้ เช่น ไฟไหม้ ระเบิด หรือเสียงต่อการบาดเจ็บ
- ห้ามใช้ชุดแบตเตอรี่อยู่ใกล้ไฟ หรือบริเวณที่มีอุณหภูมิสูงเกิน หากโดนไฟ หรืออุณหภูมิสูงเกิน 130 °C อาจก่อให้เกิดการระเบิดได้
- กรุณาปฏิบัติตามคำแนะนำสำหรับการชาร์จไฟ และห้ามชาร์จแบตเตอรี่หรือเครื่องมือในบริเวณที่มีอุณหภูมิออกเหนือไปจากที่ระบุในคำแนะนำ การชาร์จไฟที่ไม่เหมาะสม หรืออุณหภูมิออกเหนือไปจากช่วงอุณหภูมิที่ระบุในคำแนะนำอาจทำให้แบตเตอรี่เสียหายและเป็นการเพิ่มความเสี่ยงในการเกิดไฟไหม้

การซ่อมบำรุง

- นำเครื่องมือไฟฟ้าเข้ารับการบริการจากช่างซ่อมที่ผ่านการรับรองโดยใช้อะไหล่แบบเดียวกันเท่านั้น เพราะจะทำให้การใช้เครื่องมือไฟฟ้ามีความปลอดภัย
- ห้ามใช้ชุดแบตเตอรี่ที่เสียหาย ชุดแบตเตอรี่ที่ใช้ควรเป็นชุดที่มาจากผู้ผลิต หรือผู้ให้บริการที่ได้รับอนุญาตเท่านั้น
- ปฏิบัติตามคำแนะนำในการหล่อนและการเปลี่ยนอุปกรณ์เสริม

คำแนะนำด้านความปลอดภัยสำหรับปั๊มสุญญากาศแบบไร้สาย

- เครื่องมือไฟฟ้าที่เป็นเครื่องชนิดที่ใช้ในการไล่อากาศจากระบบทำความเย็นรวมทั้งเครื่องปรับอากาศและเรือเก็บกัก ห้ามใช้เครื่องมือนี้ในลักษณะอื่น การกระทำดังกล่าวอาจส่งผลให้เกิดอุบัติเหตุได้
- หมั่นตรวจสอบการรั่วไหลของน้ำมันจากเครื่องมือไฟฟ้าที่ก่อนการใช้งาน หากไม่เช่นนั้นอาจก่อให้เกิดเพลิงไหม้ได้
- ตรวจสอบสภาพและระดับของน้ำมัน (การเสื่อมสภาพ เป็นต้น) เพื่อให้ทำงานได้อย่างปลอดภัยและมีประสิทธิภาพ

- ในสภาพที่มีอากาศร้อนจัดหรือหนาวจัด เครื่องอาจมีประสิทธิภาพการทำงานไม่เพียงพอ

เก็บคู่มือแนะนำไว้

คำเตือน: อย่าปล่อยให้ความสะอาดสบายหรือความคุ้นเคยกับผลิตภัณฑ์ (ที่มาจากการใช้งานซ้ำๆ) มาแทนที่การมีดมึนในกฎเกณฑ์ด้านความปลอดภัยสำหรับผลิตภัณฑ์

การใช้งานไม่ถูกวิธีหรือการไม่ปฏิบัติตามกฎเกณฑ์ด้านความปลอดภัยอาจทำให้ระบุไว้ในคู่มือใช้งานนี้อาจทำให้ได้รับบาดเจ็บสาหัสได้

คำแนะนำสำคัญด้านความปลอดภัยสำหรับแบตเตอรี่

- ก่อนใช้งานแบตเตอรี่ โปรดอ่านคำแนะนำและสัญลักษณ์เตือนทั้งหมดซึ่งปรากฏอยู่ที่ (1) เครื่องชาร์จแบตเตอรี่ (2) แบตเตอรี่ และ (3) ผลิตภัณฑ์ที่ใช้แบตเตอรี่
- ห้ามถอดแยกชิ้นส่วนแบตเตอรี่
- หากเวลาในการใช้งานลดลงเร็วผิดปกติ ให้หยุดใช้งานโดยทันที เนื่องจากอาจก่อให้เกิดอันตรายจากความร้อนสูงเกิน รอยไหม้และการระเบิดได้
- ในกรณีที่สารอิเล็กโทรไลต์กระเด็นเข้าดวงตา ให้ล้างออกด้วยน้ำสะอาดและรีบไปพบแพทย์ในทันที และอาจทำให้ตาบอดได้
- ห้ามดวงจรัสไฟในแบตเตอรี่:
 - อย่าให้วัสดุนำไฟฟ้าสัมผัสกับขั้วแบตเตอรี่
 - หลีกเลี่ยงการจัดเก็บแบตเตอรี่ในที่เก็บซึ่งมีวัตถุอื่น ๆ ที่เป็นโลหะ เช่น ตะปู เหรียญ เป็นต้น
 - อย่าให้แบตเตอรี่เปียกน้ำหรือถูกฝน การล้างดวงจรัสแบตเตอรี่อาจทำให้เกิดการไหลของกระแสไฟฟ้าเป็นปริมาณมาก ความร้อนสูงเกิน รอยไหม้และการชำรุดเสียหายได้
- อย่าจัดเก็บและใช้เครื่องมือรวมทั้งแบตเตอรี่ไว้ในสถานที่ซึ่งอุณหภูมิอาจสูงถึงหรือเกินกว่า 50°C
- ห้ามเผาแบตเตอรี่ แม้ว่าแบตเตอรี่นั้นจะได้รับความเสียหายอย่างร้ายแรงหรือชำรุดเต็มที่แล้วก็ห้ามแบตเตอรี่สามารถระเบิดได้โดยเปลวไฟ
- ระวังอย่าให้แบตเตอรี่ตกพื้นหรือถูกกระแทก
- ห้ามใช้แบตเตอรี่ที่ชำรุดเสียหาย
- ปฏิบัติตามกฎระเบียบท้องถิ่นที่เกี่ยวข้องกับการกำจัดทั้งแบตเตอรี่
- แบตเตอรี่ลิเธียม-ไอออนในตัวต้องเป็นไปตามข้อกำหนดแห่งกฎหมายว่าด้วยสินค้าอันตรายเมื่อจะทิ้งแบตเตอรี่ ให้ถอดแบตเตอรี่ออกจากเครื่องมือและทิ้งในสถานที่ที่ปลอดภัย ปฏิบัติตามกฎหมายท้องถิ่นในสาขาที่เกี่ยวข้องกับการกำจัดแบตเตอรี่
- ใช้แบตเตอรี่ร่วมกับผลิตภัณฑ์ที่ Makita ระบุไว้เท่านั้น
- ถ้าไม่มีการใช้งานเครื่องมือเป็นเวลานาน ต้องถอดแบตเตอรี่ออกจากเครื่องมือ
- ในระหว่างและหลังจากการใช้งาน แบตเตอรี่อาจมีความร้อนซึ่งอาจก่อให้เกิดแผลไหม้หรือแผลไหม้จากการสัมผัสวัสดุอุณหภูมิต่ำได้
- อย่าสัมผัสขั้วของเครื่องมือทันทีหลังจากที่ใช้งานเสร็จ เนื่องจากอาจมีความร้อนมากพอที่จะทำให้เกิดแผลไหม้ได้
- อย่าปล่อยให้เศษวัสดุ ฟุ้งผง หรือดินทรายเข้าไปอุดตัน หรือร่องต่าง ๆ ของแบตเตอรี่ เนื่องจากอาจทำให้เครื่องมือหรือแบตเตอรี่ทำงานไม่ได้หรือชำรุดเสียหาย

- ห้ามใช้แบตเตอรี่ใกล้กับสายไฟฟ้าแรงดันสูง ยกเว้นในกรณีที่เครื่องมือรองรับการใช้งานใกล้กับสายไฟฟ้าแรงดันสูงเท่านั้น
- เก็บแบตเตอรี่ให้พ้นจากมือเด็ก

เก็บคู่มือแนะนำไว้

⚠️ ข้อควรระวัง: ใช้เฉพาะแบตเตอรี่แท้ของ Makita เท่านั้น การใช้แบตเตอรี่ Makita ที่ไม่ใช่ของแท้ หรือแบตเตอรี่ซึ่งได้ผ่านการดัดแปลงอาจส่งผลให้แบตเตอรี่ระเบิดได้ซึ่งจะก่อให้เกิดเพลิงไหม้ การบาดเจ็บและความเสียหายได้นอกจากนี้ยังถือว่าเป็นการสิ้นเปลืองการรับประกันสำหรับเครื่องมือและเครื่องชาร์จของ Makita อีกด้วย

คำแนะนำสำหรับการยืดอายุการใช้งานแบตเตอรี่

- ชาร์จแบตเตอรี่ก่อนที่จะหมด หยุดใช้งานเครื่องทุกครั้งและชาร์จแบตเตอรี่ เมื่อพบว่ามีกำลังไฟเหลือน้อย
- ห้ามชาร์จแบตเตอรี่ที่ชาร์จไฟไว้เต็มแล้ว การชาร์จไฟมากเกินไปจะก่อให้เกิดแบตเตอรี่มีอายุการใช้งานสั้นลง
- ชาร์จแบตเตอรี่ที่อุณหภูมิห้องในช่วง 10°C - 40°C ปล่อยให้แบตเตอรี่เย็นลงก่อนที่จะชาร์จไฟ
- เมื่อไม่ได้ใช้งานแบตเตอรี่ ให้ถอดแบตเตอรี่ออกจากเครื่องมือหรือเครื่องชาร์จ
- ควรชาร์จไฟแบตเตอรี่ เมื่อไม่ได้ใช้งานเป็นเวลานาน (มากกว่าหกเดือน)

รายละเอียดเกี่ยวกับชิ้นส่วน

▶ รูป 1:

- | | |
|--------------------------------|------------------------------------|
| 1. ท่อดูด 3/8" | 11. มอเตอร์ |
| 2. วาล์วบัลลัสต์แก๊ส | 12. ไฟ LED |
| 3. ฝาปิดของเติมน้ำมัน/ไฮดรอลิก | 13. สวิตช์เปิด/ปิด |
| 4. ท่อดูด 5/16" | 14. ส่วนป้องกันแบตเตอรี่ |
| 5. กระจกมอระดပ် | 15. ที่ยึดแบตเตอรี่ |
| 6. วาล์วระบาย | 16. แบตเตอรี่ (ที่ช่องต่อด้านซ้าย) |
| 7. ถังน้ำมัน | 17. แบตเตอรี่ (ที่ช่องต่อด้านขวา) |
| 8. บริเวณโดยรอบบีม | 18. มือจับ |
| 9. โขลिनอยต์วาล์ว | 19. ครอบสายไฟ |
| 10. ฐาน | |

รายละเอียดเกี่ยวกับการทำงาน

⚠️ ข้อควรระวัง: ตรวจสอบให้แน่ใจทุกครั้งว่าได้ปิดสวิตช์บีมและถอดแบตเตอรี่ออกก่อนทำการปรับหรือตรวจสอบการทำงานของบีม

การใส่หรือการถอดแบตเตอรี่

⚠️ ข้อควรระวัง: ปิดสวิตช์บีมก่อนใส่หรือถอดแบตเตอรี่ทุกครั้ง

⚠️ ข้อควรระวัง: จับบีมและแบตเตอรี่ไว้ให้มั่นคงในขณะที่ใส่หรือถอดแบตเตอรี่ บีมและแบตเตอรี่อาจเลื่อนหลุดจากมือหากถือไว้ไม่มั่นคง และทำให้บีมและแบตเตอรี่เกิดความเสียหายรวมทั้งเกิดการบาดเจ็บได้

▶ รูป 2:

1. ไฟแสดงสถานะสีแดง
2. บีม
3. แบตเตอรี่

เมื่อต้องการถอดแบตเตอรี่ ให้ดันแบตเตอรี่ออกจากบีมพร้อมกับเลื่อนปุ่มทางด้านหน้าของแบตเตอรี่

เมื่อต้องการใส่แบตเตอรี่ ให้ปรับตำแหน่งสลักที่แบตเตอรี่ให้เข้ากับร่องที่ตัวเครื่องแล้วดันให้เข้าที่ ใส่แบตเตอรี่เข้าไปให้สุดจนล็อกเข้าที่โดยจะได้ยินเสียงคลิกเบาๆ หากไฟแสดงสถานะสีแดงบริเวณเหนือปุ่มติดสว่างขึ้น แสดงว่ายังล็อกแบตเตอรี่ไม่เรียบร้อย

⚠️ ข้อควรระวัง: ใส่แบตเตอรี่เข้าไปจนสุดทุกครั้งจนกว่าจะไฟแสดงสถานะสีแดงจะดับ หากใส่แบตเตอรี่เข้าไปไม่สุด อาจเกิดอันตรายจากแบตเตอรี่หลุดออกจากบีมทำให้ท่านหรือบุคคลรอบข้างเกิดการบาดเจ็บได้

⚠️ ข้อควรระวัง: ห้ามฝืนใส่แบตเตอรี่เข้าไปในเครื่อง หากดันแบตเตอรี่เข้าไปไม่สะดวก แสดงว่าใส่แบตเตอรี่ไม่ถูกต้อง

ระบบนิรภัยแบตเตอรี่

บีมหรือแบตเตอรี่ได้ติดตั้งระบบนิรภัยแบตเตอรี่ไว้ ระบบนิรภัยนี้จะตัดการจ่ายกระแสไฟไปยังมอเตอร์โดยอัตโนมัติเมื่อเกิดการชาร์จแบตเตอรี่

บีมก็จะหยุดทำงานโดยอัตโนมัติ ในกรณีที่บีมและ/หรือแบตเตอรี่อยู่ในสภาพใดสภาพหนึ่งดังต่อไปนี้:

ใช้งานเกินกำลัง:

บีมหรือแบตเตอรี่ทำงานในลักษณะที่ส่งผลให้เกิดการใช้กระแสไฟสูงผิดปกติ

ในกรณีดังกล่าว ในปิดสวิตช์การทำงานบีมแล้วเลิกใช้งานในลักษณะที่ส่งผลให้บีมทำงานเกินกำลัง จากนั้นเปิดสวิตช์บีมเพื่อให้เครื่องเริ่มทำงานอีกครั้ง

หากบีมไม่ทำงาน แบตเตอรี่อาจร้อนเกินไป

ในกรณีดังกล่าว ควรปล่อยให้แบตเตอรี่เย็นลงก่อนเปิดสวิตช์บีมอีกครั้ง

แบตเตอรี่มีแรงดันไฟฟ้าต่ำ:

แบตเตอรี่มีความจุเหลืออยู่น้อยเกินไป และบีมก็จะไม่ทำงาน ในกรณีดังกล่าว ให้ถอดแบตเตอรี่ออกแล้วชาร์จแบตเตอรี่อีกครั้ง


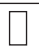







การแสดงความจุแบตเตอรี่ที่เหลืออยู่

เฉพาะแบตเตอรี่ที่มีตัวแสดงสถานะบีม

▶ รูป 3:

1. ไฟแสดงสถานะ
2. ปุ่มตรวจสอบ

กดปุ่มตรวจสอบที่แบตเตอรี่เพื่อดูความจุแบตเตอรี่ที่เหลืออยู่ ไฟแสดงสถานะจะติดสว่างอยู่สองสามวินาที

ไฟแสดงสถานะ			ความจุที่เหลืออยู่
 ดัดสว่าง	 ดับ	 กะพริบ	
			75% ถึง 100%
			50% ถึง 75%
			25% ถึง 50%
			0% ถึง 25%
			ชาร์จแบตเตอรี่
			แบตเตอรี่อาจทำงานผิดปกติ

หมายเหตุ: การแสดงสถานะอาจแตกต่างจากความจุแบตเตอรี่ที่แท้จริงไปบ้างเล็กน้อย ทั้งนี้ขึ้นกับสภาพการใช้งานและอุณหภูมิสภาพแวดล้อม

หมายเหตุ: ไฟแสดงสถานะดวงแรก (ด้านซ้ายสุด) จะกะพริบ เมื่อระบบป้องกันแบตเตอรี่ทำงาน

การใช้งาน

ปั๊มที่ซื้อใหม่จะไม่มีน้ำมันอยู่ในโปรตุ "การเติมน้ำมัน" แล้วจึงเติมน้ำมัน

คำเตือน: การใช้งานปั๊มในโดยไม่ได้อัดเติมน้ำมันจะทำให้ปั๊มเสียหายได้ นอกจากนี้ ถังน้ำมันจะร้อนและอาจเกิดรอยไหมหรืออุบัติเหตุในลักษณะอื่นได้

การเติมน้ำมัน

► รูป 4:

- ฝาช่องเติมน้ำมัน/ช่องระบายอากาศ
- ขีดระดับน้ำมัน
- กระจกอมระดับ
- ถังน้ำมัน

- เปิดฝาช่องเติมน้ำมัน/ช่องระบายอากาศ แล้วเทน้ำมันที่เตรียมไว้ผ่านช่องเติมลงไป

ข้อควรสังเกต: ใช้เฉพาะน้ำมันของแท้ของ Makita ทุกครั้งเพื่อให้มีประสิทธิการทำงานที่ดีที่สุดอยู่เสมอ

- เติมน้ำมันจนระดับน้ำมันอยู่ระหว่างขีดระดับสูงสุดกับขีดระดับต่ำสุดของกระจกอมระดับ

ข้อควรสังเกต: ระดับน้ำมันมีความสำคัญ การใช้งานปั๊มโดยที่ระดับน้ำมันไม่อยู่ระหว่างขีดระดับสูงสุดกับขีดระดับต่ำสุดอาจทำให้ปั๊มทำงานผิดปกติได้

การตรวจสอบประสิทธิภาพการทำงาน

► รูป 5:

- ท่อชาร์จ (สีเหลือง)
- ท่อดูด
- บีม์สญญาภาค
- ท่อร่วม
- วาล์วด้านต่ำ
- ปิด

- ต่อสายชาร์จเข้ากับวาล์วด้านต่ำของท่อร่วมและท่อดูดของบีม์
- ปิดวาล์วด้านต่ำของท่อร่วม
- เปิดสวิตช์บีม์ หากความดันของท่อร่วมแสดงค่าความดันสญญาภาคในช่วง -0.09 ถึง -0.1 MPa ภายใน 30 วินาที บีม์ก็จะทำงานได้อย่างถูกต้อง
- ปิดสวิตช์บีม์

การใช้งาน

► รูป 6:

- ท่อชาร์จ (สีเหลือง)
- ท่อดูด
- วาล์วบลาลาสต์แก๊ส
- บีม์สญญาภาค
- ไฟ LED
- แบตเตอรี่
- ท่อชาร์จ (สีฟ้า)
- ช่องเซอร์วิส (ด้านแรงดันต่ำ)
- ตัวเครื่องภายนอก
- ช่องเซอร์วิส (ด้านแรงดันสูง)
- ท่อชาร์จ (สีแดง)
- ปิด
- วาล์วด้านสูง
- ท่อร่วม
- วาล์วด้านต่ำ
- ปิด

- ต่อสายเข้ากับบีม์ ท่อร่วมและตัวเครื่องภายนอก

หมายเหตุ: เมื่อช่องเซอร์วิสที่ตัวเครื่องภายนอกมีขนาด 1/4" จะต้องใช้อะแดปเตอร์ขนาดต่างๆ ที่มาพร้อมกับเครื่อง

- ตรวจสอบวาล์วด้านสูงและวาล์วด้านต่ำของท่อร่วมปิดอยู่
- ติดตั้งแบตเตอรี่สองตัวเข้ากับบีม์ (ดูวิธีการติดตั้งในสวน "การใส่หรือการถอดแบตเตอรี่")
- เปิดวาล์วบลาลาสต์แก๊ส
- เปิดสวิตช์ให้บีม์เริ่มทำงาน ไฟ LED (สีแดง) จะติดสว่างและมอเตอร์จะทำงาน
- เปิดวาล์วด้านต่ำและวาล์วด้านสูงของท่อร่วม
- ปิดวาล์วบลาลาสต์แก๊สหลังจากที่ผ่านไป 5 ถึง 10 นาที

หมายเหตุ: วาล์วบลาลาสต์แก๊สใช้เพื่อปัมน้ำ (โอน้ำ) และแก๊สที่สามารถควบแน่นได้ (ที่เข้าไปในบีม์ในระหว่างการขับอากาศออก) ออกจากน้ำมัน หากแก๊สที่สามารถควบแน่นได้กลายเป็นของเหลวและเข้าไปในน้ำมัน อาจทำให้ความดันของน้ำมันลดลง รวมทั้งทำให้บีม์และซีลมีอายุการใช้งานสั้นลง เมื่ออากาศไหลผ่านวาล์วบลาลาสต์แก๊สเข้าไป แก๊สที่ควบแน่นจะยังคงอยู่ในสภาพเดิมและจะถูกขับออกไปพร้อมกับอากาศ

ขอแนะนำให้อุ่นเครื่องบีม์ก่อนเริ่มใช้งาน เนื่องจากหากบีม์มีอุณหภูมิสูงขึ้น การบลาลาสต์แก๊ส (การยั้งยั้งสภาวะของแก๊ส) จะยังมีประสิทธิภาพมากขึ้น

- เมื่อความจุแบตเตอรี่ที่เหลืออยู่ (ที่ช่องต่อต้านซ้าย) หมดลง แหล่งจ่ายไฟจะทำการเปลี่ยนไปใช้แบตเตอรี่ (ที่ช่องต่อต้านขวา) โดยอัตโนมัติ ถอดแบตเตอรี่ด้านซ้าย (L) ออก แล้วเปลี่ยนเป็นแบตเตอรี่สำรอง เมื่อความจุแบตเตอรี่ที่เหลืออยู่ของแบตเตอรี่ด้านขวา (R) หมดลง แหล่งจ่ายไฟจะเปลี่ยนไปใช้แบตเตอรี่ด้านซ้าย (L) อีกครั้ง บีม์สามารถทำงานเป็นเวลานานได้โดยใช้แบตเตอรี่สำรองที่ชาร์จไว้แล้วไปมาซ้ำ ๆ ระหว่างด้านซ้ายและด้านขวา (L-R-L-R)

คำเตือน: บีม์จะร้อนในระหว่างที่มีการใช้งานและทันทีหลังจากหยุดการใช้งาน อย่างไรก็ตามโดยรอบบีม์ที่ยังร้อนอยู่ เนื่องจากอากาศทำให้เกิดแผลไหม้หรืออุบัติเหตุในลักษณะอื่นได้

หมายเหตุ: มอเตอร์อาจไม่ทำงาน เมื่อมีอุณหภูมิต่ำ (5°C หรือต่ำกว่า) ในกรณีดังกล่าว ให้นำบีม์เข้าภายในอาคารและปล่อยให้มอ์อุณหภูมิสูงขึ้น

- เมื่อความดันระบบถึงระดับความดันสัญญาณก็ตามที่กำหนด (โปรดดูจากคู่มือของผู้ผลิตเครื่องปรับอากาศ) ให้ปิดวาล์วด้านต่ำของท่อร่วม
- ปิดสวิตช์ปั๊ม

การทดสอบสภาพสัญญาณภาค

ไม่มีการรั่วไหลหากความดันของท่อร่วมไม่เพิ่มขึ้นตั้งแต่ 5 นาทีเป็นต้นไป หลังจากที่ปล่อยให้ปั๊มและท่อร่วมทำงาน

หมายเหตุ: เมื่อแบบเตอรี่มีความจุเหลืออยู่น้อย ไฟ LED จะดับ และในขณะเดียวกัน เสียงบีบเตือนยาวๆ จะเริ่มดังขึ้นประมาณสองนาทีก่อนหน้านั้น มอเตอร์จะหยุดทำงาน จากนั้นเสียงบีบเตือนจะเปลี่ยนเป็นเสียงบีบสั้นๆ ดังเข้าไปเข้ามา ซึ่งจะแจ้งให้ทราบว่ามีมอเตอร์หยุดทำงานและอีก 30 วินาทีหลังจากนั้น เสียงบีบจะหยุดลง อย่างไรก็ตาม อยากรองจนกระทั่งมอเตอร์หยุดทำงาน (หรือรอให้เสียงบีบเปลี่ยนเป็นเสียงบีบสั้นๆ) แต่ควรปิดวาล์วอากาศเข้าของเครื่องมือและวาล์วด้านตรงด้านต่ำของท่อร่วม

- ตรวจสอบว่าได้ปิดสวิตช์ปั๊ม ถอดแบตเตอรี่ออกจากปั๊มและชาร์จแบตเตอรี่หรือนำแบตเตอรี่สำรองมาเปลี่ยนแทนแล้ว
- โปรดดูตารางต่อไปนี้ หากต้องการทราบข้อมูลเวลาในการทำงานแบบเตอรี่

เวลาในการทำงาน (แนวทางปฏิบัติ)

แบตเตอรี่	เวลาทำงานต่อหนึ่งตัว
BL1860B	30 นาที
BL1850B	25 นาที
BL1840B	20 นาที
BL1830B	15 นาที

- หลังจากใช้งานเสร็จ ให้ถอดแบตเตอรี่ออกแล้วใส่ฝาครอบปั๊มที่มาพร้อมกับเครื่อง

ข้อควรสังเกต: เมื่อขนย้าย ใช้งาน และจัดเก็บเครื่องมือ อย่าวางเครื่องมือกลับด้าน หรือวางโดยเอาด้านข้างลง เพราะอาจทำให้น้ำมันรั่วไหลออกจากช่องเติมน้ำมัน/ฝาของระบบไฮดรอลิก

การบำรุงรักษา

⚠️ ข้อควรระวัง: ตรวจสอบให้แน่ใจทุกครั้งว่าได้ปิดสวิตช์ปั๊มและถอดแบตเตอรี่ออกแล้วทุกครั้งก่อนที่จะทำการตรวจสอบหรือบำรุงรักษา

ข้อควรสังเกต: อย่าใช้น้ำมันแกลโซลีน เบนซิน ทินเนอร์ แอลกอฮอล์ หรือสิ่งอื่นที่คล้ายกัน เพราะอาจเกิดการเปลี่ยนสี เปลี่ยนรูปร่างหรือรอยแตกได้

เพื่อให้ผลิตภัณฑ์ยังคงมีความปลอดภัยและเชื่อถือได้ การซ่อมแซม การบำรุงรักษาอื่นใด หรือการปรับแต่งใดๆ จะต้องทำโดยศูนย์บริการของโรงงานหรือศูนย์บริการที่ได้รับแต่งตั้งของ Makita และควรใช้ชิ้นส่วนอะไหล่ของ Makita เสมอ

การตรวจสอบน้ำมัน

▶ รูป 7:

- ขีดระดับน้ำมัน
 - กระบอกมอระดบ
- หมั่นตรวจสอบสภาพและระดับน้ำมัน (การเสื่อมสภาพเป็นต้น) อยู่เสมอ ก่อนใช้งานปั๊ม

หมายเหตุ: เติมน้ำมันจนกระทั่งระดับน้ำมันอยู่ระหว่างขีดบนและขีดล่างของกระบอกมอระดบ ปริมาณน้ำมันจะเท่ากับ 300 มล.

หมายเหตุ: ระดับน้ำมันเป็นสิ่งสำคัญ หากระดับน้ำมันไม่ได้อยู่ระหว่างขีดบนและขีดล่าง อาจทำให้เกิดการทำงานผิดปกติได้

การเปลี่ยนถ่ายน้ำมัน

▶ รูป 8:

- วาล์วระบาย
- เดินเครื่องปั๊มเป็นเวลา 1 หรือ 2 นาที เพื่ออุ่นน้ำมัน
 - ปิดสวิตช์ปั๊ม
 - ถอดวาล์วระบายแล้วระบายน้ำมันออก
 - โปรดดู "การเติมน้ำมัน" แล้วจึงเติมน้ำมันชุดใหม่
- ทั้งน้ำมันเก่าตามที่กฎระเบียบท้องถิ่นกำหนด

หมายเหตุ: แนะนำให้เปลี่ยนน้ำมันหลังจากใช้งานไปแล้ว 20 ชั่วโมง เพื่อป้องกันไม่ให้อสิ่งแปลกปลอมเข้าสู่ปั๊มและสร้างความเสียหายต่อชิ้นส่วนประกอบต่างๆ ของปั๊ม
ขณะใช้งานเพื่อลดอากาศให้ระบบทำความเย็นที่เก่าให้เปลี่ยนน้ำมันหลังจากใช้งานทุกครั้ง

การทำความสะอาดปั๊ม

- เมื่อน้ำมันสกปรกมาก ให้เปลี่ยนน้ำมันแล้วเปิดเครื่องให้ทำงาน 3 ถึง 5 นาที
 - ถ่ายน้ำมันเก่าออกแล้วเติมน้ำมันใหม่ลงไป
- หากน้ำมันที่ถ่ายออกมา ยังคงสกปรกอยู่ ให้ทำตามขั้นตอนทำความสะอาดที่ข้างกล่องหรือสามารถ

อุปกรณ์เสริมที่เลือกได้

⚠️ ข้อควรระวัง: แนะนำให้ใช้อุปกรณ์เสริมหรือส่วนต่อเพิ่มเติมเหล่านี้กับเครื่องมือ Makita ของท่านตามที่ระบุไว้ในคู่มือนี้ การใช้อุปกรณ์เสริมหรือส่วนต่อเพิ่มเติมใดอาจทำให้เสี่ยงต่อการบาดเจ็บได้ ใช้อุปกรณ์เสริมหรือส่วนต่อเพิ่มเติมเพื่อจุดประสงค์ตามที่ได้ระบุไว้เท่านั้น

หากท่านต้องการความช่วยเหลือใดๆ ในการขอทราบรายละเอียดเพิ่มเติมเกี่ยวกับอุปกรณ์เสริมเหล่านี้ โปรดสอบถามกับศูนย์บริการ Makita ใกล้บ้านคุณ

- สายสะพาย
- น้ำมันมีสัญญาณภาค 300 มล.
- สายปั๊มสัญญาณภาค
- วาล์วพร้อมเกจวัดปั๊มสัญญาณภาค
- แบตเตอรี่และเครื่องชาร์จของแท้ของ Makita

⚠ ข้อควรระวัง: เมื่อใช้สายสะพาย:

- ห้ามใช้สายสะพายหาคตะขอชำรุดหรือผิดรูป
- ตะขอมือไว้สำหรับใช้กับสายสะพายของ **Makita** เท่านั้น ห้ามยึดติดกับส่วนต่อเพิ่มเติม การใช้เพื่อจุดประสงค์ที่ไม่ได้ตั้งใจอาจทำให้เกิดอุบัติเหตุหรือได้รับบาดเจ็บได้
- สายสะพายมีไว้สำหรับเคลื่อนย้ายปัมโดยสะพายไว้บนบ่าของคุณ ห้ามใช้เพื่อจุดประสงค์อื่น เช่น การป้องกันการตกกระแทก
- ห้ามให้สายสะพายรับน้ำหนักมากเกินไป มิฉะนั้นอาจทำให้สายสะพายหรือส่วนยึดขาดและอาจทำให้ได้รับบาดเจ็บได้
- เมื่อใช้สายสะพาย ให้ติดเข้ากับตะขอตรงมือจับ ตรวจสอบให้แน่ใจว่าสายสะพายยึดติดกับตะขออย่างแน่นหนาและจับที่มีมือจับของปัมเมื่อมีการเคลื่อนย้ายโดยใช้สายสะพาย

หมายเหตุ: บางผลิตภัณฑ์ในรายการนี้อาจรวมอยู่ในบรรจภัณฑ์ของเครื่องเป็นอุปกรณ์เสริมมาตรฐาน ทั้งนี้อาจแตกต่างกันในแต่ละประเทศ

目录	页码
规格.....	41
电动工具通用安全警告.....	42
充电式真空泵安全警告.....	44
关于电池的重要安全说明.....	44
部件描述.....	44
功能描述.....	45
操作.....	45
维护.....	47
选购附件.....	47

规格

机型：	DVP181
额定电压	D.C. 18 V
泵	两级旋转泵
自由排气能力	113 L/min
最高真空压	3 Pa
油容量	300 ml
进气口	5/16", 3/8" 扩口公
尺寸	383 mm (长) × 193 mm (宽) × 210 mm (高)
净重 (带两块BL1860B电池)	8.2 kg

- 由于我们的持续研发计划，这里的规格如有变更，恕不另行通知。
- 规格和电池可能因国家而异。
- 按EPTA-Procedure 01/2014，带电池的重量

适用电池和充电器

电池	BL1830B(3.0 Ah) / BL1840B(4.0 Ah) / BL1850B(5.0 Ah) / BL1860B(6.0 Ah)
充电器	DC18RC / DC18RD / DC18RE / DC18SD / DC18SE / DC18SF / DC18SH

- 取决于您所在的地区，上面列出的某些电池和充电器可能没有销售。

警告： 请仅使用以上所列的电池和充电器。使用任何其他电池和充电器可能会造成伤害和/或起火。

符号

以下显示用于该装置的符号。
使用之前，确保您理解它们的含义。



- 阅读使用说明书。



- 警告：表面烫！
不要接触此符号周围。
接触表面可能造成烫伤或受伤。

- 仅限于欧盟国家

由于本设备中包含有害成分，因此废弃的电气和电子设备、蓄电池和普通电池可能会对环境和人体健康产生负面影响。请勿将电气和电子工具或电池与家庭普通废弃物放在一起处置！

根据欧洲关于废弃电气电子设备、蓄电池和普通电池的指令及其国家层面的修订法案，废弃的电气设备、普通电池和蓄电池应当单独存放并递送至城市垃圾收集点，根据环保法规进行处置。

此规定由标有叉形标志的带轮垃圾桶符号表示。

4. 不得滥用软线。绝不能用软线搬运、拉动电动工具或拔出其插头。使软线远离热源、油、锐边或运动部件。受损或缠绕的软线会增加电击风险。
5. 当在户外使用电动工具时，使用适合户外使用的延长线。适合户外使用的电线将降低电击风险。
6. 如果无法避免在潮湿环境中操作电动工具，应使用带有剩余电流装置（RCD）保护的电源。RCD的使用可降低电击风险。
7. 电动工具会产生对用户无害的电磁场（EMF）。但是，起搏器和其他类似医疗设备的用户应在操作本电动工具前咨询其设备的制造商和/或医生寻求建议。

人身安全

1. 保持警觉，当操作电动工具时关注所从事的操作并保持清醒。当你感到疲倦，或在有药物、酒精或治疗反应时，不要操作电动工具。在操作电动工具时瞬间的疏忽会导致严重人身伤害。
2. 使用个人防护装置。始终佩戴防护目镜。防护装置，诸如适当条件下使用防尘面具、防滑安全鞋、安全帽、听力防护等装置能减少人身伤害。
3. 防止意外起动。在连接电源和/或电池包、拿起或搬运工具前确保开关处于断开位置。手指放在开关上搬运工具或开关处于接通时通电会导致危险。
4. 在电动工具接通之前，拿掉所有调节钥匙或扳手。遗留在电动工具旋转零件上的扳手或钥匙会导致人身伤害。
5. 手不要过分伸展。时刻注意立足点和身体平衡。这样能在意外情况下能更好地控制住电动工具。
6. 着装适当。不要穿宽松衣服或佩戴饰品。让你的头发和衣服远离运动部件。宽松衣服、佩饰或长发可能会卷入运动部件。
7. 如果提供了与排屑、集尘设备连接用的装置，要确保其连接完好且使用得当。使用集尘装置可降低尘屑引起的危险。
8. 不要因为频繁使用工具而产生的熟悉感而掉以轻心，忽视工具的安全准则。某个粗心的动作可能在瞬间导致严重的伤害。
9. 使用电动工具时请始终佩带护目镜以免伤害眼睛。护目镜须符合美国ANSI Z87.1、欧洲EN 166或者澳大利亚/新西兰的AS/NZS 1336的规定。在澳大利亚/

电动工具通用安全警告

▲警告：阅读随电动工具提供的所有安全警告、说明、图示和规定。不遵照以下所列说明会导致电击、着火和/或严重伤害。

保存所有警告和说明书以备查阅。

警告中的术语“电动工具”是指市电驱动（有线）电动工具或电池驱动（无线）电动工具。

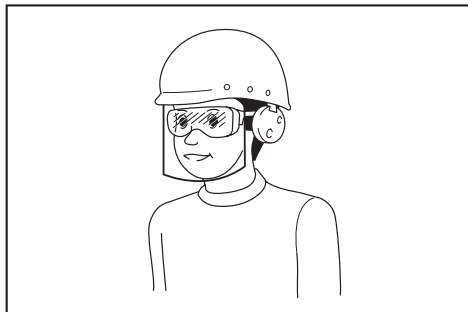
工作场地的安全

1. 保持工作场地清洁和明亮。杂乱和黑暗的场地会引发事故。
2. 不要在易爆环境，如有易燃液体、气体或粉尘的环境下操作电动工具。电动工具产生的火花会点燃粉尘或气体。
3. 操作电动工具时，远离儿童和旁观者。注意力不集中会使你失去对工具的控制。

电气安全

1. 电动工具插头必须与插座相配。绝不能以任何方式改装插头。需接地的电动工具不能使用任何转换插头。未经改装的插头和相配的插座将降低电击风险。
2. 避免人体接触接地表面，如管道、散热器和冰箱。如果你身体接触接地表面会增加电击风险。
3. 不得将电动工具暴露在雨中或潮湿环境中。水进入电动工具将增加电击风险。

新西兰，法律要求佩带面罩保护脸部。



雇主有责任监督工具操作者和其他近工作区域人员佩带合适的安全防护设备。

电动工具使用和注意事项

1. 不要勉强使用电动工具，根据用途使用合适的电动工具。选用合适的按照额定值设计的电动工具会使你工作更有效、更安全。
2. 如果开关不能接通或关断电源，则不能使用该电动工具。不能通过开关来控制电动工具是危险的且必须进行修理。
3. 在进行任何调节、更换附件或贮存电动工具之前，必须从电源上拔掉插头和/或卸下电池包（如可拆卸）。这种防护性的安全措施降低了电动工具意外起动的风险。
4. 将闲置不用的电动工具贮存在儿童所及范围之外，并且不允许不熟悉电动工具和不了解这些说明的人操作电动工具。电动工具在未经培训的使用者手中是危险的。
5. 维护电动工具及其附件。检查运动部件是否调整到位或卡住，检查零件破损情况和影响电动工具运行的其他状况。如有损坏，应在使用前修理好电动工具。许多事故是由维护不良的电动工具引发的。
6. 保持切削刀具锋利和清洁。维护良好地有锋利切削刃的刀具不易卡住而且容易控制。
7. 按照使用说明书，并考虑作业条件和要进行的作业来选择电动工具、附件和工具的刀头等。将电动工具用于那些与其用途不符的操作可能会导致危险情况。
8. 保持手柄和握持表面干燥、清洁，不得沾有油脂。在意外的情况下，湿滑的手柄不能保证握持的安全和对工具的控制。

9. 使用本工具时，请勿佩戴可能会缠结的布质工作手套。布质工作手套卷入移动部件可能会造成人身伤害。

电池式工具使用和注意事项

1. 仅使用生产者规定的充电器充电。将适用于某种电池包的充电器用到其他电池包时可能会发生着火危险。
2. 仅使用配有专用电池包的电动工具。使用其他电池包可能会产生伤害和着火危险。
3. 当电池包不用时，将它远离其他金属物体，例如回形针、硬币、钥匙、钉子、螺钉或其他小金属物体，以防电池包一端与另一端连接。电池组端部短路可能会引起燃烧或着火。
4. 在滥用条件下，液体可能会从电池组中溅出；应避免接触。如果意外碰到液体，用水冲洗。如果液体碰到了眼睛，还应寻求医疗帮助。从电池中溅出的液体可能会发生腐蚀或燃烧。
5. 不要使用损坏或改装过的电池包或工具。损坏或改装过的电池组可能呈现无法预测的结果，导致着火、爆炸或伤害。
6. 不要将电池包暴露于火或高温中。电池包暴露于火或高于130°C的高温中可能导致爆炸。
7. 遵循所有充电说明。不要在说明书中指定的温度范围之外给电池包或电动工具充电。不正确或在指定的温度范围外充电可能会损坏电池和增加着火的风险。

维修

1. 让专业维修人员使用相同的备件维修电动工具。这将保证所维修的电动工具的安全。
2. 决不能维修损坏的电池包。电池包仅能由生产者或其授权的维修服务商进行维修。
3. 上润滑油及更换附件时请遵循本说明书指示。

充电式真空泵安全警告

1. 此电动工具是用于排空冰箱和空调及回收器的机器。请勿将其用于其他用途。这样做可能导致故障。
2. 使用之前务必检查电动工具是否漏油。否则可能造成火灾。
3. 检查油位和状况（变质等）以便安全有效地工作。
4. 在极端冷热的环境中可能无法获得充分性能。

保管好这些指南。

▲警告：不要让舒适或熟悉产品（重复使用中获得）代替严格遵守该产品的安全规定。

误用或不遵守本使用说明书中的安全规定可能会导致严重人身伤害。

关于电池的重要安全说明

1. 在使用电池之前，请阅读（1）电池充电器、（2）电池和（3）使用电池的产品上的所有指南和注意标记。
2. 不要拆解电池。
3. 如果使用时间变得过短，请立即停止使用。这可能产生过热、燃烧甚至爆炸的危险。
4. 如果电解液进入眼睛，用清水冲洗掉，并立即就医。这可能导致失明。
5. 不要使电池短路：
 - （1）不要用任何导电材料接触端子。
 - （2）避免将电池与铁钉、硬币等其他金属物件放在一个容器中。
 - （3）不要让电池暴露在雨水中。电池短路会产生大电流、过热、可能导致燃烧甚至毁坏。
6. 请勿在温度会达到或超过50℃的地方存放及使用工具和电池。
7. 即使电池严重损坏或完全报废，也不要焚烧电池。电池在火中会爆炸。
8. 小心不要掉落或敲击电池。
9. 不要使用损坏的电池。
10. 遵循与电池废弃有关的本地规定。
11. 随附的锂离子电池受危险品法规要求的制约。
弃置电池时，请将其从工具中取出并弃置在安全的地方。请遵守您本地有关电池弃置的规定。

12. 请只将电池用于Makita指定的产品。
13. 如果长时间不使用工具，必须从工具中取出电池。
14. 在使用期间和之后，电池可能会发热，这可能导致灼伤或低温灼伤。
15. 刚使用后请勿接触工具的端子，因为可能变得很热足以造成灼伤。
16. 请勿让碎屑、灰尘或污垢粘在电池的端子、孔和槽中。否则可能会导致工具或电池的性能不良或损坏。
17. 除非工具支持在高压电线附近使用，请勿在高压电线附近使用电池。
18. 使电池远离儿童。

保管好这些指南。

▲注意：请只使用正宗Makita电池。使用非正宗Makita电池或改造过的电池可能导致电池爆炸，造成火灾、人身伤害和损坏。它还将使Makita工具和充电器的保修失效。

保持最长电池寿命的要诀

1. 在电池完全放电之前充电。当您注意到工具电力不足时，务必停止工具运转并给电池充电。
2. 切勿给完全充电的电池再充电。充电过度会缩短电池使用寿命。
3. 在10℃ - 40℃室温下给电池充电。在给发烫的电池充电之前，先让其冷却。
4. 不使用电池时，请将其从工具或充电器取出。
5. 如果您长期不使用电池（超过六个月），请给电池充电。

部件描述

► 图1:

- | | |
|-------------|---------------|
| 1. 进气口3/8" | 12. LED灯 |
| 2. 气镇阀 | 13. 电源开关 |
| 3. 加/排油盖 | 14. 电池护板 |
| 4. 进气口5/16" | 15. 电池架 |
| 5. 观察窗 | 16. 电池（在左端口上） |
| 6. 排油阀 | 17. 电池（在右端口上） |
| 7. 油箱 | 18. 手柄 |
| 8. 泵周围区域 | 19. 接线盖 |
| 9. 电磁阀 | |
| 10. 基座 | |
| 11. 马达 | |

功能描述

▲注意：在调节或检查泵功能时，确保关闭泵并且卸下电池。

安装或卸载电池

▲注意：在安装或卸下电池之前，务必关闭泵。

▲注意：当安装或卸下电池时，请抓紧泵和电池。不抓紧泵和电池可能导致其从手中脱落，造成泵和电池损坏和人身伤害。

► 图2：

1. 红色指示
2. 按钮
3. 电池

要卸下电池，请在滑动电池前面按钮的同时从泵滑动电池。

要安装电池，将电池上的舌与壳体中的沟对齐并将其滑入到位。请将其插入到底，直至听到轻微咔嚓声。如果您可以看到按钮上方的红色指示，则没有完全锁定。

▲注意：务必完全装入电池直到红色指示看不到。否则，它可能意外从泵脱落，造成您或您周围的人受伤。

▲注意：不要用力安装电池。如果不能轻易地滑入电池，则插入方式不正确。

电池保护系统

泵或电池配置了电池保护系统。此系统会自动切断到马达的电源以延长电池使用寿命。如果泵和/或电池置于是以下情形之一，则泵在操作中将自动停止。

过负荷：

泵或电池工作在导致抽取异常大电流的状态。

在此情形下，关闭泵并且停止造成泵过负荷的应用。然后开启泵以重启。

如果泵不能启动，则电池过热。

在此情况下，请先让电池冷却再重新开启泵。

电池电压低：

剩余电池容量太低，泵不能运转。在此情况下，请卸下电池并给其充电。

指示电池剩余电量

仅适用于带指示灯的电池

► 图3：

1. 指示灯
2. 检查按钮

按下电池上的检查按钮以显示电池剩余电量。指示灯点亮几秒钟。

指示灯			剩余电量
■ 点亮	□ 熄灭	▧ 闪烁	
■	■	■	75% 至 100%
■	■	□	50% 至 75%
■	□	□	25% 至 50%
■	□	□	0% 至 25%
▧	□	□	给电池充电。
■	■	□	电池可能有故障。
□	□	■	

注解：取决于使用情况和环境温度，指示可能与实际电量稍有不同。

注解：电池保护系统工作时，第一个（最左侧）指示灯将闪烁。

操作

新买时，泵不含油。

请参见“加油”并加油。

▲警告：在没有加油的情况下运转泵会损坏泵。此外，油箱也会变烫，可能导致烫伤或其他事故。

加油

► 图4：

1. 加/排油盖
2. 水平线
3. 观察窗
4. 油箱

1. 卸下加/排油盖并通过加油口加油。

注意：为保持泵的性能，请始终使用Makita正宗油。

- 加油直到油位处在观察窗的上下水平线之间。

注意：油位很重要。油位不在上下水平线之间的情况下运转泵可能导致故障。

检查性能

► 图5:

- 充气软管 (黄色)
 - 进气口
 - 真空泵
 - 歧管
 - 低侧阀
 - 关闭
- 用充气软管连接歧管的低侧阀与泵的进气口。
 - 关闭歧管的低侧阀。
 - 开启泵。如果在30秒内歧管的压力指示-0.09至-0.1 MPa的空压, 则泵运转正常。
 - 关闭泵。

操作

► 图6:

- 充气软管 (黄色)
- 进气口
- 气镇阀
- 真空泵
- LED灯
- 电池
- 充气软管 (蓝色)
- 服务口 (低侧阀)
- 室外机
- 服务口 (高压侧)
- 充气软管 (红色)
- 关闭
- 高侧阀
- 歧管
- 低侧阀
- 关闭

- 用软管连接泵、歧管和室外机。

注解：当室外机上服务口的尺寸是1/4"时, 请使用附带的不同直径适配器。

- 确认歧管的高侧和低侧阀已关闭。
- 将两块电池安装到泵上。(有关安装方法, 请参阅“安装或卸载电池”。)
- 打开气镇阀。
- 打开泵。LED灯(红色)点亮, 马达运转。
- 打开歧管的低侧阀和高侧阀。
- 5至10分钟后关闭气镇阀。

注解：气镇阀用于去除油中的水(蒸气)和可冷凝气体(排气时吸入泵中)。如果可冷凝气体液化并进入油中, 会导致润滑性能下降, 并缩短泵和密封件的使用寿命。当空气从气镇阀进入时, 冷凝后的气体保持原样, 并随空气排出。

建议在运行之前对泵进行预热, 因为泵温度越高, 就越能获得高的气镇效率。

- 当电池的剩余电量(左端口)变空时, 电源将自动切换为电池(右端口)。请取出电池L, 然后用备用电池更换。当电池R的剩余电量变空时, 电源再次切换为电池L。通过L-R-L-R反复使用充电后的备用电池, 可以使泵长时间工作。

▲警告：泵在运转过程中以及刚停止时会很热。在泵很热时请勿触摸其周围区域。否则可能会导致灼伤或其他事故。

注解：在寒冷时(5°C以下)马达可能不运转。在此情况下, 将泵带到室内让其变暖。

- 当达到指定的空压时(参见空调厂商提供的手册), 关闭歧管的低侧阀。
- 关闭泵。

气密性检测

如果在留置泵和歧管之后歧管的压力在5分钟以上不会上升, 则没有漏气。

注解：当电池剩余容量变低时, LED灯熄灭, 同时开始发出长警报哔音。大约2分钟之后, 马达停止。然后警报哔音变为重复的短间隔哔音, 它通知马达停止, 30秒钟之后哔音停止。但是, 不要等到马达停止(或警报哔音变为短哔音), 应即刻关闭工具的进气阀和歧管的低压侧阀。

确认泵已关闭, 卸下电池, 并给其充电或换上备用电池。

- 有关电池工作时间, 请参见下表。

工作时间 (指导)

电池	每块的工作时间
BL1860B	30 min
BL1850B	25 min
BL1840B	20 min
BL1830B	15 min

- 完成作业之后, 请卸下电池并安上附带的盖子。

注意：在运输、操作和存储工具时，切勿侧着或倒着放置它。否则可能从加/排油盖漏油。

维护

▲注意：在尝试进行检查或维护之前，确保护闭泵并且卸下电池。

注意：切勿使用汽油、挥发油、稀释剂、酒精或类似品。否则可能导致变色、变形或开裂。

为维持产品安全和可靠性，维修、任何其他维护或调整都应由Makita授权或工厂维修中心进行，始终使用Makita更换部件。

检查油

► 图7：

1. 水平线
 2. 观察窗
- 在使用泵之前，始终检查油量和状况（变质等）。

注解：请加油到油位在观察窗的上下水平线之间。油量为300 ml。

注解：油位很重要。如果它不在上下水平线之间，可能会导致故障。

更换油

► 图8：

1. 排油阀
1. 使泵工作1或2分钟以让机油变热。
 2. 关闭泵。
 3. 卸下排放阀并排放机油。
 4. 参见“加油”并添加新油。
- 请按照地方规定处置废油。

注解：在使用20小时之后建议换油，以保护泵组件免受吸入泵中污染物的危害。

当抽空旧制冷系统时，每次使用之后换油。

清洁泵

1. 当油很脏时，请换油然后运转泵3至5分钟。

2. 排掉油并添加新油。
如果排掉的油仍然脏，请重复此清洁过程二或三次。

选购附件

▲注意：建议将这些配件或附件用于本说明书中指定的Makita工具。使用任何其他配件或附件可能会构成人身伤害危险。仅将配件或附件用于其规定的用途。

如果您对这些附件需要更多信息帮助，请咨询您本地Makita维修中心。

- 肩带
- 真空泵油 300 ml
- 真空泵软管
- 带量具的真空泵筒
- Makita正宗电池和充电器

▲注意：使用肩带时：

- 如果挂孔损坏或变形，请勿使用肩带。
- 挂孔仅适用Makita肩带。请勿装任何其他附件。用于非预期用途可能会导致事故或人身伤害。
- 肩带用于将泵背在肩上。请勿将其用于其他目的，例如防摔措施。
- 请勿给肩带过多的负荷。否则可能会损坏肩带或安装部件，并造成人身伤害。
- 使用肩带时，请将其装到手柄上的挂孔。使用肩带携带泵时，请确保肩带牢固地装在挂孔上并抓住泵的手柄。

注解：清单中的某些东西可能作为标准配件包含在工具包中。它们可能因国家而异。

規格

型號：	DVP181
額定電壓	D.C. 18 V
幫浦	兩段式旋轉幫浦
自由排氣量	113 L/min
終極真空壓力	3 Pa
機油容量	300 ml
進氣	5/16"、3/8" 擴口外牙接頭
尺寸	383 mm (長) × 193 mm (寬) × 210 mm (高)
淨重 (含兩顆 BL1860B 電池)	8.2公斤

- 由於我們的持續研發計畫，此處的規格可能變更而不事先通知。
- 規格與電池盒可能會因國家而異。
- 根據01/2014 EPTA程序計算含電池盒的重量

適用的電池盒與充電器

電池盒	BL1830B (3.0 Ah) / BL1840B (4.0 Ah) / BL1850B (5.0 Ah) / BL1860B (6.0 Ah)
充電器	DC18RC / DC18RD / DC18RE / DC18SD / DC18SE / DC18SF / DC18SH

- 上列某些電池盒與充電器可能無法取得，要視您的居住地區而定。

警告： 只能使用上列電池盒和充電器。使用任何其他的電池盒和充電器可能造成傷害和/或火災。

符號

底下顯示的是用於設備的符號。
使用前務必要瞭解其意義。



- 閱讀使用說明書。



- 警告：灼熱表面！
請勿觸摸此符號周邊。
觸摸可能會造成燙傷或傷害。



- 僅用於歐盟國家
由於本設備中存有危險組件，廢棄電氣與電子設備、蓄電池與電池可能會對環境與人體健康產生負面影響。
請勿將電氣與電子器具或電池和家庭廢棄物一同處理！
根據針對廢棄電氣與電子設備、蓄電池與電池及廢棄蓄電池與電池制訂的歐洲指令及其對本國法律的修改版，應依照環境保護法規個別存放廢棄電氣設備、電池與蓄電池，並將其送至都市垃圾獨立回收點。
這類設備會在設備上以打叉的滑輪垃圾桶作為符號標示。

一般電動工具安全警告

警告： 請通讀本電動工具附帶的所有安全警告、安全事項、插圖和規格。未按照以下列舉安全事項而使用或操作可能導致觸電、火災和/或嚴重傷害。

妥善保存所有的警告和安全事項說明以備將來參考。

在該警告中的「電動工具」是指電網電源供電（接電源線）的電動工具或電池驅動（充電式）的電動工具。

工作場地安全

1. 保持工作場地清潔和明亮。混亂和黑暗的場所會引發事故。
2. 請勿在易爆環境，如有易燃液體、氣體或粉塵的環境下操作電動工具。電動工具產生的火花會點燃粉塵或氣體。
3. 操縱電動工具時不可讓兒童和旁觀者接近。操作時分心會使你無法正常控制機器。

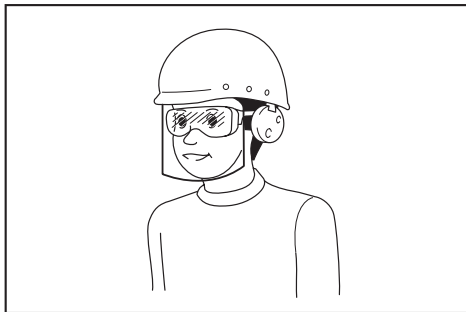
電氣安全

1. 電動工具插頭必須與插座匹配。絕不能以任何方式改裝插頭。需接地的電動工具不能使用任何轉換插頭。使用未經改裝的插頭和與之匹配的插座將減少觸電危險。
2. 工作時，身體不可接觸到接地的金屬體，例如鐵管、散熱器、火爐和冷凍機。如果身體接地會增加觸電危險。
3. 不得將電動工具暴露在雨中或潮濕環境中。若有水進入電動工具將增加觸電危險。

- 不得腳踏導線。不可拖著導線移行工具或拉導線拔出插頭。還須避免使導線觸及高熱物體、油脂、尖銳邊緣或運動部件。受損或纏繞的導線會增加觸電危險。
- 當在戶外使用電動工具時，一定要採用戶外專用的延長導線。採用戶外專用的延長導線能減少觸電的危險。
- 如必須在潮濕的環境中使用電動工具，請使用殘餘電流裝置（RCD）保護電源。使用RCD保護電源能減少觸電的危險。
- 電動工具會產生對使用者無害的電磁場（EMF）。不過，對心律調整器使用者及其他類似醫療器材的使用者而言，請務必先聯絡器材製造商及／或醫師以瞭解相關建議，再操作此類電動工具。

人身安全

- 保持警覺，當操作電動工具時關注所從事的操作並保持清醒。請勿在疲勞時或受到藥物、酒精或治療影響時操作電動工具。在操作電動工具期間分心可能會導致嚴重人身傷害。
- 使用安全裝置。始終佩戴護目鏡。安全裝置，如適當條件下的防塵面具、防滑安全鞋、安全帽、防護耳罩等設備能減少人身傷害。
- 避免意外起動。在將工具接上電源和／或電池組以及拿起或搬動電動工具之前，確保開關處於關閉位置。搬運工具時手指放在已接通電源的開關上或開關處於接通時插入插頭可能會引發事故。
- 在電動工具接通之前，取下所有調節鑰匙或扳手。遺留在電動工具旋轉零件上的扳手或鑰匙會導致人身傷害。
- 操作時手不要伸得太長。使用時請雙腳站穩，時刻保持平衡。這樣在意外情況下能很好地控制電動工具。
- 注意衣裝。不要穿寬鬆衣服或佩帶飾品。勿使頭髮和衣服靠近運動部件。寬鬆衣服、佩飾或長發易卷入運動部件。
- 如果提供了與排屑裝置、集塵設備連接的裝置，則確保他們連接完好且使用得當。使用集塵設備可減少因碎屑引起的危險。
- 切勿因頻繁使用本工具而自認熟練導致您大意忽略工具的安全原則。一時的疏忽隨即會造成人員重傷。
- 使用電動工具時，請務必配戴護目鏡，以防眼睛受到傷害。護目鏡需符合美國 ANSI Z87.1 標準、歐洲 EN 166 標準或澳洲／紐西蘭 AS/NZS 1336 標準。若於澳洲／紐西蘭地區，法定需配戴面罩以保護臉部。



雇主有責任監督工具操作者和其他鄰近工作區域的人員穿戴合適的安全保護裝備。

電動工具使用和注意事項

- 使用電動工具時請勿用蠻力。根據用途使用適當的電動工具。選擇具有適當設計額定值的電動工具會使操作更有效、更安全。
- 如果開關無法接通或關閉工具電源，則不可使用該電動工具。不能用開關來控制的電動工具是危險的且必須進行修理。
- 在進行任何調整、更換配件或存放電動工具之前，請將插頭從電源上拔下，並且／或將可拆式電池組從工具上取下。此類防護性安全措施可減少電動工具突然起動的危險。
- 將閒置的電動工具存放在小孩不能拿到之處，並且不要讓不熟悉電動工具或對這些說明不了解的人操作電動工具。電動工具在未經訓練的用戶手中是危險的。
- 保養電動工具及配件。檢查運動部件的安裝誤差或卡滯情形、零件損壞和影響電動工具運轉的其他情況。如有損壞，電動工具必須在使用之前修理好。許多事故由保養不良的電動工具引發。
- 保持切削刀具的鋒利和清潔。保養良好的有鋒利切削刃的刀具不易被卡住而且容易控制。
- 按照使用說明書，根據作業條件和作業特點來使用電動工具、附件和工具的刀頭等。將電動工具用於那些與要求不符的操作可能會導致危險情況。
- 手柄及握把表面務必保持乾燥清潔，不沾油脂。如手柄及握把表面油滑，將無法在非預期的情況下安全操控工具。
- 使用此工具時，請勿穿戴可能會捲入的布質工作手套。布質工作手套捲入移動零件中，會導致嚴重的人身傷害。

用電池驅動的電動工具的使用和注意事項

- 僅使用製造商指定的充電器進行充電。使用適用於某一類型電池組的充電器給其他電池組充電可能會引起火災。
- 僅使用專門設計的電池組給電動工具供電。使用任何其他電池組可能會造成人身傷害及火災。
- 不使用電池組時請將其遠離紙夾、硬幣、鑰匙、釘子、螺絲或其他小型金屬物體放置。這些物體可能會使電池端子短路。短接電池端子可能會引起燃燒或起火。
- 使用過度時，電池中可能溢出液體；請避免接觸。如果意外接觸到電池漏液，請用水沖洗。如果液體接觸到眼睛，請就醫。電池漏液可能會導致過敏發癢或灼傷。
- 請勿使用損壞或經修改過的電池組或工具。損壞或經修改過的電池可能會出現無法預料的運作情形，而引發火災、爆炸或人員受傷風險。
- 請勿將電池組或工具暴露於火源或高溫環境。暴露於火源或 130 °C 以上的高溫可能會發生爆炸。
- 請遵守所有充電說明，並勿於說明中指定之溫度範圍外進行電池組或工具充電。以錯誤的方式或於指定之溫度範圍外進行充電，可能會損壞電池，並增加火災風險。

維修

- 將你的電動工具送交專業維修人員修理，必須使用相同的備件進行更換。這樣將確保所維修的電動工具的安全性。
- 請勿維修損壞的電池組。僅可由製造商或授權的維修商維修電池組。
- 上潤滑油及更換附件時請遵循本說明書指示。

充電式真空幫浦安全警告

1. 本電動工具是用來排空冷藏與空調設備並恢復管道的機器。請勿將其用於其他用途。這樣做可能會造成意外。
2. 使用前務必檢查電動工具是否有漏油。否則可能會造成火災。
3. 請檢查機油液面與狀態（劣化等等）以確保安全與有效的工作。
4. 在極端炎熱或寒冷的環境中，可能無法達到適當的效能。

請保存這些使用說明。

警告：切勿讓對產品的鬆懈或熟悉（因為重複使用而獲得）取代對該產品安全規則的嚴格遵守。

誤用或不遵守本使用說明書中陳述的安全規則可能會造成嚴重的個人傷害。

電池盒的重要安全說明

1. 使用電池盒之前，請閱讀關於（1）電池充電器（2）電池以及（3）使用電池的產品的所有說明與警告標示。
2. 請勿拆解電池盒。
3. 如果使用時間變短非常多，請立即停止使用。可能會有導致過熱、燙傷甚至爆炸的風險。
4. 如果電解液跑進眼睛裡，請用清水將其沖洗出來，並立即就醫。這種情況可能會造成失明。
5. 請勿讓電池盒短路：
 - （1）請勿以任何導電材料接觸端子。
 - （2）避免將電池盒存放在有其他金屬物體如釘子、硬幣等的容器中。
 - （3）請勿讓電池盒暴露於水中或雨中。電池短路可能會造成大電流、過熱、燙傷甚至故障。
6. 請勿在溫度可能達到或超過 50 °C 的地方存放及使用工具與電池盒。
7. 即使電池盒已經嚴重損壞或者完全損耗了，也不要加以焚燒。電池盒可能會在火中爆炸。
8. 小心不要掉落或撞擊電池。
9. 請勿使用受損的電池。
10. 請遵守您當地關於廢棄電池的規定。

11. 內含的鋰離子電池要受危險物品法規要求的限制。要廢棄電池時，請將其從工具中取出並棄置於一個安全的場所。請遵守您當地關於廢棄電池的規定。
12. 電池只能用於Makita指定的產品。
13. 如果很長一段時間不使用工具，必須將電池從工具中取出來。
14. 使用期間及使用之後，電池盒可能會發熱，而這可能會造成燙傷或低溫灼傷。
15. 請勿在使用後立即觸摸工具端子，因為它可能熱得足以造成燙傷。
16. 請勿讓碎片、灰塵或泥土附著於電池盒的端子、孔洞與溝槽中。這些東西可能會讓工具或電池盒效能不良或故障。
17. 除非工具支援在高壓電線附近使用，否則請勿在高壓電線附近使用電池盒。
18. 電池要遠離兒童。

請保存這些使用說明。

注意：只能使用Makita的原廠電池。使用非Makita原廠電池或者經過修改的電池，可能會導致電池爆裂，造成起火、人員受傷以及損壞。也會使得Makita對於Makita工具與充電器的保固失效。

讓電池維持最長壽命的秘訣

1. 在完全放完電之前就為電池盒充電。注意到工具比較沒力時，一定要停止使用工具並為電池盒充電。
2. 切勿為已經充滿電的電池盒充電。過度充電會縮短電池的使用壽命。
3. 請在室溫為 10 °C - 40 °C 時為電池盒充電。溫熱的電池盒要冷卻之後才可以充電。
4. 電池盒不使用時，要從工具或充電器中取出來。
5. 如果很長時間不使用電池盒（超過六個月），要為電池盒充電。

零部件說明

► 圖1:

- | | |
|--------------|---------------|
| 1. 進氣口 3/8" | 11. 馬達 |
| 2. 氣鎖閥 | 12. LED燈 |
| 3. 加油/排氣蓋 | 13. 電源開關 |
| 4. 進氣口 5/16" | 14. 電池護蓋 |
| 5. 觀看玻璃 | 15. 電池固定器 |
| 6. 排油閥 | 16. 電池（左側電池埠） |
| 7. 油箱 | 17. 電池（右側電池埠） |
| 8. 幫浦周邊區域 | 18. 把手 |
| 9. 電磁閥 | 19. 線路保護蓋 |
| 10. 底座 | |

功能說明

注意：調整或檢查幫浦上的功能之前，務必確認幫浦的電源已經關閉並且已經卸除電池盒。

安裝或卸除電池

▲注意：安裝或卸除電池盒之前，一定要關閉幫浦的電源。

▲注意：安裝或卸除電池盒時，要牢靠地握住幫浦與電池盒。如果沒有牢靠地握住幫浦與電池盒，可能會讓它們從您手中滑脫，而造成對幫浦與電池盒的損壞以及對個人的傷害。

► 圖2：

1. 紅色指示器
2. 按鈕
3. 電池盒

若要卸除電池盒，推動電池盒前方按鈕同時將其從幫浦上推出來。

若要安裝電池盒，請將電池盒上的舌片與電池槽中的溝槽對齊，然後將其推入定位。插入時務必插到底，直到發出一聲微小的喀噠聲鎖入定位為止。如果可以看到按鈕上方的紅色指示器，就表示沒有完全鎖定。

▲注意：務必要將電池盒完全裝入到看不到紅色指示器為止。否則電池盒可能會從幫浦中意外掉出來，而對您或您旁邊的人造成傷害。

▲注意：請勿勉強安裝電池盒。如果電池盒不能輕鬆地推入，就表示插入方式不正確。

電池保護系統

幫浦或電池配備有電池保護系統。本系統會自動切斷馬達的電源以延長電池使用時間。

如果幫浦和/或電池處於下列一種情況中，幫浦會在操作期間自動停止：

過載：

幫浦或電池操作的方式令其抽取異常高的電流。在這種情況下，請關閉幫浦，並停止令幫浦過載的使用方式。然後打開幫浦以重新起動。如果幫浦沒有起動，表示電池過熱。在這種情況下，請讓電池冷卻之後再打開幫浦。

電池電壓很低：

剩餘的電池電量很低，幫浦無法操作。在這種情況下，請取出電池並為其充電。

顯示剩餘的電池電量

僅適用於有指示燈的電池盒

► 圖3：

1. 指示燈
2. 檢查按鈕

按下電池盒上的檢查按鈕以顯示剩餘的電池電量。指示燈會點亮幾秒鐘。

指示燈			剩餘電量
點亮	熄滅	閃爍	
■	□	◐	75% 至 100%
■	■	□	50% 至 75%
■	■	□	25% 至 50%
■	□	□	0% 至 25%

指示燈			剩餘電量
點亮	熄滅	閃爍	
◐	□	□	為電池充電。
■	■	□	電池可能是故障了。

附註：顯示可能會與實際殘量略有不同，要視使用情況與環境溫度而定。

附註：電池保護系統工作時，第一個（最左邊）指示燈會閃爍。

操作

幫浦新買來時沒有油。
請參考「加油」並加油。

▲警告：在沒有添加機油的情況下操作幫浦會損壞幫浦。此外，油箱會變熱因而可能會造成燙傷或其他意外。

加油

► 圖4：

1. 加油/排氣蓋
2. 液面線
3. 觀看玻璃
4. 油箱

1. 取下加油/排氣蓋，將隨附的油透過加油口加進去。

注意：務必要使用Makita原廠機油以維持幫浦效能。

2. 將油加入到液面介於觀看玻璃的上下液面線之間。

注意：機油液面很重要。在機油液面線不是介於上下液面線之間時操作幫浦可能會造成故障。

檢查效能

► 圖5：

1. 充氣軟管（黃色）
2. 進氣口
3. 真空幫浦
4. 歧管壓力表
5. 低壓端閥門
6. 關閉

1. 用充氣軟管連接歧管壓力表的低壓端閥門與幫浦的進氣口。
2. 關閉歧管壓力表的低壓端閥門。
3. 打開幫浦。如果歧管壓力表的壓力在30秒鐘內顯示的真空為 -0.09 至 -0.1 MPa，表示幫浦運作正常。
4. 關閉幫浦。

操作

► 圖6:

1. 充氣軟管 (黃色)
2. 進氣口
3. 氣鎖閥
4. 真空幫浦
5. LED燈
6. 電池
7. 充氣軟管 (藍色)
8. 維修口 (低壓端)
9. 室外機
10. 維修口 (高壓端)
11. 充氣軟管 (紅色)
12. 關閉
13. 高壓端閥門
14. 歧管壓力表
15. 低壓端閥門
16. 關閉

1. 用軟管連接幫浦、歧管壓力表與室外機。

附註: 機組上的維修口尺寸是 1/4"時, 請使用隨附的不同直徑轉接器。

2. 確認歧管壓力表的高壓端與低壓端閥門都已經關閉。
3. 將兩顆電池裝入幫浦。(安裝方法請參考「安裝或卸除電池」。)
4. 打開氣鎖閥。
5. 打開幫浦。LED 燈 (紅色) 點亮, 馬達開始運轉。
6. 打開歧管壓力表的低壓端與高壓端閥門。
7. 5 至10分鐘後關閉氣鎖閥。

附註: 氣鎖閥用來從油中移除水分 (蒸汽) 和可凝結的氣體 (排氣時進入幫浦內)。如果可凝結的氣體液化並進入機油內, 會造成潤滑度降低, 並縮短幫浦和密封墊的使用壽命。當空氣從氣鎖閥進入時, 凝結的氣體會保持原狀並與空氣一起排出。

建議在操作前為幫浦暖機, 因為幫浦溫度越高, 所能得到的氣鎖效率就越高。

8. 左側電池埠的電池剩餘電量用完時, 電源會自動切換至右側電池埠的電池。請將左側電池取出來, 並換成備用電池。當右側電池的剩餘電量用完時, 電源會再切換至左側的電池。利用反覆使用左-右-左-右充滿電的備用電池, 幫浦可以操作很長時間。

▲警告: 幫浦在操作時和剛停止時會變得很燙。請勿在幫浦很燙時觸摸其周邊區域。這樣做可能會造成燙傷或其他意外。

附註: 馬達在很冷時 (5° C 或更低) 可能無法操作。遇到這種情況時, 請將幫浦帶入室內讓其變暖。

9. 達到指定的真空狀態 (請參考空調機的手冊) 時, 關閉歧管壓力表的低壓端閥門。
10. 關閉幫浦。

氣密測試

如果在離開幫浦與歧管壓力表5分鐘或更長時間之後, 歧管壓力表的氣壓沒有上升, 就表示沒有漏氣。

附註: 當電池殘餘電量變低時, LED指示燈會熄滅, 同時開始發出一長聲警告。大約兩分鐘之後, 馬達會停止。然後警告聲會變成短促的嗶嗶聲, 這表示馬達要停止了, 嗶嗶聲會在30秒鐘之後停止。不過, 請不要等到馬達停止 (或者警告聲變成短促的嗶嗶聲) 時, 而是要關閉工具的進氣閥與歧管壓力表的低壓端閥門。

請確認幫浦已經關閉, 取出電池來充電並更換為備用電池。

- 關於電池的使用時間, 請參考下表。

使用時間 (原則上)

電池	每顆電池的使用時間
BL1860B	30分鐘
BL1850B	25分鐘
BL1840B	20分鐘
BL1830B	15分鐘

- 完成工作之後, 取出電池並裝上隨附的蓋子。

注意: 運送、操作或存放工具時, 切勿將其側放或者上下顛倒。這樣可能會使得機油從加油口/通風蓋洩漏出來。

保養

▲注意: 進行檢查或保養之前, 務必要確認幫浦已經關閉電源而且電池盒已經取出來。

注意: 切勿使用汽油、揮發油、稀釋劑或者酒精之類的東西。可能會造成褪色、變形或龜裂。

為了保持產品的安全與可靠, 修理、任何其他維護或調整工作都應該由經過Makita授權的或原廠的服務中心進行, 而且一定要使用Makita的更換零件。

檢查機油

► 圖7:

1. 液面線
2. 觀看玻璃

- 使用幫浦之前, 務必要檢查機油的液面與狀態 (劣化等等)。

附註: 將油加入到液面介於觀看玻璃的上下液面線之間。機油的量是300 ml。

附註: 機油液面很重要。如果不是介於上下液面線之間, 可能會造成故障。

更換機油

► 圖8:

1. 排油閥

1. 操作幫浦1或2分鐘, 將機油加熱。
 2. 關閉幫浦。
 3. 取下排油閥並排乾機油。
 4. 請參考「加油」並加入新油。
- 請按當地法規處理舊油。

附註: 建議在使用20小時之後更換機油以保護幫浦零組件, 防止其受到被抽入幫浦的污染物損害。

幫老舊的冷藏系統抽真空時, 每次使用後都要更換機油。

清潔幫浦

1. 機油非常骯髒時, 請將油換掉, 然後操作幫浦3至5分鐘。
2. 排光機油並加入新油。
如果排出來的機油還是很髒, 重複這個清潔程序兩或三次。

選購配件

▲注意：這些配件或附件建議用於本說明書中指定的Makita工具。使用任何其他附件或配件可能會對人員造成傷害。這些配件或附件只能按其表明的用途使用。

如果您需要關於這些配件詳情的任何協助，請向您當地的Makita服務中心查詢。

- 肩帶
- 真空幫浦機油300 ml
- 真空幫浦軟管
- 有氣壓計的真空幫浦閥門
- Makita 原廠的電池與充電器

▲注意：使用肩帶時：

- 如果掛勾受損或變形，請勿使用肩帶。
- 掛勾僅限於與Makita肩帶配合使用。請勿安裝任何其他附件。用於非設定用途可能會造成意外或人員傷害。
- 肩帶設定用於將幫浦背在肩上攜帶。請勿將其用於防止掉落之類的其他用途上。
- 請勿讓肩帶承受過度的負荷。這樣做可能會令肩帶或安裝零部件破裂並造成人員傷害。
- 使用肩帶時，要將其安裝在把手的掛勾上。確認肩帶有牢靠地安裝在掛勾上，用肩帶攜帶幫浦時，要握住幫浦的把手。

附註：清單中的某些項目可能會作為標準配件包含在工具包裝中。它們可能會因國家而異。

台灣RoHS限用物質含有量標示
請掃描右方QR Code或參考下列網址：
<https://makita.com.tw/rohs/>



生產製造商名稱：Makita Corporation
進口商名稱：台灣牧田股份有限公司

電話：02-8601-9898 傳真機：02-8601-2266
地址：新北市 24459 林口區文化三路二段 798 號

사양

모델 :	DVP181
정격 전압	D.C. 18V
펌프	2단 회전 펌프
대기 변위	113L/min
최종 진공	3Pa
오일량	300ml
유입	5/16", 3/8" 플레어 수
치수	383mm(L) × 193mm(W) × 210mm(H)
순중량(BL1860B 배터리 2개 포함)	8.2kg

- 지속적인 연구, 개발로 인해 여기에 기재된 사양은 예고 없이 변경될 수 있습니다.
- 사양과 배터리 카트리지는 국가별로 다를 수 있습니다.
- EPTA-절차 01/2014에 따른 배터리 카트리지가 포함 무게입니다.

해당 배터리 카트리지가 및 충전기

배터리 카트리지가	BL1830B(3.0Ah) / BL1840B(4.0Ah) / BL1850B(5.0Ah) / BL1860B(6.0Ah)
충전기	DC18RC / DC18RD / DC18RE / DC18SD / DC18SE / DC18SF / DC18SH

- 위에 나열된 배터리 카트리지가와 충전기 중 일부는 거주 지역에 따라 구하지 못할 수도 있습니다.

⚠경고: 위에 나열된 배터리 카트리지가와 충전기만을 사용합니다. 다른 배터리 카트리지가와 충전기 사용 시에는 부상 및/또는 화재가 발생할 수 있습니다.

기호

다음은 본 공구에 사용된 기호를 나타냅니다. 사용하시기 전에 그 의미를 숙지하여 주십시오.



- 사용 설명서 참조.



- 경고: 표면 뜨거움!
이 기호 주위에 손대지 마십시오. 표면에 달오른 화상이나 부상을 입을 수 있습니다.



- EU 국가만 해당
장비에는 위험한 부품이 존재하기 때문에 전기 및 전자 장비, 축전기, 배터리 폐기물은 환경과 인체 건강에 부정적인 영향을 미칠 수 있습니다. 전기 및 전자 가전제품 또는 배터리는 가정용 쓰레기와 함께 폐기하지 마십시오!

전기 및 전자 장비 폐기물, 축전기 및 배터리와 축전기 및 배터리 폐기물에 대한 유럽 지침과 이에 따른 국내법에 따라, 전기 장비, 배터리, 축전기 폐기물은 따로 수거하여 환경 보호 규정에 따라 운영되는 별도의 자치제 폐기물 수거 장소로 전달해야 합니다. 장비에 있는 X자 표시된 바퀴 달린 쓰레기통 기호가 이를 나타냅니다.

일반 안전 경고

⚠경고: 이 전동공구와 함께 제공된 경고, 사용설명서, 일러스트와 사양을 숙지하여 주십시오. 사용방법을 따르지 않으면 감전, 화재 및/또는 상해의 원인이 됩니다.

본 경고와 사용설명서를 잘 보관하여 주십시오.

아래의 모든 경고에서 '전동공구' 라고 하는 것은 전원선으로 작동하는 전동공구와 배터리로 작동하는 충전식 전동공구를 의미합니다.

작업장의 안전

1. 작업장을 충분히 밝고 깨끗하게 유지하여 주십시오. 어질러지고 어두운 작업장은 사고의 원인이 됩니다.
2. 인화성 액체, 가스 또는 분진과 같이 폭발성 물질이 있는 환경에서 전동공구를 사용하지 마십시오. 전동공구에서 튀는 불꽃으로 분진이나 가스가 점화될 수 있습니다.
3. 전동공구가 작동되고 있을 때는 작업자 이외의 사람이나 어린이들의 접근을 막아 주십시오. 주위가 산만하면 제어력을 상실할 수 있습니다.

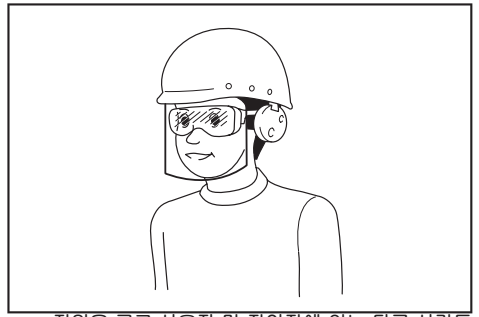
전기 안전

1. 전동공구의 플러그는 콘센트에 맞아야 합니다. 플러그를 절대로 개조하지 마십시오. 접지된 전동공구에 다른 플러그를 연결하여 사용하지 마십시오. 개조하지 않은 플러그와 규격의 콘센트는 감전의 위험을 줄여 줍니다.

2. 파이프, 난방기, 레이저, 냉장고와 같이 접지된 표면에 신체 접촉을 피하여 주십시오. 작업자의 몸이 닿을 경우 감전의 위험이 증가합니다.
3. 전동공구를 비나 습기에 노출시키지 마십시오. 물이 전동공구에 들어갈 경우 감전의 위험이 증가합니다.
4. 코드를 항부로 다루지 마십시오. 코드를 당겨 전동공구를 이동하거나 플러그를 뽑지 마십시오. 열, 오일, 날카로운 모서리, 회전부로부터 코드를 멀리하여 주십시오. 코드가 손상되거나 영키면 감전의 위험이 증가합니다.
5. 전동공구를 실외에서 사용할 경우에는 실외용 연결 코드를 사용하여 주십시오. 실외용 연결선은 감전의 위험을 줄여 줍니다.
6. 습도가 높은 곳에서 작업할 경우 누전차단기 (RCD)를 사용하여 주십시오. RCD의 사용은 감전의 위험을 줄여 줍니다.
7. 전동 공구는 사용자에게 해롭지 않은 전자기장 (EMF)을 생성할 수 있습니다. 하지만 심박 조율기 및 기타 비슷한 의료 장치의 사용자는 본 전동 공구를 사용하기 전에 해당 장치의 제조사 및/또는 의사에게 조언을 구해야 합니다.

작업자 안전

1. 전동공구를 사용할 때는 방심하지 말고 어떤 작업을 하고 있는지 항상 주목하며 상식적으로 생각하며 작업하여 주십시오. 피곤하거나, 약을 복용했거나, 술을 마신 다음에는 전동공구를 사용하지 마십시오. 전동공구를 사용하는 동안 잠깐이라도 방심하면 심각한 상태 사고가 일어날 수 있습니다.
2. 안전 장비를 사용하여 주십시오. 항상 보안경을 착용하여 주십시오. 작업 환경에 적절하게 방진 마스크, 미끄럼방지 작업화, 작업모자, 귀마개와 같은 안전장비를 사용하면 상해를 줄일 수 있습니다.
3. 실수로 공구가 기동되지 않도록 하십시오. 공구를 이동하거나 들어올리거나 배터리를 전원을 연결하기 전에 스위치가 꺼져 있는지를 먼저 확인하여 주십시오. 전동공구의 스위치에 손가락을 넣은 상태에서 이동하거나 스위치가 켜진 상태에서 플러그를 연결하면 사고가 날 수 있습니다.
4. 전동공구를 작동시키기 전에 먼저 조절키 또는 렌치를 제거하여 주십시오. 전동공구의 회전부에 렌치나 키가 꽂혀 있으면 상해의 원인이 됩니다.
5. 무리한 자세로 작업하지 마십시오. 항상 양발을 고정시켜 균형을 유지하여 주십시오. 예기치 않은 상황이 발생해도 전동공구를 잘 제어할 수 있습니다.
6. 적절한 복장으로 작업하여 주십시오. 헐렁한 옷이나 장신구를 착용하지 마십시오. 회전부에 머리카락, 의류가 끼지 않도록 주의하여 주십시오. 헐렁한 의류나, 장신구, 긴 머리카락은 회전부에 빨려 들어갈 수 있습니다.
7. 방진 및 집진 장비에 연결할 경우에는 제대로 연결하여 바르게 사용하여 주십시오. 집진 장비를 사용하면 먼지로 발생하는 위험을 줄일 수 있습니다.
8. 잦은 공구 사용으로 익숙해졌다고 방심하거나 공구 안전 수칙을 무시하지 마십시오. 부주의한 행동은 순식간에 심각한 대인 상해를 야기할 수 있습니다.
9. 전기 공구 사용 시에 발생할 수 있는 부상을 방지하기 위해 항상 보호용 고글을 착용하십시오. 고글은 미국의 ANSI Z87.1, 유럽의 EN 166 또는 호주/뉴질랜드의 AS/NZS 1336를 준수한 것이어야 합니다. 호주/뉴질랜드에서는 얼굴 보호를 위해서 보호면 (페이스 쉴드) 착용 또한 법적으로 규정되어 있습니다.



직원은 공구 사용자 및 작업장에 있는 다른 사람들이 적절한 안전 보호 장비를 사용하도록 해야 할 책임이 있습니다.

전동공구의 사용 및 관리

1. 전동공구를 무리하게 사용하지 마십시오. 용도에 맞는 전동공구를 사용하여 주십시오. 용도와 용량에 맞게 전동공구를 사용해야 능률적이고 안전하게 작업할 수 있습니다.
2. 스위치가 켜지거나 꺼지지 않으면 전동공구의 사용을 중단하여 주십시오. 스위치가 제대로 작동하지 않는 전동공구는 위험하므로 반드시 수리하여 주십시오.
3. 전동공구를 조정하거나, 부속품을 교환하거나, 보관하기 전에는 플러그를 뽑거나 분리가 가능한 전동공구에서 배터리 팩을 제거해 주십시오. 이러한 안전조치는 전동공구가 예기치 않게 작동하는 위험을 줄여 줍니다.
4. 사용하지 않는 전동공구는 아이들의 손이 닿지 않는 곳에 보관하여 주시고, 전동공구나 본 설명서 내용에 익숙하지 않은 사람이 전동공구를 사용하지 않도록 하여 주십시오. 훈련받지 않은 작업자가 전동공구를 사용하는 것은 매우 위험합니다.
5. 동력 공구와 부속품을 유지 보수합니다. 회전부의 연결과 조정은 맨첨은지, 손상된 부분은 없는지 등 전동공구 작동에 영향을 줄 수 있는 모든 상태를 점검하여 주십시오. 공구가 손상되었으면 사용 전에 반드시 수리를 받아 주십시오. 많은 사고가 전동공구의 유지보수를 제대로 하지 않아서 발생합니다.
6. 절삭용 공구는 날카롭고 깨끗하게 유지하여 주십시오. 제대로 유지보수된 전동공구에 날카로운 절삭날을 사용하면 작업 중에 날이 걸려 움직이지 않는 경우가 적으며 제어하기 쉬워집니다.
7. 전동공구, 부속품, 공구 비트는 작업 조건과 작업 내용을 고려하여 선택하고, 이 설명서에 따라 사용하여 주십시오. 전동공구를 지정된 용도와 달리 사용하면 위험한 상황이 초래될 수 있습니다.
8. 손잡이와 그림 표면은 항상 건조한 상태를 유지하고, 기름과 윤활유가 묻지 않도록 주의하여 주십시오. 미끄러운 손잡이와 그림 표면으로는 예기치 않은 상황에서 안전한 조작이나 제어를 할 수 없게 됩니다.
9. 공구를 사용할 때는 워킹 수 있는 천 소재 작업 장갑을 착용하지 마십시오. 천 소재 작업 장갑이 가동 부분에서 워킹하면 부상을 입을 수 있습니다.

배터리 공구의 사용 및 관리

1. 제조자가 지정한 충전기만 충전하여 주십시오. 다른 가지 형태의 배터리 팩에 적합한 충전기는 다른 배터리 팩과 함께 사용하면 위험을 야기할 수 있습니다.

배터리 카트리지에 대한 중요한 안전 규칙

2. 지정된 배터리 팩으로만 전동공구를 사용하여 주십시오. 다른 배터리 팩을 사용하면 대인 상해 및 화재의 위험이 야기될 수 있습니다.
3. 배터리 팩을 사용하지 않을 때는 양 전극이 통하도록 하는 종이 클립, 동전, 열쇠, 못, 나사 및 기타 소형 금속 물질을 주변에 두지 마십시오. 배터리 전극을 단락시켜 화재가 일어날 수 있습니다.
4. 험한 환경에서 사용할 경우 배터리에서 배터리 액이 누출될 수 있으므로 몸에 닿지 않도록 주의하십시오. 실수로 접촉한 경우에는 물로 씻어 주십시오. 액체가 눈에 들어간 경우에는 의사를 찾아가십시오. 배터리에서 흘러나온 액체는 염증이나 화상을 일으킬 수 있습니다.
5. 손상되거나 개조된 배터리 팩 혹은 공구를 사용하지 마십시오. 손상되거나 개조된 배터리는 예기치 못한 현상으로 화재, 폭발 또는 부상으로 이어질 수 있습니다.
6. 배터리 팩이나 공구를 불 또는 너무 높은 온도에 노출시키지 마십시오. 불이나 130°C 이상의 높은 온도에 노출시키면 폭발의 원인이 될 수 있습니다.
7. 충전에 관한 모든 지시를 따르고, 설명서에 지정된 온도 범위 밖에서 배터리 팩 혹은 공구를 충전하지 마십시오. 지정된 온도 범위 밖 또는 부적절한 충전은 배터리에 손상을 주고 화재의 위험을 높일 수 있습니다.

서비스

1. 자격을 갖춘 전문가가 마끼다 순정부품을 사용하여 본 제품을 수리하도록 하여 주십시오. 그러면 전동공구를 안전하게 사용하는 데 도움이 됩니다. 만일 전원 코드의 대치가 필요하면 이는 안전사고를 피하기 위해 제조자나 대리점에 의해 행해집니다.
2. 손상된 배터리 팩을 점검하지 마십시오. 배터리 팩은 제조업체 또는 공인 서비스 센터에서만 점검해야 합니다.
3. 주유 및 부속품의 교환 시에는 설명서의 지시를 따라 주십시오.

충전식 진공 펌프 안전 경고

1. 전동공구는 냉장 및 에어컨 컨디셔닝 장비와 흡수 용기의 배출에 사용되는 기계입니다. 다른 용도로는 사용하지 마십시오. 다른 용도로 사용할 경우 사고가 발생할 수 있습니다.
2. 전동공구를 사용하기 전에 항상 오일 누출 여부를 점검하십시오. 이렇게 하지 않으면 화재가 발생할 수 있습니다.
3. 안전하고 효율적인 작업을 위해 오일 높이 및 상태(열화 등)를 검사하십시오.
4. 너무 뜨겁거나 너무 차가운 환경에서는 적절한 성능이 발휘되지 않을 수 있습니다.

위의 지시 사항을 준수하여 주십시오

⚠경고: 여러 번 사용해 익숙해졌다 하더라도 긴장을 늦추지 말고 항상 안전수칙을 지켜주시기 바랍니다.

본 사용 설명서의 안전 수칙을 따르지 않거나 잘못 사용하면 심각한 대인 상해가 일어날 수 있습니다.

1. 배터리 카트리지를 사용하기 전에 (1) 배터리 충전기 (2) 배터리 (3) 배터리를 사용하는 제품에 관한 모든 지시사항 및 주의 표시를 숙지하여 주십시오.
2. 배터리 카트리지를 분해하지 마십시오.
3. 작동 시간이 지나치게 짧아진 경우에는 작동을 즉시 멈춰 주십시오. 과열이나 화재 혹은 폭발할 위험이 있습니다.
4. 전해질이 눈에 들어간 경우에는 깨끗한 물로 씻어낸 다음 즉시 치료를 받으십시오. 시력을 잃을 수 있습니다.
5. 배터리 카트리지를 단락시키지 마십시오:
 - (1) 전도력이 있는 물질로 배터리 단자를 접촉하지 마십시오.
 - (2) 못, 동전 등과 같은 금속 물질이 들어 있는 통에 배터리 카트리지를 보관하지 마십시오.
 - (3) 배터리 카트리지를 물이나 비에 노출시키지 마십시오.

배터리가 단락되어 과전류, 과열, 화재 및 고장이 일어날 수 있습니다.

6. 온도가 50°C 이상 되는 곳에 공구와 배터리 카트리지를 보관 및 사용하지 마십시오.
7. 심하게 손상되었거나 완전히 닳은 경우라도 배터리 카트리지를 태우지 마십시오. 배터리 카트리지가 폭발할 수 있습니다.
8. 배터리를 떨어뜨리거나 충격을 가하지 마십시오.
9. 손상된 배터리를 사용하지 마십시오.
10. 배터리 폐기에 관해서는 지역 규정에 따르십시오.
11. 밀폐된 리튬이온 배터리는 위험물법 요구사항에 부합해야 합니다.

배터리 카트리지를 폐기할 때는 도구에서 이를 빼내 안전한 곳에서 폐기합니다. 배터리 폐기 관련 현지 규정을 따릅니다.
12. Makita가 지정된 제품에만 배터리를 사용합니다.
13. 도구를 장기간 사용하지 않는 경우 도구에서 배터리를 빼내야 합니다.
14. 사용하는 동안 그리고 사용 후에는 배터리 카트리지가 가열되어 화재 또는 저온 화상을 입을 수 있습니다.
15. 화상을 입을 정도로 뜨거울 수 있으므로 사용 직후에는 도구의 단자를 건드리지 마십시오.
16. 배터리 카트리지의 단자, 구멍, 홀에 부스러기, 분진 또는 오염물이 들어가 걸려서는 안 됩니다. 이 경우 도구 또는 배터리 카트리지의 성능 불량이나 파손이 발생할 수 있습니다.
17. 도구가 고압 전선 인근에서의 사용을 지원하지 않는 경우 고압 전선 인근에서 배터리 카트리지를 사용하지 마십시오.
18. 배터리를 어린이의 손이 닿지 않는 곳에 보관합니다.

위의 지시 사항을 준수하여 주십시오

주의: 정품 Makita 배터리를 사용하십시오. 비정품 Makita 배터리 또는 개조된 배터리를 사용할 경우 배터리가 폭발하여 화재, 대인 상해 및 손상이 발생할 수 있습니다. 또한 Makita 공구와 충전기에 대한 Makita 보증이 무효화됩니다.

배터리 수명을 최대한 유지하는 방법

1. 완전히 방전되기 전에 배터리 카트리지를 충전합니다. 공구의 힘이 약해진 것을 감지했을 때 공구의 작동을 멈추고 배터리 카트리지를 충전합니다.
2. 완전히 충전된 배터리 카트리지를 재충전하지 마십시오. 과충전은 배터리의 수명을 단축시킵니다.
3. 실내 온도 10℃~40℃에서 배터리 카트리지를 충전합니다. 충전하기 전에 뜨거운 배터리 카트리지를 식힙니다.
4. 배터리 카트리지를 사용하지 않을 때는 도구 또는 충전기에서 이를 빼냅니다.
5. 6개월 이상 장기간 배터리 카트리지를 사용하지 않을 때는 충전한 다음 보관해 주십시오.

각 부 설명

▶ 그림 1:

- | | |
|----------------|-----------------|
| 1. 유입 포트 3/8" | 11. 모터 |
| 2. 가스 밸러스트 밸브 | 12. LED 램프 |
| 3. 오일 급유/배출 캡 | 13. 전원 스위치 |
| 4. 흡입 포트 5/16" | 14. 배터리 가드 |
| 5. 확인창 | 15. 배터리 홀더 |
| 6. 배수 밸브 | 16. 배터리(왼쪽 포트) |
| 7. 오일 탱크 | 17. 배터리(오른쪽 포트) |
| 8. 펌프 주변 지역 | 18. 손잡이 |
| 9. 솔레노이드 밸브 | 19. 배선 커버 |
| 10. 베이스 | |

기능 설명

주의: 펌프의 기능을 조정하거나 점검하기 전에는 항상 펌프의 스위치가 꺼져 있고 배터리 카트리지가 분리되어 있는지를 확인하여 주십시오.

배터리 카트리지 설치 및 제거

주의: 배터리 카트리지를 장착하거나 제거하기 전에는 반드시 펌프의 스위치를 끄십시오.

주의: 배터리 카트리지를 장착하거나 제거할 때 펌프와 배터리 카트리지를 단단히 잡아 주십시오. 펌프와 배터리 카트리지를 단단히 잡지 않으면 손에서 미끄러져 펌프와 배터리 카트리지에 손상이 생기고 대인 상해가 발생할 수 있습니다.

▶ 그림 2:

1. 적색 표시기
2. 버튼
3. 배터리 카트리지

배터리 카트리지를 분리하려면 카트리지 전면에 있는 버튼을 밀면서 펌프에서 빼냅니다.

배터리 카트리지를 장착하려면 구멍 홈에 배터리 카트리지의 끝부분을 맞추고 그대로 밀어 넣습니다. 딸각 소리가 나면서 제자리에 들어가 잠길 때까지 쪽 밀어 넣습니다. 버튼의 윗쪽에 적색 표시기가 보이면 완전히 잠긴 것이 아닙니다.

주의: 적색 표시기가 보이지 않을 때까지 배터리 카트리지를 완전히 장착합니다. 그렇지 않으면 펌프에서 분리되어 들어가지 않거나 주변 사람에게 상해를 입힐 수 있습니다.

주의: 배터리 카트리지를 힘으로 장착하지 마십시오. 카트리지가 쉽게 들어가지 않으면 정확하게 삽입한 것이 아닙니다.

배터리 보호 장치

펌프 또는 배터리에는 배터리 보호 장치가 장착되어 있습니다. 이 장치는 자동으로 모터의 전원을 차단해 배터리 수명을 연장시킵니다. 다음과 같은 상황에서 펌프나 배터리를 사용하면 펌프가 자동으로 작동을 멈춥니다.

과부하:

펌프 또는 배터리가 비정상적으로 높은 전류를 소모하는 방식으로 작동합니다.

이런 경우 펌프를 끄고 펌프 과부하를 초래하는 용도로의 사용을 중지합니다. 그런 다음 펌프를 켜고 다시 시작합니다.

펌프가 가동하지 않는다면 배터리가 과열된 것입니다.

이런 경우, 펌프를 다시 켜기 전에 배터리를 식힙니다.

낮은 배터리 전압:

남아 있는 배터리 용량이 너무 적어 펌프를 작동할 수 없습니다. 이런 경우, 배터리를 분리한 후 충전합니다.

남아 있는 배터리 용량 표시




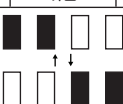
표시기가 장착된 배터리 카트리지 전용

▶ 그림 3:

1. 표시기 램프
2. 확인 버튼

배터리 카트리지에 있는 확인 버튼을 눌러 배터리의 남은 용량을 표시합니다. 표시기 램프가 몇 초간 켜집니다.

표시기 램프			남은 용량
켜짐	꺼짐	깜빡임	
■ ■ ■ ■			75% - 100%
■ ■ ■ □			50% - 75%
■ ■ □ □			25% - 50%
■ □ □ □			0% - 25%
▣ □ □ □			배터리를 충전합니다.

표시기 램프			남은 용량
 켜짐	 꺼짐	 깜빡임	
			배터리가 고장일 수 있습니다.

주석: 사용 조건과 주변 온도에 따라 실제 용량보다 조금 다르게 표시될 수 있습니다.

주석: 첫 번째 (맨 왼쪽) 표시등은 배터리 보호 시스템 작동 시 점멸합니다.

조작

새로 구입한 펌프에는 오일이 들어 있지 않습니다. “오일 넣기” 를 참조하여 오일을 넣으십시오.

⚠경고: 오일을 넣지 않고 펌프를 작동하면 펌프가 손상됩니다. 또한 오일 탱크가 뜨거워져서 화상이나 기타 사고가 발생할 수 있습니다.

오일 넣기

▶ 그림 4:

1. 오일 급유/배출 캡
2. 높이 선
3. 확인창
4. 오일 탱크

1. 오일 급유/배출 캡을 분리하고 제공된 오일을 급유 포트를 통해 넣습니다.

유의사항: 펌프 성능 유지를 위해 항상 Makita 정품 오일을 사용하십시오.

2. 오일 높이가 확인창의 상한 및 하한 높이 선 사이에 오도록 넣습니다.

유의사항: 오일 높이는 매우 중요합니다. 오일 높이가 상한 및 하한 높이 선 사이에 있지 않은 조건에서 펌프를 작동하면 고장날 수 있습니다.

성능 확인

▶ 그림 5:

1. 충전 호스(노란색)
2. 유입 포트
3. 진공 펌프
4. 매니폴드
5. 하부 밸브
6. 닫기

1. 매니폴드의 하부 밸브와 펌프의 유입 포트를 충전 호스로 연결합니다.

2. 매니폴드의 하부 밸브를 닫습니다.

3. 펌프를 켭니다. 매니폴드의 압력이 30초 내에 $-0.09 \sim -0.1$ MPa를 나타내면 펌프가 정상적으로 작동하는 것입니다.

4. 펌프를 끕니다.

작동

▶ 그림 6:

1. 충전 호스(노란색)
2. 유입 포트
3. 가스 밸러스트 밸브
4. 진공 펌프
5. LED 램프
6. 배터리
7. 충전 호스(파란색)
8. 서비스 포트(저압면)
9. 실외 장치
10. 서비스 포트(고압면)
11. 충전 호스(빨간색)
12. 닫기
13. 상부 밸브
14. 매니폴드
15. 하부 밸브
16. 닫기

1. 펌프, 매니폴드 및 실외 장치를 호스로 연결합니다.

주석: 장치의 서비스 포트 크기가 1/4"인 경우, 제공된 다른 직径의 어댑터를 사용하십시오.

2. 매니폴드의 상단 및 하단 밸브가 닫혀 있는지 확인합니다.
3. 펌프에 2개 배터리를 설치합니다. (설치 방법은 “배터리 카트리지 설치 및 제거” 를 참조합니다.)
4. 가스 밸러스트 밸브를 엽니다.
5. 펌프를 켭니다. LED 램프(빨간색)이 켜지고 모터가 작동합니다.
6. 매니폴드의 하부 밸브와 상부 밸브를 엽니다.
7. 5 ~ 10분 후 가스 밸러스트 밸브를 닫습니다.

참고: 가스 밸러스트 밸브는 오일에서 물(수증기)과 응축 가스(배기 시 펌프에 흡입되는 것)를 제거하는 용도로 사용됩니다. 응축 가스가 액화되거나 오일에 들어가는 경우 유효성이 줄어든다 펌프와 실외 사용 수명이 단축될 수 있습니다. 가스 밸러스트 밸브에서 나온 공기가 들어가면 응축된 가스가 그대로 남고 공기와 함께 배출됩니다.

펌프 온도가 높을수록 가스 밸러스트의 효율성이 높아질 수 있으므로 펌프를 작동 전에 예열하는 것이 좋습니다.

8. 배터리(왼쪽 포트)의 남은 용량이 비게 되면 전력 공급이 자동으로 배터리(오른쪽 포트)로 전환됩니다. 배터리 L을 떼낸 후 예비 배터리로 교체합니다. 배터리 R의 남은 용량이 비게 되면 전력 공급이 배터리 L로 다시 전환됩니다. 펌프는 충전된 예비 배터리를 L-R-L-R 순으로 반복 사용하면 장시간 작동할 수 있습니다.

⚠경고: 펌프는 작동 동안 그리고 정지 직후에 뜨거워집니다. 뜨거운 상태에서는 펌프 주변 지역을 건드리지 마십시오. 그 경우 화상 등의 사고가 발생할 수 있습니다.

주석: 모터가 차가울 때는(5°C 이하) 작동하지 않을 수 있습니다. 이 경우에는 펌프를 실내로 가져와서 온도를 올리십시오.

9. 지정된 진공(에어 컨디셔너 제조업체에서 제공한 설명서 참조)에 도달하면 매니폴드의 하부 밸브를 닫습니다.
10. 펌프를 끕니다.

기밀성 테스트

펌프와 매니폴드를 방치한 후 5분 이상 매니폴드의 압력이 상승하지 않으면 누출이 없는 것입니다.

주석: 배터리 잔량이 낮아지면 LED 램프가 꺼지고 동시에 긴 알람 신호음이 울리기 시작합니다. 약 2분 후 모터가 중지합니다. 그런 다음 알람 신호음이 반복되는 간헐적 신호음으로 바뀌어 모터 중지를 알리고 30초 후 신호음이 멈춥니다. 하지만 모터가 중지될 때까지(또는 알람 신호음이 짧은 신호음으로 바뀔 때까지) 기다리지 말고 공구의 유입 밸브 및 매니폴더의 저압측 밸브를 닫으십시오.

펌프가 꺼졌는지 확인하고 배터리를 제거한 후 충전하거나 예비 배터리를 교환하십시오.

- 배터리 작동 시간은 다음 표를 참조하십시오.

작동 시간(지침)

배터리	피스당 작동 시간
BL1860B	30 분
BL1850B	25 분
BL1840B	20 분
BL1830B	15 분

- 작업 완료 후에는 배터리를 분리한 후 제공된 커버를 부착하십시오.

유의사항: 공구를 운반, 조작 및 보관할 때는 옆이나 위아래로 누집어두지 마십시오. 이 경우 오일 필러/통기구 캡에서 오일이 새 수 있습니다.

유지 보수

▲주의: 점검 또는 유지 보수 작업을 하기 전에는 항상 펌프의 스위치가 꺼져 있고 배터리 카트리지가 분리되어 있는지 확인하여 주십시오.

유의사항: 휘발유, 벤진, 시너, 알코올 등은 사용하지 마십시오. 변색 또는 변형되거나 금이 갈 수 있습니다.

제품의 안정과 신뢰성을 유지하기 위해, 수리 및 기타 유지 보수 또는 조정 시에는 항상 Makita 순정 부품을 사용하는 Makita 공인 서비스 센터나 공장 서비스 센터를 이용하여 주십시오.

오일 점검

▶ 그림 7:

1. 높이 선
2. 확인창

- 펌프를 사용하기 전에 항상 오일 높이 및 상태(열화 등)를 검사하십시오.

주석: 오일 레벨이 확인창의 상한선과 하한선 사이에 들어올 때까지 오일을 추가합니다. 오일 양은 300ml입니다.

주석: 오일 레벨은 중요합니다. 상한선과 하한선 사이에 있지 않다면 오작동이 발생할 수 있습니다.

오일 교체

▶ 그림 8:

1. 배수 밸브

1. 펌프를 1 ~ 2분간 작동하여 오일을 예열합니다.
2. 펌프를 끕니다.
3. 배수 밸브를 제거하여 오일을 배수합니다.
4. “오일 넣기”를 참조하여 새 오일을 넣습니다.
- 폐기 오일은 현지 규정에 따라 폐기하십시오.

주석: 오염 물질이 펌프로 들어가는 것을 방지하기 위해 20시간 사용 후 오일을 교환할 것을 권장합니다.

오래된 냉장 시스템에서 진공을 실시할 때는 매 사용 후 오일을 교환하여 주십시오.

펌프 청소

1. 오일이 심하게 더러운 경우에는 오일을 교환한 다음 펌프를 3~5분 동안 작동하십시오.
2. 오일을 배출하고 새 오일을 넣습니다. 배출된 오일이 그래도 더러운 경우에는 이 청소 과정을 2~3회 반복합니다.

별매품

▲주의: 이는 본 사용 설명서에 명시된 Makita 공구를 사용할 때 권장되는 부속품입니다. 다른 부속품을 사용하게 되면 대인 상해를 야기할 수 있습니다. 지정된 용도로만 별매품을 사용하여 주십시오.

본 부속품에 관한 보다 상세한 도움이 필요하신 경우에는 각 지역 Makita 서비스 센터에 문의하여 주십시오.

- 솔더 벨트
- 진공 펌프 오일 300 ml
- 진공 펌프 호스
- 게이지 포함 진공 펌프 밸브
- Makita 정품 배터리와 충전기

▲주의: 솔더 벨트를 사용할 때:

- 후크가 손상되거나 변형된 경우 솔더 벨트를 사용하지 마십시오.
- 후크는 Makita 솔더 벨트에만 사용하도록 되어 있습니다. 다른 부속품을 연결하지 마십시오. 의도하지 않은 용도로 사용하면 사고 또는 부상을 입을 수 있습니다.
- 솔더 벨트는 펌프를 어깨에 메기 위한 것입니다. 낙하 방지 수단과 같은 다른 용도로 사용하지 마십시오.
- 솔더 벨트에 과도한 하중을 가하지 마십시오. 그렇게 하면 솔더 벨트 또는 장착 부품이 파손되어 부상을 입을 수 있습니다.
- 솔더 벨트를 사용하는 경우 솔더 벨트를 핸들의 후크에 부착하십시오. 솔더 벨트를 사용하여 운반할 때 솔더 벨트가 후크에 단단히 부착되어 있는지 확인하고 펌프의 핸들을 잡으십시오.

주석: 목록의 몇 가지 품목은 표준 부속품으로 공구 포장에 포함되어 있습니다. 포함된 품목은 국가별로 상이할 수 있습니다.

به منظور حفظ ایمنی و اطمینان پذیری دستگاه، تعمیرات، کارهای نگهداری و با تنظیمات باید توسط مراکز خدمات مجاز ماکیتا یا مراکز خدمات کارخانه و فقط با استفاده از قطعات یدکی اصل ماکیتا انجام شوند.

کنترل روغن

شکل 7:

1. خط نشانگر
 2. دریچه بازدید
- پیش از استفاده از پمپ باید همیشه سطح و کیفیت روغن (خراب شدن و غیره) را کنترل کنید.

تذکر: تاجایی روغن اضافه کنید که سطح روغن مابین خطوط نشانگر فوقانی و تحتانی دریچه بازدید قرار گیرد. مقدار روغن 300 ml می باشد.

تذکر: سطح روغن مهم است. اگر بین خطوط نشانگر فوقانی و تحتانی نباشد، می تواند باعث بروز اشکالات کاری شود.

تعویض روغن

شکل 8:

1. شیر تخلیه
 1. پمپ را برای 1 تا 2 دقیقه به کار ببندازید تا روغن گرم شود.
 2. پمپ را خاموش کنید.
 3. شیر تخلیه را برداشته و روغن را تخلیه کنید.
 4. به «اضافه کردن روغن» رجوع کرده و روغن جدید اضافه کنید.
- روغن کهنه را با رعایت مقررات محلی دور بریزید.

تذکر: توصیه می شود روغن را بعد از 20 ساعت کار عوض کنید تا از اجزای پمپ در برابر آلاینده های کشیده شده به داخل پمپ محافظت گردد.

هنگام اعمال خلاء در سیستم های تیرید قتییمی، روغن را بعد از هر بار استفاده عوض کنید.

تمیز کردن پمپ

1. هنگامی که روغن بشدت کثیف شده است باید روغن را عوض کرده و سپس پمپ را برای 3 تا 5 دقیقه به کار ببندازید.
 2. روغن را تخلیه کرده و روغن جدید اضافه کنید.
- اگر روغن هنوز کثیف است، این فرایند تمیز کردن را دو یا سه بار تکرار کنید.

وسایل جانبی اختیاری

احتیاط: این لوازم جانبی یا متعلقات برای استفاده با ابزار ماکیتای شرح داده شده در این دفترچه راهنما مناسب هستند. استفاده از لوازم جانبی یا متعلقات متفرقه، خطر بروز جراحت را برای افراد به دنبال خواهد داشت. لوازم جانبی و یا متعلقات را فقط برای کاربرد تعیین شده آنها استفاده کنید.

اگر درباره هر یک از این لوازم جانبی به اطلاعات بیشتری نیاز داشتید، با مرکز محلی خدمات ماکیتا تماس بگیرید.

- بند شانه
- روغن پمپ خلاء 300 ml
- شلنگ پمپ خلاء
- شیر پمپ خلاء با گیج
- باتری ها و شارژرهای اصل ماکیتا

احتیاط: در هنگام استفاده از بند شانه:

- اگر قلاب آسیب دیده یا تغییر شکل یافته است نباید از بند شانه استفاده کنید.
- قلاب ها فقط برای استفاده با بند شانه ماکیتا می باشند. هیچ ضمیمه دیگری وصل نکنید. استفاده در کاربردهای بغیر از آنچه که دستگاه برای آنها طراحی شده می تواند به بروز حادثه یا جراحت شخصی منجر شود.
- بند شانه برای حمل پمپ روی شانه طراحی شده است. از آن برای مقاصد دیگر، بعنوان مثال برای جلوگیری از افتادن استفاده نکنید.
- بار بیش از اندازه روی بند شانه قرار ندهید. این کار می تواند باعث شکستن بند شانه یا قسمت سوار کردن شده و منجر به جراحت شخص شود.
- هنگام استفاده از بند شانه، آنرا به قلاب های روی دسته وصل کنید. اطمینان حاصل کنید که بند شانه محکم به قلاب ها متصل باشد و دسته پمپ را موقع حمل با استفاده از بند شانه بگیرد.

تذکر: برخی از اقلام فهرست ممکن است بعنوان وسایل و متعلقات استاندارد در بسته ابزار قرار داده شده باشند. اینها ممکن است بر حسب کشور متفاوت باشند.

اضافه کردن روغن

شکل 4:

1. درپوش پر کردن/تخلیه روغن 3. درجه بازدید
2. خط نشانگر 4. مخزن روغن

1. درپوش پر کردن/تخلیه روغن را برداشته و روغن ارانه شده را از طریق درگاه پرکننده اضافه کنید.

تذکر: برای حفظ کیفیت عملکرد پمپ باید همیشه از روغن اصل ماکیتا استفاده کنید.

2. تاجایی روغن اضافه کنید که سطح روغن مابین خطوط نشانگر فوقانی و تحتانی درجه بازدید قرار گیرد.

تذکر: سطح روغن مهم است. به کار انداختن پمپ در شرایطی که سطح روغن بین خطوط نشانگر فوقانی و تحتانی نیست می تواند موجب بروز اشکالات کاری شود.

کنترل عملکرد

شکل 5:

1. شلنگ شارژ (زرد)
 2. درگاه ورودی
 3. پمپ خلاء
 4. منیفولد
 5. شیر سمت پایین
 6. بسته
1. شیر سمت پایین منیفولد و درگاه ورودی پمپ را با یک شلنگ شارژ وصل کنید.
 2. شیر سمت پایین منیفولد را ببندید.
 3. پمپ را روشن کنید. اگر فشار منیفولد حاکی از خلاء 0.09- تا 0.1 MPa ظرف مدت 30 ثانیه باشد، بدین معنی است که پمپ درست کار می کند.
 4. پمپ را خاموش کنید.

طرز کار

شکل 6:

1. شلنگ شارژ (زرد)
2. درگاه ورودی
3. شیر گاز بالاست
4. پمپ خلاء
5. چراغ LED
6. باتری
7. شلنگ شارژ (آبی)
8. درگاه سرویس (سمت فشار پایین)
9. واحد بیرونی
10. درگاه سرویس (سمت فشار بالا)
11. شلنگ شارژ (قرمز)
12. بسته
13. شیر سمت بالا
14. منیفولد
15. شیر سمت پایین
16. بسته

1. پمپ، منیفولد و واحد بیرونی را با شلنگ ها وصل کنید.

تذکر: اگر اندازه درگاه سرویس روی واحد "1/4" است، از تبدیل ارائه شده با قطر متفاوت استفاده نمایید.

2. کنترل کنید که شیرهای سمت بالا و پایین منیفولد بسته باشند.
3. دو باتری در پمپ نصب کنید. (برای آگاهی از شیوه نصب به «قراردادن و برداشتن کارتریج باتری» رجوع کنید.)
4. شیر گاز بالاست را باز کنید.
5. پمپ را روشن کنید. چراغ LED (قرمز) روشن شده و موتور کار می کند.
6. شیر سمت پایین و شیر سمت بالای منیفولد را باز کنید.
7. شیر گاز بالاست را بعد از 5 تا 10 دقیقه ببندید.

نگهداری

احتیاط: همیشه پیش از بازدید یا انجام هرگونه کار نگهداری، پمپ را خاموش کرده و کارتریج باتری را بردارید.

تذکر: هرگز از بنزین، بنزن، تینر، الکل و مواد مشابه استفاده نکنید. امکان تغییر رنگ، تغییر شکل و یا ترک خوردگی وجود خواهد داشت.

تذکر: شیر گاز بالاست برای جدا ساختن آب (بخارات) و گاز میعان پذیر (وارد شده به پمپ از طول تخلیه) از روغن استفاده می شود. اگر گاز میعان پذیر مایع شده و وارد روغن شود، می تواند باعث کاهش خاصیت روغنی شده و عمر پمپ و درز آب بندی را کوتاه سازد. هنگامی که هوا از شیر گاز بالاست وارد می شود، گاز میعان یافته به همان شکل باقی می ماند و با هوا تخلیه خواهد شد.

توصیه می شود پمپ را پیش از کار گرم کنید چون هرچه دمای پمپ بالاتر باشد، راندمان قابل حصول بالاست گاز بیشتر می شود.

8. هنگامی که ظرفیت باقیمانده باتری (در درگاه سمت چپ) خالی شود، منبع تغذیه بطور خودکار به باتری (در درگاه راست) تغییر می کند. باتری چپ را برداشته و یک باتری یکنی بجای آن بگذارید. هنگامی که ظرفیت باقیمانده باتری راست خالی شود، منبع تغذیه مجدداً به باتری چپ تغییر می کند. پمپ می تواند برای مدت طولانی با باتری های یکدک شارژ شده بطور مکرر برای چپ-راست-چپ-راست کار کند.

هشدار: پمپ در طول کار و فوراً از توقف داغ است. محیط اطراف پمپ را وقتی داغ است لمس نکنید. انجام این کار می تواند منجر به بروز سوختگی یا سایر حوادث گردد.

تذکر: اگر موتور سرد باشد (5°C یا کمتر) شاید کار نکنند. در این حالت ها باید پمپ را به فضای داخل ساختمان آورده و بگذارید گرم شود.

9. هنگامی که به خلاء مشخص شده دست یافتید (به دفترچه راهنمای سازنده وسیله تئویه مطبوع رجوع کنید)، شیر سمت پایین منیفولد را ببندید.

10. پمپ را خاموش کنید.

تست هوایدی

اگر فشار منیفولد برای 5 دقیقه یا بیشتر بعد از رها کردن پمپ و منیفولد افزایش نیافت بدین معنی است که نشتی وجود ندارد.

تذکر: هنگامی که ظرفیت باقیمانده باتری کم می شود، چراغ LED خاموش شده و همزمان یک صدای هشدار بیپ طولانی به گوش می رسد. موتور بعد از حدود دو دقیقه متوقف می شود. سپس بیپ هشدار به یک بیپ مکرر کوتاه مدت تغییر می کند که توقف موتور را اعلام کرده و 30 ثانیه بعد صدای بیپ قطع می گردد. در این وجود، منتظر متوقف شدن موتور (با تغییر بیپ هشدار به بیپ کوتاه مدت) نشوید، در عوض باید شیر ورودی ابزار و شیر سمت فشار پایین منیفولد را ببندید.

کنترل کنید که پمپ خاموش شده باشد، باتری را برداشته و آنرا شارژ کرده یا آنرا با یک باتری یکدک عوض کنید.

- برای آگاهی از زمان های کار باتری به جدول زیر رجوع کنید.

زمان های کار (راهنما)

باتری	زمان های کاری به ازای واحد
BL1860B	30 دقیقه
BL1850B	25 دقیقه
BL1840B	20 دقیقه
BL1830B	15 دقیقه

- بعد از اتمام کار، باتری ها را بردارید و قاب ارائه شده را وصل کنید.

تذکر: هنگام حمل، کار یا قرار دادن ابزار در محل نگهداری، هرگز نباید آنرا به پهلو یا برعکس قرار دهید. این کار می تواند باعث نشت روغن از درپوش پرکننده/تهویه روغن شود.

3. کارتریج باتری را در دمای اتاق بین 10 تا 40 درجه سانتیگراد شارژر کنید. اگر کارتریج باتری داغ است ابتدا بگذارید خنک شود بعد آنرا شارژر کنید.
4. هنگامی که از کارتریج باتری استفاده نمی کنید، آنرا از ابزار یا شارژر خارج کنید.
5. اگر از کارتریج باتری برای مدت طولانی استفاده نمی کنید (بیشتر از شش ماه) آنرا شارژر کنید.

سیستم محافظت باتری

پمپ یا باتری مجهز به یک سیستم محافظت باتری هستند. این سیستم به منظور پیشتر کردن عمر باتری، توان ورودی به موتور را بطور خودکار قطع می کند. اگر پمپ و/یا باتری در یکی از شرایط زیر قرار بگیرند، کارکرد پمپ بطور خودکار متوقف خواهد شد:

اضافه بار:

پمپ یا باتری طوری به کار گرفته شده است که جریان بسیار زیاد و غیر عادی می کشد.

در این حالت، پمپ را خاموش کرده و کاری که باعث وارد آمدن اضافه بار به پمپ شده است را متوقف نمایید. سپس برای شروع دوباره پمپ را روشن کنید. اگر پمپ شروع به کار نکند، باتری آن بیش از حد گرم شده است. در این حالت، پیش از روشن کردن دوباره پمپ اجازه دهید باتری خنک شود.

ولتاژ کم باتری:

ظرفیت باقیمانده باتری خیلی کم است و پمپ کار نخواهد کرد. در این حالت، باید باتری را خارج کرده و دوباره شارژر کنید.

نمایش ظرفیت باقیمانده باتری

فقط برای کارتریج های باتری دارای نشانگر

شکل 3:

1. چراغ های نشانگر
2. دکمه بررسی

برای اینکه ظرفیت باقیمانده باتری نمایش داده شود، دکمه بررسی روی کارتریج باتری را فشار دهید. چراغ های نشانگر برای چند ثانیه روشن خواهند شد.

ظرفیت باقیمانده	چراغ های نشانگر		
	روشن	خاموش	چشمک زن
75% تا 100%	■ ■ ■ ■	■ ■ ■ ■	■ ■ ■ ■
50% تا 75%	■ ■ ■ ■	■ ■ ■ ■	■ ■ ■ ■
25% تا 50%	■ ■ ■ ■	■ ■ ■ ■	■ ■ ■ ■
0% تا 25%	■ ■ ■ ■	■ ■ ■ ■	■ ■ ■ ■
باتری را شارژر کنید.	■ ■ ■ ■	■ ■ ■ ■	■ ■ ■ ■
باتری احتمالاً اشکال دارد.	■ ■ ■ ■	■ ■ ■ ■	■ ■ ■ ■

تذکر: بسته به شرایط استفاده و دمای محیطی، این امکان وجود دارد که مقادیر نشان داده شده با ظرفیت واقعی کمی متفاوت باشند.

تذکر: هنگامی که سیستم محافظت باتری کار نکند، چراغ نشانگر اول (منتهی الیه سمت چپ) چشمک خواهد زد.

طرز کار

پمپ زمانی که به تازگی خریداری شده است محتوی روغن نیست. به «اضافه کردن روغن» رجوع کرده و روغن اضافه کنید.

هشدار: به کار انداختن پمپ در شرایطی که روغن به آن اضافه نشده موجب آسیب دیدن پمپ خواهد شد. علاوه بر این، مخزن روغن داغ شده و می تواند موجب سوختگی یا سایر حوادث شود.

معرفی اجزا و قطعات

شکل 1:

1. درگاه ورودی "3/8"
2. شیر گاز بالاست
3. درپوش پر کردن/تخلیه روغن
4. درگاه ورودی "1/16"
5. دریچه بازدید
6. شیر تخلیه
7. مخزن روغن
8. محیط اطراف پمپ
9. شیر سلونوئید
10. پایه
11. موتور
12. چراغ LED
13. کلید روشن خاموش
14. حفاظ باتری
15. نگهدارنده باتری
16. باتری (در درگاه چپ)
17. باتری (در درگاه راست)
18. دسته
19. قاب سیم کشی

تشریح عملکرد دستگاه

احتیاط: پیش از تنظیم کردن پمپ یا بررسی قابلیت های مختلف آن باید دقت کنید که همیشه پمپ را خاموش کرده و کارتریج باتری آنرا جدا کرده باشید.

قرار دادن یا برداشتن کارتریج باتری

احتیاط: همیشه پیش از قرار دادن یا برداشتن کارتریج باتری باید پمپ را خاموش کنید.

احتیاط: هنگام قرار دادن یا برداشتن کارتریج باتری، پمپ و کارتریج باتری را محکم نگه دارید. محکم نگرفتن پمپ و کارتریج باتری باعث می شود از دست شما بیفتند و در نتیجه با صدمه دیدگی پمپ و کارتریج باتری و جراحت شخصی روبرو خواهید شد.

شکل 2:

1. نشانگر قرمز
2. دکمه
3. کارتریج باتری

برای برداشتن کارتریج باتری، دکمه جلوی کارتریج را کشیده و همزمان آنرا از پمپ کشیده و جدا کنید.

برای قرار دادن کارتریج باتری، زبانه روی کارتریج باتری را با شیار جایگاه هماهنگ کرده و آنرا در جای خود بگذارید. آنرا تا انتها وارد کنید تا با یک صدای کلیک خفیف در جای خود قفل شود. اگر نشانگر قرمز بالای دکمه را می بینید بدین معنی است که بطور کامل قفل نشده است.

احتیاط: همیشه کارتریج باتری را بطور کامل قرار دهید تا نشانگر قرمز دیگر دیده نشود. در غیراینصورت امکان دارد که تصادفاً از پمپ جدا شده و بیفتند و شما یا اطرافیان شما را مجروح کند.

احتیاط: کارتریج باتری را با توسل به زور قرار ندهید. اگر کارتریج براحتی در جای خود قرار نمی گیرد، روش قرار دادن صحیح نیست.

راهنمایی های مهم ایمنی برای کاربری باتری

1. عمل شارژ را فقط با شارژری که سازنده معین کرده است انجام دهید. شارژری که برای یک نوع بسته باتری مناسب باشد می تواند در صورت استفاده با یک بسته باتری دیگر خطر آتش سوزی ایجاد نماید.
2. ابزارهای الکتریکی را فقط با بسته های باتری تعیین شده اختصاصی آنها استفاده کنید. استفاده کردن از بسته های باتری دیگری می تواند به بروز خطر جراثیم یا آتش سوزی منجر شود.
3. هنگامی که بسته باتری تحت استفاده نیست، آنرا از سایر اشیای فلزی مانند گیره کاغذ، سکه، کلید، میخ، پیچ یا سایر اشیای فلزی کوچک که می توانند باعث اتصال دو پایانه بهم شوند دور نگه دارید. اتصال کوتاه پایانه های باتری می تواند باعث سوختگی یا آتش سوزی شود.
4. در شرایط نامناسب، امکان دارد ایمنی از باتری به بیرون تراوش کند؛ از تماس با آن احتراز کنید. اگر تصادفاً تماس حاصل شد، با آب بشویید. اگر این مایع با چشمان شما تماس پیدا کرد به پزشک نیز مراجعه کنید. مایعی که از باتری تراوش می کند می تواند باعث تحریک و یا سوختگی شود.
5. اگر ابزار یا بسته باتری آسیب دیده یا اصلاح شده اند هرگز نباید از آنها استفاده کنید. باتری های آسیب دیده یا اصلاح یافته ممکن است عملکرد غیر قابل پیش بینی داشته باشند که منجر به آتش سوزی، انفجار یا بروز خطر جراثیم خواهد شد.
6. بسته باتری یا ابزار را در معرض آتش یا دمای خیلی زیاد قرار ندهید. قرار دادن در معرض آتش یا دمای بالای 130 درجه سانتیگراد می تواند موجب انفجار شود.
7. تمام دستورات العمل های شارژ کردن را رعایت کرده و بسته باتری یا ابزار را در خارج از محدوده دمای مشخص شده در دستورالعمل ها شارژ نکنید. شارژ کردن به روش نادرست یا در دمای خارج از محدوده مشخص شده می تواند به باتری آسیب رسانده و خطر آتش سوزی را بالا ببرد.
8. باتری های یون لیتیم موجود مشمول الزامات قوانین کالاهای خطرناک می باشند.
9. هنگام دور انداختن کاربری شارژی، آنرا از ابزار خارج کرده و در مکانی امن دور بیندازید. قوانین و مقررات محلی خود در ارتباط با دور انداختن باتری را رعایت کنید.
10. باتری های یون لیتیم موجود مشمول الزامات قوانین کالاهای خطرناک می باشند.
11. هنگام دور انداختن کاربری شارژی، آنرا از ابزار خارج کرده و در مکانی امن دور بیندازید. قوانین و مقررات محلی خود در ارتباط با دور انداختن باتری را رعایت کنید.
12. باتری ها را فقط با دستگاه های مشخص شده توسط ماکیتا استفاده کنید.
13. اگر از ابزار برای مدت طولانی استفاده نمی شود، باید باتری را از ابزار خارج سازی.
14. کاربری شارژی باتری ممکن است در طول استفاده و بعد از آن گرم باشد و باعث سوختگی یا سوختگی های دما پایین شود.
15. درست بعد از استفاده نباید به پایانه ابزار دست بزنید چون می تواند آتقرد داغ باشد که باعث سوختگی شود.
16. اجازه ندهید تراشه ها، گرد و غبار یا خاک در پایانه ها، سوراخ ها و شیارهای کاربری شارژی جمع شوند. این امر می تواند باعث آفت عملکرد یا خرابی ابزار یا کاربری شارژی شود.
17. از کاربری شارژی در نزدیکی خطوط برق فشار قوی استفاده نکنید مگر اینکه ابزار قابلیت استفاده در مجاورت خطوط برق فشار قوی را داشته باشد.
18. باتری را از دسترس کودکان خارج سازی.

این راهنمایی ها را نگهداری کنید.

1. سربیس ابزار الکتریکی خود را به تعمیرکاران حرفه ای بسپارید و فقط از قطعات بدکی اصل استفاده کنید. توجه به این نکته تضمین کننده ایمنی ابزار الکتریکی شماست.
2. هرگز بسته های باتری آسیب دیده را سربیس نکنید. سربیس کردن بسته های باتری باید فقط توسط سازنده یا مراکز خدمات مجاز انجام شود.
3. راهنمایی های مربوط به روغن کاری و عوض کردن متعلقات را رعایت کنید.

هشدارهای ایمنی پمپ خلاء شارژی

1. این ابزار الکتریکی دستگاهی است که برای خالی کردن تجهیزات تبرید و تهویه هوا و مخازن بازیابی استفاده می شود. از آن برای منظورهای دیگر استفاده نکنید. انجام این کار می تواند منجر به بروز حوادث گردد.
2. همیشه باید ابزار الکتریکی را پیش از استفاده برای یافتن نشانه های نشت روغن باز کنید. عدم رعایت این امر ممکن است منجر به آتش سوزی شود.
3. برای فراهم شدن زمینه جهت کار ایمن و موثر باید سطح و کیفیت روغن (خراب شدن و غیره) را کنترل کنید.
4. در محیط های بسیار گرم یا سرد امکان دست یافتن به عملکرد مناسب وجود نخواهد داشت.

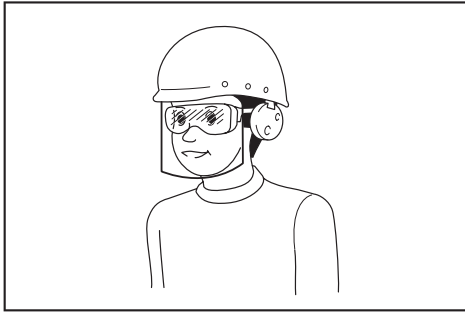
این راهنمایی ها را نگهداری کنید.

- هشدار:** اجازه ندهید سطح راحتی یا آشنایی با محصول (که پس از استفاده های مکرر پدید می آید) شما را از رعایت دقیق و همه جانبه قوانین ایمنی دستگاه مورد بحث باز بدارد.
- استفاده نادرست یا عدم رعایت قوانین ایمنی ذکر شده در این دفترچه راهنما می تواند به بروز جراثیم یا آتش سوزی منجر شود.

نکاتی برای به حداکثر رساندن عمر باتری

1. کاربری شارژی باتری را پیش از اینکه کاملاً تخلیه شود شارژ کنید. اگر متوجه افت توان ابزار شدید، همیشه باید کار با ابزار را متوقف کرده و کاربری شارژی را شارژ کنید.
2. هرگز یک کاربری شارژی باتری که شارژ کامل دارد را دوباره شارژ نکنید. شارژ بیش از حد عمر مفید باتری را کاهش می دهد.

2. از تماس بدنی با سطوح و قطعات دارای اتصال زمین مانند لوله، شوفان، اجاق برقی و یخچال خودداری کنید. اگر بدن شما با سطوح و قطعات دارای اتصال زمین تماس پیدا کند، خطر برق گرفتگی افزایش خواهد یافت.
3. ابزارهای الکتریکی را از باران و رطوبت دور نگهدارید. نفوذ آب به ابزار الکتریکی خطر برق گرفتگی را افزایش می دهد.
4. از سیم ابزار استفاده غیر معقول نکنید. هرگز از سیم ابزار برای کارهایی چون حمل ابزار، آویزان کردن آن و یا کشیدن دوشاخه از پریز استفاده نکنید. سیم ابزار را از گرما، روغن، لبه های تیز یا اجزا و بخشهای متحرک دور نگهدارید. سیم های آسیب دیده یا گره خورده خطر برق گرفتگی را افزایش می دهند.
5. در صورت کار با ابزار الکتریکی در محیط باز، از یک سیم رابط مناسب برای فضای باز استفاده کنید. استفاده از سیم رابط مناسب برای فضای باز خطر برق گرفتگی را کاهش خواهد داد.
6. اگر کار با ابزار الکتریکی در محیط مرطوب غیر قابل اجتناب است، از منبع تغذیه مجهز به کلید حفاظت در برابر جریان نشتی (RCD) استفاده کنید. استفاده از کلید حفاظت در برابر جریان نشتی (RCD) خطر برق گرفتگی را کاهش خواهد داد.
7. ابزارهای الکتریکی می توانند میدان های الکترومغناطیسی (EMF) تولید کنند که برای کاربر مضر نیستند. اما کاربران ضریبان سازه ها و سایر تجهیزات پزشکی مشابه باید پیش از کار با این ابزار الکتریکی با سازنده دستگاه و/یا پزشک خود تماس گرفته و راهنمایی بخواهند.



کارفرما مسئول است از اپراتورهای ابزار و افراد دیگری که در محل کار حضور دارند بخواهد که از تجهیزات ایمنی و محافظت مناسب استفاده کنند.

استفاده و نگهداری از ابزار الکتریکی

1. به ابزار الکتریکی فشار بیش از حد وارد نکنید. برای هر کار از ابزار الکتریکی مناسب برای آن استفاده کنید. اگر از ابزار الکتریکی مناسب با درجه بندی که برای آن طراحی شده است استفاده کنید، کار خیلی بهتر و با ایمنی بیشتر انجام خواهد شد.
2. اگر کلید قطع و وصل قادر به روشن و خاموش کردن ابزار نیست از ابزار الکتریکی استفاده نکنید. یک ابزار الکتریکی که با کلید قطع و وصل قابل کنترل نیست بسیار خطرناک بوده و باید تعمیر شود.
3. پیش از هرگونه تنظیم، عوض کردن متعلقات، یا کنار گذاشتن ابزارهای الکتریکی باید دوشاخه را از برق کشیده و/یا بسته باتری را در صورتی که قابل جدا شدن باشد، از ابزار الکتریکی جدا نمایید. رعایت این نکات پیشگانه ایمنی از روشن شدن ناخواسته و اتفاقی ابزار الکتریکی جلوگیری خواهد کرد.
4. اگر از ابزار الکتریکی استفاده نمی کنید آنرا دور از دسترس کودکان قرار دهید. اجازه ندهید افراد ناآشنا با ابزار الکتریکی و با افرادی که این دفترچه را خوانده اند یا نخوانده اند با ابزار الکتریکی کار کنند. کار کردن افراد ناوارد و بی تجربه با ابزارهای الکتریکی بسیار خطرناک است.
5. از ابزارهای الکتریکی و متعلقات بخوبی نگهداری کنید. دقت داشته باشید که بخش های متحرک هم تراز بوده و گیر نداشته باشند، ابزار را بررسی کنید تا مطمئن شوید هیچ قسمتی از آن نشکسته باشد و یا هیچ شرایط دیگری وجود نداشته باشد که بر کار ابزار الکتریکی تأثیر بگذارد. اگر ابزار الکتریکی آسیب دیده است باید قبل از استفاده آنرا تعمیر کنید. علت رخ دادن بسیاری از حوادث کاری، عدم نگهداری مناسب از ابزارهای الکتریکی است.
6. ابزارهای برش را تیز و تمیز نگهدارید. ابزارهای برش که بخوبی نگهداری شده اند و لبه های برش آنها تیز است، کمتر گیر می کنند و کنترل آنها آسان تر است.
7. هنگام کار با این ابزار الکتریکی، متعلقات، ابزارهایی که روی آن سوار می شود و غیره، را همانهایی های این دفترچه را دقیقاً رعایت کرده و شرایط محیط کار و نوع کار در دست انجام را مد نظر قرار دهید. استفاده کردن از ابزارهای الکتریکی در کارهایی که برای آن طراحی نشده اند می تواند بسیار خطرناک باشد.
8. دسته ها و سطوح دستگیره ها را خشک، تمیز و عاری از روغن و گریس نگه دارید. با دسته ها و سطوح دستگیره های لیزر نمی توان در شرایط غیرمنتظره بطور ایمن با ابزار کار کرد و کنترل آنها را داشت.
9. هنگام استفاده از ابزار از پوشیدن دستکش های پارچه ای خودداری کنید چون می توانند گیر کنند. گیر کردن دستکش های پارچه ای در قسمت های متحرک می تواند موجب جرحات شخصی گردد.

ایمنی شخصی

1. هویشار و دقیق باشید، به کار خود دقت کنید و با توجه و حواس جمعی کامل با ابزار الکتریکی کار کنید. اگر خسته هستید یا از مواد مخدر، مشروبات الکلی یا دارو استفاده کرده اید، نباید با یک ابزار الکتریکی کار کنید. یک لحظه غفلت و بی توجهی هنگام کار با ابزار الکتریکی می تواند سبب وارد آمدن جرحات های شدید شخصی شود.
2. از لوازم و تجهیزات ایمنی شخصی استفاده کنید. همیشه از عینک ایمنی استفاده کنید. استفاده از تجهیزات ایمنی مانند ماسک های گرد و غبار، کفش های ایمنی ضد لغزش، کلاه ایمنی یا گوشی ایمنی مناسب با نوع کار، خطر بروز جرحات های شخصی را کاهش خواهد داد.
3. مواظب باشید که ابزار الکتریکی بطور ناخواسته بکار نیفتد. قبل از زدن دوشاخه ابزار به پریز برق و/یا وصل کردن بسته باتری، برداشتن یا حمل ابزار باید همیشه دقت کنید که کلید قطع و وصل در وضعیت خاموش باشد. اگر هنگام حمل ابزار الکتریکی انگشت شما روی کلید قطع و وصل باشد یا ابزار را در حالت روشن به برق بزنید یا باتری به آن وصل کنید، بروز حادثه بسیار محتمل خواهد بود.
4. هرگونه ابزار تنظیم و یا آچار را پیش از روشن کردن ابزار الکتریکی از روی آن بردارید. اگر ابزار تنظیم یا آچاری روی بخشهای ابزار دوار ابزار الکتریکی باقی بماند می تواند ایجاد جرحات های شخصی کند.
5. پیش از اندازه بدن خود را نکشید تا به نقاط دورتر برسید. همیشه باید جایگاه و وضعیت مطمئن برای ایستادن انتخاب کرده و تعادل خود را حفظ کنید. به این ترتیب در شرایط غیر منتظره بهتر خواهید توانست ابزار الکتریکی را کنترل کنید.
6. لباس مناسب بپوشید. از پوشیدن لباسهای خیلی گشاد و یا استفاده از زیورالات خودداری کنید. مو و پوشاک خود را از بخشهای متحرک دور نگهدارید. امکان گیر کردن لباسهای خیلی گشاد، زیورالات و یا مو بلند در بخشهای متحرک ابزار وجود دارد.
7. اگر وسایل مکش و جمع آوری گرد و غبار ارانه شده باشند، باید مطمئن شوید که این وسایل وصل شده و بدرستی از آنها استفاده می شود. استفاده از وسایل جمع آوری گرد و غبار می تواند خطرات ناشی از گرد و غبار را کاهش دهد.
8. اجازه ندهید آشنایی و تسلط حاصل از استفاده مکرر از ابزارها باعث شود احساس نیاز به رعایت قواعد نکرده و به قوانین ایمنی ابزار از توجهی کنید. یک عمل از روی بی دقتی می تواند کسری از ثانیه موجب جرحات شدید شود.

مشخصات فنی

مدل:	DVP181
ولتاژ اسمی	18 V جریان مستقیم
پمپ	پمپ دوار دومرحله ای
جابجایی آزاد هوا	113 L/min
خلأ نهایی	3 Pa
ظرفیت روغن	300 ml
ورودی	5/16", 3/8" اتصال نری لب برگشته
ابعاد	(H) 210 mm × (W) 193 mm × (L) 383 mm
وزن خالص (با دو باتری BL1860B)	8.2 kg

- به دلیل اجرای برنامه مستمر تحقیقات و توسعه امکان دارد مشخصات فنی ذکر شده بدون اعلام قبلی تغییر یابند.
- مشخصات فنی و کارتریج باتری ممکن است بر حسب کشور محل عرضه محصول متفاوت باشد.
- وزن، با احتساب کارتریج باتری مطابق با روال EPTA شماره 01/2014 است

کارتریج باتری و شارژر قابل استفاده

کارتریج باتری	BL1860B(6.0 Ah) / BL1850B(5.0 Ah) / BL1840B(4.0 Ah) / BL1830B(3.0 Ah)
شارژر	DC18SH / DC18SF / DC18SE / DC18SD / DC18RE / DC18RD / DC18RC

- بعضی از کارتریج های باتری و شارژرهای ذکر شده در بالا ممکن است بسته به منطقه محل سکونت شما در دسترس نباشند.

⚠ هشدار: فقط از کارتریج های باتری و شارژرهای ذکر شده در بالا استفاده کنید. استفاده از هرگونه کارتریج باتری و شارژر دیگر می تواند باعث بروز جراحات و/یا آتش سوزی شود.

هشدار های ایمنی عمومی برای ابزارهای الکتریکی

⚠ هشدار: تمامی هشدارهای ایمنی، دستورالعمل ها، تصاویر و مشخصات فنی ارائه شده همراه با این ابزار الکتریکی را مطالعه کنید. در صورت عدم رعایت دستورالعمل های زیر خطر برق گرفتگی، آتش سوزی و/یا بروز جراحات های شدید وجود خواهد داشت.

همه هشدارها و راهنمایی ها را برای مراجعه آتی نگهداری کنید.

در این هشدارها عبارت «ابزار الکتریکی» به معنی ابزارهای الکتریکی فاقد باتری (با سیم برق) و یا ابزارهای الکتریکی باتری دار (شارژی) است.

ایمنی محل کار

1. محل کار باید کاملاً تمیز و دارای نور کافی و مناسب باشد. نامرتب بودن و یا کم نور بودن محیط کار احتمال بروز سوانح و حوادث را افزایش می دهد.
2. ابزار الکتریکی را در محیط هایی که حاوی مایعات، گازها یا غبارهای قابل اشتعال بوده و خطر انفجار دارند، بکار نبرید. ابزارهای الکتریکی در طول کار جرقه هایی تولید می کنند که می توانند غبارات یا بخارها را شعله ور سازد.
3. هنگام کار با یک ابزار الکتریکی، کسودگان و سایر افراد را از دستگاه دور نگاه دارید. اگر حواس شما پرت شود کنترل ابزار را از دست خواهید داد.

ایمنی الکتریکی

1. دوشاخه ابزار الکتریکی باید با پریز مطابقت داشته باشد. هرگز سعی نکنید دوشاخه را اصلاح کرده یا تغییری در آن بدهید. اگر ابزار الکتریکی دارای اتصال زمین است نباید از تبدیل دوشاخه استفاده کنید. با دوشاخه های اصل و دستکاری نشده و پریزهای مناسب، خطر برق گرفتگی کاهش داده می شود.

علامت و نشانه ها

در اینجا علائم و نشانه های بکار رفته برای این دستگاه را مشاهده خواهید کرد. پیش از استفاده باید حتماً از معنی آنها آگاه باشید.

- دفترچه راهنما را مطالعه کنید.



• هشدار: سطح داغ!

اطراف این علامت را لمس نکنید. لمس کردن سطح می تواند باعث سوختگی یا جراحات شود.



• فقط برای کشورهای عضو اتحادیه اروپا (EU)

به دلیل وجود اجزای خطرناک در این دستگاه، لوازم مستعمل الکتریکی و الکترونیکی، انباره ها و باتری ها می توانند بر محیط زیست و سلامتی انسانها اثر منفی داشته باشند.



لوازم الکتریکی و الکترونیکی یا باتری را همراه با ضایعات و زباله های خانگی دور نیندازید!

در تطابق با مصوبه اروپایی درباره لوازم مستعمل الکتریکی و الکترونیکی و انباره ها و باتری ها و انباره ها و باتری های مستعمل، و اجرای آنها با توجه به مقررات و قوانین کشوری، لوازم مستعمل الکتریکی و انباره ها و باتری ها و انباره ها و باتری های مستعمل باید جداگانه نگهداری شده و به یک محل جمع آوری مجزا برای ضایعات شهری که مطابق با قوانین و مقررات محافظت از محیط زیست کار می کند، تحویل شوند.

این موضوع با علامت سطل زباله چرخدار ضربدر خورده روی دستگاه مشخص گردیده است.

⚠ تنبيه: عند استخدام حزام الكتف:

- لا تستخدم حزام الكتف إذا كان الخطاف تالفاً أو مشوهاً.
- الخطافات مصممة للاستخدام مع حزام الكتف **Makita** فقط. لا تقم بتركيب أي ملحقات أخرى. قد يتسبب الاستخدام لغرض غير المقصود إلى وقوع حادث أو إصابة شخصية.
- حزام الكتف مصمم لحمل المضخة على كتفك. لا تستخدمه لأغراض أخرى مثل كتدبير مضاد للسقوط.
- لا تضع حمل مفرط على حزام الكتف. قد يؤدي القيام بذلك إلى تحطم حزام الكتف أو جزء التركيب وينسبب في إصابة شخصية.
- عند استخدام حزام الكتف، قم بتركيبه في الخطافات الموجودة على المقيض. تأكد من أن حزام الكتف مُركب بإحكام في الخطافات وامسك بمقبض المضخة عند حملها باستخدام حزام الكتف.

ملاحظة: بعض البنود الموجودة بالقائمة قد تكون مدرجة في عبوة المُعدة كملحقات قياسية. قد تختلف من دولة إلى دولة.

الصيانة

⚠تنبيه: تأكد دائماً من إيقاف تشغيل المضخة وإزالة خرطوشة البطارية قبل الشروع في إجراء الفحص أو الصيانة.

ملحوظة: لا تستخدم أبداً الجازولين، البنزين، الكحول أو ما شابهه. فقد ينتج عنها تغير اللون أو تشوه أو تشققات.

للمحافظة على سلامة وموثوقية المنتج، يجب إجراء الإصلاحات أو أي صيانة أخرى أو تعديل بواسطة مراكز خدمة المصنع أو تلك المعتمدة من شركة Makita، دائماً باستخدام قطع غيار Makita.

التحقق من الزيت

◀ شكل 7:

1. خط المستوى
 2. زجاج الفحص
- تحقق دائماً من مستوى الزيت وحالته (التدهور، وما إلى ذلك) قبل استخدام المضخة.

ملاحظة: أضف الزيت حتى يصبح مستوى الزيت بين خطي المستوى العلوي والسفلي لزجاج الفحص. تبلغ كمية الزيت 300 مل.

ملاحظة: مستوى الزيت مهم. إذا لم يكن بين خطي المستوى العلوي والسفلي، فيمكن أن يسبب عطل.

استبدال الزيت

◀ شكل 8:

1. صمام التصريف
1. قم بتشغيل المضخة لمدة 1 أو 2 دقيقة لتسخين الزيت.
 2. أوقف تشغيل المضخة.
 3. قم بإزالة صمام التصريف لتصريف الزيت.
 4. راجع «إضافة الزيت» وأضف زيت جديد.
- تخلص من الزيت القديم وفقاً للوائح المحلية.

ملاحظة: يوصى بتغيير الزيت بعد 20 ساعة من الاستخدام لحماية مكونات المضخة من الملوثات التي يتم سحبها إلى المضخة.

عند إجراء التفريغ في أنظمة التبريد القديمة، قم بتغيير الزيت بعد كل استخدام.

تنظيف المضخة

1. عندما يكون الزيت متسخ للغاية، استبدل الزيت ومن ثم قم بتشغيل المضخة لمدة 3 إلى 5 دقائق.
 2. قم بتصريف الزيت وأضف زيتاً جديداً.
- إذا كان الزيت الذي تم تصريفه مازال متسخاً، كرر عملية التنظيف هذه مرتين أو ثلاث مرات.

الملحقات الاختيارية

⚠تنبيه: ينصح بهذه الملحقات أو المرفقات للاستخدام مع وحدة Makita المحددة في هذا الدليل. قد يشكل استخدام أي ملحقات أو مرفقات أخرى خطراً لإصابة الأشخاص. استخدم الملحق أو المرفق فقط للغرض المذكور.

إذا كنت بحاجة لأي مساعدة للحصول على مزيد من التفاصيل بشأن هذه الملحقات، اطلب مركز خدمة Makita المحلي لديك.

- حزام الكف
- زيت مضخة التفريغ 300 مل
- خرطوم مضخة التفريغ
- صمام مضخة التفريغ مع مقياس
- بطاريات وشواحن Makita الأصلية

2. تأكد من إغلاق صمامات جانب الضغط المرتفع وجانب الضغط المنخفض للمشعب.
3. قم بتركيب البطاريات في المضخة. (راجع «تركيب أو إزالة خرطوشة البطارية» لمعرفة طريقة التركيب.)
4. افتح صمام توازن الغاز.
5. قم بتشغيل المضخة. يضيء مصباح LED (أحمر) ويعمل المحرك.
6. افتح صمام جانب الضغط المنخفض وصمام جانب الضغط المرتفع في المشعب.
7. أغلق صمام توازن الغاز بعد 5 إلى 10 دقائق.

ملاحظة: يستخدم صمام توازن الغاز لإزالة الماء (بخار) والغاز القابل للتكثف (المسحوب في المضخة أثناء العادم) من الزيت. إذا سال الغاز القابل للتكثف واختلط بالزيت، فيمكن أن يسبب قلة التزييت، ويقصر عمر الخدمة للمضخة ويمنع التسرب. عند دخول الهواء من صمام توازن الغاز، يبقى الغاز المكثف كما هو، ويتم تصريفه مع الهواء.

يوصى بتسخين المضخة قبل التشغيل لأنه كلما كانت درجة حرارة المضخة مرتفعة، كلما أمكن الحصول على كفاءة أعلى لتوازن الغاز.

8. عندما تصبح السعة المتبقية للبطارية (الموجودة في الفحة اليسرى) فارغة، يتغير مصدر الإمداد بالطاقة تلقائياً إلى البطارية (الموجودة في الفحة اليمنى). قم بإزالة البطارية L (اليسرى)، واستبدلها ببطارية احتياطية. عندما تصبح السعة المتبقية للبطارية R (اليمنى) فارغة، يتغير مصدر الإمداد بالطاقة إلى البطارية L (اليسرى) مرة أخرى. يمكن تشغيل المضخة لفترة طويلة عن طريق استخدام البطاريات الاحتياطية المشحونة بشكل متكرر من أجل R-L-R-L.

⚠تحذير: تصبح المضخة ساخنة أثناء التشغيل وبعد توقفها مباشرة. لا تلمس المنطقة المحيطة بالمضخة حينما تكون ساخنة. فقد يؤدي القيام بذلك إلى حروق أو حوادث أخرى.

ملاحظة: قد لا يعمل المحرك عندما يكون بارداً (5 درجة مئوية أو أقل). في تلك الحالات، أحضر المضخة للدخل ودعها تسخن.

9. عند الوصول إلى التفريغ المحدد (راجع الدليل المتوفر من قبل الشركة المصنعة لمكيف الهواء)، أغلق صمام جانب الضغط المنخفض للمشعب.
10. أوقف تشغيل المضخة.

اختبار إحكام الغلق

لا تكون هناك تسريبات إذا لم يرتفع ضغط المشعب لمدة 5 دقائق أو أكثر بعد ترك المضخة والمشعب.

ملاحظة: عندما تصبح السعة المتبقية للبطارية منخفضة، ينطفئ مصباح LED وفي نفس الوقت يبدأ إصدار صفير تنبيه طويل. بعد حوالي دقيقتان يتوقف المحرك. ومن ثم يتغير صفير التنبيه إلى صفير متكرر بفواصل زمنية قصيرة والذي يُنذر بتوقف المحرك بعد 30 ثانية يتوقف صوت الصفير. مع ذلك، لا تنتظر حتى يتوقف المحرك (أو يتغير صفير التنبيه إلى صفير قصير الزمن)، وبدلاً من ذلك أغلق صمام السحب الخاص بالمعدة وصمام جانب الضغط المنخفض الخاص بالمشعب.

تأكد من إيقاف تشغيل المضخة، وقم بإزالة البطارية، واشحنها أو استبدلها ببطارية احتياطية.

- راجع الجدول التالي لمعرفة أوقات التشغيل للبطارية.

أوقات التشغيل (استرشادية)

البطارية	أوقات التشغيل لكل قطعة
BL1860B	30 دقيقة
BL1850B	25 دقيقة
BL1840B	20 دقيقة
BL1830B	15 دقيقة

- بعد الانتهاء من العمل، قم بإزالة البطارية وتركيب الغطاء المرفق.

ملحوظة: عند نقل المعدة وتشغيلها وتخزينها، لا تضعها أبداً على جانبها أو مقولبة. قد يؤدي هذا إلى تسرب الزيت من غطاء فتحة تعبئة الزيت/التفوية.

◀ شكل 2:

1. المؤشر أحمر اللون
2. زر

3. خرطوشة البطارية

ملاحظة: اعتمادًا على ظروف الاستخدام ودرجة الحرارة المحيطة، قد يختلف المؤشر قليلاً عن السعة الفعلية.

ملاحظة: سيومض مصباح المؤشر الأول (أقصى اليسار) عندما يعمل نظام حماية البطارية.

لإزالة خرطوشة البطارية، قم بإزاحتها من المضخة أثناء إزاحة الزر الموجود في مقدمة الخرطوشة.

لتركيب خرطوشة البطارية، قم بمحاذاة اللسان الموجود على خرطوشة البطارية مع الأخدود الموجود في الهيكل وقم بإدخالها في مكانها. قم بتثبيتها بالكامل حتى تثبت في مكانها وتُصدر نغمة صغيرة. إذا كان بإمكانك رؤية المؤشر أحمر اللون على الجانب العلوي من الزر، فنكون غير متأكد بشكل كامل.

عملية التشغيل

لا تحتوي المضخة على زيت عند شرائها جديدة.
راجع «إضافة الزيت» وأضف الزيت.

⚠ تحذير: سيؤدي تشغيل المضخة في حالة عدم إضافة الزيت إلى تلف المضخة. علاوة على ذلك، سيصبح خزان الزيت ساخنًا وقد يؤدي إلى حروق أو حوادث أخرى.

⚠ تنبيه: قم دائمًا بتثبيت خرطوشة البطارية بالكامل حتى تتعذر رؤية المؤشر أحمر اللون. إذا لم يحدث ذلك، فقد تسقط بشكل غير مقصود من المضخة، مما يسبب إصابة لك أو لشخص من حولك.
⚠ تنبيه: لا تقم بتثبيت خرطوشة البطارية بالقوة. إذا لم تنزلق الخرطوشة للداخل بسهولة، فهذا يعني عدم إدخالها بشكل صحيح.

إضافة الزيت

◀ شكل 4:

1. غطاء تعبئة الزيت/العماد
2. خط المستوى
3. زجاج الفحص
4. خزان الزيت

1. قم بإزالة غطاء تعبئة الزيت/العماد وأضف الزيت المرفق عبر فتحة التعبئة.

ملحوظة: استخدم دائمًا زيت Makita الأصلي للحفاظ على أداء المضخة.

2. أضف الزيت حتى يصبح مستوى الزيت بين خطي المستوى العلوي والسفلي لزجاج الفحص.

ملحوظة: مستوى الزيت مهم. قد يؤدي تشغيل المضخة في حالة عدم وجود مستوى الزيت بين خطي المستوى العلوي والسفلي إلى تعطلها.

فحص الأداء

◀ شكل 5:

1. خرطوم الشحن (أصفر)
2. فتحة السحب
3. مضخة التفريغ
4. المشعب
5. صمام جانب الضغط المنخفض
6. مغلق

1. قم بتوصيل صمام جانب الضغط المنخفض للمشعب وفتحة السحب للمضخة باستخدام خرطوم شحن.

2. أغلق صمام جانب الضغط المنخفض للمشعب.

3. قم بتشغيل المضخة. إذا كان ضغط المشعب يشير إلى تفريغ قدره 0.09- إلى 0.1 ميغا باسكال خلال 30 ثانية، فهذا يعني أن المضخة تعمل بشكل صحيح.

4. أوقف تشغيل المضخة.

التشغيل

◀ شكل 6:

1. خرطوم الشحن (أصفر)
2. فتحة السحب
3. صمام توازن الغاز
4. مضخة التفريغ
5. مصباح LED
6. البطارية
7. خرطوم الشحن (أزرق)
8. منفذ الخدمة (جانب الضغط المنخفض)
9. الوحدة الخارجية
10. منفذ الخدمة (جانب الضغط المرتفع)
11. خرطوم الشحن (أحمر)
12. مغلق
13. صمام جانب الضغط المرتفع
14. المشعب
15. صمام جانب الضغط المنخفض
16. مغلق

1. قم بتوصيل المضخة، المشعب والوحدة الخارجية باستخدام الخرطوم.

ملاحظة: عندما يكون قياس منفذ الخدمة في الوحدة 1/4 بوصة، استخدم مهايئ القطر المختلف المرفق.

بيان سعة البطارية المتبقية

فقط لخرطيش البطارية المزودة بمؤشر

◀ شكل 3:

1. مصابيح المؤشر

2. زر التحقق

اضغط زر التحقق الموجود على خرطوشة البطارية لبيان سعة البطارية المتبقية. تضيء مصابيح المؤشر ليضع توان.

السعة المتبقية	مصابيح المؤشر		
	تومض	مطفأة	مضاءة
75% إلى 100%	■	■	■
50% إلى 75%	■	■	□
25% إلى 50%	■	□	□
0% إلى 25%	■	□	□
اشحن البطارية.	■	□	□
قد تكون البطارية معطلة.	■	□	□

7. اتبع جميع إرشادات الشحن ولا تشحن مجموعة البطارية أو الأداة خارج نطاق درجة الحرارة المحدد في الإرشادات؛ فالشحن بطريقة غير مناسبة أو في درجات حرارة خارج النطاق المحدد قد يتسبب في تلف البطارية وزيادة خطر اندلاع حريق.
- الخدمة
1. قم بصيانة الأداة الكهربائية لدى فني إصلاح مؤهل على ألا يكون ذلك إلا باستخدام قطع غيار أصلية مطابقة، وسيضمن ذلك الحفاظ على سلامة الأداة الكهربائية.
2. لا تقم أبدًا بصيانة مجموعات البطاريات التالفة؛ بل يتعين صيانتها بواسطة الشركة المصنعة أو موفر خدمة معتمدين.
3. اتبع الإرشادات المتعلقة بتزيت الملحقات وتغييرها.
14. أثناء وبعد الاستخدام، قد تكتسب خرطوشة البطارية حرارة والتي يمكن أن تتسبب في حروق أو حروق عند درجات حرارة منخفضة.
15. لا تلمس طرف التوصيل الخاص بالمعدة بعد الاستخدام مباشرة لأنه قد يصبح ساخنًا بما فيه الكفاية لإحداث حروق.
16. لا تدع المشطاي، الغبار، أو الأتربة تعلق في أطراف التوصيل، الثقوب، والأخاديد الخاصة بخرطوشة البطارية. فقد يؤدي ذلك إلى ضعف الأداء أو تعطل المعدّة أو خرطوشة البطارية.
17. ما لم تكن المعدّة تدعم الاستخدام بالقرب من خطوط الطاقة الكهربائية عالية الجهد، لا تستخدم خرطوشة البطارية بالقرب من خطوط الطاقة الكهربائية عالية الجهد.
18. احفظ البطارية بعيدًا عن الأطفال.

احتفظ بهذه التعليمات

⚠تنبيه: استخدم فقط بطاريات Makita الأصلية. قد يؤدي استخدام بطاريات Makita غير أصلية، أو بطاريات تم تعديلها، إلى انفجار البطارية مما يؤدي إلى نشوب حرائق، إصابة شخصية وضرب. سيؤدي هذا أيضًا إلى إلغاء ضمان Makita الخاص بمعدة وشاحن Makita.

نصائح للحفاظ على أقصى عمر للبطارية

1. اشحن خرطوشة البطارية قبل أن تفرغ تمامًا. دائمًا أو قف تشغيل المعدّة واشحن خرطوشة البطارية عند ملاحظة نقص قدرة المعدّة.
2. لا تعيد أبدًا شحن خرطوشة بطارية مشحونة بالكامل. يُقصر الشحن الزائد عمر الخدمة للبطارية.
3. اشحن خرطوشة البطارية في درجة حرارة الغرفة عند 10 درجة مئوية - 40 درجة مئوية. دع خرطوشة البطارية الساخنة تبرد قبل شحنها.
4. عند عدم استخدام خرطوشة البطارية، قم بإزالتها من المعدّة أو الشاحن.
5. اشحن خرطوشة البطارية إذا كنت لن تستخدمها لمدة طويلة (أكثر من ستة أشهر).

تحذيرات السلامة لمعدّة التفريغ الاسلاكية

1. المعدّة الآلية هي مكيّنة تستخدم لتفريغ معدات التبريد وتكييف الهواء وأوعية الاسترجاع. لا تستخدمها لتطبيقات أخرى. فقد يؤدي القيام بذلك إلى وقوع حوادث.
2. افحص المعدّة الآلية دائمًا بحثًا عن تسربات الزيت قبل الاستخدام. قد يؤدي الإخفاق في القيام بذلك إلى نشوب حريق.
3. تتحقق من مستوى الزيت وحالته (التدهور، وما إلى ذلك) لتمكين العمل الآمن والفعال.
4. قد لا يتم الحصول على الأداء الكافي في البيئات شديدة الحرارة أو البرودة.

احتفظ بهذه التعليمات

⚠تحذير: لا تجعل الراحة أو الألفة مع المنتج (المكتسبة من الاستخدام المتكرر) تحل محل الالتزام بالسلامة بقواعد السلامة لهذا المنتج. قد يؤدي سوء الاستخدام أو عدم اتباع قواعد السلامة المنصوص عليها في دليل التعليمات هذا إلى إصابة شخصية خطيرة.

تعليمات سلامة هامة لخرطوشة البطارية

1. قبل استخدام خرطوشة البطارية، اقرأ جميع التعليمات والعلامات التحذيرية الموجودة على (1) شاحن البطارية، (2) البطارية، و (3) المنتج الذي يستخدم البطارية.
2. لا تفكك خرطوشة البطارية.
3. إذا أصبح وقت التشغيل أقصر بشكل مفرط، توقف عن التشغيل فورًا. فإنه قد يؤدي إلى خطر السخونة المفرطة واحتمال حدوث حروق وحتى الانفجار.
4. إذا دخل الإلكترونيات في عينيك، اشطفها بماء نظيف والتمس الرعاية الطبية فورًا. فإنه قد يؤدي إلى فقدان البصر.
5. لا تقصر خرطوشة البطارية:

- (1) لا تلمس أطراف التوصيل بأي مادة موصلة.
- (2) تجنب تخزين خرطوشة البطارية في حاوية مع أشياء معدنية أخرى مثل المسامير، الصلعات المعدنية، وما إلى ذلك.
- (3) لا تعرّض خرطوشة البطارية للماء أو المطر.
- يمكن أن يتسبب قصر البطارية في تدفق كبير للتيار، سخونة مفرطة، احتمال حدوث حروق وحتى انهيار.
6. لا تخزن المعدّة وخرطوشة البطارية وتستخدمهما في أماكن قد تصل فيها درجة الحرارة أو تتعدى 50 درجة مئوية.
7. لا تحرق خرطوشة البطارية حتى لو كانت تالفة بشدة أو بالية تمامًا. يمكن أن تنفجر خرطوشة البطارية في النار.
8. احرص على عدم إسقاط أو ضرب البطارية.
9. لا تستخدم بطارية تالفة.
10. اتبع اللوائح المحلية لديك فيما يتعلق بالتخلص من البطارية.
11. تخضع بطاريات أيون الليثيوم المضمّنة لمتطلبات قانون البضائع الخطرة. عند التخلص من خرطوشة البطارية، قم بإزالتها من المعدّة وتخلص منها في مكان آمن. اتبع اللوائح المحلية لديك فيما يتعلق بالتخلص من البطارية.
12. استخدم البطاريات فقط مع المنتجات المحددة من قبل Makita.
13. في حالة عدم استخدام المعدّة لفترة طويلة من الوقت، تجنب إزالة البطارية من المعدّة.

وصف الأجزاء

◀ شكل 1:

1. فتحة السحب "3/8"
2. صمام توازن الغاز
3. غطاء تعبئة الزيت/الغلام
4. فتحة السحب "5/16"
5. زجاج الفحص
6. صمام التصريف
7. خزان الزيت
8. المنفلة حول المضخة
9. صمام كهرومغناطيسي
10. القاعدة
11. المحرك
12. مصباح LED
13. مفتاح الطاقة
14. وافي البطارية
15. حامل البطارية
16. البطارية (في الفتحة اليسرى)
17. البطارية (في الفتحة اليمنى)
18. مقبض
19. غطاء الأسلاك

الوصف الوظيفي

⚠تنبيه: تأكد دائمًا من إيقاف تشغيل المضخة وإزالة خرطوشة البطارية قبل تعديل أو فحص الوظيفة على المضخة.

تركيب أو إزالة خرطوشة البطارية

⚠تنبيه: قم دائمًا بإيقاف تشغيل المضخة قبل تركيب أو إزالة خرطوشة البطارية.

⚠تنبيه: امسك المضخة وخرطوشة البطارية بإحكام عند تركيب أو إزالة خرطوشة البطارية. قد يتسبب الإخفاق في إمساك المضخة وخرطوشة البطارية بإحكام في النزولهما من يديك ويؤدي إلى تلف المضخة وخرطوشة البطارية وإصابة شخصية.

يحمل صاحب العمل مسؤولية فرض استخدام أجهزة الوقاية على مشغلي الآداة وأي أشخاص آخرين في منطقة العمل القريبة.

استخدام الآداة الكهربائية والعناية بها

1. لا تعرض الآداة الكهربائية للضغط. استخدم الآداة الكهربائية المناسبة للغرض المطلوب. إذ يؤدي استخدام الآداة الكهربائية المناسبة إلى تنفيذ المهمة بصورة أفضل وأكثر أماناً، بالمستوى الذي صممت من أجله.
2. لا تستخدم الآداة الكهربائية إذا لم تستطع تشغيلها أو إيقافها باستخدام المفتاح. فأي أداة كهربائية لا يتم التحكم فيها من خلال المفتاح تمثل خطورة ويجب إصلاحها.
3. الفصل القابض الموصل من مصدر إمداد الطاقة و/أو أزل مجموعة البطارية من الآداة الكهربائية، إن كانت قابلة للفصل، قبل إجراء أي تعديلات أو تغييرات في ملحقات الآوات الكهربائية أو تخزينها؛ حيث تعمل إجراءات السلامة الوقائية هذه على الحد من خطورة بدء التشغيل غير المقصود للآداة الكهربائية.
4. خزن الآوات الكهربائية المتوقفة عن العمل بعيداً عن متناول الأطفال، ولا تسمح لغير المترسرين في التعامل مع الآداة الكهربائية أو الذين لم يطعموا على تلك الإرشادات بتشغيل الآداة الكهربائية. فالآوات الكهربائية تمثل خطورة عندما تقع في أيدي مستخدمين غير مدرّبين.
5. احرص على صيانة الآوات الكهربائية والملحقات. وافحص الآداة الكهربائية بحرص عن أي خطأ في محاداة الأجزاء المتحركة أو انتفائها، أو كسرها أو أية ظروف أخرى قد تؤثر على تشغيل الآداة الكهربائية. وفي حالة تلف الآداة الكهربائية، يجب إصلاحها قبل الاستخدام. إذ تحدث العديد من الحوادث بسبب ضعف صيانة الآوات الكهربائية.
6. احتفظ بآوات القطع حادة ونظيفة. تقلل احتمالية إنشاء أدوات القطع المزودة بحواف قطع حادة كما يسهل استعمالها، حال صيانتها بشكل ملائم.
7. استخدم الآداة الكهربائية والملحقات ولمع عدة القطع وغيرها، وفقاً لهذه الإرشادات مع الأخذ في الاعتبار ظروف العمل والعمل المطلوب تنفيذه. قد يؤدي استخدام الآداة الكهربائية لإجراء عمليات غير المعدة لها إلى تعرضك للخطر.
8. حافظ على الملابس وأسطح الإمساك جافة ونظيفة وخالية من الزيوت والشحم. فلو كانت المقابض وأسطح الإمساك زلقة فلن تتمكن من التعامل مع الآداة بشكل آمن والتحكم فيها بشكل جيد في المواقف غير المتوقعة.
9. عند استخدام الآداة، لا ترتد قفزات عمل فماشية قد تتشابك؛ حيث إن تشابكها مع الأجزاء المتحركة قد ينتج عنه إصابة جسدية.

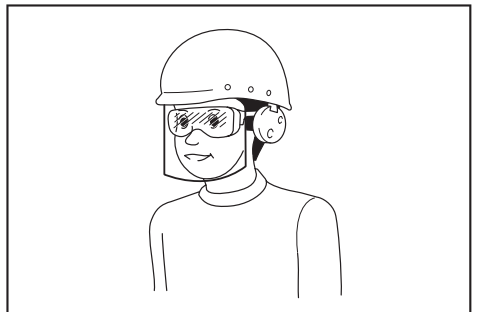
استعمال البطارية والعناية بها

1. لا تقم بإعادة الشحن إلا باستخدام الشاحن الذي حددته شركة التصنيع. فقد يؤدي استخدام شاحن مناسب لنوع معين من البطاريات مع بطارية أخرى إلى خطر نشوب الحريق.
2. لا تستخدم الآوات الكهربائية إلا مع حزم البطاريات المصنعة لها خصيصاً. فقد يؤدي استخدام حزم بطاريات أخرى إلى خطر وقوع إصابة أو نشوب حريق.
3. عند عدم استخدام حزمة البطارية، احتفظها بعيداً عن باقي الأجسام المعدنية مثل مشابك الورق أو العجلات أو المفاتيح أو المسامير أو البراغي أو أي أجسام معدنية صغيرة أخرى قد تنشئ وصلة من طرف إلى آخر. قد يؤدي حدوث قصر في أطراف توصيل البطارية إلى الإصابة بالحروق أو نشوب حريق.
4. قد يتدفق السائل من البطارية في حالة الاستعمال التصفي، وعندئذ تجنب ملامسته. إذا لامست هذا السائل دون قصد، فاشطف المنطقة المتأثرة بالماء، واطلب المساعدة الطبية أيضاً إذا لامس هذا السائل العينين. فقد يتسبب السائل المتسرب من البطارية في حدوث تهيج أو حروق.
5. لا تستخدم مجموعة بطارية أو أداة تالفة أو معطلة؛ فقد تُظهر البطاريات التالفة أو المعطلة سلوكاً غير متوقع ينتج عنه حريق أو انفجار أو التعرض للإصابة.
6. لا تعرض مجموعة البطارية أو الآداة لحريق أو حرارة مفرطة؛ حيث إن تعريض أي منهما لحريق أو درجة حرارة تزيد عن 130 درجة مئوية قد يتسبب في حدوث انفجار.

3. تجنب تعرض الآوات الكهربائية لظروف مطر أو بلل. إذ قد يزيد دخول المياه إلى الآداة الكهربائية من خطر حدوث صدمة كهربية.
4. لا تسن استخدام السلك. فلا تستخدمه مطلقاً في حمل الآداة الكهربائية أو سحبها أو فصل القابض الخاص بها. بل احفظه بعيداً عن الحرارة أو الزيت أو الحواف الحادة أو الأجزاء المتحركة. قد تزيد الأسلاك التالفة أو المتشابكة من خطر حدوث صدمة كهربية.
5. عند تشغيل الآداة الكهربائية خارج المباني، استخدم سلك تطويل ملائماً للاستخدام خارج المباني. حيث يقلل استعمال سلك ملائم للاستعمال خارج المباني من خطر حدوث صدمة كهربائية.
6. إذا اضطررت لتشغيل الآداة الكهربائية في موقع رطب، فاستخدم مصدر إمداد طاقة محمي بإداة التثبيت المتبقي. لأن استخدام أداة تعمل بالتثبيت المتبقي يقلل من خطر حدوث صدمة كهربية.
7. قد يتولد عن الآوات الكهربائية حقول كهرومغناطيسية (EMF) تلحق ضرراً بالمستخدم. ورغم ذلك يجب أن يستشير مستخدمو منظمات ضريبة القلب والأجهزة الطبية المشابهة الأخرى الجهة المصنعة و/أو الطبيب قبل تشغيل هذه الآداة الكهربائية.

السلامة الجسدية

1. كن يقظاً وراقب ما تفعل واستعن بقدرتك على التمييز عند تشغيل الآداة الكهربائية. ولا تستخدم الآداة الكهربائية عندما تكون مُتعباً أو تحت تأثير أي مخدر أو كحول أو دواء. فقد تؤدي غفلك للحظة واحدة أثناء تشغيل الآداة الكهربائية إلى التعرض لإصابة جسدية خطيرة.
2. استخدم معدات الوقاية الجسدية. وارتد دوماً واقياً للعينين. وثق أن معدات الوقاية كقفاز الغبار أو أحذية الأمان مانعة الانزلاق أو الخوذة أو سماعات الأذن الواقية المستعملة في الظروف الملائمة مستقل من التعرض للإصابات الجسدية.
3. تجنب بدء التشغيل غير المقصود. تأكد من أن المفتاح في وضع إيقاف التشغيل قبل التوصيل بمصدر الإمداد بالطاقة و/أو البطارية، وذلك عند رفع الآداة أو حملها. إذ قد يتسبب حمل الآوات الكهربائية مع وضع إصبعك على مفتاح التشغيل أو أثناء إمداد تلك الآوات بالطاقة في وقوع حوادث.
4. انزع أي مفتاح ضبط أو ربط قبل تشغيل الآداة الكهربائية. فقد تنتج إصابة جسدية عن ترك مفتاح الربط أو أي مفتاح آخر مرفقاً بالأجزاء الدوار من الآداة الكهربائية.
5. لا تمر فوق الآداة. احتفظ توازنك وقدميك في وضعية مناسبة طوال الوقت. حيث يتيح لك ذلك السيطرة على الآداة الكهربائية بصورة أفضل في المواقف غير المتوقعة.
6. ارتد ملابس مناسبة. تجنب ارتداء الملابس الواسعة أو الخلي. حافظ على إبعاد شعرك وملابسك عن الأجزاء المتحركة. فقد تعلق ملابسك الواسعة أو خليك أو الشعر الطويل بتلك الأجزاء المتحركة.
7. إذا كانت الأجهزة معدة للاتصال بوسائل استخراج الغبار وتجميعه، فتأكد من توصيلها بها واستخدامها بشكل ملائم. حيث يقلل تجميع الغبار من المخاطر التي قد تنتج بسببه.
8. لا تتجاهل قواعد السلامة ولا تعتمد على معرفتك بالآدوات نتيجة استعمالها بشكل متكرر أن تكون عوضاً عن الالتزام بها؛ فقد يتسبب الإهمال في التعرض لإصابة بالغة في جزء من الثانية.
9. احرص على ارتداء نظارات واقية لحماية العينين من الإصابة عند استخدام الآداة الكهربائية. ويجب أن تتوافق النظارات الواقية مع ANSI Z87.1 في الولايات المتحدة الأمريكية أو EN 166 في أوروبا أو AS/NZS 1336 في أستراليا/نيوزيلندا. في أستراليا/ نيوزيلندا، يلزم أيضاً قانونياً ارتداء درع وجه لحماية الوجه.



المواصفات

الموديل:	DVP181
الجهد المُقدَّر	تيار مستمر 18 فولت
المضخة	مضخة روحية ذات مرحلتين
إزاحة الهواء الحر	113 لتر/الدقيقة
ضغط الفراغ النهائي	3 باسكال
سعة الزيت	300 مل
مدخل السحب	طرف قايِس مُنْفَج 5/16 بوصة، 3/8 بوصة
الأبعاد	383 سم (طول) × 193 سم (عرض) × 210 سم (ارتفاع)
الوزن الصافي (مع البطاريّتان طراز BL1860B)	8.2 كجم

- نظرا لبرنامج البحث والتطوير المستمر لدينا، فالمواصفات الواردة هنا عُرضة للتغيير دون إشعار.
- قد تختلف المواصفات وخرطوشة البطارية من دولة إلى دولة.
- الوزن، مع خرطوشة البطارية، وفقاً لطريقة EPTA-Procedure 01/2014

خرطوشة البطارية والشاحن الملائمان

خرطوشة البطارية	BL1830B (3.0 أمبير بالساعة) / BL1840B (4.0 أمبير بالساعة) / BL1850B (5.0 أمبير بالساعة) / BL1860B (6.0 أمبير بالساعة)
الشاحن	DC18SH / DC18SF / DC18SE / DC18SD / DC18RE / DC18RD / DC18RC

- قد لا تتوفر بعض خراطيش البطارية والشواحن المذكورة أعلاه اعتماداً على منطقة إقامتك.

تحذير: استخدم فقط خراطيش البطاريات والشواحن المذكورة أعلاه. قد يؤدي استخدام أي خراطيش بطاريات وشواحن أخرى إلى إصابة و/أو حريق.

تحذيرات السلامة العامة عند استخدام الأداة الكهربائية

تحذير: اقرأ جميع تحذيرات السلامة والإرشادات والرسوم التوضيحية والمواصفات الواردة مع هذه الأداة الكهربائية. فقد يؤدي عدم اتباع الإرشادات المدرجة أدناه إلى التعرض لصدمة كهربائية و/أو نشوب حريق و/أو التعرض لإصابة خطيرة.

احتفظ بجميع التحذيرات والإرشادات للرجوع إليها مستقبلاً.

يشير مصطلح "أداة كهربائية" الوارد في التحذيرات إلى الأداة الكهربائية التي يتم تشغيلها من المصدر الرئيسي (بأسلاك) أو إلى الأداة الكهربائية التي تعمل ببطارية (بدون أسلاك).

السلامة في منطقة العمل

1. حافظ على منطقة العمل نظيفة وجيدة الإضاءة. فالمناطق غير المرتبّة والمظلمة أكثر عرضة لوقوع الحوادث.
2. تجنب تشغيل الأدوات الكهربائية في محيط قابل للاشتعال، كالتشغيل في محيط يحتوي على سوائل أو غازات أو غبار قابل للاشتعال. حيث ينبعث من الأدوات الكهربائية شرر قد يؤدي إلى إشعال الغبار أو الأبخرة.
3. يجب أن يتبعد الأطفال والمتفرجون عند تشغيل أداة كهربائية. فقد يؤدي تشتت الذهن إلى فقد السيطرة.

السلامة من الكهرباء

1. يجب أن تكون قوايس الأداة الكهربائية مناسبة لمأخذ التيار. لا تعدل القايِس مطلقاً بأية وسيلة. ولا تستخدم أية قوايس مهبّات مع الأدوات الكهربائية المورّضة. إذ تقلل القوايس غير المعدلة ومأخذ التيار المطابقة من خطر التعرض لصدمة كهربائية.
2. تجنب ملامسة الجسم للأسطح المورّضة مثل الأثاييب والرادياتير والموائد والثلاجات. حيث تزيد خطورة التعرض لصدمة كهربائية إذا كان جسمك ملامساً للأرضية.

الرموز

يوضح التالي الرموز المستخدمة للمعدات. تأكد من أنك تفهم معناها قبل استخدامها.

- اقرأ دليل التعليمات.



- تحذير: سطح ساخن!

لا تلمس حول هذا الرمز.

قد تسبب ملامسة السطح في حدوث حروق أو أضرار.

- خاص ببول الاتحاد الأوروبي فقط

بسبب وجود مكونات خطيرة في المعدات، قد يكون لنفايات المعدات الكهربائية والإلكترونية والمراكمات والبطاريات تأثير سلبي على البيئة وصحة الإنسان.

ولا تتخلص من الأجهزة الكهربائية والإلكترونية أو البطاريات مع النفايات المنزلية!

ووفقاً للتوجيه الأوروبي حول نفايات المعدات الكهربائية والإلكترونية والمراكمات والبطاريات وتوافقها مع القانون الوطني، يجب تجميع نفايات المعدات الكهربائية والإلكترونية والبطاريات والمراكمات على نحو منفصل وتسليمها إلى نقطة تجميع نفايات البلدية، التي تعمل وفقاً للوائح حماية البيئة.

ويشار إلى هذا برمز سلة ذات عجلات عليها علامة x موضوعة على المعدات.



Makita Corporation
3-11-8, Sumiyoshi-cho,
Anjo, Aichi 446-8502 Japan
www.makita.com

DVP181-10L(NON-CE)-2012
EN, ID, MS, VI, TH, ZHCN, ZHTW,
KO, FA, AR
20150824