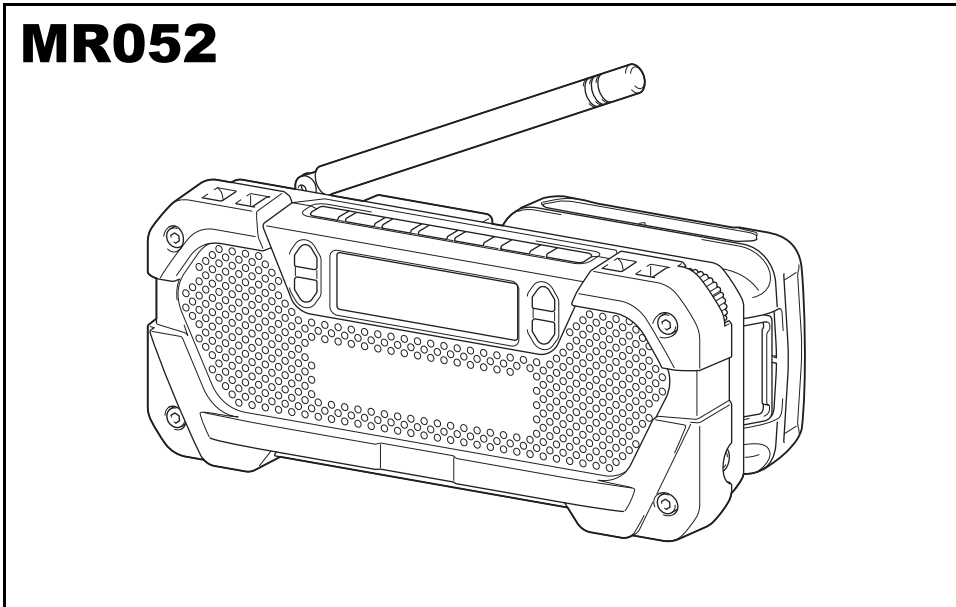
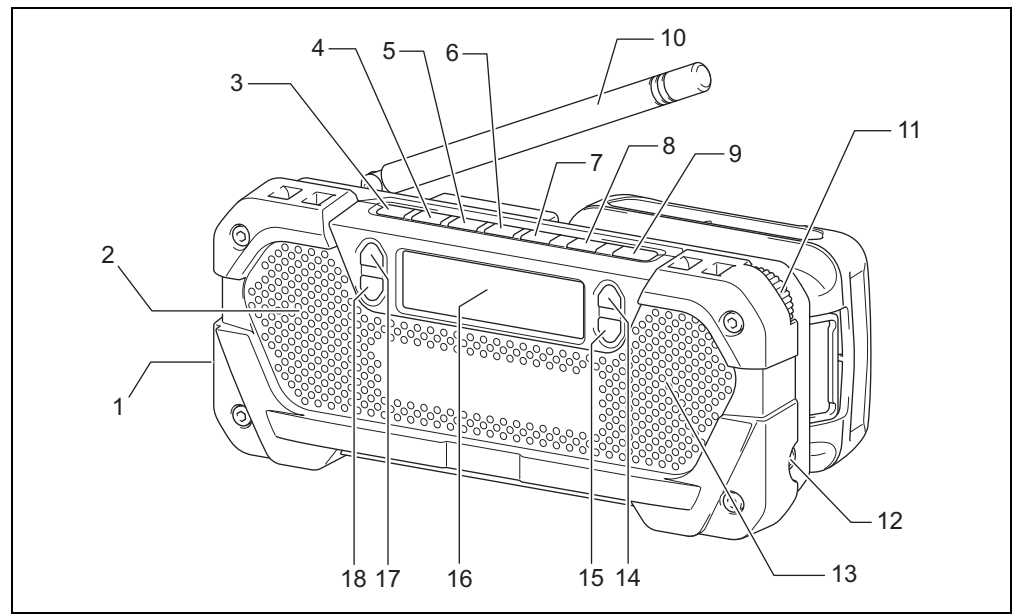


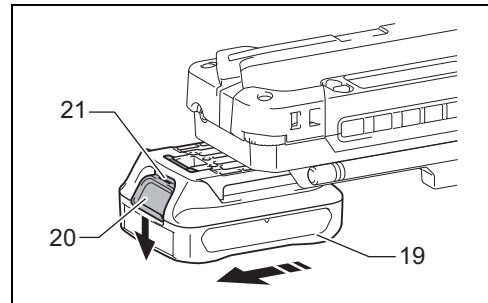


EN	Job Site Radio	Instruction manual
FRCA	Radio de chantier	Manuel d'instructions
ESMX	Radio de Trabajo	Manual de instrucciones
PTBR	Rádio a Bateria	Manual de Instruções

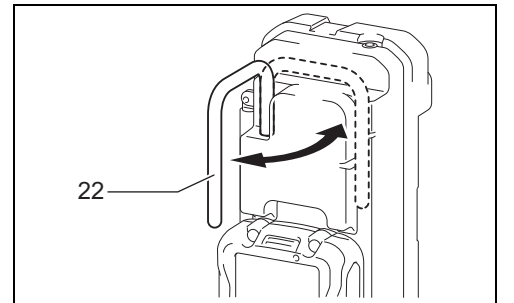


Read Before Using.
Lisez les instructions avant l'utilisation.
Leer antes de usar.
Leia antes de usar.

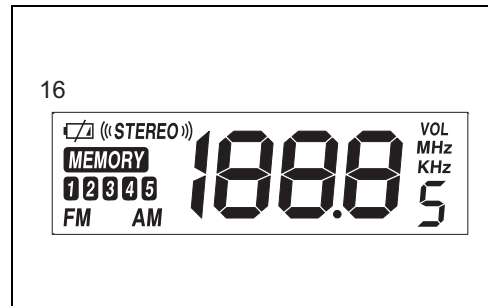
1



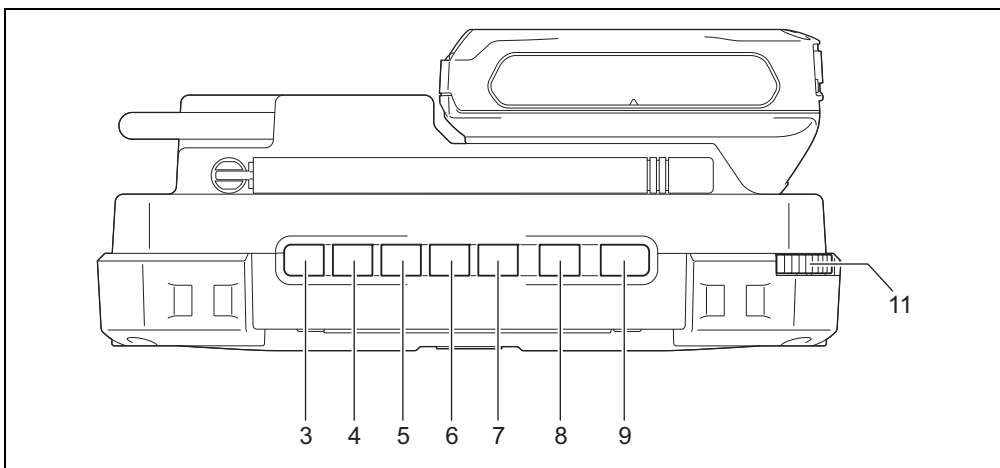
2



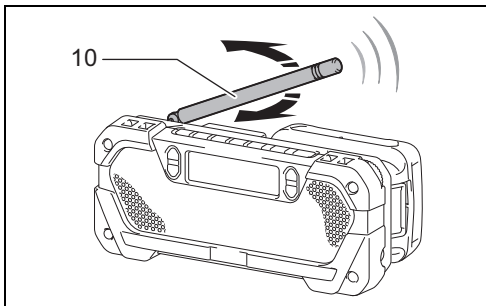
3



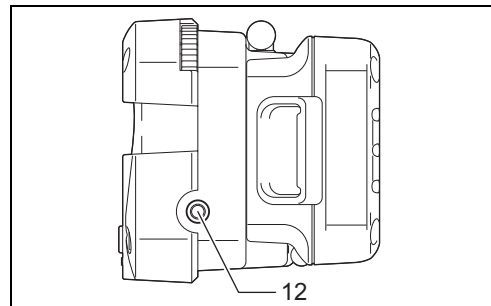
4



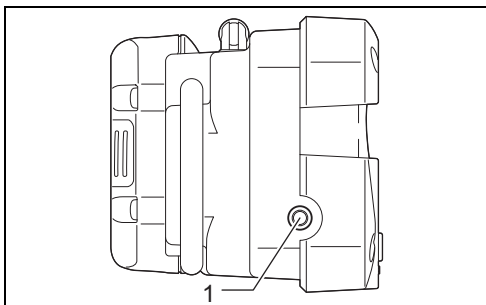
5



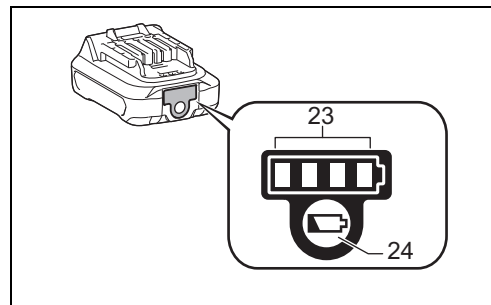
6



7



8



9

Makita Corporation
3-11-8, Sumiyoshi-cho,
Anjo, Aichi 446-8502 Japan

ENGLISH (Original instructions)

LOCATION OF CONTROLS

Explanation of general view

1. AUXILIARY INPUT JACK	9. POWER	17. SEARCH UP
2. LEFT LOUDSPEAKER	10. ROD ANTENNA	18. SEARCH DOWN
3. PRESET MEMORY 1	11. TUNING KNOB	19. Battery cartridge
4. PRESET MEMORY 2	12. EARPHONE JACK	20. Button
5. PRESET MEMORY 3	13. RIGHT LOUDSPEAKER	21. Red indicator
6. PRESET MEMORY 4	14. VOLUME UP	22. Hook
7. PRESET MEMORY 5	15. VOLUME DOWN	23. Indicator lamps
8. BAND	16. LCD DISPLAY	24. Check button

Symbols

The following show the symbols used for the equipment. Be sure that you understand their meaning before use.



..... Read instruction manual.



..... Always recycle batteries

Li-ion

IMPORTANT SAFETY INSTRUCTIONS

⚠ WARNING:

When using electric tools, basic safety precautions should always be followed to reduce the risk of fire, electric shock, and personal injury, including the following:

- Read this instruction manual and the charger instruction manual carefully before use.
- Clean only with dry cloth.
- Do not block any ventilation opening. Install in accordance with the manufacturer's instruction.
- Do not install near any heat sources such as radiators, heat registers, stoves, or other apparatus (including amplifiers) that produce heat.
- Only use attachments/accessories specified by the manufacturer.
- Unplug this apparatus during lightning storms or when unused for long periods of time.
- A battery operated radio with integral batteries or a separate battery pack must be recharged only with the specified charger for the battery. A charger that may be suitable for one type of battery may create a risk of fire when used with another battery.
- Use battery operated radio only with specifically designated battery packs. Use of any other batteries may create a risk of fire.
- When battery pack is not in use, keep it away from other metal objects like: paper clips, coins, keys, nails, screws, or other small metal objects that can make a connection from one terminal to another. Shorting the battery terminals together may cause sparks, burns, or a fire.
- Avoid body contact with grounded surfaces such as pipes, radiators, ranges and refrigerators. There is an increased risk of electric shock if your body is grounded.
- Use with charger Model DC10WD or DC10SB.
- WARNING:** To reduce the risk of fire or electric shock, do not expose this apparatus to rain or moisture and objects filled with liquids, such as vases, should not be placed on this apparatus.
- TO COMPLETELY DISCONNECT THIS APPARATUS FROM THE AC MAINS, DISCONNECT THE POWER SUPPLY CORD PLUG FROM THE AC RECEPTACLE.**
- THE MAINS PLUG OF THE POWER SUPPLY CORD SHALL REMAIN READILY ACCESSIBLE.**
- WARNING:** DO NOT EXPOSE BATTERIES OR BATTERY PACK TO EXCESSIVE HEAT SUCH AS SUNSHINE, FIRE OR THE LIKE.
- CAUTION:** DANGER OF EXPLOSION IF BATTERY IS INCORRECTLY REPLACED. REPLACE ONLY WITH MAKITA BATTERY MODEL BL1014.



The Lightning Flash with arrowhead symbol within an equilateral triangle, is intended to alert the user to the presence of uninsulated "dangerous voltage" within the product enclosure that may be of sufficient magnitude to constitute a risk of shock to persons.



The exclamation point within an equilateral triangle is intended to alert the users to the presence of important operating and maintenance (servicing) instructions in the literature accompanying the product.

IMPORTANT SAFETY INSTRUCTIONS

- Read these instructions.
- Keep these instructions.
- Heed all warnings.
- Follow all instructions.
- Do not use this apparatus near water.
- Clean only with dry cloth.
- Do not block any ventilation openings. Install in accordance with the manufacturer's instructions.
- Do not install near any heat sources such as radiators, heat registers, stoves, or other apparatus (including amplifiers) that produce heat.
- Do not defeat the safety purpose of the polarized or grounding-type plug. A polarized plug has two blades with one wider than the other. A grounding type plug has two blades and a third grounding prong. The wide blade or the third prong are provided for your safety. If the provided plug does not fit into your outlet, consult an electrician for replacement of the obsolete outlet.
- Protect the power cord from being walked on or pinched particularly at plugs, convenience receptacles, and the point where they exit from the apparatus.
- Only use attachments/accessories specified by the manufacturer.
- Use only with the cart, stand, tripod, bracket, or table specified by the manufacture, or sold with the apparatus. When a cart is used, use caution when moving the cart/apparatus combination to avoid injury from tip-over (and Tipping Cart Symbol).



1

General Specification

Item	Standard	
Applicable Battery Type	BL1016, BL1021B, BL1041B	
Power Source	DC 10.8 V - 12 V max	
Current Consumption	450 mA max	
Tuning Frequency Range	AM	520 to 1,710 KHz 10 KHz Step
	FM	87.5 to 108 MHz 0.05 MHz Step (manual), 0.1 MHz Step (automatic)
No. of Preset Memory	AM	5
	FM	5
Speaker Output Power per channel	1.2 W max	
Earphone Output Power per channel	20 mW max	
AUX Input	Impedance 22 K ohm 150 mVrms (L&R channel)	
AM Antenna	Ferrite bar ø10 mm x 60 mm (3/8" x 2-3/8")	
FM Rod Antenna	(L) 110 mm (4-5/16")	
Speaker	ø36 mm 16 ohm 2 W, 2 pieces	
LCD Display	TN type, view area 55 mm x 16 mm (2-3/16" x 5/8")	
LCD Backlight	White color LED; light up for 20 seconds if any keys is pressed or tuning knob is tuned	
Applicable Environment	Indoor use	
Operating Time (At speaker output = 50 mW + 50 mW) (Approximately)	With BL1016	11 hours
	With BL1021B	15 hours
	With BL1041B	30 hours
Dimensions (L x W x H)	Without battery	169 mm x 58 mm x 74 mm (6-5/8" X 2-1/4" x 2-15/16")
	With BL1016, BL1021B	169 mm x 73 mm x 74 mm (6-5/8" X 2-7/8" x 2-15/16")
	With BL1041B	169 mm x 92 mm x 74 mm (6-5/8" X 3-5/8" x 2-15/16")
Net Weight	Without battery	0.35 kg (0.8 lbs)
	With BL1016, BL1021B	0.56 kg (1.2 lbs)
	With BL1041B	0.72 kg (1.6 lbs)

Note:
Table regarding to the battery operating time above is for reference. The actual operating time may differ with charging condition, or usage environment.

FUNCTIONAL DESCRIPTION

Installing or removing battery cartridge (Fig. 2)

⚠ CAUTION: Always switch off the radio before installing or removing of the battery cartridge.

⚠ CAUTION: Hold the radio and the battery cartridge firmly when installing or removing battery cartridge. Failure to hold the radio and the battery cartridge firmly may cause them to slip off your hands and result in damage to the radio and battery cartridge and a personal injury.

To remove the battery cartridge (19), slide it from the radio while sliding the button (20) on the front of the cartridge. To install the battery cartridge, align the tongue on the battery cartridge with the groove in the housing and slip it into place. Insert it all the way until it locks in place with a little click. If you can see the red indicator (21) on the upper side of the button, it is not locked completely.

⚠ CAUTION: Always install the battery cartridge fully until the red indicator cannot be seen. If not, it may accidentally fall out of the radio, causing injury to you or someone around you.

3

- Unplug this apparatus during lightning storms or when unused for long periods of time.
- Refer all servicing to qualified service personnel.
Servicing is required when the apparatus has been damaged in any way, such as power-supply cord or plug is damaged, liquid has been spilled or objects have fallen into the apparatus, the apparatus has been exposed to rain or moisture, does not operate normally, or has been dropped.
- If Service Instruction in Owner's Manual: "CAUTION - THESE SERVICING INSTRUCTIONS ARE FOR USE BY QUALIFIED SERVICE PERSONNEL ONLY. TO REDUCE THE RISK OF ELECTRIC SHOCK DO NOT PERFORM ANY SERVICING OTHER THAN THAT CONTAINED IN THE OPERATING INSTRUCTIONS UNLESS YOU ARE QUALIFIED TO DO SO".
- The apparatus shall not be exposed to dripping or splashing and that no objects filled with liquid, such as vases, shall be placed on the apparatus.

SAVE THESE INSTRUCTIONS.

Important safety instructions for battery cartridge

- Before using battery cartridge, read all instructions and cautionary markings on battery charger, battery, and product using battery.
- Do not disassemble battery cartridge.
- If operating time has become excessively shorter, stop operating immediately. It may result in a risk of overheating, possible burns and even an explosion.
- If electrolyte gets into your eyes, rinse them out with clear water and seek medical attention right away. It may result in loss of your eyesight.
- Do not short the battery cartridge:
 - Do not touch the terminals with any conductive material.
 - Avoid storing battery cartridge in a container with other metal objects such as nails, coins, etc.
 - Do not expose battery cartridge to water or rain.
 A battery short can cause a large current flow, overheating, possible burns and even a breakdown.
- Do not store the tool and battery cartridge in locations where the temperature may reach or exceed 50 °C (122 °F).
- Do not incinerate the battery cartridge even if it is severely damaged or is completely worn out.
The battery cartridge can explode in a fire.
- Be careful not to drop or strike battery.
- Do not use a damaged battery.
- Follow your local regulations relating to disposal of battery.

SAVE THESE INSTRUCTIONS.

⚠ CAUTION:

Only use genuine Makita batteries. Use of non-genuine Makita batteries, or batteries that have been altered, may result in the battery bursting causing fires, personal injury and damage. It will also void the Makita warranty for the Makita tool and charger.

Tips for maintaining maximum battery life

- Charge the battery cartridge before completely discharged. Always stop tool operation and charge the battery cartridge when you notice less tool power.
- Never recharge a fully charged battery cartridge. Overcharging shortens the battery service life.
- Charge the battery cartridge with room temperature at 10 °C - 40 °C (50 °F - 104 °F). Let a hot battery cartridge cool down before charging it.

FC Cautions to the user

The changes or modifications not expressly approved by the party responsible for compliance could void the user's authority to operate the equipment.

The equipment has been tested and found to comply with the limits for a Class B Digital Device, pursuant to part 15 of the FCC Rules. These limits are designed to provide reasonable protection against harmful interference in a residential installation. This equipment generates, uses and can radiate radio frequency energy and, if not installed and used in accordance with the instruction, may cause harmful interference to radio communication. However, there is no guarantee that interference will not occur in a particular installation. If this equipment does cause harmful interference to radio or television reception, which can be determined by turning the equipment off and on, the user is encouraged to try to correct the interference by one or more of the following measures:

- Reorient or relocate the receiving antenna.
- Increase the separation between the equipment and receiver.
- Connect the equipment into an outlet on a circuit different from that to which the receiver is connected.
- Consult the dealer or an experienced radio/ TV technician for help.

This device complies with part 15 of the FCC Rules.

Operation is subject to the following two conditions:

- This device may not cause harmful interference, and
- this device must accept any interference received, including interference that may cause undesired operation.

ICES-003 STANDARD : CAN ICES-3(B)/NMB-3(B)

Features:

- | | |
|--|---|
| 1) Digital Tuning AM/FM Stereo Receiver | 10) Earphones Jack |
| 2) LCD Display with white color backlight | 11) Auxiliary Input Jack |
| 3) Power On/Off Switch | 12) FM Rod Antenna |
| 4) Band Selector (AM/FM) | 13) Built-in AM Antenna |
| 5) Automatic Broadcasting Searching (Search Up/Down) | 14) Operated by 12 V max (10.8 V) Rechargeable Li-ion battery cartridge |
| 6) Digital Volume Control (Volume Up/Down) | 15) Low Battery Indication |
| 7) Preset Memories (5 for AM, 5 for FM) | 16) Low Battery Protection |
| 8) Rotary Tuning Knob | 17) Accessories: Shoulder Strap |
| 9) Loudspeaker ø36 mm 2 pcs | |

2

⚠ CAUTION: Do not install the battery cartridge forcibly. If the cartridge does not slide in easily, it is not being inserted correctly.

Hook (Fig. 3)

The hook (22) is convenient for hanging the Cordless Radio temporarily.

OPERATION

HOW TO LISTEN RADIO BROADCASTING

- Press POWER (9) button to switch on the radio unit. (Fig. 1 & 5) The receiving frequency is shown on LCD DISPLAY (16). (Fig. 1 & 4)
- Press BAND (8) button to select FM or AM band. (Fig. 1)
- For FM broadcasting listening, rotate the direction of ROD ANTENNA (10) to have a better performance of reception. For AM broadcasting listening, as the AM antenna is built-in the radio, rotate the direction of radio unit to get a better performance of reception. (Fig. 1 & 6)
- For manual tuning, press SEARCH UP (17) or SEARCH DOWN (18) button once to tune up or tune down the receiving frequency by one step, or rotate the TUNING KNOB (11) to have a faster tune up/down. (Fig. 1 & 5)
- For automatic tuning, press and hold the SEARCH UP (17) or SEARCH DOWN (18) button for 3 seconds, the receiving frequency increases or decreases by one step automatically. When broadcasting is received, the searching stops 5 seconds for short listening and then restart searching. If you want to listen the broadcasting, press any buttons (except for power button) once to stop searching. (Fig. 1)
- In FM band, if stereo broadcasting is received, the "STEREO" icon is displayed. Under poor reception circumstance, to reduce the reception noise by switching off the stereo function. Press and hold the BAND (8) button for 3 seconds to enter FM Stereo setting mode. Then press BAND (8) button again to switch "Stereo On" or "Stereo Off". (Fig. 1 & 4)
- Press VOLUME UP (14) or VOLUME DOWN (15) button to adjust the sound level. (Fig. 1)
- To listen to the radio by earphones (not included), plug a diameter 3.5 mm earphone's plug into EARPHONE JACK (12) completely. The built-in speakers are disconnected automatically and no sound is output. (Fig. 1 & 7)
- When the battery is soon used up, low battery indicator appears on the LCD DISPLAY (16). (Fig. 4)
- To turn off the radio, press POWER (9) button once. (Fig. 1 & 5)
- The radio unit integrates with memory IC, all settings (volume level, last receiving frequency and preset memories) are saved automatically before the battery is removed.

HOW TO STORE THE PRESET MEMORY

- Choose the receiving frequency that to be stored.
- Press and hold one of the PRESET MEMORY (3) - (7) buttons for 3 seconds, the chosen frequency is stored into that memory location. The "MEMORY" icon and the chosen memory location no. are shown on the display. (Fig. 1 & 4)
- There are 5 preset memories location for each AM and FM band.
- To recall the preset memory, simply press one of the PRESET MEMORY buttons once.

HOW TO PLAY MUSIC THROUGH AUXILIARY JACK

- Press POWER (9) button to switch on the radio unit. (Fig. 1 & 5)
- Prepare an audio signal cable (not included), both ends with diameter 3.5 mm stereo plug.
- One end of cable is plugged into the earphone jack of your play device, another end is inserted into the AUXILIARY INPUT JACK (1) of the radio unit. (Fig. 1 & 8)
- When the jack is plugged, the letters "AU" are displayed on LCD DISPLAY (16) and the radio unit switches to AUX mode automatically.
- Adjust the volume of play device and the volume control of the radio unit for a suitable output sound level.

Indicating the remaining battery capacity (Fig. 9)

Only for battery cartridges with "B" at the end of the model number

Press the check button (24) on the battery cartridge to indicate the remaining battery capacity. The indicator lamps (23) light up for few seconds.

Indicator lamps		Remaining capacity
Lighted	Off	
■ ■ ■ ■	□	75% to 100%
■ ■ ■ □	□	50% to 75%
■ ■ □ □	□	25% to 50%
■ □ □ □	□	0% to 25%

NOTE: Depending on the conditions of use and the ambient temperature, the indication may differ slightly from the actual capacity.

4

FRANÇAIS (Manuel d'instructions)

EMPLACEMENT DES COMMANDES

Explication de la vue générale

1. PRISE D'ENTRÉE AUXILIAIRE	9. ALIMENTATION	17. RECHERCHER VERS LE HAUT
2. HAUT-PARLEUR GAUCHE	10. ANTENNE TIGE	18. RECHERCHER VERS LE BAS
3. MÉMOIRE PRÉRÉGLÉE 1	11. BOUTON DE RÉGLAGE	19. Batterie
4. MÉMOIRE PRÉRÉGLÉE 2	12. PRISE ÉCOUTEUR	20. Bouton
5. MÉMOIRE PRÉRÉGLÉE 3	13. HAUT-PARLEUR DROIT	21. Indicateur rouge
6. MÉMOIRE PRÉRÉGLÉE 4	14. AUGMENTER LE VOLUME	22. Crochet
7. MÉMOIRE PRÉRÉGLÉE 5	15. BAISSER LE VOLUME	23. Témoins
8. FRÉQUENCE	16. ÉCRAN LCD	24. Bouton de vérification

Pictogrammes

Les pictogrammes utilisés pour l'équipement sont indiqués ci-dessous. Vous devez en avoir compris le sens avant l'utilisation.

 Lisez le manuel d'instructions.

 Recyclez toujours les batteries


Li-ion


CONSIGNES DE SÉCURITÉ IMPORTANTES

⚠ AVERTISSEMENT :

Lors de l'utilisation d'outils électriques, il faut toujours prendre des précautions élémentaires de sécurité, dont les suivantes, pour réduire les risques d'incendie, de décharge électrique et de blessure:

- Lisez attentivement ce manuel d'instructions et celui du chargeur avant l'utilisation.
- Nettoyez uniquement avec un chiffon sec.
- Ne bloquez aucun orifice de ventilation. Installez conformément aux instructions du fabricant.
- N'installez pas l'appareil près de sources de chaleur telles que des radiateurs, des grilles de chauffage, des fourneaux ou tout autre appareil (y compris des amplificateurs) produisant de la chaleur.
- N'utilisez que les accessoires spécifiés par le fabricant.
- Débranchez cet appareil en cas d'orages ou si vous ne l'utilisez pas pendant des périodes prolongées.
- Une radio alimentée par une batterie avec des batteries intégrées ou un bloc-batterie distinct ne doit être rechargée qu'avec le chargeur spécifié pour la batterie. Un chargeur conçu pour un certain type de batterie risque de déclencher un incendie s'il est utilisé avec une autre batterie.
- N'utilisez la radio alimentée par batterie qu'avec des blocs-batteries spécifiques. D'autres batteries risqueraient de vous blesser ou de provoquer un incendie.
- Lorsque le bloc-batterie n'est pas utilisé, tenez-le à distance des objets métalliques tels que : trombones, pièces de monnaie, clés, clous, vis ou autres petits objets métalliques, conducteurs potentiels entre une borne et une autre. Un court-circuit entre les bornes de la batterie peut provoquer des étincelles, des brûlures ou un incendie.
- Évitez de toucher des surfaces mises à la terre telles que tuyaux, radiateurs, cuisinières et réfrigérateurs. Ce faisant, vous vous exposeriez à un choc électrique.
- Utilisez le chargeur Modèle DC10WD ou DC10SB.
- AVERTISSEMENT :** Pour réduire le risque de feu ou de choc électrique, n'exposez pas cet appareil à la pluie ou à l'humidité. De plus, ne placez pas d'objets remplis de liquide, tels que des vases, sur l'appareil.
- POUR DÉCONNECTER COMPLÈTEMENT L'APPAREIL DE LA PRISE SECTEUR, DÉBRANCHEZ LE CORDON D'ALIMENTATION DE LA PRISE SECTEUR.**
- LA PRISE SECTEUR DU CORDON D'ALIMENTATION DOIT RESTER À PORTÉE DE MAIN.
- AVERTISSEMENT :** N'EXPOSEZ PAS LES BATTERIES OU LE BLOC-BATTERIE À UNE CHALEUR EXCESSIVE, COMME LE SOLEIL, UN FEU, ETC.
- ATTENTION :** IL EXISTE UN DANGER D'EXPLOSION SI LA BATTERIE EST REMPLACÉE PAR UNE MAUVAISE BATTERIE. REMPLACEZ UNIQUEMENT PAR UNE BATTERIE MAKITA MODÈLE BL1014.

 Le triangle équilatéral contenant un éclair terminé par une flèche avertit l'utilisateur de la présence d'une tension dangereuse non isolée à l'intérieur du carter de l'appareil, celle-ci pouvant être suffisante pour présenter un risque d'électrocution.

 Le symbole représentant un point d'exclamation dans un triangle équilatéral informe l'utilisateur que cette notice d'utilisation contient des instructions importantes sur le fonctionnement et l'entretien.

CONSIGNES DE SÉCURITÉ IMPORTANTES

- Lire ce manuel d'instructions.
- Conservez ce manuel d'instructions.
- Tenez compte de tous les avertissements.
- Suivez toutes les instructions.
- N'utilisez pas cet appareil près d'eau.
- Nettoyez uniquement avec un chiffon sec.
- Ne bloquez aucun orifice de ventilation. Installez conformément aux instructions du fabricant.
- Ne pas installer près de sources de chaleur telles que des radiateurs, des grilles de chauffage, des fourneaux ou tout autre appareil (y compris des amplificateurs) produisant de la chaleur.

5

- Ne modifiez pas la fiche polarisée ou la prise de mise à la terre. Une fiche polarisée a deux broches dont l'une est plus large que l'autre. Une prise de mise à la terre a deux broches et une troisième broche de mise à la terre. Le but de la broche large ou la troisième broche de mise à la terre est de vous protéger. Si la broche fournie n'entre pas dans la prise de courant, consultez un électricien pour qu'il remplace la prise obsolète.
- Protégez le cordon d'alimentation de sorte qu'on ne puisse pas marcher dessus ou qu'il ne soit pas plié au niveau de la fiche, de la prise de courant et du point de branchement sur l'appareil.
- N'utilisez que les accessoires spécifiés par le fabricant.
- Utilisez uniquement avec le chariot, le support, le trépied ou la table spécifié(e) par le fabricant, ou vendu(e) avec l'appareil. Lorsque vous utilisez un chariot, faites attention lors du déplacement du chariot pour éviter toute blessure due à la chute de l'appareil (ajouter symbole Tombereau).



- Débranchez cet appareil en cas d'orages ou si vous ne l'utilisez pas pendant des périodes prolongées.
- Demandez à du personnel qualifié d'effectuer l'entretien.
- L'entretien est requis lorsque l'appareil a été endommagé, notamment en cas de dommage sur le cordon d'alimentation ou la prise, si du liquide a été versé sur l'appareil ou si des objets sont tombés sur l'appareil, si l'appareil a été exposé à la pluie ou à l'humidité, s'il ne fonctionne pas normalement ou s'il est tombé.
- Instructions d'entretien dans le manuel du propriétaire : « ATTENTION – CES INSTRUCTIONS D'ENTRETIEN NE DOIVENT ÊTRE EFFECTUÉES QUE PAR DU PERSONNEL QUALIFIÉ. POUR RÉDUIRE LE RISQUE DE CHOC ÉLECTRIQUE, N'EFFECTUEZ AUCUN AUTRE ENTRETIEN QUE CEUX DÉCRITS DANS LE MANUEL D'INSTRUCTIONS, SAUF SI VOUS ÊTES QUALIFIÉ POUR CELA ». Cet appareil ne doit pas être exposé aux gouttes ou aux éclaboussures. Ne placez pas d'objets remplis de liquide, tels que des vases, sur l'appareil.

CONSERVEZ LES PRÉSENTES INSTRUCTIONS.

Importantes instructions de sécurité pour la batterie

- Avant d'utiliser la batterie, lisez toutes les instructions et précautions relatives au chargeur de batterie, à la batterie et à l'appareil utilisant la batterie.**
- Ne démontez pas la batterie.**
- Cessez immédiatement l'utilisation si le temps de fonctionnement devient excessivement court. Il existe un risque de surchauffe, de brûlures, voire d'explosion.**
- Si de l'électrolyte pénètre dans vos yeux, rincez-les avec de l'eau et consultez immédiatement un médecin. Il existe un risque de cécité.**
- Ne court-circuitez pas la batterie :**
 - Ne touchez pas les bornes avec un matériau conducteur.**
 - Évitez de ranger la batterie dans un conteneur avec tout objet métallique tel que des clous, des pièces de monnaie, etc.**
 - N'exposez pas la batterie à l'eau ou à la pluie.****Un court-circuit peut causer un fort courant, une surchauffe, parfois des brûlures et même une panne de l'outil.**
- Ne rangez pas l'outil ou la batterie dans des endroits où la température risque d'atteindre ou de dépasser 50 °C (122 °F).**
- Ne jetez pas la batterie au feu même si elle est sérieusement endommagée ou complètement épuisée.**
- Au contact du feu, la batterie peut exploser.**
- Évitez de faire tomber ou de heurter la batterie.**
- N'utilisez pas de batterie endommagée.**
- Conformez-vous aux réglementations en vigueur dans votre région concernant l'élimination des batteries.**

CONSERVEZ LES PRÉSENTES INSTRUCTIONS.

⚠ ATTENTION :

Utilisez uniquement des batteries Makita d'origine. L'utilisation de batteries autres que les batteries d'origine Makita, ou encore de batteries qui ont été modifiées peut entraîner l'explosion de la batterie et provoquer des incendies, des blessures et d'autres dommages. Cela annulerait également la garantie de Makita s'appliquant à l'outil Makita et au chargeur.

Conseils pour obtenir la durée de service maximale de la batterie

- Rechargez la batterie avant qu'elle ne se décharge complètement. Vous devez toujours arrêter l'outil et recharger sa batterie lorsque vous remarquez une baisse de puissance.**
- Ne rechargez jamais une batterie complètement chargée. Les surcharges raccourcissent la durée de vie de la batterie.**
- Rechargez la batterie dans une température ambiante variant de 10 °C à 40 °C (50 °F à 104 °F). Si la batterie est chaude, laissez-la refroidir avant de la recharger.**

FC Précautions à l'utilisateur

Tout changement ou toute modification à l'appareil qui ne serait pas expressément homologué par le tiers responsable de sa conformité pourra annuler les droits de l'utilisateur à employer cet équipement. Cet équipement a été testé et jugé conforme aux limites propres aux appareils numériques de Classe B, conformément au Paragraphe 15 du règlement du FCC. Ces limites sont destinées à offrir une protection raisonnable contre les interférences nuisibles d'une installation résidentielle. Cet équipement produit, utilise et peut émettre des ondes radiofréquences et, s'il n'est pas installé et utilisé conformément aux directives du fabricant, peut causer des interférences nuisibles aux communications radio. En fonction des installations réalisées, il n'est cependant pas garanti que toute interférence soit exclue. Si cet équipement cause des interférences nuisibles à toute réception radio ou télévision, ce qui peut être déterminé en allumant et éteignant l'équipement, l'utilisateur est encouragé à tenter de corriger ces interférences en prenant l'une ou plusieurs des mesures suivantes :

- Réorienter l'antenne de réception ou en changer l'emplacement;
- Augmenter la distance entre l'équipement et le récepteur;
- Brancher l'équipement à une prise située sur un circuit différent de celui sur lequel le récepteur est connecté;
- Contacter le détaillant ou consulter un technicien radio/télé qualifié.

Ce dispositif est conforme à la Partie 15 des Règlements de la FCC. L'exploitation est autorisée aux deux conditions suivantes :
(1) le dispositif ne doit pas produire de brouillage nuisible, et (2) le dispositif doit accepter tout brouillage radioélectrique subi, même si le brouillage est susceptible de compromettre son fonctionnement.

ICES-003 STANDARD : CAN ICES-3(B)/NMB-3(B)

Caractéristiques :

- | | |
|---|---|
| 1) Récepteur stéréo AM/FM à syntonisation numérique | 10) Prise écouteurs |
| 2) Écran LCD avec rétroéclairage blanc | 11) Prise d'entrée auxiliaire |
| 3) Commutateur Marche/Arrêt | 12) Antenne tige FM |
| 4) Sélecteur de fréquence (AM/FM) | 13) Antenne AM intégrée |
| 5) Recherche automatique (vers le haut/vers le bas) | 14) Alimentée par une batterie au lithium-ion 12 V max. (10,8 V) rechargeable |
| 6) Contrôle numérique du volume (augmenter/baisser le volume) | 15) Indicateur de batterie faible |
| 7) Mémoires préréglées (5 pour AM et 5 pour FM) | 16) Protection de batterie faible |
| 8) Bouton de réglage rotatif | 17) Accessoires : Bandoulière |
| 9) Haut-parleur ø36 mm, 2 unités | |

6

Spécifications générales

Élément	Standard	
Type de batterie applicable	BL1016, BL1021B, BL1041B	
Source d'alimentation	CC 10,8 V - 12 V maximum	
Consommation électrique	450 mA max.	
Réglage de la plage de fréquences	AM	520 à 1 710 kHz Crans de 10 kHz
	FM	87,5 à 108 MHz Crans de 0,05 MHz (manuel), de 0,1 MHz (automatique)
Nombre de mémoires préréglées	AM	5
	FM	5
Puissance du haut-parleur par canal	1,2 W max.	
Puissance des écouteurs par canal	20 mW max.	
Entrée AUX	Impédance 22 K ohms 150 mVrms (canaux D et G)	
Antenne AM	Barre de ferrite ø10 mm X 60 mm (3/8 po x 2 3/8 po)	
Antenne tige FM	(L) 110 mm (4 5/16 po)	
Haut-parleur	ø36 mm 16 ohms 2 W, 2 unités	
Écran LCD	Type TN, superficie d'affichage 55 mm x 16 mm (2 3/16 po x 5/8 po)	
Rétroéclairage LCD	DEL blanche, s'allume pendant 20 secondes si une touche est sélectionnée ou si le bouton de réglage est réglé	
Environnement d'utilisation	Usage en intérieur	
Temps de fonctionnement (Si puissance du haut-parleur = 50 mW + 50 mW) (approximativement)	Avec BL1016	11 heures
	Avec BL1021B	15 heures
	Avec BL1041B	30 heures
Dimensions (L x P x H)	Sans batterie	169 mm x 58 mm x 74 mm (6 5/8 po x 2 1/4 po x 2 15/16 po)
	Avec BL1016, BL1021B	169 mm x 73 mm x 74 mm (6 5/8 po X 2 7/8 po x 2 15/16 po)
	Avec BL1041B	169 mm x 92 mm x 74 mm (6 5/8 po X 3 5/8 po x 2 15/16 po)
Poids net	Sans batterie	0,35 kg (0,8 lb)
	Avec BL1016, BL1021B	0,56 kg (1,2 lb)
	Avec BL1041B	0,72 kg (1,6 lbs)

Remarque :

Le temps de fonctionnement des batteries indiqué ci-dessus est fourni à titre informatif. Le temps de fonctionnement réel peut varier en fonction des conditions de recharge ou de l'environnement d'utilisation.

DESCRIPTION DE FONCTIONNEMENT

Installation ou retrait de la batterie (Fig. 2)

⚠ **ATTENTION :** Mettez toujours la radio hors tension avant d'installer ou de retirer la batterie.

⚠ **ATTENTION :** Tenez la radio et la batterie fermement lors de l'installation ou du retrait de la batterie. Dans le cas contraire, elles pourraient vous glisser des mains, ce qui pourrait endommager la radio et la batterie, et vous blesser.

Pour retirer la batterie (19), faites-la glisser du produit tout en faisant glisser le bouton (20) se trouvant à l'avant.

Pour installer la batterie, alignez sa languette sur la rainure pratiquée dans le carter, et glissez la batterie en place. Insérez-la à fond jusqu'à ce que vous entendiez un clic. Si vous pouvez voir l'indicateur rouge (21) situé sur le dessus du bouton, la batterie n'est pas complètement verrouillée.

⚠ **ATTENTION :** Installez toujours la batterie à fond jusqu'à ce que vous ne puissiez plus voir l'indicateur rouge. Dans le cas contraire, elle pourrait tomber de la radio et entraîner des blessures.

⚠ **ATTENTION :** Ne forcez pas sur la batterie pour l'installer. Si la batterie ne glisse pas facilement, c'est qu'elle n'est pas insérée correctement.

Crochet (Fig. 3)

Le crochet (22) a été conçu afin de pouvoir suspendre la radio sans fil de façon temporaire.

FONCTIONNEMENT

COMMENT ÉCOUTER LA RADIO

- Appuyez sur le bouton ALIMENTATION (9) pour allumer la radio. (Fig. 1 et 5) La fréquence de réception s'affiche sur l'ÉCRAN LCD (16). (Fig. 1 et 4)
- Appuyez sur le bouton FRÉQUENCE (8) pour sélectionner AM ou FM. (Fig. 1)
- Pour écouter les émissions FM, faites tourner la direction de l'ANTENNE TIGE (10) pour obtenir une meilleure réception. Pour écouter des émissions en AM, étant donné que l'antenne AM est intégrée à la radio, faites pivoter cette dernière pour obtenir une meilleure réception. (Fig. 1 et 6)
- Pour un réglage manuel, appuyez sur RECHERCHER VERS LE HAUT (17) ou RECHERCHER VERS LE BAS (18) une fois pour régler la fréquence ou tournez le BOUTON DE RÉGLAGE (11) pour une recherche plus rapide. (Fig. 1 et 5)
- Pour un réglage automatique, appuyez et maintenez enfoncé le bouton RECHERCHER VERS LE HAUT (17) ou RECHERCHER VERS LE BAS (18) pendant 3 secondes, la fréquence de réception augmente ou diminue d'un cran automatiquement. Lorsqu'un signal est reçu, la recherche s'arrête pendant 5 secondes permettant une écoute rapide puis reprend. Si vous voulez écouter l'émission, appuyez sur n'importe quel bouton (excepté le bouton d'alimentation) une fois pour arrêter la recherche. (Fig. 1)
- En mode FM, si la diffusion stéréo est reçue, l'icône « STÉRÉO » s'affiche. En cas de mauvaise réception, il est possible de réduire le bruit en coupant la fonction stéréo. Appuyez et maintenez enfoncé le bouton FRÉQUENCE (8) pendant 3 secondes pour accéder au mode de réglage stéréo FM. Appuyez ensuite de nouveau sur le bouton FRÉQUENCE (8) pour basculer entre « Stereo On » ou « Stereo Off ». (Fig. 1 et 4)
- Appuyez sur le bouton AUGMENTER LE VOLUME (14) ou BAISSER LE VOLUME (15) pour régler le niveau sonore. (Fig. 1)
- Pour écouter la radio avec des écouteurs (non compris), branchez complètement la fiche écouteur 3,5 mm dans la PRISE ÉCOUTEUR (12). Les haut-parleurs intégrés sont automatiquement déconnectés et aucun son n'est émis. (Fig. 1 et 7)
- Lorsque la batterie est bienôt déchargée, le témoin de batterie faible s'affiche sur l'ÉCRAN LCD (16). (Fig. 4)
- Pour éteindre la radio, appuyez une fois sur le bouton ALIMENTATION (9). (Fig. 1 et 5)
- La radio contient une mémoire IC, tous les réglages (niveau du volume, dernières fréquences reçues et mémoires préréglées) sont automatiquement sauvegardés avant le retrait de la batterie.

COMMENT ENREGISTRER LA MÉMOIRE PRÉRÉGLÉE

- Choisissez la fréquence à enregistrer.
- Appuyez et maintenez enfoncé l'un des boutons MÉMOIRE PRÉRÉGLÉE (3) à (7) pendant 3 secondes, la fréquence choisie est enregistrée à cet emplacement de la mémoire. L'icône « MÉMOIRE » et le numéro de l'emplacement choisi s'affichent sur l'écran. (Fig. 1 et 4)
- Chaque fréquence AM et FM comporte 5 emplacements de mémoire préréglée.
- Pour rappeler la mémoire préréglée, appuyez une fois sur l'un des boutons MÉMOIRE PRÉRÉGLÉE.







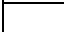

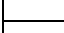

COMMENT LIRE DE LA MUSIQUE VIA LA PRISE AUXILIAIRE

- Appuyez sur le bouton ALIMENTATION (9) pour allumer la radio. (Fig. 1 et 5)
- Préparez un câble signal audio (non inclus) dont les deux extrémités présentent une fiche stéréo de 3,5 mm de diamètre.
- Une des extrémités est branchée dans la prise écouteur de votre appareil et l'autre dans la PRISE D'ENTRÉE AUXILIAIRE (1) de la radio. (Fig. 1 et 8)
- Lorsque la prise est branchée, les lettres « AU » s'affichent sur l'ÉCRAN LCD (16) et la radio passe en mode AUX automatiquement.
- Réglez le volume de l'appareil et celui de la radio pour obtenir un niveau sonore convenable.

Affichage de la capacité résiduelle de la batterie (Fig. 9)

Uniquement pour les batteries dont le numéro de modèle se termine par « B »

Appuyez sur le bouton de vérification (24) sur la batterie pour afficher la capacité résiduelle de la batterie. Les témoins (23) s'allument pendant quelques secondes.

	Témoins	
		Capacité résiduelle
		75 % à 100 %
		50 % à 75 %
		25 % à 50 %
		0 % à 25 %

REMARQUE : Selon les conditions d'utilisation et la température ambiante, il est possible que la capacité relevée soit légèrement différente par rapport à la capacité réelle.

7

8


ESPAÑOL (Instrucciones originales)

UBICACIÓN DE LOS CONTROLES

	Explicación de vista general	
1. CONECTOR DE ENTRADA AUXILIAR	9. ENCENDIDO	18. BÚSQUEDA ABAJO
2. ALTAVOZ IZQUIERDO	10. ANTENA DE VARILLA	19. Cartucho de batería
3. MEMORIA PREESTABLECIDA 1	11. PERILLA DE SINTONIZACIÓN	20. Botón
4. MEMORIA PREESTABLECIDA 2	12. CONECTOR DE AUDIFONOS	21. Indicador rojo
5. MEMORIA PREESTABLECIDA 3	13. ALTAVOZ DERECHO	22. Gancho
6. MEMORIA PREESTABLECIDA 4	14. VOLUMEN ARRIBA	23. Luces indicadoras
7. MEMORIA PREESTABLECIDA 5	15. VOLUMEN ABAJO	24. Botón de comprobación
8. BANDA	16. PANTALLA DE LCD	
	17. BÚSQUEDA ARRIBA	

Símbolos

A continuación se muestran los símbolos utilizados con este equipo. Asegúrese que entendi su significado antes de usar.

 Lea el manual de instrucciones.

 Siempre recicle las baterías

Li-ion

INSTRUCCIONES IMPORTANTES DE SEGURIDAD

⚠ ADVERTENCIA:

Cuando utilice herramientas eléctricas, deberá tomar siempre precauciones de seguridad básicas, incluyendo las siguientes, para reducir el riesgo de incendios, descargas eléctricas y heridas personales:

- Lea este manual de instrucciones y el manual de instrucciones del cargador con cuidado antes de usar.
- Limpie solamente con un paño limpio.
- No obstruya ninguna apertura de ventilación. Instale de acuerdo a las instrucciones del fabricante.
- No la instale cerca de fuentes de calor como radiadores, registradores de temperatura, estufas u otros aparatos (incluidos amplificadores) que produzcan calor.
- Utilice accesorios/aditamentos especificados por el fabricante.
- Desconecte este aparato durante tormentas eléctricas o cuando no lo utilice por periodos prolongados de tiempo.
- Una radio a baterías con baterías incorporadas o con un paquete de baterías independiente debe recargarse sólo con el cargador especificado para la batería. Un cargador que puede ser adecuado para un tipo de batería puede generar un riesgo de incendio cuando se utiliza con otra batería.
- Utilice la radio a baterías sólo con los paquetes de baterías diseñados específicamente para ella. El uso de cualquier otro tipo de baterías puede provocar un riesgo de incendio.
- Cuando no se esté usando el cartucho de batería, manténgalo alejado de otros objetos metálicos, como sujetapapeles (clips), monedas, llaves, clavos, tornillos u otros objetos pequeños de metal los cuales pueden actuar creando una conexión entre las terminales de la batería. Si ocasiona un cortocircuito uniendo los terminales de la batería puede provocar, chispas, quemaduras o un incendio.
- Evite el contacto del cuerpo con superficies aterrizadas como tubería, radiadores, estufas y refrigeradores. Existe un incremento de riesgo de descarga eléctrica si su cuerpo está aterrizado.
- Use con cargador modelo DC10WD o DC10SB.
- ADVERTENCIA:** Para reducir el riesgo de incendio o descarga eléctrica, no exponga este aparato a la lluvia ni a la humedad, así como tampoco lo aproxime a recipientes que contengan líquidos, como vasos o floreros, los cuales no deberán colocarse encima.
- PARA DESCONECTAR POR COMPLETO ESTE APARATO DEL SUMINISTRO ELÉCTRICO, DESCONECTE EL CABLE DEL SUMINISTRO ELÉCTRICO DEL RECEPTÁCULO DEL TOMACORRIENTES.**
- EL ENCHUFE DEL CABLE DE SUMINISTRO ELÉCTRICO DEBERÁ ESTAR AL ALCANCE.
- ADVERTENCIA:** NO EXPONGA LAS BATERÍAS NI LOS CARTUCHOS DE BATERÍA A FUENTES EXCESIVAS DE CALOR, COMO LOS RAYOS DIRECTO DEL SOL, FUEGO O SIMILARES.
- PRECAUCIÓN:** PELIGRO DE EXPLOSIÓN EXISTENTE SI LA BATERÍA ES COLOCADA DE FORMA INCORRECTA. REEMPLACE SÓLO CON BATERÍA MAKITA MODELO BL1014.



El rayo con el símbolo de la flecha dentro de un triángulo equilátero tiene la intención de alertar al usuario acerca de la presencia de un "voltaje peligroso" sin aislamiento dentro de la carcasa del producto que puede que sea de suficiente magnitud para constituir un riesgo de descarga eléctrica para las personas.



El signo de exclamación dentro de un triángulo equilátero tiene la intención de alertar a los usuarios acerca de la presencia de instrucciones importante para el mantenimiento (servicio) en la literatura incluida con el producto.

INSTRUCCIONES IMPORTANTES DE SEGURIDAD

- Lea estas instrucciones.
- Conserve estas instrucciones.
- Observe todas las advertencias.
- Siga todas las instrucciones.
- No use este aparato cerca del agua.
- Limpie solamente con un paño limpio.
- No obstruya ninguna de las aberturas de ventilación. Instale de acuerdo a las instrucciones del fabricante.
- No instale cerca de fuentes de calor como radiadores, registradores de temperatura, estufas u otros aparatos (incluidos amplificadores) que produzcan calor.
- No anule el propósito de seguridad del enchufe polarizado o con clavija aterrizada. Un enchufe polarizado cuenta con dos clavijas donde una de ellas es más ancha que la otra. Un enchufe con clavija aterrizada cuenta con dos clavijas más una tercera para conexión a tierra. La clavija ancha o la tercera clavija aterrizada son incluidas para su seguridad. Si el enchufe proporcionado no encaja con su tomacorrientes, acuda a un electricista para que haga el reemplazo correspondiente del tomacorrientes.
- Proteja el cable eléctrico de que no sea pisado, doblado ni pinchado, particularmente de la parte del enchufe, de los receptáculos de conveniencia y del punto en que sale del aparato.

9

- Utilice sólo accesorios que especifique el fabricante.
- Use sólo con el carrete, tarima, trípode, brazo, o mesa que se especifican por el fabricante, o que se venden diseñados para este aparato. Al utilizar un carrete, tenga precaución al desplazar el conjunto de éste con el aparato para evitar lesiones por volcado (y símbolo del carrete volcado).



- Desconecte este aparato durante tormentas eléctricas o cuando no lo utilice por periodos prolongados de tiempo.
- Acuda a personal calificado para todo lo que respecta a servicio y mantenimiento.
- El servicio es requerido cuando el aparato se ha dañado en cualquier forma, como daños en el cable o enchufe del suministro eléctrico, líquido que se ha derramado u objetos que se han introducido al aparato, así como cuando haya habido exposición a la lluvia o humedad, si no está funcionando con normalidad o si se ha dejado caer al suelo.
- Si hay Instrucciones de servicio en el Manual del Usuario: "PRECAUCIÓN: LAS SIGUIENTES INSTRUCCIONES DE SERVICIO ESTÁ DESTINADAS SÓLO PARA PERSONAL CALIFICADO DE MANTENIMIENTO. PARA REDUCIR EL RIESGO DE DESCARGA ELÉCTRICA, NO REALICE NINGÚN SERVICIO QUE NO SEA EL QUE SE DESCRIBE EN LAS INSTRUCCIONES DE OPERACIÓN, SALVO QUE USTED SEA UNA PERSONA CALIFICADA PARA REALIZAR SERVICIOS DE MANTENIMIENTO."
- No se deberá exponer el aparato a contenedores que goteen o que lo salpiquen, ni se colocarán objetos llenos con agua, tal como floreros, encima del aparato.

CONSERVE ESTAS INSTRUCCIONES.

Instrucciones de seguridad importantes para el cartucho de batería

- Antes de utilizar el cartucho de batería, lea todas las instrucciones e indicaciones de precaución sobre el cargador de batería, la batería, y el producto con el que se utiliza la batería.**
- No desarme el cartucho de batería.**
- Si el tiempo de uso del cartucho de batería se acorta demasiado, deje de usarlo inmediatamente. Podría resultar en un riesgo de sobrecalentamiento, posibles quemaduras e incluso una explosión.**
- En caso de que ingresen electrolitos en sus ojos, enjuáguelos bien con agua limpia y acuda a un médico de inmediato. Esto podría ocasionar la pérdida de la visión.**
- No cierre el circuito entre los terminales del cartucho de batería:**
 - No toque los terminales con ningún material conductor.**
 - Evite guardar el cartucho de batería en algún cajón junto con cualquier otro objeto metálico, como clavos, monedas, etc.**
 - No exponga el cartucho de batería a la lluvia ni a la nieve.**
- Un cortocircuito puede provocar un elevado flujo de corriente, sobrecalentamiento, posibles quemaduras e incluso una avería.**
- No guarde la herramienta ni el cartucho de la batería en lugares donde la temperatura pueda alcanzar o exceder los 50 °C (122 °F).**
- Nunca incinere el cartucho de batería incluso en el caso de que esté dañado seriamente o ya no sirva en lo absoluto. El cartucho de batería puede explotar si se arroja al fuego.**
- Tenga cuidado de no dejar caer ni golpear el cartucho de batería.**
- No use con una batería dañada.**
- Siga las regulaciones locales relacionadas con el desecho de las baterías.**

CONSERVE ESTAS INSTRUCCIONES.

⚠ PRECAUCIÓN:

Use **sólo**mente con baterías originales de Makita. El uso de baterías no originales de Makita, o baterías que han sido alteradas, puede que resulte en que la batería se reviente causando incendios, lesiones al usuario o daños. También anulará la garantía de Makita para la herramienta y el cargador de Makita.

Consejos para alargar al máximo la vida útil de la batería

- Recargue el cartucho de batería antes de que se descargue por completo. Siempre detenga la operación de la herramienta y recargue el cartucho de batería cuando note menor potencia en la herramienta.**
- Nunca recargue un cartucho de batería que esté completamente recargado. El sobrecargar acorta la vida útil de la batería.**
- Recargue el cartucho de batería a temperatura ambiente a 10 °C - 40 °C (50 °F - 104 °F). Deje que un cartucho de batería caliente se enfríe antes de recargarlo.**

FC Precauciones para el usuario

Los cambios o modificaciones que no hayan sido expresamente autorizados por la entidad responsable por el cumplimiento de las regulaciones podrían anular la autoridad del usuario de utilizar este equipo.

Este equipo ha sido probado y demuestra que cumple con los límites de un Dispositivo Digital de Clase B, en conformidad con la sección 15 de las regulaciones de la FCC. Estos límites están diseñados para brindar una protección razonable contra a interferencia perjudicial en un ámbito residencial. Este equipo genera, utiliza y puede irradiar energía de radiofrecuencia y, de no instalarse y usarse de acuerdo a las instrucciones, puede que cause interferencia perjudicial en la radiocomunicación. Sin embargo, no hay garantía de que la interferencia no ocurrirá en un ámbito en particular. Si este equipo no causa interferencia perjudicial a la recepción de la señal de radio o televisión, lo cual se puede determinar al encender y apagar el equipo, entonces se anima al usuario a tratar de corregir la interferencia mediante una o más de las siguientes medidas:

- Reorientar o reubicar la antena receptora.
- Aumentar la separación entre el equipo y el receptor.
- Conectar el equipo en un tomacorriente de un circuito distinto del que está conectado el receptor.
- Recurrir a la ayuda del distribuidor o de un técnico de radio/TV con experiencia.

Este dispositivo cumple con la Parte 15 del reglamento de la FCC. La operación está sujeta a las siguientes dos condiciones: (1) este dispositivo no deberá causar interferencias perjudiciales y, (2) este dispositivo deberá aceptar cualquier interferencia recibida, incluyendo la interferencia que podría ocasionar un desempeño no deseado.

ICES-003 STANDARD : CAN ICES-3(B)/NMB-3(B)

Caractéristiques :

- | | |
|---|---|
| 1) Receptor estéreo AM/FM de sintonización digital | 10) Conector de audifonos |
| 2) Pantalla de LCD con luz de fondo blanca | 11) Conector de entrada auxiliar |
| 3) Interruptor de encendido/apagado | 12) Antena FM de varilla |
| 4) Selector de banda (AM/FM) | 13) Antena AM incorporada |
| 5) Búsqueda de transmisión automática (búsqueda hacia arriba/abajo) | 14) Operación con un cartucho de batería de Li-ion recargable de 12 V máx. (10,8 V) |
| 6) Control de volumen digital (volumen arriba/abajo) | 15) Indicación de batería baja |
| 7) Memorias preestablecidas (5 para AM, 5 para FM) | 16) Protección de batería baja |
| 8) Perilla de sintonización giratoria | 17) Accesorios: correa de hombro |
| 9) Altavoz de ø36 mm, 2 pzs | |

10

Especificación general

Elemento	Estándar	
Tipo de batería aplicable	BL1016, BL1021B, BL1041B	
Fuente de suministro eléctrico	CC 10,8 V - 12 V máx	
Consumo de corriente	450 mA máx	
Rango de frecuencia de sintonización	AM	De 520 KHz a 1 710 KHz Incrementos de 10 KHz
	FM	De 87,5 MHz a 108 MHz Incrementos de 0,05 MHz (manual), 0,1 MHz (automático)
Número de memorias preestablecidas	AM	5
	FM	5
Potencia de salida del altavoz por canal	1,2 W máx	
Potencia de salida de audífono por canal	20 mW máx	
Entrada AUX	Impedancia 22 K ohm 150 mVrms (Canales L&R - izquierdo y derecho)	
Antena AM	Barra de ferrita ø10 x 60 mm (3/8" x 2-3/8")	
Antena FM de varilla	(L) 110 mm (4-5/16")	
Altavoz	ø36 mm 16 ohm 2 W, 2 piezas	
Pantalla de LCD	Tipo TN, área visual de 55 mm x 16 mm (2-3/16" x 5/8")	
Luz de fondo de LCD	LED blanco; se ilumina por hasta 20 segundos si se presiona cualquier tecla o se sintoniza la perilla de sintonización	
Ambiente aplicable	Uso en interiores	
Tiempo de operación (En salida de altavoz = 50 mW + 50 mW) (Aproximadamente)	Con BL1016	11 horas
	Con BL1021B	15 horas
	Con BL1041B	30 horas
Dimensiones (La x An x Al)	Sin batería	169 mm x 58 mm x 74 mm (6-5/8" X 2-1/4" x 2-15/16")
	Con BL1016, BL1021B	169 mm x 73 mm x 74 mm (6-5/8" X 2-7/8" x 2-15/16")
	Con BL1041B	169 mm x 92 mm x 74 mm (6-5/8" X 3-5/8" x 2-15/16")
Peso neto	Sin batería	0,35 kg (0,8 lbs)
	Con BL1016, BL1021B	0,56 kg (1,2 lbs)
	Con BL1041B	0,72 kg (1,6 lbs)

Nota:

La tabla en relación con el tiempo de operación de batería anterior es para usarse como referencia. El tiempo de operación real puede que varíe con la condición de recarga o el entorno de uso.

DESCRIPCIÓN OPERATIVA

Instalación o desinstalación del cartucho de batería (Fig. 2)

⚠ PRECAUCIÓN: Apague siempre la radio antes de colocar o quitar el cartucho de batería.

⚠ PRECAUCIÓN: Sujete la radio y el cartucho de batería con firmeza al colocar o extraer el cartucho. No sujetar la radio y el cartucho de batería puede que resulte en que el cartucho resbale de sus manos y se dañe la radio y la batería, así como ocasionar lesiones personales.

Para quitar el cartucho de batería (19), deslicelo de la radio mientras desliza el botón (20) sobre la parte delantera del cartucho. Para colocar el cartucho de batería, alinee la lengüeta sobre el cartucho de la ranura en la carcasa y deslice en su lugar. Inserte por completo hasta que se fije en su lugar con un pequeño clic. Si puede ver el indicador rojo (21) en el lado superior del botón, esto indica que no ha quedado fijo por completo.

⚠ PRECAUCIÓN: Introduzca siempre completamente el cartucho de batería hasta que el indicador rojo no pueda verse. Si no, podría accidentalmente salirse de la radio y caer al suelo causando una lesión a usted o alguien a su alrededor.

⚠ PRECAUCIÓN: No instale el cartucho de batería a la fuerza. Si el cartucho no se desliza al interior fácilmente, se debe a que no está siendo insertado correctamente.

Gancho (Fig. 3)

El gancho (22) es conveniente para colgar la radio inalámbrica temporalmente.

OPERACIÓN

CÓMO ESCUCHAR UNA TRANSMISIÓN RADIAL

- Presione el botón ENCENDIDO (9) para encender la radio. (Fig. 1 y 5) La frecuencia receptora aparece en la PANTALLA DE LCD (16). (Fig. 1 y 4)
- Presione el botón BANDA (8) para seleccionar la banda FM o AM. (Fig. 1)
- Para escuchar emisiones en FM, gire la dirección de ANTENA DE VARILLA (10) para que capte una mejor recepción. Para escuchar emisiones en AM, debido a que la antena está incorporada en la radio, gire la dirección de la radio para lograr una mejor recepción. (Fig. 1 y 6)
- Para la sintonización manual, presione el botón BÚSQUEDA ARRIBA (17) o BÚSQUEDA ABAJO (18) una vez para sintonizar la frecuencia receptora hacia arriba o hacia abajo por un paso, o gire la PERILLA DE SINTONIZACIÓN (11) para lograr una sintonización hacia arriba/abajo más rápida. (Fig. 1 y 5)
- Para la sintonización automática, presione y mantenga presionado el botón BÚSQUEDA ARRIBA (17) o BÚSQUEDA ABAJO (18) durante 3 segundos, la frecuencia de recepción aumenta o disminuye automáticamente en un paso. Cuando se recibe la transmisión, la búsqueda se detiene durante 5 segundos para escuchar brevemente y luego reinicia la búsqueda. Si desea escuchar la transmisión, presione cualquier botón (excepto el de encendido) una vez para detener la búsqueda. (Fig. 1)
- Si se recibe una transmisión estéreo en la banda FM, aparecerá el icono "ESTÉREO". Para reducir el ruido de recepción en circunstancias de mala recepción, desactive la función estéreo. Presione y mantenga presionado el botón BANDA (8) durante 3 segundos para entrar al modo FM Estéreo. A continuación, presione el botón BANDA (8) nuevamente para cambiar a "Estéreo encendido" o "Estéreo apagado". (Fig. 1 y 4)
- Presione VOLUMEN ARRIBA (14) o VOLUMEN ABAJO (15) para ajustar el nivel de sonido. (Fig. 1)
- Para escuchar la radio con audífonos (no se incluyen), conecte el adaptador de 3,5 mm de diámetro para audífonos al CONECTOR DE AUDÍFONOS completamente (12). Los parlantes incorporados se desconectan automáticamente y no se emiten sonidos. (Fig. 1 y 7)
- Cuando la batería está a punto de agotarse, aparece un indicador de batería baja en la PANTALLA DE LCD (16). (Fig. 4)
- Para apagar la radio, presione el botón ENCENDIDO (9) una vez. (Fig. 1 y 5)
- La radio se integra con la memoria IC, todas las configuraciones (nivel de volumen, última frecuencia de recepción y memorias preestablecidas) se guardan automáticamente antes de que se extraiga la batería.

CÓMO ALMACENAR LA MEMORIA PREESTABLECIDA

- Seleccione la frecuencia de recepción para almacenar.
- Presione y mantenga presionados los botones MEMORIA PREESTABLECIDA (3) - (7) durante 3 segundos, la frecuencia seleccionada se almacena en esa ubicación de la memoria. El icono "MEMORIA" y el N° de ubicación de memoria seleccionados aparecerán en la pantalla. (Fig. 1 y 4)
- Existen 5 ubicaciones de memorias preestablecidas para cada banda AM y FM.
- Para recuperar la memoria preestablecida, simplemente presione uno de los botones de MEMORIA PREESTABLECIDA una vez.

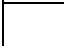









CÓMO REPRODUCIR MÚSICA A TRAVÉS DE UN CONECTOR AUXILIAR

- Presione el botón ENCENDIDO (9) para encender la radio. (Fig. 1 y 5)
- Prepare un cable de señal de audio (no se incluye), ambos extremos con un adaptador estéreo de 3,5 mm de diámetro.
- Un extremo del cable se conecta al conector de audífonos de su dispositivo de reproducción y otro extremo se inserta en el CONECTOR DE ENTRADA AUXILIAR (1) de la radio. (Fig. 1 y 8)
- Cuando el conector esté conectado, las letras "AU" se muestran en la PANTALLA DE LCD (16) y la radio pasa al modo AUX automáticamente.
- Ajuste el volumen del dispositivo de reproducción y el control de volumen de la radio para obtener un nivel de sonido de salida adecuado.

Indicación de la capacidad restante de la batería (Fig. 9)

Solo para cartuchos de batería con una "B" en el extremo del número de modelo

Presione el botón de comprobación (24) en el cartucho de la batería para indicar la capacidad restante de la batería. Las luces indicadoras (23) se encenderán por algunos segundos.

Luces indicadoras		Capacidad restante
 Encendido	 Desactivado	
		75% a 100%
		50% a 75%
		25% a 50%
		0% a 25%

NOTA: Dependiendo de las condiciones de uso y de la temperatura ambiente, puede que lo que se indique difiera levemente de la capacidad real.


PORTUGUÊS (Instruções originais)

LOCALIZAÇÃO DOS CONTROLES

	Explicação geral	
1. TOMADA DE ENTRADA AUXILIAR	9. BOTÃO LIGAR	17. PROCURA PARA CIMA
2. ALTO-FALANTE ESQUERDO	10. HASTE ANTENA	18. PROCURA PARA BAIXO
3. MEMÓRIA PREDEFINIDA 1	11. BOTÃO SINTONIZADOR	19. Bateria
4. MEMÓRIA PREDEFINIDA 2	12. ENTRADA PARA FONE DE OUVIDO	20. Botão
5. MEMÓRIA PREDEFINIDA 3	13. ALTO-FALANTE DIREITO	21. Indicador vermelho
6. MEMÓRIA PREDEFINIDA 4	14. MAIS VOLUME	22. Gancho
7. MEMÓRIA PREDEFINIDA 5	15. MENOS VOLUME	23. Lâmpadas indicadoras
8. FAIXA	16. VISOR LCD	24. Botão Verificar

Símbolos

A seguir, encontram-se os símbolos usados para este equipamento. Certifique-se de entender o significado de cada um antes do uso.

Leia o manual de instruções.

Recicle sempre as baterias.


Li-ion


INSTRUÇÕES IMPORTANTES DE SEGURANÇA

⚠️ AVISO:

Ao usar ferramentas elétricas, siga sempre as precauções básicas de segurança para reduzir o risco de incêndio, choque elétrico e ferimentos, inclusive as seguintes:

- Leia com atenção este manual de instruções e o manual de instruções do carregador antes de usar.
- Limpe apenas com um pano seco.
- Não bloqueie qualquer abertura de ventilação. Faça a instalação de acordo com as instruções do fabricante.
- Não instale perto de fontes de calor, como radiadores, registros de aquecedores, fogões ou outros aparelhos (incluindo amplificadores) que produzam calor.
- Use somente implementos/acessórios especificados pelo fabricante.
- Desconecte o aparelho durante tempestades de raios ou quando o aparelho não estiver sendo usado por um longo período de tempo.
- Um rádio operado a bateria com baterias íntegrais ou uma separada pode ser recarregado somente com o carregador especificado para a bateria. Um carregador que possa ser adequado para um tipo de bateria pode criar um risco de incêndio se usado com outra bateria.
- Use rádio operado a bateria somente com baterias especificamente designadas. O uso de qualquer outra bateria pode criar risco de incêndio.
- Quando a bateria não estiver em uso, mantenha-a longe de outros objetos metálicos, como cliques de papel, moedas, chaves, pregos, parafusos ou outros materiais metálicos pequenos que possam fazer uma conexão de um terminal a outro. Provocar o curto circuito dos terminais da bateria pode causar faíscas, queimaduras ou incêndio.
- Evite o contato com superfícies aterradas, como canos, radiadores, fogões e refrigeradores. O risco de choque elétrico aumenta se o seu corpo está ligado à terra.
- USE COM O MODELO DE CARREGADOR DC10WD OU DC10SB.
- AVISO:** Para reduzir o risco de fogo ou choque elétrico, não exponha este aparelho a chuva ou umidade e não coloque sobre este aparelho objetos que contenham líquidos, como vasos.
- PARA DESCONECTAR TOTALMENTE ESTE APARELHO DA ENERGIA, DESLIGUE O CABO DE ALIMENTAÇÃO DA TOMADA.**
- O PLUGUE PRINCIPAL DO CABO DE ALIMENTAÇÃO DEVE ESTAR FACILMENTE ACESSÍVEL.
- AVISO:** AS BATERIAS NÃO DEVEM SER EXPOSTAS AO CALOR EXCESSIVO, COMO LUZ SOLAR, FOGO OU SIMILARES.
- ATENÇÃO:** HÁ PERIGO DE EXPLOSAO SE A BATERIA É REPOSTA INCORRETAMENTE. SUBSTITUA APENAS POR BATERIAS MAKITA MODELO BL1014.

 A Luz Piscante com símbolo de flecha dentro de um triângulo equilátero alerta o usuário para a presença de uma "voltagem perigosa" não isolada dentro do invólucro do produto que pode ser de magnitude suficiente para significar um risco de choque às pessoas.

 O ponto de exclamação dentro de um triângulo equilátero alerta o usuário para a presença de instruções importantes de operação e manutenção (assistência) no folheto que acompanha o produto.

INSTRUÇÕES IMPORTANTES DE SEGURANÇA

- Leia as instruções.
- Guarde este manual de instruções.
- Respeite todos os avisos.
- Siga todas as instruções.
- Não utilize este aparelho próximo da água.
- Limpe apenas com um pano seco.
- Não bloqueie qualquer abertura de ventilação. Faça a instalação de acordo com as instruções do fabricante.
- Não instale perto de fontes de calor, como radiadores, registros de aquecedores, fogões ou outros aparelhos (incluindo amplificadores) que produzam calor.
- Não anule o propósito de segurança do plugue polarizado ou do tipo terra. Um plugue polarizado possui duas lâminas, uma mais larga que a outra. Um plugue do tipo terra possui duas lâminas e uma terceira ponteira de aterramento. A lâmina larga e a terceira ponteira são para sua segurança. Se o plugue fornecido não couber na sua tomada, consulte um electricista para substituir a tomada obsoleta.
- Proteja o cabo de alimentação de ser pisado ou apertado principalmente nos plugues, tomadas de conveniência e no ponto de onde saem do aparelho.
- Use somente implementos/acessórios especificados pelo fabricante.
- Utilize somente com carrinho, cavalete, tripé, suporte ou mesa especificados pelo fabricante ou vendidos com o aparelho. Quando um carrinho for utilizado, proceda com cautela ao mover o carrinho/aparelho para evitar ferimentos por tombos.



	13

Especificações gerais

Item	Padrão	
Tipo de bateria aplicável	BL1016, BL1021B, BL1041B	
Fonte de alimentação	10,8 V CC/12V máx.	
Consumo de corrente	Máx.: 450 mA	
Faixa de frequência de sintonia	AM	520 a 1.710 KHz Etapa de 10 kHz
	FM	87,5 a 108 MHz Etapa de 0,05 MHz (manual), etapa de 0,1 MHz (automática)
Nº de memória predefinida	AM	5
	FM	5
Potência de saída de alto-falante por canal	1,2 W máx.	
Potência de saída de fone de ouvido por canal	20 mW máx.	
Entrada AUX	Impedância 22 K ohm 150 mVrms (canal Esq. e Dir.)	
Antena AM	Barra de ferrita ø10 x 60 mm (3/8" x 2-3/8")	
Haste Antena FM	(L) 110 mm (4-5/16")	
Alto-falante	ø36 mm 16 ohm 2 W, 2 peças	
Visor LCD	Tipo TN, área de visualização de 55 x 16 mm (2-3/16" x 5/8")	
Luz de fundo do LCD	LED branco; acende durante 20 segundos se algum botão é pressionado ou se o botão sintonizador é girado	
Ambiente aplicável	Uso em ambientes internos	
Tempo de operação (Na saída do alto-falante = 50 mW + 50 mW) (Aproximadamente)	Com BL1016	11 horas
	Com BL1021B	15 horas
	Com BL1041B	30 horas
Dimensões (C x L x A)	Sem bateria	169 mm x 58 mm x 74 mm (6-5/8" X 2-1/4" x 2-15/16")
	Com BL1016, BL1021B	169 mm x 73 mm x 74 mm (6-5/8" X 2-7/8" x 2-15/16")
	Com BL1041B	169 mm x 92 mm x 74 mm (6-5/8" X 3-5/8" x 2-15/16")
Peso	Sem bateria	0,35 kg (0,8 lbs)
	Com BL1016, BL1021B	0,56 kg (1,2 lbs)
	Com BL1041B	0,72 kg (1,6 lbs)

Nota:
A tabela sobre o tempo de operação da bateria acima é para referência. O tempo de operação real pode diferir com o tipo de bateria, condição de carregamento ou ambiente de uso.

DESCRIÇÃO FUNCIONAL

Instalação e remoção da bateria (Fig. 2)

⚠️ ATENÇÃO: Sempre desligue o aparelho antes da instalação ou remoção da bateria.

⚠️ ATENÇÃO: Segure o aparelho e a bateria firmemente quando instalar ou remover a bateria. Não segurar o aparelho e a bateria firmemente pode fazer com que eles escorreguem de suas mãos, causando danos ao aparelho e à bateria, além de ferimentos pessoais.

Para remover a bateria (19), deslize-a do produto enquanto desliza o botão (20) na frente da bateria. Para instalar a bateria, alinhe a lingueta da bateria com a ranhura do compartimento e deslize-a no lugar. Empurre-a até o fim até que trave com um pequeno clique. Se for possível ver o indicador vermelho (21) no lado de cima do botão, significa que ela não está totalmente travada.

⚠️ ATENÇÃO: Sempre instale a bateria por completo até que não seja mais possível ver o indicador vermelho. Caso contrário, a bateria poderá cair acidentalmente e causar ferimentos em você ou em alguém por perto.

- Desconecte o aparelho durante tempestades ou quando o aparelho não estiver sendo usado por um longo período de tempo.
- Envie para manutenção com profissionais qualificados. A manutenção será necessária quando o aparelho sofrer qualquer tipo de dano, como quando o cabo de alimentação ou plugue for danificado, quando líquido for derramado ou objetos caírem sobre o aparelho, quando o aparelho for exposto a chuva ou umidade, quando não funcionar normalmente ou for derrubado.
- Se Instruções de Manutenção no Manual do Proprietário: "ATENÇÃO: ESTAS INSTRUÇÕES DE MANUTENÇÃO SÃO APENAS PARA O USO POR PROFISSIONAIS QUALIFICADOS. PARA REDUZIR O RISCO DE CHOQUE ELÉTRICO, NÃO FAÇA NENHUMA MANUTENÇÃO QUE NÃO A CONTIDA NAS INSTRUÇÕES DE OPERAÇÃO, A NÃO SER QUE VOCÊ SEJA QUALIFICADO PARA ISSO".
- O aparelho não deve ser exposto a líquido derramado ou respingos e nenhum objeto com líquido, como vasos, deve ser colocado no aparelho.

GUARDE ESTAS INSTRUÇÕES.

Instruções de segurança importantes para a bateria

- Antes de usar a bateria, leia todas as instruções e símbolos de aviso no carregador da bateria, na bateria e no produto utilizando a bateria.
- Não desmonte a bateria.
- Se o tempo de operação se tornar extremamente curto, pare o funcionamento imediatamente. Se continuar, pode haver o risco de sobreaquecimento, queimaduras ou mesmo uma explosão.
- Se entrar eletrólito nos olhos, lave com água limpa e busque atenção médica imediatamente. Pode ocorrer a perda de visão.
- Não provoque curto-circuito na bateria:
 - Não toque nos terminais com material condutor.
 - Evite guardar a bateria em um recipiente junto a outros objetos metálicos como pregos, moedas, etc.
 - Não exponha a bateria a água ou chuva. Um curto-circuito da bateria pode causar um fluxo grande de corrente, superaquecimento, possíveis queimaduras ou mesmo falhas.
- Não guarde a ferramenta e a bateria em locais onde a temperatura possa atingir ou exceder 50 °C (122 °F).
- Não incinere a bateria mesmo que ela esteja muito danificada ou totalmente gasta. A bateria pode explodir no fogo.
- Tenha cuidado para não deixar cair a bateria ou batê-la.
- Não use bateria danificada.
- Siga as regulamentações locais relacionadas ao descarte da bateria.

GUARDE ESTAS INSTRUÇÕES.

⚠️ ATENÇÃO:

Use somente baterias Makita originais. O uso de baterias Makita não originais, ou baterias que foram alteradas, pode resultar no estouro das baterias, resultando em incêndios, lesão pessoal e danos. Isso também anulará a garantia Makita para a ferramenta e o carregador Makita.

Sugestões para a máxima vida útil da bateria

- Carregue a bateria antes que ela esteja totalmente esgotada. Se notar diminuição de potência, pare o funcionamento da ferramenta e carregue a bateria.
- Jamais recarregue uma bateria que já esteja carregada. Carregar demais diminui a vida útil da bateria.
- Carregue a bateria em temperatura ambiente de 10 °C a 40 °C (50 °F a 104 °F). Se a bateria estiver quente, aguarde até que esfrie antes de recarregá-la.

FC Aviso ao usuário

As alterações ou modificações não expressamente aprovadas pelos responsáveis pela conformidade podem anular a autoridade do usuário para operar o equipamento.

O equipamento foi testado e está em conformidade com os requisitos para um Dispositivo Digital Classe B, nos termos da parte 15 do Regulamento da Comissão Federal de Comunicações. Esses requisitos são designados para fornecer a mínima proteção contra interferência em uma instalação residencial. Este equipamento gera, utiliza e pode irradiar energia de radiofrequência e, se não instalado e utilizado de acordo com as instruções, pode causar interferência à comunicação de rádio. Contudo, não há garantias de que essa interferência não ocorrerá em uma determinada instalação. Se este equipamento não causar interferência à recepção do sinal de rádio ou televisão, que pode ser determinado ao ligar e desligar o equipamento, aconselha-se ao usuário tentar corrigir a interferência por meio de uma ou mais das medidas a seguir:

- Reposicionar ou deslocar a antena de recepção.
- Aumentar o espaço entre o equipamento e o receptor.
- Conectar o equipamento a uma saída de um circuito diferente da qual o receptor está conectado.
- Consultar o vendedor ou um técnico de rádio/TV com experiência para ajuda.

Este dispositivo cumpre os requisitos da parte 15 do Regulamento da Comissão Federal de Comunicações.
A operação está sujeita às duas condições a seguir:
(1) Este dispositivo não pode causar interferência e (2) este dispositivo deve aceitar qualquer interferência, inclusive interferência que pode causar a operação indesejada do dispositivo.

ICES-003 STANDARD: CAN ICES-3(B)/NMB-3(B)

Características:

- | | |
|--|---|
| 1) Receptor estéreo AM/FM de sintonização digital | 10) Entrada para fone de ouvido |
| 2) Visor LCD com luz de fundo branca | 11) Tomada de entrada auxiliar |
| 3) Botão Liga/desliga | 12) Haste Antena FM |
| 4) Seletor de faixa (AM/FM) | 13) Antena AM embutida |
| 5) Procura de transmissão automática (procura para cima/baixo) | 14) Operada por bateria de íon-lítio recarregável de 12 V (10,8 V máx.) |
| 6) Controle de volume digital (mais/menos volume) | 15) Indicação de bateria fraca |
| 7) Memórias predefinidas (5 para AM, 5 para FM) | 16) Proteção para bateria fraca |
| 8) Botão sintonizador giratório | 17) Acessórios: Alça de ombro |
| 9) Alto-falante ø36 mm 2 pçs. | |

	14

⚠️ ATENÇÃO: Não use força quando instalar a bateria. Se a bateria não deslizar facilmente, é sinal de que não está sendo encaixada corretamente.

Gancho (Fig. 3)

O gancho (22) é conveniente para pendurar o Rádio sem fio temporariamente.

OPERAÇÃO

COMO OUVIR A TRANSMISSÃO DE RÁDIO

- Pressione o botão LIGAR (9) para ligar o rádio. (Fig. 1 & 5) A frequência de recepção é mostrada no VISOR LCD (16). (Fig. 1 e 4)
- Pressione o botão FAIXA (8) para selecionar a faixa FM ou AM. (Fig. 1)
- Para ouvir a transmissão FM, mude a direção da HASTE ANTENA (10) para ter uma melhor recepção. Para ouvir a transmissão AM, como a antena AM é embutida no rádio, gire a direção do rádio para obter uma melhor recepção. (Fig. 1 e 6)
- Para sintonização manual, pressione o botão PROCURA PARA CIMA (17) ou PROCURA PARA BAIXO (18) uma vez para sintonizar para cima ou para baixo a frequência de recepção um passo por vez, ou gire o BOTÃO SINTONIZADOR (11) para sintonizar para cima/baixo rapidamente. (Fig. 1 e 5)
- Para sintonização automática, mantenha pressionado o botão PROCURA PARA CIMA (17) ou PROCURA PARA BAIXO (18) durante 3 segundos; a frequência de recepção aumenta ou diminui um passo por vez automaticamente. Quando a transmissão é recebida, a procura para durante 5 segundos para curta audição e depois reinicia. Se quiser ouvir a transmissão, pressione qualquer botão (exceto o botão LIGAR) uma vez para parar a procura. (Fig. 1)
- Na faixa FM, se a transmissão estéreo é recebida, o ícone "ESTÉREO" é exibido. Em situação de má recepção, reduza o ruído da recepção desligando a função estéreo. Mantenha pressionado o botão FAIXA (8) durante 3 segundos para entrar no modo de ajuste FM Estéreo. Depois, pressione novamente o botão FAIXA (8) para "ligar o estéreo" ou "desligar o estéreo". (Fig. 1 e 4)
- Pressione o botão MAIS VOLUME (14) ou MENOS VOLUME (15) para ajustar o nível de som. (Fig. 1)
- Para ouvir o rádio pelos fones de ouvido (não incluídos), conecte um plugue do fone de ouvido com 3,5 mm de diâmetro totalmente na ENTRADA PARA FONE DE OUVIDO (12). Os alto-falantes embutidos são desconectados automaticamente e nenhum som é emitido. (Fig. 1 e 7)
- Quando a bateria é quase toda utilizada, o indicador de bateria baixa aparece no VISOR LCD (16). (Fig. 4)
- Para desligar o rádio, pressione uma vez o botão LIGAR (9). (Fig. 1 e 5)
- O rádio integra com memória IC e todas as configurações (nível de volume, última frequência de recepção e memórias predefinidas) são salvas automaticamente antes de ser removida a bateria.

COMO ARMAZENAR A MEMÓRIA PREDEFINIDA

- Escolha a frequência de recepção a ser armazenada.
- Mantenha pressionados os botões MEMÓRIA PREDEFINIDA (3) – (7) durante 3 segundos para a frequência escolhida ser armazenada no local da memória. O ícone "MEMÓRIA" e o número do local da memória escolhido são mostrados no visor. (Fig. 1 e 4)
- Há 5 locais de memória predefinida para cada faixa AM e FM.
- Para chamar a memória predefinida, basta pressionar um dos botões de MEMÓRIA PREDEFINIDA uma vez.




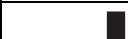
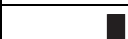
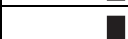
COMO REPRODUZIR MÚSICA PELA TOMADA AUXILIAR

- Pressione o botão LIGAR (9) para ligar o rádio. (Fig. 1 e 5)
- Prepare um cabo de sinal de áudio (não incluído), com ambas as extremidades de plugue estéreo com 3,5 mm de diâmetro.
- Uma extremidade do cabo é conectada à entrada para fone de ouvido de seu dispositivo de reprodução e a outra extremidade é inserida na TOMADA DE ENTRADA AUXILIAR (1) da unidade de rádio. (Fig. 1 e 8)
- Quando a tomada é conectada, as letras "AU" são exibidas no VISOR LCD (16) e o rádio alterna automaticamente para o modo AUX.
- Ajuste o volume do dispositivo de reprodução e o controle de volume do rádio para um nível de som produzido adequado.

Indicação da capacidade restante da bateria (Fig. 9)

Somente baterias com “B” no fim do número do modelo.

Pressione o botão Verificar (24) na bateria para indicar a capacidade restante da bateria. As lâmpadas indicadoras (23) se acendem por alguns segundos.

Lâmpadas indicadoras	Capacidade restante
 Acesa	 Desligado
	75% a 100%
	50% a 75%
	25% a 50%
	0% a 25%

NOTA: Dependendo das condições de uso e da temperatura ambiente, a indicação pode diferir ligeiramente da capacidade real.