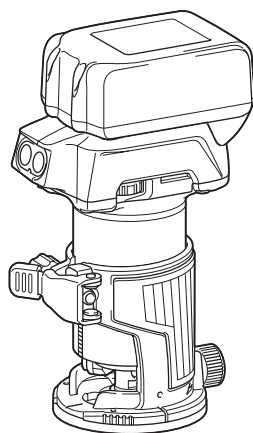


INSTRUCTION MANUAL  
MANUEL D'INSTRUCTION  
MANUAL DE INSTRUCCIONES



# Cordless Trimmer Affleureuse sans fil Recortadora Inalámbrica

## DRT50



**IMPORTANT:** Read Before Using.

**IMPORTANT :** Lire avant usage.

**IMPORTANTE:** Lea antes de usar.

## SPECIFICATIONS

<b>Model:</b>	<b>DRT50</b>
Collet chuck capacity	1/4" or 3/8"
No load speed	10,000 - 30,000/min
Overall length	226 mm (8-7/8")
Rated voltage	D.C. 18 V
Standard battery cartridge	BL1815N / BL1820B / BL1830 / BL1830B / BL1840B / BL1850B / BL1860B
Net weight	1.8 - 2.1 kg (3.9 - 4.6 lbs)

- Due to our continuing program of research and development, the specifications herein are subject to change without notice.
- Specifications and battery cartridge may differ from country to country.
- The weight may differ depending on the attachment(s), including the battery cartridge. The lightest and heaviest combination, according to EPTA-Procedure 01/2014, are shown in the table.

## SAFETY WARNINGS

### General power tool safety warnings

**⚠ WARNING:** Read all safety warnings, instructions, illustrations and specifications provided with this power tool. Failure to follow all instructions listed below may result in electric shock, fire and/or serious injury.

### Save all warnings and instructions for future reference.

The term "power tool" in the warnings refers to your mains-operated (corded) power tool or battery-operated (cordless) power tool.

#### Work area safety

1. **Keep work area clean and well lit.** Cluttered or dark areas invite accidents.
2. **Do not operate power tools in explosive atmospheres, such as in the presence of flammable liquids, gases or dust.** Power tools create sparks which may ignite the dust or fumes.
3. **Keep children and bystanders away while operating a power tool.** Distractions can cause you to lose control.

#### Electrical Safety

1. **Power tool plugs must match the outlet. Never modify the plug in any way. Do not use any adapter plugs with earthed (grounded) power tools.** Unmodified plugs and matching outlets will reduce risk of electric shock.
2. **Avoid body contact with earthed or grounded surfaces, such as pipes, radiators, ranges and refrigerators.** There is an increased risk of electric shock if your body is earthed or grounded.
3. **Do not expose power tools to rain or wet conditions.** Water entering a power tool will increase the risk of electric shock.

4. **Do not abuse the cord. Never use the cord for carrying, pulling or unplugging the power tool. Keep cord away from heat, oil, sharp edges or moving parts.** Damaged or entangled cords increase the risk of electric shock.
5. **When operating a power tool outdoors, use an extension cord suitable for outdoor use.** Use of a cord suitable for outdoor use reduces the risk of electric shock.
6. **If operating a power tool in a damp location is unavoidable, use a ground fault circuit interrupter (GFCI) protected supply.** Use of a GFCI reduces the risk of electric shock.
7. **Power tools can produce electromagnetic fields (EMF) that are not harmful to the user.** However, users of pacemakers and other similar medical devices should contact the maker of their device and/or doctor for advice before operating this power tool.

#### Personal Safety

1. **Stay alert, watch what you are doing and use common sense when operating a power tool. Do not use a power tool while you are tired or under the influence of drugs, alcohol or medication.** A moment of inattention while operating power tools may result in serious personal injury.
2. **Use personal protective equipment. Always wear eye protection.** Protective equipment such as dust mask, non-skid safety shoes, hard hat, or hearing protection used for appropriate conditions will reduce personal injuries.
3. **Prevent unintentional starting. Ensure the switch is in the off-position before connecting to power source and/or battery pack, picking up or carrying the tool.** Carrying power tools with your finger on the switch or energising power tools that have the switch on invites accidents.
4. **Remove any adjusting key or wrench before turning the power tool on.** A wrench or a key left attached to a rotating part of the power tool may result in personal injury.
5. **Do not overreach. Keep proper footing and balance at all times.** This enables better control of the power tool in unexpected situations.

6. **Dress properly. Do not wear loose clothing or jewellery. Keep your hair, clothing and gloves away from moving parts.** Loose clothes, jewellery or long hair can be caught in moving parts.
7. **If devices are provided for the connection of dust extraction and collection facilities, ensure these are connected and properly used.** Use of dust collection can reduce dust-related hazards.
8. **Do not let familiarity gained from frequent use of tools allow you to become complacent and ignore tool safety principles.** A careless action can cause severe injury within a fraction of a second.
9. **Always wear protective goggles to protect your eyes from injury when using power tools. The goggles must comply with ANSI Z87.1 in the USA.**  
It is an employer's responsibility to enforce the use of appropriate safety protective equipments by the tool operators and by other persons in the immediate working area.

#### Power tool use and care

1. **Do not force the power tool. Use the correct power tool for your application.** The correct power tool will do the job better and safer at the rate for which it was designed.
2. **Do not use the power tool if the switch does not turn it on and off.** Any power tool that cannot be controlled with the switch is dangerous and must be repaired.
3. **Disconnect the plug from the power source and/or remove the battery pack, if detachable, from the power tool before making any adjustments, changing accessories, or storing power tools.** Such preventive safety measures reduce the risk of starting the power tool accidentally.
4. **Store idle power tools out of the reach of children and do not allow persons unfamiliar with the power tool or these instructions to operate the power tool.** Power tools are dangerous in the hands of untrained users.
5. **Maintain power tools and accessories. Check for misalignment or binding of moving parts, breakage of parts and any other condition that may affect the power tool's operation. If damaged, have the power tool repaired before use.** Many accidents are caused by poorly maintained power tools.
6. **Keep cutting tools sharp and clean.** Properly maintained cutting tools with sharp cutting edges are less likely to bind and are easier to control.
7. **Use the power tool, accessories and tool bits etc. in accordance with these instructions, taking into account the working conditions and the work to be performed.** Use of the power tool for operations different from those intended could result in a hazardous situation.
8. **Keep handles and grasping surfaces dry, clean and free from oil and grease.** Slippery handles and grasping surfaces do not allow for safe handling and control of the tool in unexpected situations.
9. **When using the tool, do not wear cloth work gloves which may be entangled.** The entanglement of cloth work gloves in the moving parts may result in personal injury.

#### Battery tool use and care

1. **Recharge only with the charger specified by the manufacturer.** A charger that is suitable for one type of battery pack may create a risk of fire when used with another battery pack.
2. **Use power tools only with specifically designed battery packs.** Use of any other battery packs may create a risk of injury and fire.
3. **When battery pack is not in use, keep it away from other metal objects, like paper clips, coins, keys, nails, screws or other small metal objects, that can make a connection from one terminal to another.** Shorting the battery terminals together may cause burns or a fire.
4. **Under abusive conditions, liquid may be ejected from the battery; avoid contact. If contact accidentally occurs, flush with water. If liquid contacts eyes, additionally seek medical help.** Liquid ejected from the battery may cause irritation or burns.
5. **Do not use a battery pack or tool that is damaged or modified.** Damaged or modified batteries may exhibit unpredictable behaviour resulting in fire, explosion or risk of injury.
6. **Do not expose a battery pack or tool to fire or excessive temperature.** Exposure to fire or temperature above 130 °C may cause explosion.
7. **Follow all charging instructions and do not charge the battery pack or tool outside the temperature range specified in the instructions.** Charging improperly or at temperatures outside the specified range may damage the battery and increase the risk of fire.

#### Service

1. **Have your power tool serviced by a qualified repair person using only identical replacement parts.** This will ensure that the safety of the power tool is maintained.
2. **Never service damaged battery packs.** Service of battery packs should only be performed by the manufacturer or authorized service providers.
3. **Follow instruction for lubricating and changing accessories.**
4. **Do not modify or attempt to repair the appliance or the battery pack except as indicated in the instructions for use and care.**

### Cordless trimmer safety warnings

1. **Hold power tool by insulated gripping surfaces, because the cutter may contact hidden wiring.** Cutting a "live" wire may make exposed metal parts of the power tool "live" and shock the operator.
2. **Use clamps or another practical way to secure and support the workpiece to a stable platform.** Holding the work by your hand or against the body leaves it unstable and may lead to loss of control.
3. **Wear hearing protection during extended period of operation.**
4. **Handle the trimmer bits very carefully.**
5. **Check the trimmer bit carefully for cracks or damage before operation. Replace cracked or damaged bit immediately.**
6. **Avoid cutting nails. Inspect for and remove all nails from the workpiece before operation.**
7. **Hold the tool firmly.**
8. **Keep hands away from rotating parts.**

9. Make sure the trimmer bit is not contacting the workpiece before the switch is turned on.
10. Before using the tool on an actual workpiece, let it run for a while. Watch for vibration or wobbling that could indicate improperly installed bit.
11. Be careful of the trimmer bit rotating direction and the feed direction.
12. Do not leave the tool running. Operate the tool only when hand-held.
13. Always switch off and wait for the trimmer bit to come to a complete stop before removing the tool from workpiece.
14. Do not touch the trimmer bit immediately after operation; it may be extremely hot and could burn your skin.
15. Do not smear the tool base carelessly with thinner, gasoline, oil or the like. They may cause cracks in the tool base.
16. Use trimmer bits of the correct shank diameter suitable for the speed of the tool.
17. Some material contains chemicals which may be toxic. Take caution to prevent dust inhalation and skin contact. Follow material supplier safety data.
18. Always use the correct dust mask/respirator for the material and application you are working with.
4. If electrolyte gets into your eyes, rinse them out with clear water and seek medical attention right away. It may result in loss of your eyesight.
5. Do not short the battery cartridge:
  - (1) Do not touch the terminals with any conductive material.
  - (2) Avoid storing battery cartridge in a container with other metal objects such as nails, coins, etc.
  - (3) Do not expose battery cartridge to water or rain.


A battery short can cause a large current flow, overheating, possible burns and even a breakdown.
6. Do not store the tool and battery cartridge in locations where the temperature may reach or exceed 50 °C (122 °F).
7. Do not incinerate the battery cartridge even if it is severely damaged or is completely worn out. The battery cartridge can explode in a fire.
8. Be careful not to drop or strike battery.
9. Do not use a damaged battery.
10. The contained lithium-ion batteries are subject to the Dangerous Goods Legislation requirements. For commercial transports e.g. by third parties, forwarding agents, special requirement on packaging and labeling must be observed. For preparation of the item being shipped, consulting an expert for hazardous material is required. Please also observe possibly more detailed national regulations. Tape or mask off open contacts and pack up the battery in such a manner that it cannot move around in the packaging.
11. Follow your local regulations relating to disposal of battery.
12. Use the batteries only with the products specified by Makita. Installing the batteries to non-compliant products may result in a fire, excessive heat, explosion, or leak of electrolyte.

## SAVE THESE INSTRUCTIONS.

**⚠WARNING:** DO NOT let comfort or familiarity with product (gained from repeated use) replace strict adherence to safety rules for the subject product. MISUSE or failure to follow the safety rules stated in this instruction manual may cause serious personal injury.

## Symbols

The followings show the symbols used for tool.

$v$	volts
	direct current
$n_0$	no load speed
... /min r /min	revolutions or reciprocation per minute

## Important safety instructions for battery cartridge

1. Before using battery cartridge, read all instructions and cautionary markings on (1) battery charger, (2) battery, and (3) product using battery.
2. Do not disassemble battery cartridge.
3. If operating time has become excessively shorter, stop operating immediately. It may result in a risk of overheating, possible burns and even an explosion.
1. Charge the battery cartridge before completely discharged. Always stop tool operation and charge the battery cartridge when you notice less tool power.
2. Never recharge a fully charged battery cartridge. Overcharging shortens the battery service life.
3. Charge the battery cartridge with room temperature at 10 °C - 40 °C (50 °F - 104 °F). Let a hot battery cartridge cool down before charging it.
4. Charge the battery cartridge if you do not use it for a long period (more than six months).

## SAVE THESE INSTRUCTIONS.

**⚠CAUTION:** Only use genuine Makita batteries. Use of non-genuine Makita batteries, or batteries that have been altered, may result in the battery bursting causing fires, personal injury and damage. It will also void the Makita warranty for the Makita tool and charger.

## Tips for maintaining maximum battery life

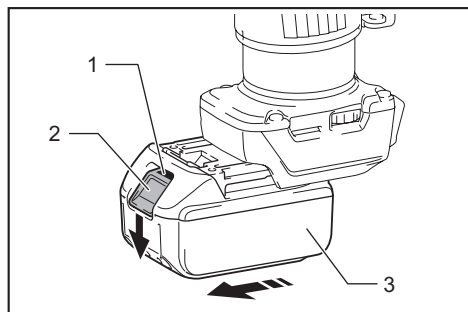
## FUNCTIONAL DESCRIPTION

**CAUTION:** Always be sure that the tool is switched off and the battery cartridge is removed before adjusting or checking function on the tool.

### Installing or removing battery cartridge

**CAUTION:** Always switch off the tool before installing or removing of the battery cartridge.

**CAUTION:** Hold the tool and the battery cartridge firmly when installing or removing battery cartridge. Failure to hold the tool and the battery cartridge firmly may cause them to slip off your hands and result in damage to the tool and battery cartridge and a personal injury.



► 1. Red indicator 2. Button 3. Battery cartridge

To remove the battery cartridge, slide it from the tool while sliding the button on the front of the cartridge.

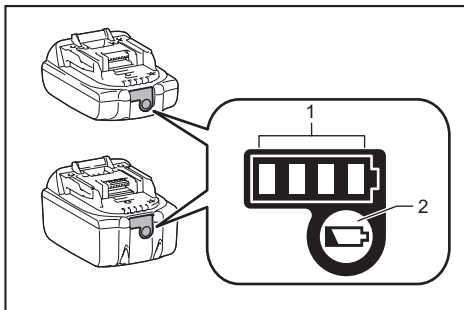
To install the battery cartridge, align the tongue on the battery cartridge with the groove in the housing and slip it into place. Insert it all the way until it locks in place with a little click. If you can see the red indicator on the upper side of the button, it is not locked completely.

**CAUTION:** Always install the battery cartridge fully until the red indicator cannot be seen. If not, it may accidentally fall out of the tool, causing injury to you or someone around you.

**CAUTION:** Do not install the battery cartridge forcibly. If the cartridge does not slide in easily, it is not being inserted correctly.

## Indicating the remaining battery capacity

Only for battery cartridges with the indicator



► 1. Indicator lamps 2. Check button

Press the check button on the battery cartridge to indicate the remaining battery capacity. The indicator lamps light up for a few seconds.

Indicator lamps			Remaining capacity
Lighted	Off	Blinking	
■ ■ ■ ■			75% to 100%
■ ■ ■ □			50% to 75%
■ ■ □ □			25% to 50%
■ □ □ □			0% to 25%
▣ □ □ □			Charge the battery.
■ ■ □ □			The battery may have malfunctioned.
□ □ ■ ■	↑ ↓		

**NOTE:** Depending on the conditions of use and the ambient temperature, the indication may differ slightly from the actual capacity.

## Tool / battery protection system

The tool is equipped with a tool/battery protection system. This system automatically cuts off power to the motor to extend tool and battery life. The tool will automatically stop during operation if the tool or battery is placed under one of the following conditions:

### Overload protection

When the battery is operated in a manner that causes it to draw an abnormally high current, the tool automatically stops without any indication. In this situation, turn the tool off and stop the application that caused the tool to become overloaded. Then turn the tool on to restart.

## Overheat protection

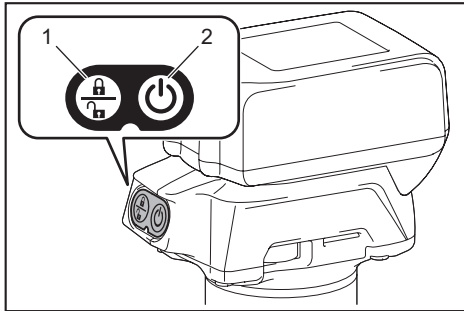
When the tool or battery is overheated, the tool stops automatically and the lamp blinks. In this case, let the tool and battery cool before turning the tool on again.

## Overdischarge protection

When the battery capacity is not enough, the tool stops automatically. In this case, remove the battery from the tool and charge the battery.

### Switch action

To turn on the tool, press the lock/unlock button. The tool turns into the standby mode. To start the tool, press the start/stop button in the standby mode. To stop the tool, press the start/stop button again. The tool turns into the standby mode. To turn off the tool, press the lock/unlock button in the standby mode.



► 1. Lock/unlock button 2. Start/stop button

**NOTE:** If the tool is left for 10 seconds without any operation in the standby mode, the tool automatically turns off and the lamp goes off.

**NOTE:** You can also stop and turn off the tool by pressing the lock/unlock button while the tool is operating.

### Lighting up the front lamp

**CAUTION:** Do not look in the light or see the source of light directly.

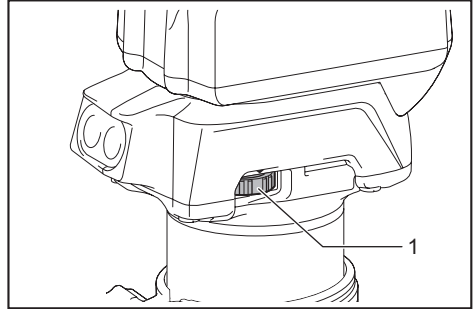
To turn on the lamp, press the lock/unlock button. To turn off the lamp, press the lock/unlock button again.

**NOTICE:** When the tool is overheated, the lamp flickers. Cool down the tool fully before operating the tool again.

**NOTE:** Use a dry cloth to wipe the dirt off the lens of the lamp. Be careful not to scratch the lens of lamp, or it may lower the illumination.

## Speed adjusting dial

The rotation speed of the tool can be changed by turning the speed adjusting dial. The table below shows the number on the dial and the corresponding rotation speed.



► 1. Speed adjusting dial

Number	Speed
1	10,000/min
2	15,000/min
3	20,000/min
4	25,000/min
5	30,000/min

**NOTICE:** If the tool is operated continuously at low speed for a long time, the motor will get overloaded, resulting in tool malfunction.

**NOTICE:** When changing the speed dial from "5" to "1", turn the dial counterclockwise. Do not turn the dial clockwise forcibly.

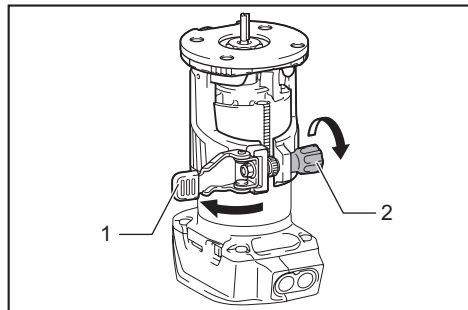
## Electronic function

The tool is equipped with the electronic functions for easy operation.

- Constant speed control  
The speed control function provides the constant rotation speed regardless of load conditions.
- Soft start  
The soft-start function minimizes start-up shock, and makes the tool start smoothly.

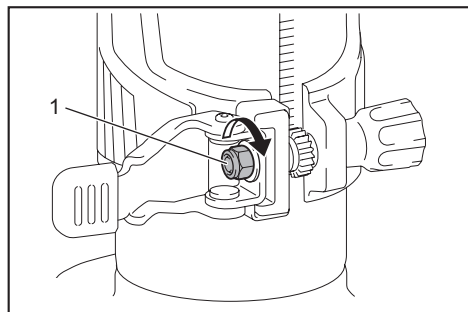
## Adjusting cutting depth

To adjust the cutting depth, open the lock lever, then move the tool base up or down by turning the adjusting screw. After the adjustment, close the lock lever firmly.



► 1. Lock lever 2. Adjusting screw

**NOTICE:** If the tool is not secured after closing the lock lever, tighten the hex nut, and then close the lock lever.

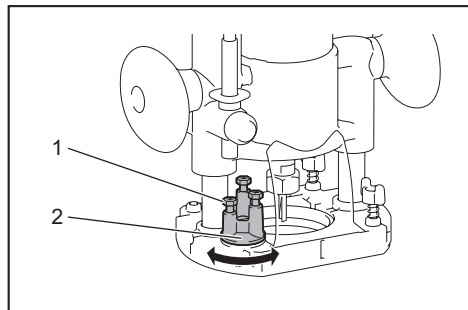


► 1. Hex nut

## Adjusting cutting depth with the plunge base

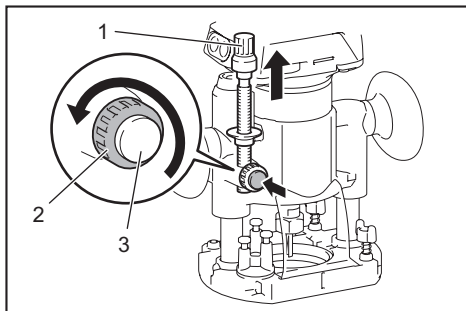
### Optional accessory

1. Place the tool on the flat surface.
2. Select the stopper screw by rotating the stopper base.



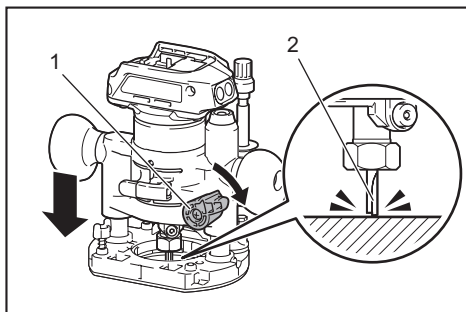
► 1. Stopper screw 2. Stopper base

3. Loosen the stopper pole fixing nut, then pull up the stopper pole while pressing the feed button.



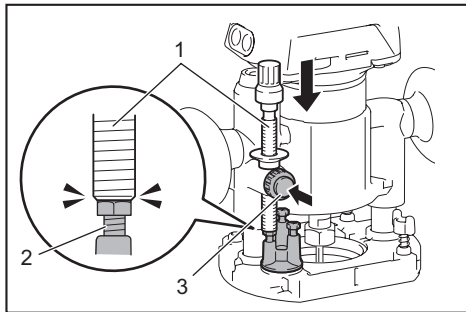
► 1. Stopper pole 2. Fixing nut 3. Feed button

4. Push down the tool until the tip of the trimmer bit touches the flat surface, and then turn the fixing lever to secure the tool.



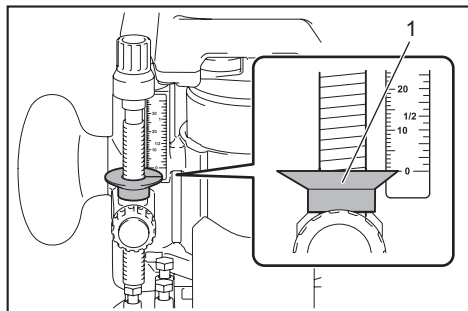
► 1. Fixing lever 2. Trimmer bit

5. Press down the stopper pole while pressing the feed button until it contacts the stopper screw.



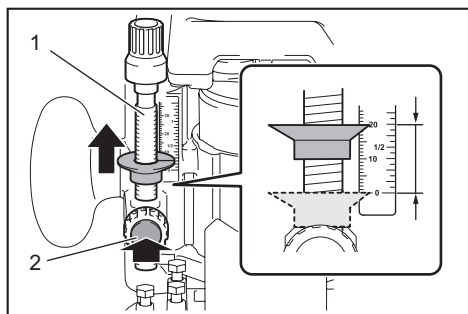
► 1. Stopper pole 2. Stopper screw 3. Feed button

6. Slide the depth pointer so that the pointer indicates "0" on the scale.



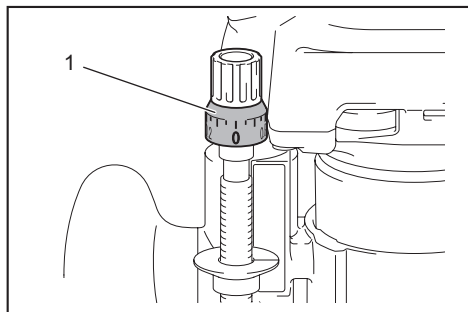
► 1. Depth pointer

7. Adjust the cutting depth by pulling up the stopper pole while pressing the feed button.



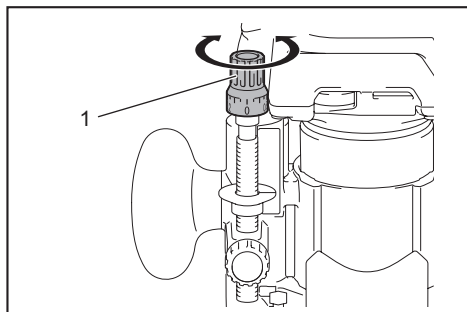
► 1. Stopper pole 2. Feed button

8. To perform fine adjustment of the cutting depth, turn the dial on the stopper pole so that it indicates "0".



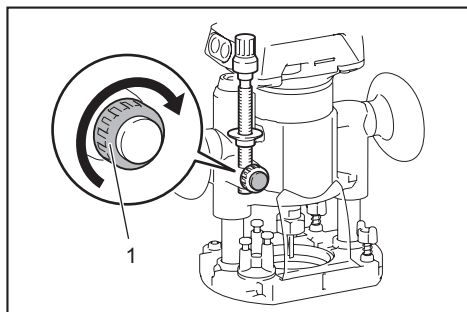
► 1. Dial

9. Turn the head of the stopper pole to obtain the desired depth. To increase the depth, turn the head counterclockwise. To decrease the depth, turn the head clockwise.



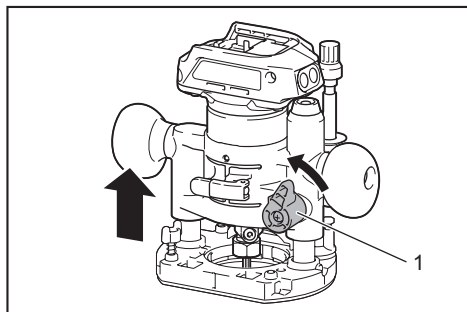
► 1. Head of the stopper pole

10. Tighten the stopper pole fixing nut.



► 1. Fixing nut

11. Release the fixing lever.



► 1. Fixing lever



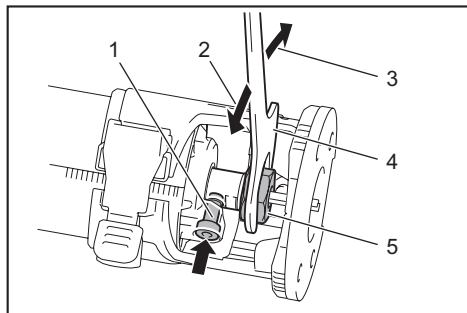
# ASSEMBLY

**CAUTION:** Always be sure that the tool is switched off and the battery cartridge is removed before carrying out any work on the tool.

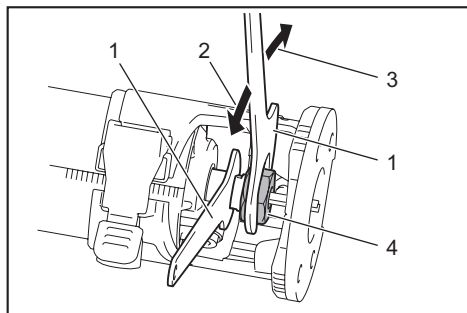
## Installing or removing trimmer bit

**NOTICE:** Do not tighten the collet nut without inserting the bit. The collet cone may break.

Insert the trimmer bit all the way into the collet cone. Press the shaft lock and tighten the collet nut with the wrench or tighten the collet nut securely with the two wrenches. To remove the bit, follow the installation procedure in reverse.

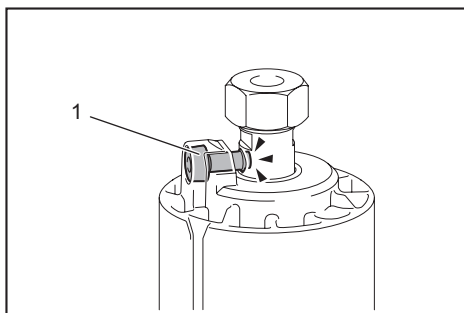


► 1. Shaft lock 2. Loosen 3. Tighten 4. Wrench 5. Collet nut



► 1. Wrench 2. Loosen 3. Tighten 4. Collet nut

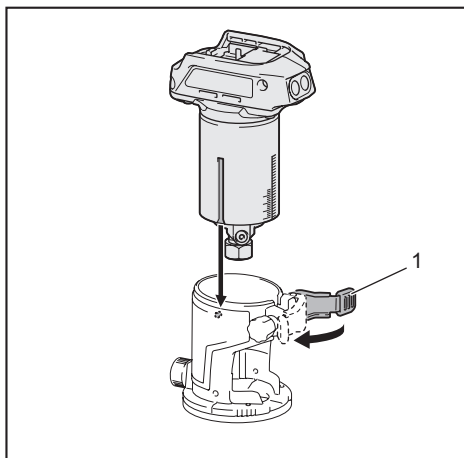
**NOTE:** The shaft lock may not return to the original position when you tighten the collet nut at the installation of the trimmer bit. The shaft lock returns to the original position when you start the tool.



► 1. Shaft lock

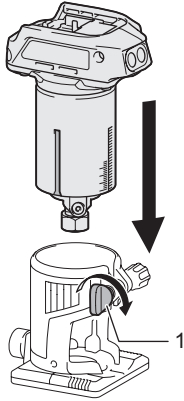
## Installing or removing the trimmer base

1. Open the lock lever of the trimmer base, then insert the tool into the trimmer base aligning the groove on the tool with the protrusion on the trimmer base.



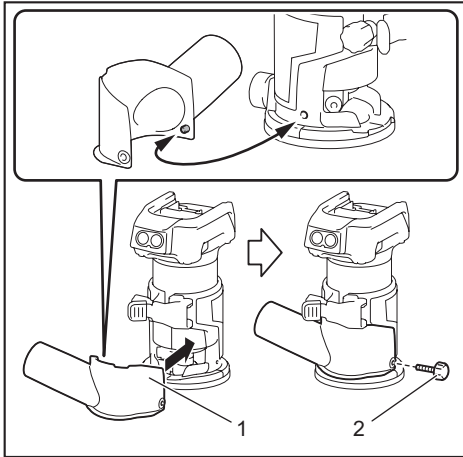
► 1. Lock lever

**NOTE:** You can use the trimmer base (resin) as an optional accessory as shown in the figure. When using the trimmer base (resin), loosen or tighten the thumb nut instead of opening or closing the lock lever.

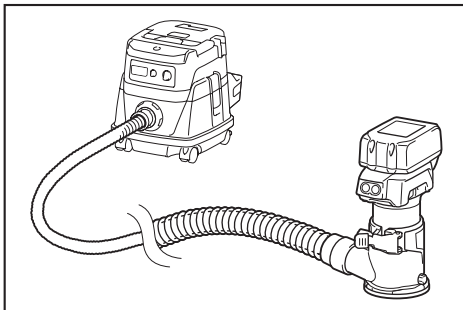


► 1. Thumb nut

2. Close the lock lever.
3. Attach the dust nozzle to the trimmer base, and then tighten the thumb screw.



► 1. Dust nozzle 2. Thumb screw



To remove the base, follow the installation procedure in reverse.

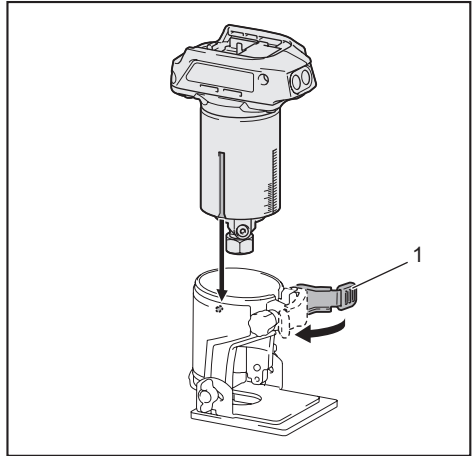
**CAUTION:** When using the tool with the trimmer base, be sure to install the dust nozzle on the trimmer base.

**NOTE:** In some countries, the dust nozzle may not be included in the tool package as standard accessory.

## Installing or removing the tilt base

### Optional accessory

1. Open the lock lever of the tilt base, then insert the tool into the tilt base aligning the groove on the tool with the protrusion on the tilt base.



► 1. Lock lever

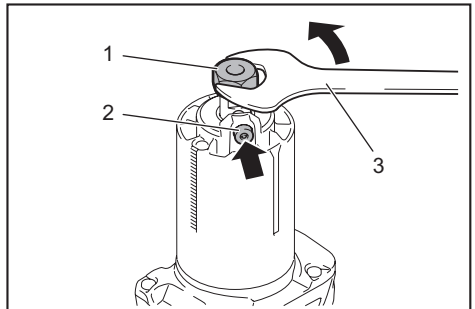
2. Close the lock lever.

To remove the base, follow the installation procedure in reverse.

## Installing or removing the offset base

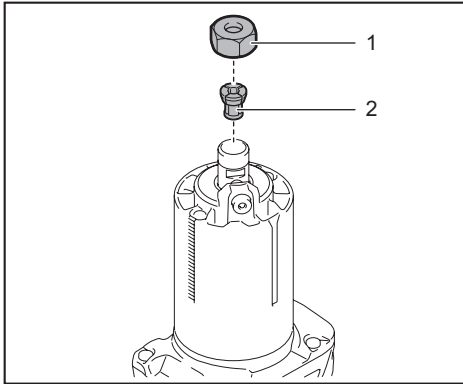
### Optional accessory

1. Press the shaft lock, then loosen the collet nut.



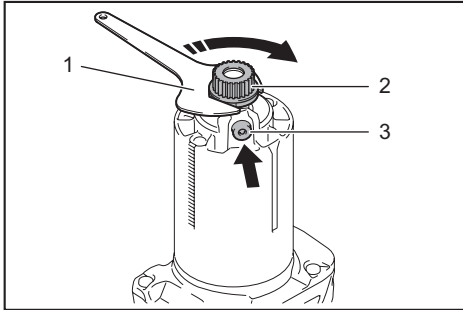
► 1. Collet nut 2. Shaft lock 3. Wrench

2. Remove the collet nut and the collet cone.



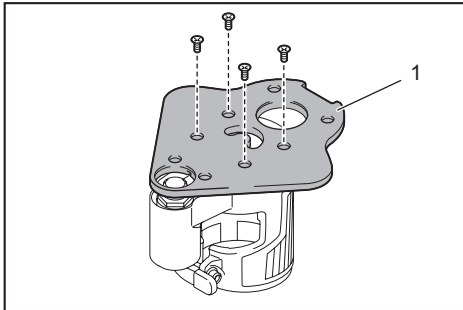
► 1. Collet nut 2. Collet cone

3. Install the pulley on the tool by pressing the shaft lock and tightening the pulley with the wrench.



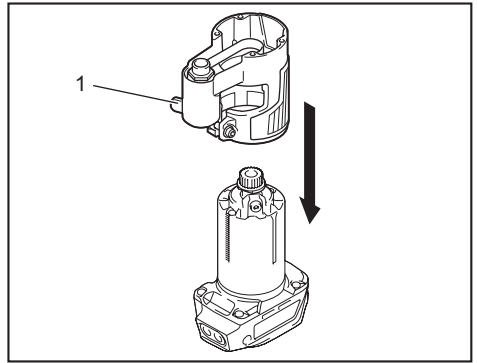
► 1. Wrench 2. Pulley 3. Shaft lock

4. Loosen the screws on the base plate, and then remove the base plate.



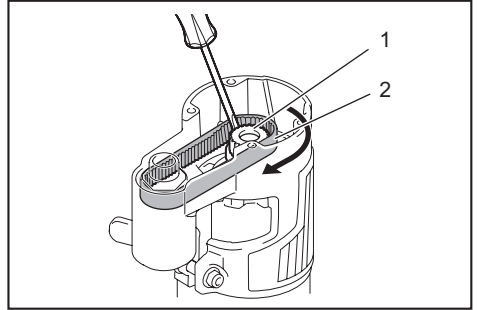
► 1. Base plate

5. Open the lock lever of the offset base, then insert the tool into the offset base.



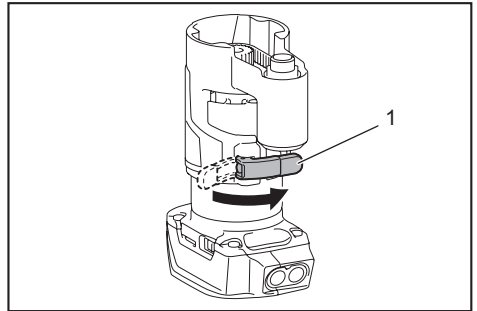
► 1. Lock lever

6. Mount the belt to the pulley by rotating the belt manually.



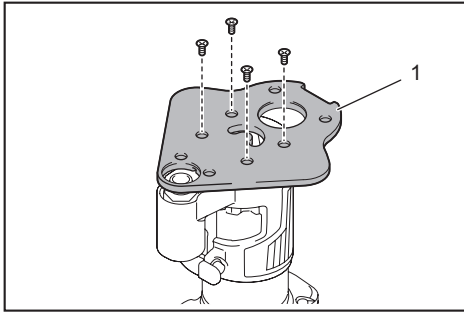
► 1. Pulley 2. Belt

7. Close the lock lever.



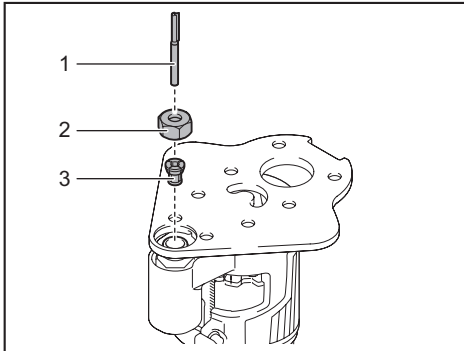
► 1. Lock lever

8. Attach the base plate by tightening the screws.



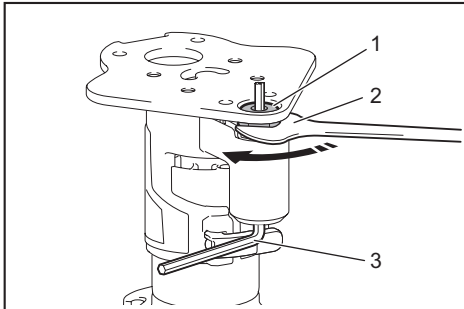
- 1. Base plate

9. Insert the collet cone and the trimmer bit into the offset base, and then tighten the collet nut.



- 1. Trimmer bit 2. Collet nut 3. Collet cone

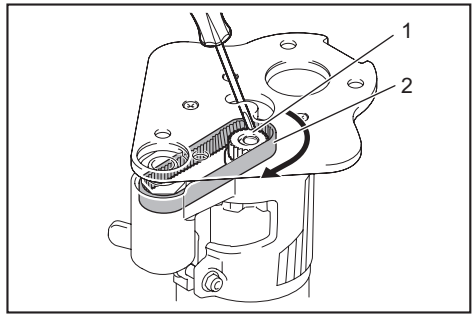
10. Insert the hex wrench into the hole of the offset base, and then tighten the collet nut with the wrench.



- 1. Collet nut 2. Wrench 3. Hex wrench

To remove the base, follow the installation procedure in reverse.

**NOTE:** You can also mount the belt to the pulley without removing the base plate as shown in the figure.

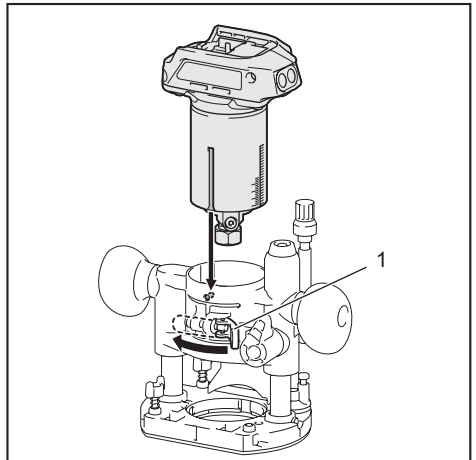


- 1. Pulley 2. Belt

## Installing or removing the plunge base

### Optional accessory

1. Open the lock lever of the plunge base, then insert the tool into the plunge base all the way aligning the groove on the tool with the protrusion on the plunge base.



- 1. Lock lever

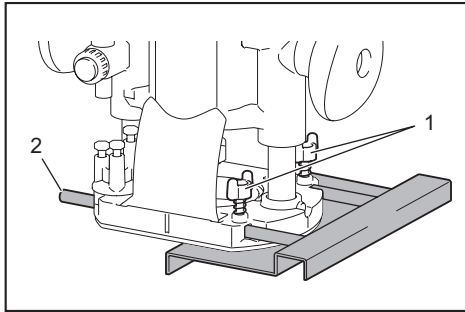
2. Close the lock lever.

To remove the base, follow the installation procedure in reverse.

## Installing or removing the parallel ruler on the plunge base

### Optional accessory

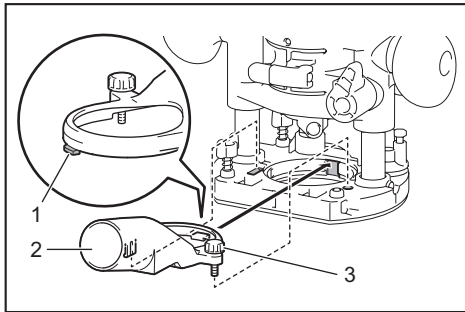
Insert the guide bars into the holes in the plunge base, and then tighten the wing bolts. To remove the ruler, follow the installation procedure in reverse.



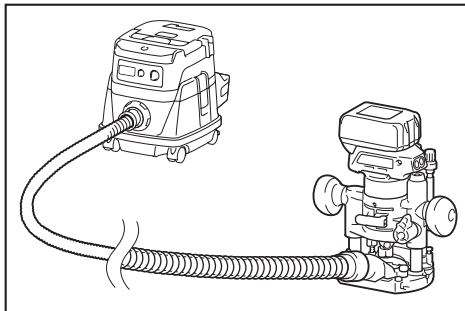
► 1. Wing bolt 2. Guide bar

## Installing or removing the dust nozzle on the plunge base

Insert the dust nozzle into the plunge base so that the protrusion on the dust nozzle fits in the notch in the plunge base, and then tighten the thumb screw on the dust nozzle. To remove the nozzle, follow the installation procedure in reverse.



► 1. Protrusion 2. Dust nozzle 3. Thumb screw

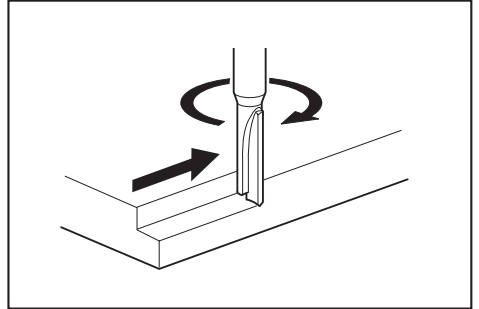


## OPERATION

### Using the tool with the trimmer base

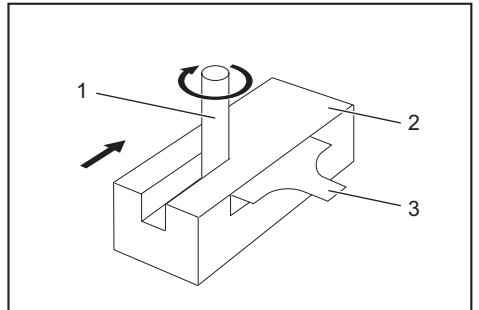
Set the tool base on the workpiece without the trimmer bit making any contact. Turn the tool on and wait until the bit attains full speed. Move the tool forward over the workpiece surface. Keep the tool base flush while moving the tool.

When cutting the edge, be sure to keep the workpiece surface on the left side of the trimmer bit in the feed direction.



**NOTE:** Before cutting on the actual workpiece, it is recommended to make a sample cut. The proper feed speed depends on the bit size, the kind of workpiece, and depth of cut. Moving the tool forward too fast may cause a poor quality of cut, or damage to the bit or motor. Moving the tool forward too slowly may burn and mar the cut.

When using the trimmer shoe, the straight guide, or the trimmer guide, be sure to keep it on the right side in the feed direction. This will help to keep it flush with the side of the workpiece.



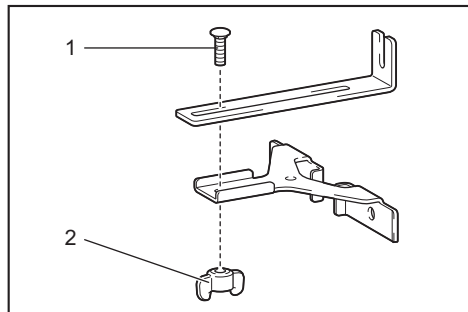
► 1. Trimmer bit 2. Workpiece 3. Straight guide

**NOTICE:** Since excessive cutting may cause overload of the motor or difficulty in controlling the tool, the depth of cut should not be more than 3 mm (1/8") at a pass when cutting grooves. When you wish to cut grooves more than 3 mm (1/8") deep, make several passes with progressively deeper bit settings.

## Using the straight guide

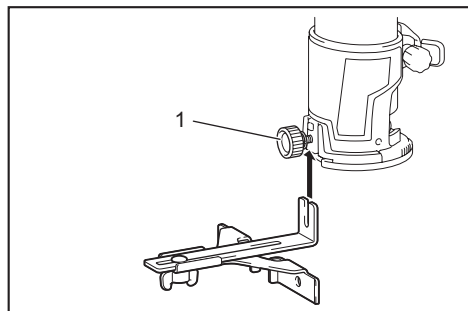
### Optional accessory

1. Assemble the straight guide with the bolt and the wing nut.



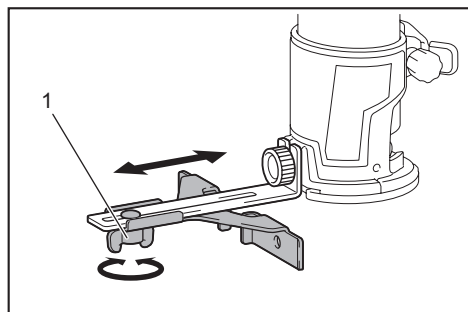
► 1. Bolt 2. Wing nut

2. Attach the straight guide to the trimmer base with the clamp screw.



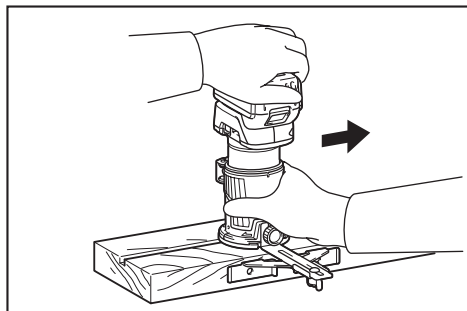
► 1. Clamp screw

3. Loosen the wing nut on the straight guide and adjust the distance between the bit and the straight guide. At the desired distance, tighten the wing nut.



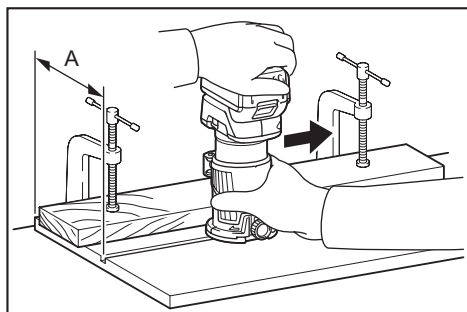
► 1. Wing nut

4. Move the tool with the straight guide flush with the side of the workpiece.



If the distance (A) between the side of the workpiece and the cutting position is too wide for the straight guide, or if the side of the workpiece is not straight, the straight guide cannot be used.

In this case, firmly clamp a straight board to the workpiece and use it as a guide against the trimmer base. Feed the tool in the direction of the arrow.

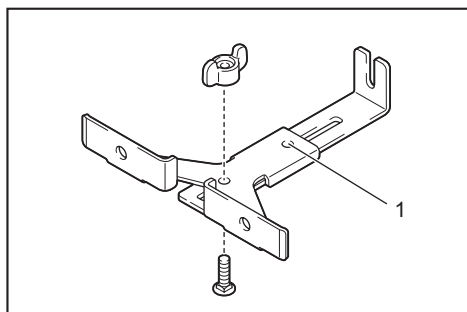


## Using the straight guide for circular work

For circular work, assemble the straight guide as shown in the figures. The minimum and maximum radius of circles to be cut (distance between the center of circle and the center of bit) are as follows:

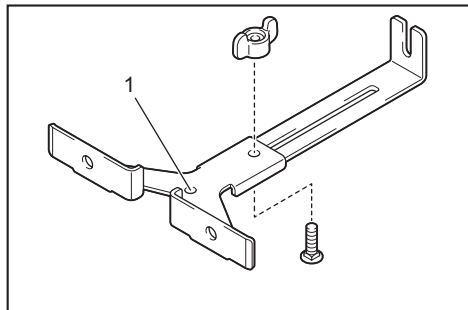
- Minimum: 70 mm (2-3/4")
- Maximum: 221 mm (8-11/16")

For cutting circles between 70 mm (2-3/4") and 121 mm (4-3/4") in radius.



► 1. Center hole

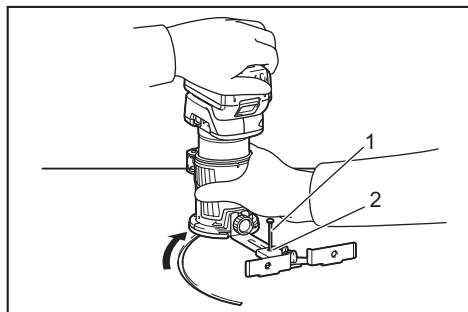
For cutting circles between 121 mm (4-3/4") and 221 mm (8-11/16") in radius.



► 1. Center hole

**NOTE:** Circles between 172 mm (6-3/4") and 186 mm (7-5/16") in radius cannot be cut using this guide.

Align the center hole in the straight guide with the center of the circle to be cut. Drive a nail less than 6 mm (1/4") in diameter into the center hole to secure the straight guide. Pivot the tool around the nail in the clockwise direction.



► 1. Nail 2. Center hole

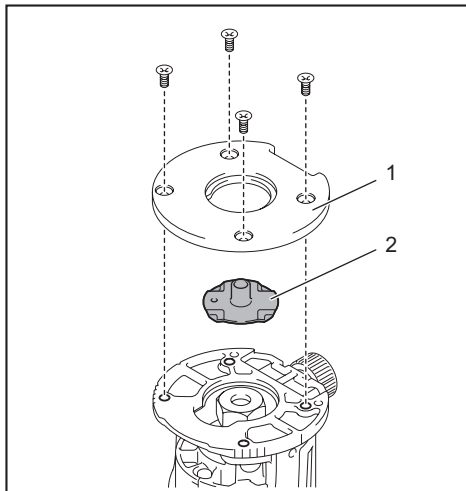
## Using the templet guide

### Optional accessory

The templet guide allows for repetitive cut with templet patterns by using a templet.

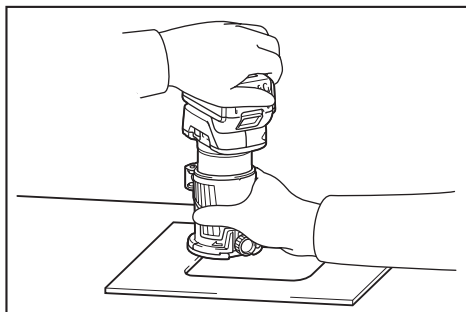
1. Loosen the screws on the base plate, and then remove the base plate from the trimmer base.

2. Place the templet guide on the base, and then attach the base plate by tightening the screws.



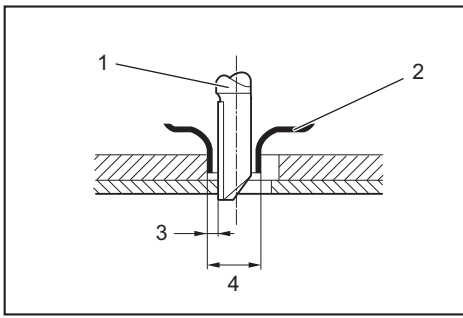
► 1. Base plate 2. Templet guide

3. Place the tool on the templet and move the tool with the templet guide sliding along the side of the templet.



**NOTE:** The actual cut size on the workpiece is slightly different from the templet. The difference is the distance (X) between the trimmer bit and the outside of the templet guide. The distance (X) can be calculated by using the following equation:

Distance (X) = (outside diameter of templet guide - trimmer bit diameter) / 2

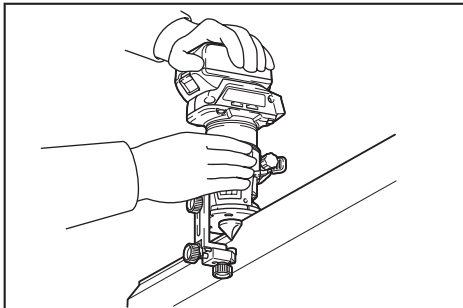


- ▶ 1. Trimmer bit 2. Templet guide 3. Distance (X)
- 4. Outside diameter of templet guide

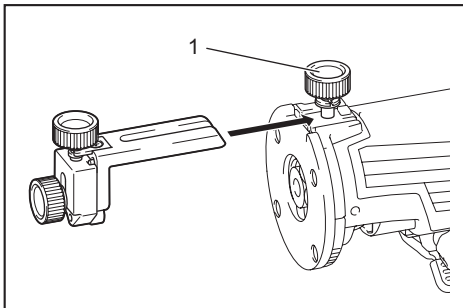
## Using the trimmer guide

### Optional accessory

The trimmer guide allows for trimming curved side like veneers for furniture by moving the guide roller along the side of the workpiece.

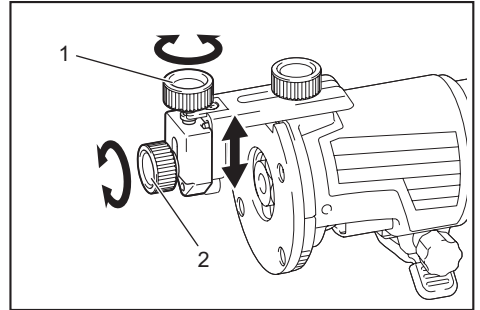


- 1. Loosen the clamp screw, then install the trimmer guide on the trimmer base, and then tighten the clamp screw.



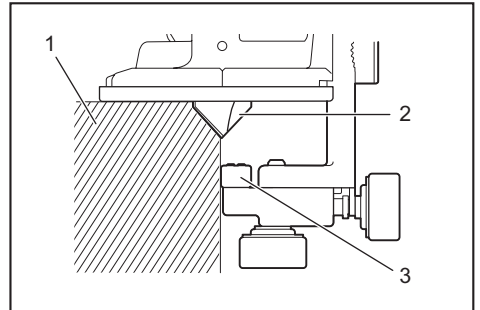
- ▶ 1. Clamp screw

- 2. Loosen the clamp screw and adjust the distance between the trimmer bit and the trimmer guide by turning the adjusting screw (1 mm (3/64") per turn). At the desired distance, tighten the clamp screw to secure the trimmer guide.



- ▶ 1. Adjusting screw 2. Clamp screw

- 3. Move the tool with the guide roller riding the side of the workpiece.

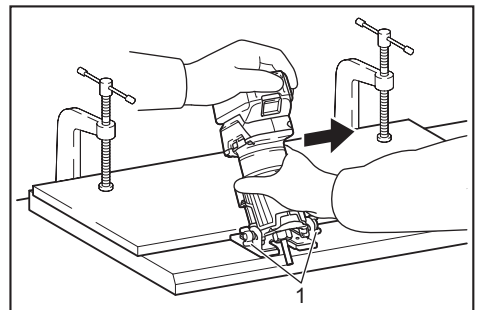


- ▶ 1. Workpiece 2. Bit 3. Guide roller

## Using the tool with the tilt base

The tilt base is convenient for chamfering. Loosen the wing screws, then tilt the tool at the desired angle, and then tighten the wing screws.

Firmly clamp a straight board to the workpiece and use it as a guide against the tilt base. Feed the tool in the direction of the arrow.

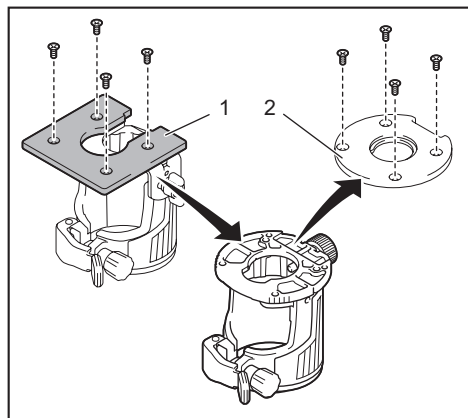


- ▶ 1. Wing screw



## Using the tilt base plate with the trimmer base

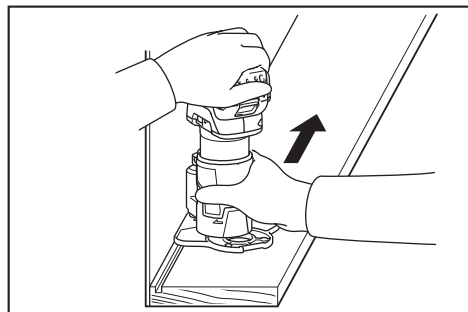
To use the trimmer base with a square base plate, remove the base plate from the tilt base, and then attach it to the trimmer base.



► 1. Tilt base plate 2. Trimmer base plate

## Using the tool with the offset base

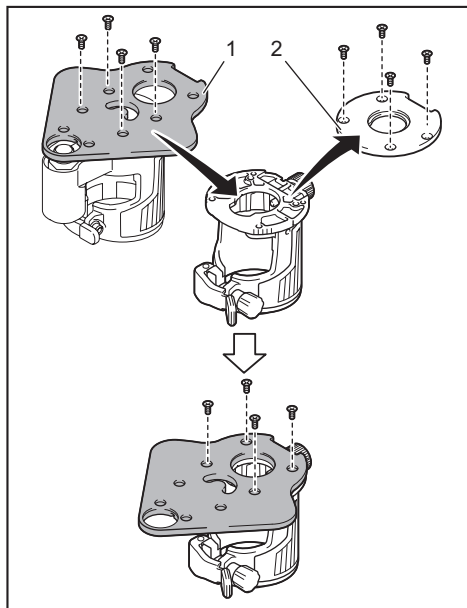
The offset base is convenient for work in a tight area such as a corner.



## Using the trimmer base with the offset base plate and grip

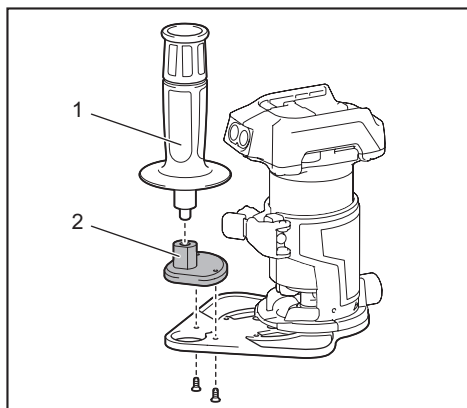
The offset base plate can also be used with a trimmer base and a grip attachment (optional accessory) for more stability.

1. Loosen the screws on the base plate, then remove the base plate from the offset base.



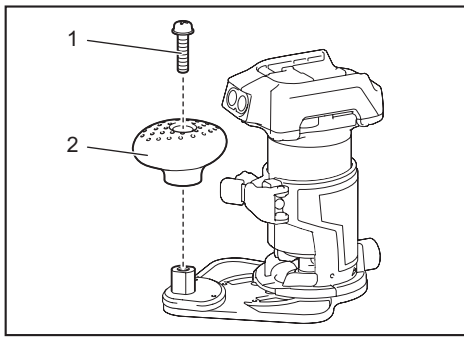
► 1. Offset base plate 2. Trimmer base plate

2. Attach the offset base plate to the trimmer base by tightening the screws.
3. Attach the grip attachment and the bar type grip to the offset base plate by tightening the screws.



► 1. Bar type grip 2. Grip attachment

The knob type grip removed from the plunge base can be installed on the offset base instead of the bar type grip.



- 1. Screw 2. Knob type grip

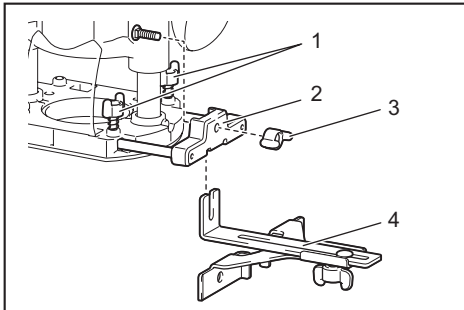
## Using the tool with the plunge base

Always hold the grips firmly with both hands during operation. Operate the tool in the same way as the trimmer base.

## Using the straight guide

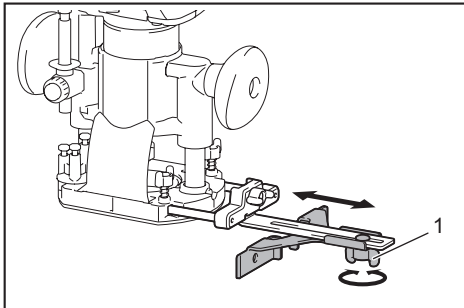
### Optional accessory

1. Install the straight guide to the guide holder by tightening the wing nut. Insert the guide holder into the holes in the plunge base, and then tighten the wing bolts.



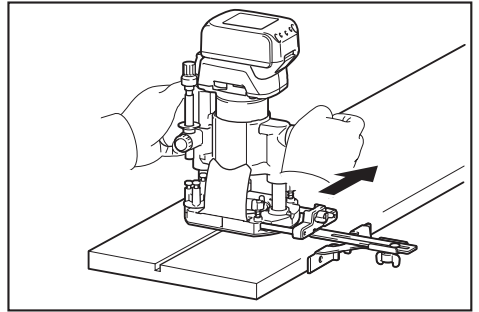
- 1. Wing bolt 2. Guide holder 3. Wing nut 4. Straight guide

2. Loosen the wing nut on the straight guide and adjust the distance between the bit and the straight guide. At the desired distance, tighten the wing nut.



- 1. Wing nut

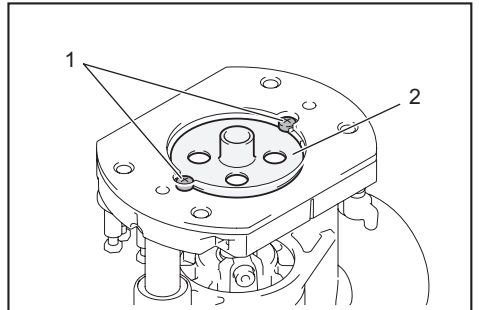
3. Operate the tool in the same way as the straight guide for the trimmer base.



## Using the templet guide

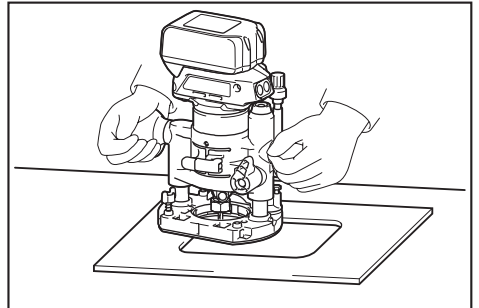
### Optional accessory

1. Loosen the screws on the base and remove them. Place the templet guide on the base, and then tighten the screws.



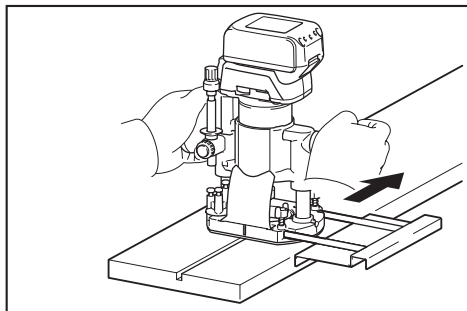
- 1. Screw 2. Templet guide

2. Operate the tool in the same way as the templet guide for the trimmer base.



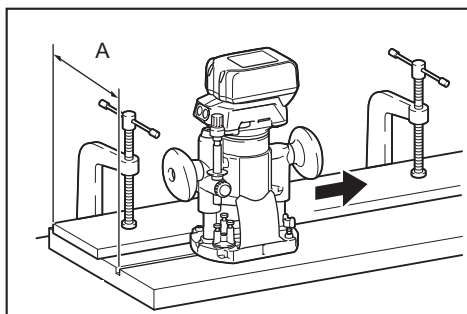
## Using the parallel ruler

The parallel ruler is effectively used for straight cuts when chamfering or grooving. Adjust the distance between the bit and the parallel ruler. At the desired distance, tighten the wing bolts to secure the parallel ruler. When cutting, move the tool with the parallel ruler flush with the side of the workpiece.



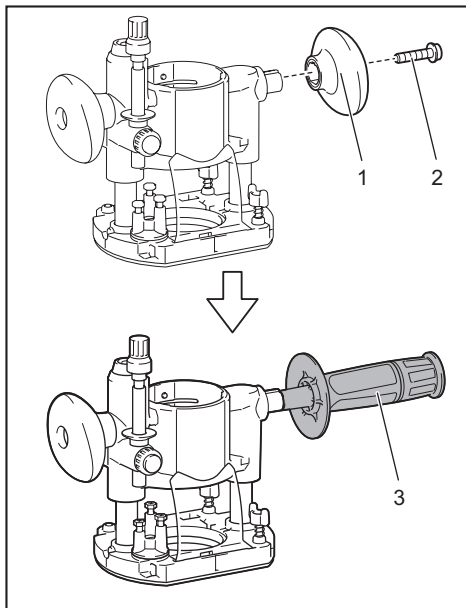
If the distance (A) between the side of the workpiece and the cutting position is too wide for the parallel ruler, or if the side of the workpiece is not straight, the parallel ruler cannot be used.

In this case, firmly clamp a straight board to the workpiece and use it as a guide against the plunge base. Feed the tool in the direction of the arrow.



## Changing knob type grip to bar type grip

To install the bar type grip on the plunge base, loosen the screw of the knob type grip, then remove the knob type grip, and then install the bar type grip by tightening it.



► 1. Knob type grip 2. Screw 3. Bar type grip

## MAINTENANCE

**CAUTION:** Always be sure that the tool is switched off and the battery cartridge is removed before attempting to perform inspection or maintenance.

**NOTICE:** Never use gasoline, benzine, thinner, alcohol or the like. Discoloration, deformation or cracks may result.

To maintain product SAFETY and RELIABILITY, repairs, any other maintenance or adjustment should be performed by Makita Authorized or Factory Service Centers, always using Makita replacement parts.

# OPTIONAL ACCESSORIES

**⚠ CAUTION:** These accessories or attachments are recommended for use with your Makita tool specified in this manual. The use of any other accessories or attachments might present a risk of injury to persons. Only use accessory or attachment for its stated purpose.

If you need any assistance for more details regarding these accessories, ask your local Makita Service Center.

- Straight and groove forming bits
- Edge forming bits
- Laminate trimming bits
- Straight guide assembly
- Trimmer guide assembly
- Trimmer base assembly
- Trimmer base assembly (resin)
- Tilt base assembly
- Plunge base assembly
- Offset base assembly
- Grip attachment
- Templet guide
- Collet cone 1/4"
- Collet cone 3/8"
- Wrench 13
- Wrench 22
- Makita genuine battery and charger

**NOTE:** Some items in the list may be included in the tool package as standard accessories. They may differ from country to country.

## MAKITA LIMITED ONE YEAR WARRANTY

### Warranty Policy

Every Makita tool is thoroughly inspected and tested before leaving the factory. It is warranted to be free of defects from workmanship and materials for the period of ONE YEAR from the date of original purchase.

Should any trouble develop during this one year period, return the COMPLETE tool, freight prepaid, to one of Makita's Factory or Authorized Service Centers. If inspection shows the trouble is caused by defective workmanship or material, Makita will repair (or at our option, replace) without charge.

This Warranty does not apply where:

- repairs have been made or attempted by others:
- repairs are required because of normal wear and tear:
- the tool has been abused, misused or improperly maintained:
- alterations have been made to the tool.

IN NO EVENT SHALL MAKITA BE LIABLE FOR ANY INDIRECT, INCIDENTAL OR CONSEQUENTIAL DAMAGES FROM THE SALE OR USE OF THE PRODUCT. THIS DISCLAIMER APPLIES BOTH DURING AND AFTER THE TERM OF THIS WARRANTY.

MAKITA DISCLAIMS LIABILITY FOR ANY IMPLIED WARRANTIES, INCLUDING IMPLIED WARRANTIES OF "MERCHANTABILITY" AND "FITNESS FOR A SPECIFIC PURPOSE," AFTER THE ONE YEAR TERM OF THIS WARRANTY.

This Warranty gives you specific legal rights, and you may also have other rights which vary from state to state. Some states do not allow the exclusion or limitation of incidental or consequential damages, so the above limitation or exclusion may not apply to you. Some states do not allow limitation on how long an implied warranty lasts, so the above limitation may not apply to you.

## SPÉCIFICATIONS

Modèle :	DRT50
Capacité du mandrin à pince	1/4" ou 3/8"
Vitesse à vide	10 000 - 30 000 /min
Longueur totale	226 mm (8-7/8")
Tension nominale	C.C. 18 V
Batterie standard	BL1815N / BL1820B / BL1830 / BL1830B / BL1840B / BL1850B / BL1860B
Poids net	1,8 - 2,1 kg (3,9 - 4,6 lbs)

- Étant donné l'évolution constante de notre programme de recherche et développement, les spécifications contenues dans ce manuel sont sujettes à modification sans préavis.
- Les spécifications et la batterie peuvent varier suivant les pays.
- Le poids peut varier selon les accessoires, y compris la batterie. La plus légère et la plus lourde combinaisons, selon la procédure EPTA 01/2014, sont indiquées dans le tableau.

## CONSIGNES DE SÉCURITÉ

### Consignes de sécurité générales pour outils électriques

**⚠ MISE EN GARDE :** Lisez toutes les mises en garde, instructions, illustrations et spécifications qui accompagnent cet outil électrique. Il y a un risque de décharge électrique, d'incendie et/ou de blessure grave si les instructions ci-dessous ne sont pas toutes respectées.

### Conservez toutes les mises en garde et instructions pour référence future.

Le terme « outil électrique » qui figure dans les avertissements fait référence à un outil électrique branché sur une prise de courant (par un cordon d'alimentation) ou alimenté par batterie (sans fil).

#### Sécurité de la zone de travail

1. **Maintenez la zone de travail propre et bien éclairée.** Les zones de travail encombrées ou sombres ouvrent grande la porte aux accidents.
2. **N'utilisez pas les outils électriques dans les atmosphères explosives, par exemple en présence de liquides, gaz ou poussières inflammables.** Les outils électriques produisent des étincelles au contact desquelles la poussière ou les vapeurs peuvent s'enflammer.
3. **Assurez-vous qu'aucun enfant ou curieux ne s'approche pendant que vous utilisez un outil électrique.** Vous risquez de perdre la maîtrise de l'outil si votre attention est détournée.

#### Sécurité en matière d'électricité

1. **Les fiches d'outil électrique sont conçues pour s'adapter parfaitement aux prises de courant. Ne modifiez jamais la fiche de quelque façon que ce soit. N'utilisez aucun adaptateur de fiche sur les outils électriques avec mise à la terre.** En ne modifiant pas les fiches et en les insérant dans des prises de courant pour lesquelles elles ont été conçues, vous réduirez les risques de choc électrique.

2. **Évitez tout contact corporel avec les surfaces mises à la terre, telles que tuyaux, radiateurs, cuisinières et réfrigérateurs.** Le risque de choc électrique est plus élevé si votre corps se trouve mis à la terre.
3. **N'exposez pas les outils électriques à la pluie ou à l'eau.** La présence d'eau dans un outil électrique augmente le risque de choc électrique.
4. **Ne maltraitez pas le cordon. N'utilisez jamais le cordon pour transporter, tirer ou débrancher l'outil électrique. Maintenez le cordon à l'écart des sources de chaleur, de l'huile, des objets à bords tranchants et des pièces en mouvement.** Le risque de choc électrique est plus élevé lorsque les cordons sont endommagés ou enchevêtrés.
5. **Lorsque vous utilisez un outil électrique à l'extérieur, utilisez un cordon prolongateur conçu pour l'usage extérieur.** Les risques de choc électrique est moindre lorsqu'un cordon conçu pour l'usage extérieur est utilisé.
6. **Si vous devez utiliser un outil électrique dans un endroit humide, utilisez une source d'alimentation protégée par un disjoncteur de fuite à la terre.** L'utilisation d'un disjoncteur de fuite à la terre réduit le risque de choc électrique.
7. **Les outils électriques peuvent produire des champs électromagnétiques (CEM) qui ne sont pas préjudiciables à l'utilisateur.** Les utilisateurs de stimulateur cardiaque ou autres appareils médicaux similaires doivent toutefois demander conseil au fabricant et/ou à leur médecin avant d'utiliser cet outil électrique.

#### Sécurité personnelle

1. **Restez alerte, attentif à vos mouvements et faites preuve de bon sens lorsque vous utilisez un outil électrique. N'utilisez pas les outils électriques si vous êtes fatigué ou avez pris une drogue, de l'alcool ou un médicament.** Un moment d'inattention pendant l'utilisation d'un outil électrique peut entraîner une grave blessure.
2. **Portez des dispositifs de protection personnelle. Portez toujours une protection oculaire.** Les risques de blessure seront moins élevés si vous utilisez des dispositifs de protection tels qu'un masque anti-poussière, des chaussures à semelle antidérapante, une coiffure résistante ou une protection d'oreilles.

3. **Évitez les démarrages accidentels. Assurez-vous que l'interrupteur est en position d'arrêt avant de brancher l'outil à la prise de courant et/ou au bloc-piles, et avant de prendre ou de transporter l'outil.** Vous ouvrez la porte aux accidents si vous transportez les outils électriques avec le doigt sur l'interrupteur ou si vous les branchez alors que l'interrupteur est en position de marche.
4. **Retirez toute clé de réglage ou de serrage avant de mettre l'outil électrique sous tension.** Toute clé laissée en place sur une pièce rotative de l'outil électrique peut entraîner une blessure.
5. **Ne vous étirez pas exagérément. Assurez-vous d'une bonne prise au sol et d'un bon équilibre en tout temps.** Cela vous permettra d'avoir une meilleure maîtrise de l'outil électrique dans les situations imprévues.
6. **Portez des vêtements adéquats. Ne portez ni vêtements amples ni bijoux. Gardez vos cheveux, vêtements et gants à l'écart des pièces en mouvement.** Les vêtements amples, bijoux ou cheveux longs peuvent être happés par les pièces en mouvement.
7. **Si des accessoires sont fournis pour raccorder un appareil d'aspiration et de collecte de la poussière, assurez-vous qu'ils sont correctement raccordés et qu'ils sont utilisés de manière adéquate.** L'utilisation d'un appareil de collecte permet de réduire les risques liés à la présence de poussière dans l'air.
8. **Évitez d'être complaisant et d'ignorer les principes de sécurité de l'outil en raison de la familiarité acquise par un usage fréquent des outils.** Un geste imprudent peut entraîner une grave blessure en une fraction de seconde.
9. **Portez toujours des lunettes à coques de protection pour protéger vos yeux contre les blessures lors de l'utilisation d'outils électriques. Les lunettes à coques doivent être conformes à ANSI Z87.1 aux États-Unis.** L'employeur a la responsabilité d'imposer l'utilisation d'équipements de protection de sécurité adéquats aux utilisateurs des outils électriques et à toute autre personne se trouvant dans la zone de travail immédiate.
4. **Après l'utilisation d'un outil électrique, rangez-le hors de portée des enfants et ne laissez aucune personne l'utiliser si elle n'est pas familiarisée avec l'outil électrique ou les présentes instructions d'utilisation.** Les outils électriques représentent un danger entre les mains de personnes qui n'en connaissent pas le mode d'utilisation.
5. **Effectuez l'entretien des outils électriques et des accessoires. Assurez-vous que les pièces mobiles ne sont pas désalignées ou coincées, qu'aucune pièce n'est cassée et que l'outil électrique n'a subi aucun dommage affectant son bon fonctionnement. Le cas échéant, faites réparer l'outil électrique avant de l'utiliser.** De nombreux accidents sont causés par des outils électriques mal entretenus.
6. **Maintenez les outils tranchants bien aiguisés et propres.** Un outil tranchant dont l'entretien est effectué correctement et dont les bords sont bien aiguisés risquera moins de se coincer et sera plus facile à maîtriser.
7. **Utilisez l'outil électrique, ses accessoires, ses embouts, etc., en respectant les présentes instructions, en tenant compte des conditions de travail et du type de travail à effectuer.** L'utilisation d'un outil électrique pour d'autres usages que ceux prévus peut entraîner une situation dangereuse.
8. **Gardez les poignées et surfaces de saisie sèches, propres et exemptes d'huile et de graisse.** Les poignées et surfaces de saisie glissantes ne permettent pas une manipulation sûre et une bonne maîtrise de l'outil dans les situations inattendues.
9. **Lors de l'utilisation de l'outil, ne portez pas de gants de travail en tissu qui risquent de s'enchevêtrer dans l'outil.** L'enchevêtrement de gants de travail en tissu dans les pièces en mouvement peut entraîner une blessure.

#### Utilisation et entretien des outils alimentés par batterie

#### Utilisation et entretien des outils électriques

1. **Ne forcez pas l'outil électrique. Utilisez l'outil électrique adéquat suivant le type de travail à effectuer.** Si vous utilisez l'outil électrique adéquat et respectez le régime pour lequel il a été conçu, il effectuera un travail de meilleure qualité et plus sécuritaire.
2. **N'utilisez pas l'outil électrique s'il n'est pas possible de l'allumer et de l'éteindre avec son interrupteur.** Un outil électrique dont l'interrupteur est défectueux représente un danger et doit être réparé.
3. **Avant d'effectuer tout réglage, de remplacer un accessoire ou de ranger l'outil électrique, débranchez la fiche de la source d'alimentation et/ou retirez la batterie de l'outil électrique si elle est amovible.** Ces mesures préventives de sécurité réduisent les risques de démarrage accidentel de l'outil électrique.
1. **Pour recharger, utilisez uniquement le chargeur spécifié par le fabricant.** L'utilisation d'un chargeur conçu pour un type donné de bloc-piles comporte un risque d'incendie lorsqu'il est utilisé avec un autre type de bloc-piles.
2. **N'utilisez un outil électrique qu'avec le bloc-piles conçu spécifiquement pour cet outil.** Il y a risque de blessure ou d'incendie si un autre bloc-piles est utilisé.
3. **Lorsque vous n'utilisez pas le bloc-piles, rangez-le à l'écart des objets métalliques tels que trombones, pièces de monnaie, clés, clous, vis ou autres petits objets métalliques qui risqueraient d'établir une connexion entre les bornes.** La mise en court-circuit des bornes de batterie peut causer des brûlures ou un incendie.
4. **Dans des conditions d'utilisation inadéquates de la batterie, il peut y avoir fuite d'électrolyte; évitez tout contact avec ce liquide.** En cas de contact accidentel, rincez avec beaucoup d'eau. Si le liquide pénètre dans vos yeux, il faut aussi consulter un médecin. L'électrolyte qui s'échappe de la batterie peut causer des irritations ou des brûlures.

5. **N'utilisez pas une batterie ou un outil s'il est endommagé ou modifié.** Les batteries endommagées ou modifiées peuvent avoir un comportement imprévisible dont peut résulter un incendie, une explosion ou un risque de blessure.
6. **N'exposez pas une batterie ou un outil au feu ou à une température excessive.** L'exposition au feu ou à une température supérieure à 130 °C peut entraîner une explosion.
7. **Suivez toutes les instructions de charge et ne chargez pas la batterie ou l'outil à l'extérieur de la plage de température spécifiée dans les instructions.** Charger de manière inadéquate ou à des températures hors de la plage spécifiée peut endommager la batterie et augmenter le risque d'incendie.
9. **Avant d'allumer l'outil, assurez-vous que l'embout pour affleureuse ne touche pas la pièce à travailler.**
10. **Avant d'utiliser l'outil sur la pièce à travailler, laissez-le tourner un instant. Vérifiez l'absence de vibrations ou d'oscillations, car ces symptômes peuvent indiquer que l'embout est mal installé.**
11. **Observez bien le sens de rotation de l'embout pour affleureuse, et le sens de progression.**
12. **Ne quittez pas l'outil pendant qu'il tourne. N'utilisez l'outil qu'une fois que vous l'avez bien en main.**
13. **Avant de retirer l'outil de la pièce à travailler, éteignez-le toujours et attendez l'arrêt complet de l'embout pour affleureuse.**

## Réparation

1. **Faites réparer votre outil électrique par un réparateur qualifié qui utilise des pièces de rechange identiques aux pièces d'origine.** Le maintien de la sûreté de l'outil électrique sera ainsi assuré.
2. **N'essayez jamais de réparer les batteries endommagées.** La réparation des batteries ne doit être effectuée que par le fabricant ou par un fournisseur de service après-vente agréé.
3. **Suivez les instructions de lubrification et de remplacement des accessoires.**
4. **Ne modifiez pas ou n'essayez pas de réparer l'appareil ou la batterie autrement que tel qu'indiqué dans les instructions d'utilisation et d'entretien.**
14. **Ne touchez pas l'embout pour affleureuse immédiatement après l'utilisation; il peut être extrêmement chaud et vous brûler la peau.**
15. **Ne laissez pas négligemment la base de l'outil s'imprégner de diluant, d'essence, d'huile, etc. Ces produits peuvent provoquer des fissures sur la base de l'outil.**
16. **Utilisez des embouts pour affleureuse dont le diamètre de la tige est adéquat et adapté à la vitesse de l'outil.**
17. **Certains matériaux contiennent des produits chimiques qui peuvent être toxiques. Prenez les précautions nécessaires pour éviter l'inhalation des poussières et le contact avec la peau. Respectez les données de sécurité du fournisseur du matériau.**
18. **Portez toujours un masque antipoussières ou un respirateur adapté au matériau utilisé et au type de travail à effectuer.**

## Consignes de sécurité pour affleureuse sans fil




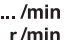
1. **Ne tenez l'outil électrique que par ses surfaces de prise isolées, car l'accessoire de coupe peut toucher un câblage dissimulé.** Si l'outil électrique coupe un fil sous tension, ses parties métalliques exposées peuvent se mettre sous tension et transmettre une décharge électrique à l'utilisateur.
2. **Utilisez des dispositifs de serrage ou autre moyen pratique pour fixer et soutenir la pièce sur une surface stable.** La pièce sera instable si vous la tenez d'une main ou contre votre corps, et vous risquez de perdre le contrôle de l'outil.
3. **Lors d'une utilisation prolongée, portez une protection d'oreilles.**
4. **Manipulez les embouts pour affleureuse très prudemment.**
5. **Avant de commencer le travail, vérifiez soigneusement l'absence de fissures ou de dommages sur l'embout pour affleureuse. Remplacez immédiatement tout embout fissuré ou endommagé.**
6. **Prenez garde aux clous. Inspectez la pièce et retirez-en tous les clous avant de commencer le travail.**
7. **Tenez l'outil fermement.**
8. **Gardez les mains à l'écart des pièces en rotation.**

## CONSERVEZ CE MODE D'EMPLOI.

**⚠ MISE EN GARDE : NE VOUS LAISSEZ PAS tromper (au fil d'une utilisation répétée) par un sentiment d'aisance ou de familiarité avec le produit en négligeant les consignes de sécurité qui accompagnent le produit. L'UTILISATION INCORRECTE ou l'ignorance des consignes de sécurité du présent manuel d'instructions comporte un risque de blessure grave.**

## Symboles

Les symboles utilisés pour l'outil sont indiqués ci-dessous.

	volt(s)
	courant continu
	vitesse à vide
	tours ou alternances par minute

## Consignes de sécurité importantes pour la batterie

1. Avant d'utiliser la batterie, lisez toutes les instructions et les mises en garde apposées sur (1) le chargeur de batterie, (2) la batterie et (3) le produit utilisant la batterie.
2. Ne démontez pas la batterie.
3. Cessez immédiatement l'utilisation si le temps de fonctionnement devient excessivement court. Il y a risque de surchauffe, de brûlures, voire d'explosion.
4. Si l'électrolyte pénètre dans vos yeux, rincez-les à l'eau claire et consultez immédiatement un médecin. Il y a risque de perte de la vue.
5. Ne court-circuitez pas la batterie :
  - (1) Ne touchez les bornes avec aucun matériau conducteur.
  - (2) Évitez de ranger la batterie dans un conteneur avec d'autres objets métalliques tels que clous, pièces de monnaie, etc.
  - (3) Évitez d'exposer la batterie à l'eau ou à la pluie.

Un court-circuit de la batterie pourrait provoquer un fort courant, une surchauffe, parfois des brûlures et même une panne.

6. Ne rangez pas l'outil ou la batterie dans des emplacements où la température peut atteindre ou dépasser 50 °C (122 °F).
7. Ne jetez pas la batterie au feu même si elle est sérieusement endommagée ou complètement épuisée. La batterie peut exploser au contact du feu.
8. Prenez garde d'échapper ou de heurter la batterie.
9. N'utilisez pas une batterie si elle est endommagée.
10. Les batteries lithium-ion fournies sont soumises aux exigences de la législation sur les marchandises dangereuses.

Des exigences particulières sur l'emballage et l'étiquetage doivent être respectées lors du transport commercial par des tiers, des transitaires, etc. Pour préparer la marchandise à expédier, consultez un expert en matériaux dangereux si nécessaire. Respectez aussi les éventuelles réglementations nationales plus détaillées.

Recouvrez de ruban isolant les contacts exposés, et emballez la batterie de sorte qu'elle ne puisse pas se déplacer à l'intérieur de l'emballage.

11. Suivez la réglementation locale concernant l'élimination de la batterie.
12. N'utilisez les batteries qu'avec les produits spécifiés par Makita. Installer les batteries sur des produits non conformes peut entraîner un incendie, une chaleur excessive, une explosion ou une fuite d'électrolyte.

## CONSERVEZ CES INSTRUCTIONS.

**ATTENTION** : Utilisez exclusivement les batteries fabriquées par Makita. Les batteries autres que celles fabriquées par Makita ou les batteries modifiées peuvent exploser et causer un incendie, une blessure ou des dommages. Cela annule aussi la garantie Makita de l'outil et du chargeur Makita.

## Conseils pour maintenir la durée de service maximale de la batterie

1. Rechargez la batterie avant qu'elle ne soit complètement déchargée. Arrêtez toujours l'outil et rechargez la batterie quand vous remarquez que la puissance de l'outil diminue.
2. Ne rechargez jamais une batterie complètement chargée. La surcharge réduit la durée de service de la batterie.
3. Chargez la batterie à une température ambiante comprise entre 10 °C et 40 °C (50 °F et 104 °F). Si la batterie est chaude, laissez-la refroidir avant de la charger.
4. Rechargez la batterie si elle est restée inutilisée pendant une période prolongée (plus de six mois).

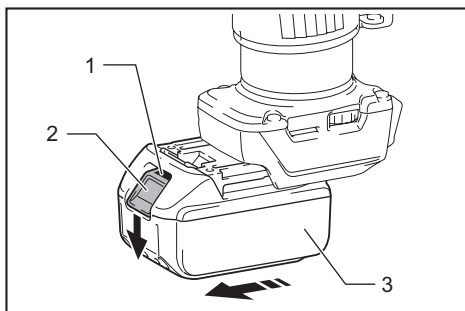
## DESCRIPTION DU FONCTIONNEMENT

**ATTENTION** : Assurez-vous toujours que l'outil est éteint et que sa batterie est retirée avant de l'ajuster ou de vérifier son fonctionnement.

## Installation ou retrait de la batterie

**ATTENTION** : Éteignez toujours l'outil avant d'installer ou de retirer la batterie.

**ATTENTION** : Tenez fermement l'outil et la batterie lors de l'installation ou du retrait de cette dernière. Si l'outil et la batterie ne sont pas tenus fermement, ils risquent de vous glisser des mains et de subir des dommages, ou encore de vous blesser.



► 1. Voyant rouge 2. Bouton 3. Batterie

Pour retirer la batterie, faites-la glisser hors de l'outil tout en glissant le bouton qui se trouve à l'avant.

Pour installer la batterie, alignez sa languette sur la rainure pratiquée dans le boîtier, et glissez la batterie en place. Insérez-la à fond jusqu'à ce que vous entendiez un léger déclic. Si vous pouvez voir le voyant rouge sur le dessus du bouton, la batterie n'est pas complètement verrouillée.

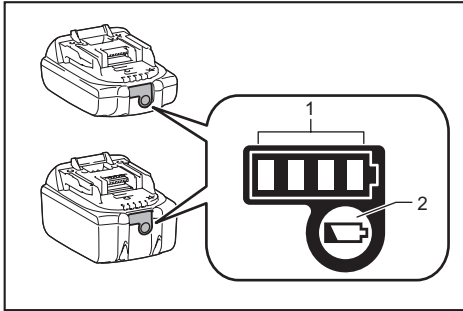


**⚠ ATTENTION** : Installez toujours la batterie à fond jusqu'à ce que vous ne puissiez plus voir le voyant rouge. Autrement elle risque de tomber accidentellement de l'outil et d'entraîner des blessures.

**⚠ ATTENTION** : Ne forcez pas sur la batterie pour l'installer. Si la batterie ne glisse pas facilement, c'est qu'elle n'est pas insérée correctement.

## Affichage de la charge restante de la batterie

Uniquement pour les batteries avec voyant



► 1. Témoins indicateurs 2. Bouton de vérification

Appuyez sur le bouton de vérification de la batterie pour afficher la charge restante de la batterie. Les témoins indicateurs s'allument pendant quelques secondes.

Témoins indicateurs			Charge restante
Allumé	Éteint	Clignotant	
■	□	◻	75 % à 100 %
■ ■ ■ ■	□ □ □ □		50 % à 75 %
■ ■	□ □ □ □		25 % à 50 %
■	□ □ □ □		0 % à 25 %
◻	□ □ □ □		Chargez la batterie.
■ ■ □ □	□ □ ■ ■	↑ ↓	La batterie a peut-être mal fonctionné.

**NOTE** : Suivant les conditions d'utilisation et la température ambiante, il se peut que l'indication soit légèrement différente de la charge réelle.

## Dispositif de protection de l'outil et de la batterie

L'outil est équipé d'un système de protection d'outil/batterie. Ce système coupe automatiquement l'alimentation du moteur pour augmenter la durée de vie de l'outil et de la batterie. L'outil s'arrête automatiquement pendant l'utilisation lorsque l'outil ou la batterie est dans l'une des situations suivantes :

### Protection contre la surcharge

Lorsque la batterie est utilisée d'une façon qui lui fait consommer un courant anormalement élevé, l'outil s'arrête automatiquement, sans aucune indication. Dans ce cas, éteignez l'outil et arrêtez l'application qui a causé la surcharge de l'outil. Rallumez ensuite l'outil pour redémarrer.

### Protection contre la surchauffe

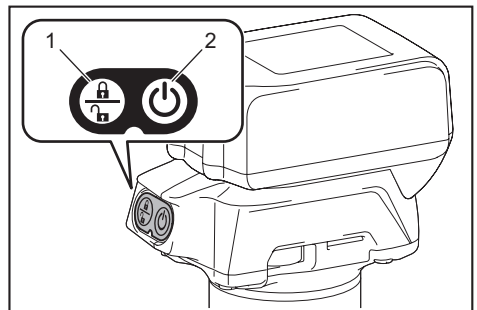
Lorsque l'outil ou la batterie surchauffe, l'outil s'arrête automatiquement et la lampe clignote. Le cas échéant, laissez refroidir l'outil et la batterie avant de rallumer l'outil.

### Protection contre la décharge excessive

Lorsque la charge de la batterie est insuffisante, l'outil s'arrête automatiquement. Dans ce cas, retirez la batterie de l'outil et chargez la batterie.

## Interrupteur

Pour mettre le contact, appuyez sur le bouton de verrouillage/déverrouillage. L'outil tourne en mode d'attente. Pour faire démarrer l'outil, appuyez sur le bouton de démarrage/arrêt en mode d'attente. Pour arrêter l'outil, appuyez de nouveau sur le bouton de démarrage/arrêt. L'outil tourne en mode d'attente. Pour couper le contact, appuyez sur le bouton de verrouillage/déverrouillage en mode d'attente.



► 1. Bouton de verrouillage/déverrouillage 2. Bouton de démarrage/arrêt

**NOTE** : Si aucune commande n'est effectuée sur l'outil pendant 10 secondes en mode d'attente, le contact est coupé automatiquement et la lampe s'éteint.

**NOTE** : Vous pouvez également arrêter l'outil et couper le contact en appuyant sur le bouton de verrouillage/déverrouillage pendant que l'outil tourne.

## Allumage de la lampe avant

**ATTENTION** : Évitez de regarder directement le faisceau lumineux ou sa source.

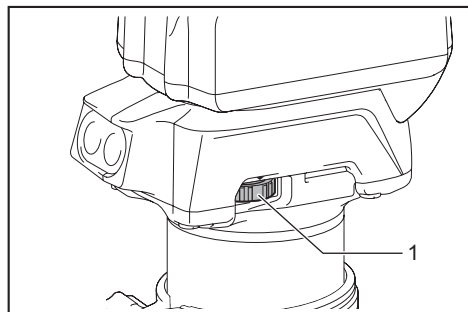
Pour allumer la lampe, appuyez sur le bouton de verrouillage/déverrouillage. Pour éteindre la lampe, appuyez de nouveau sur le bouton de verrouillage/déverrouillage.

**AVIS** : Lorsque l'outil surchauffe, la lampe clignote. Laissez refroidir l'outil complètement avant de l'utiliser à nouveau.

**NOTE** : Utilisez un linge sec pour enlever les poussières sur la lentille de la lampe. Prenez garde de rayer la lentille de la lampe, car cela peut affecter son intensité d'éclairage.

## Cadran de réglage de la vitesse

La vitesse de rotation de l'outil peut être modifiée en tournant le cadran de réglage de la vitesse. Le tableau ci-dessous indique la correspondance entre le numéro du cadran et la vitesse de rotation.



► 1. Cadran de réglage de la vitesse

Numéro	Vitesse
1	10 000 /min
2	15 000 /min
3	20 000 /min
4	25 000 /min
5	30 000 /min

**AVIS** : Si l'outil est utilisé de manière continue à vitesse réduite sur une période prolongée, le moteur sera surchargé et cela entraînera un mauvais fonctionnement de l'outil.

**AVIS** : Pour ramener le cadran de vitesse de « 5 » à « 1 », tournez le cadran dans le sens contraire des aiguilles d'une montre. Ne forcez pas le cadran en le tournant dans le sens des aiguilles d'une montre.

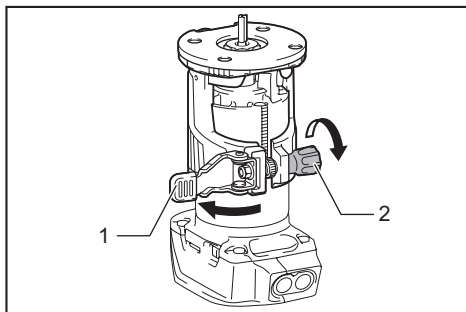
## Fonctions électroniques

L'outil est doté de fonctions électroniques qui facilitent son utilisation.

- Commande de vitesse constante  
La fonction de commande de vitesse procure une vitesse de rotation constante, quelle que soit la charge.
- Démarrage en douceur  
La fonction de démarrage en douceur atténue le choc de démarrage et fait démarrer l'outil doucement.

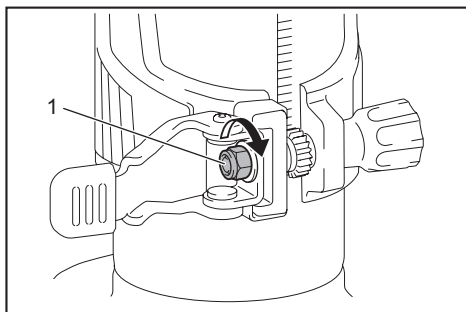
## Réglage de la profondeur de coupe

Pour régler la profondeur de coupe, ouvrez le levier de verrouillage, puis déplacez la base de l'outil vers le haut ou le bas en tournant la vis de réglage. Après le réglage, fermez le levier de verrouillage fermement.



► 1. Levier de verrouillage 2. Vis de réglage

**AVIS** : Si l'outil n'est pas fixé après la fermeture du levier de verrouillage, serrez l'écrou hexagonal puis fermez le levier de verrouillage.

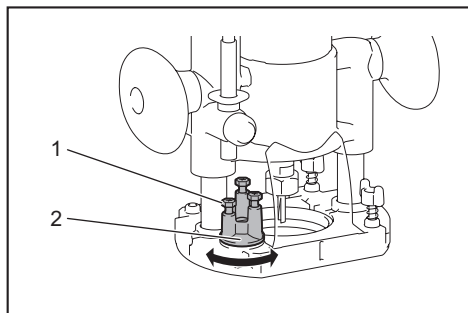


► 1. Écrou hexagonal

## Réglage de la profondeur de coupe avec la base plongeante

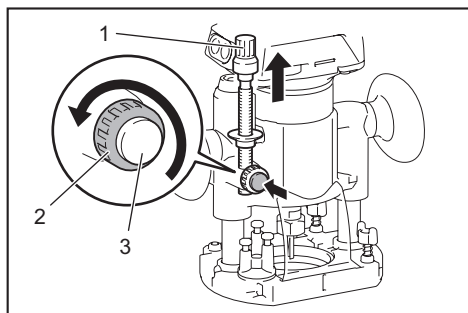
### Accessoire en option

1. Placez l'outil sur une surface plane.
2. Sélectionnez la vis de butée en tournant la butée d'arrêt.



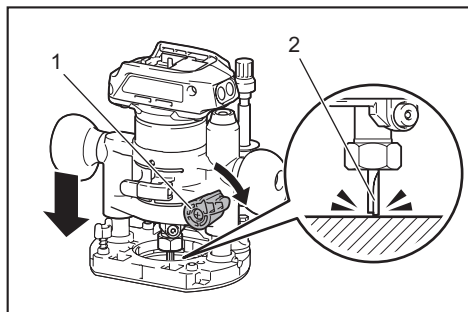
- 1. Vis de butée 2. Butée d'arrêt

3. Desserrez l'écrou de fixation de la tige de butée, puis tirez sur la tige de butée tout en appuyant sur le bouton d'alimentation.



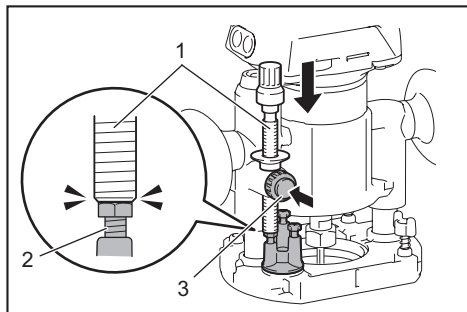
- 1. Tige de butée 2. Écrou de fixation 3. Bouton d'alimentation

4. Abaissez l'outil jusqu'à ce que l'extrémité de l'embout pour affleureuse touche la surface plane, puis tournez le levier de fixation pour fixer l'outil.



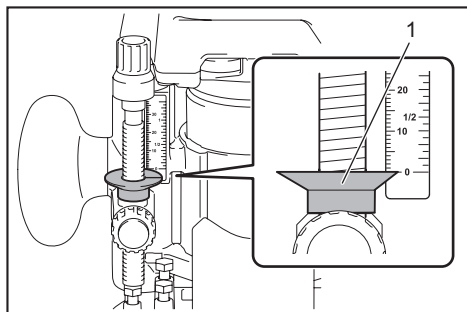
- 1. Levier de fixation 2. Embout pour affleureuse

5. Abaissez la tige de butée tout en appuyant sur le bouton d'alimentation jusqu'à ce qu'elle touche la vis de butée.



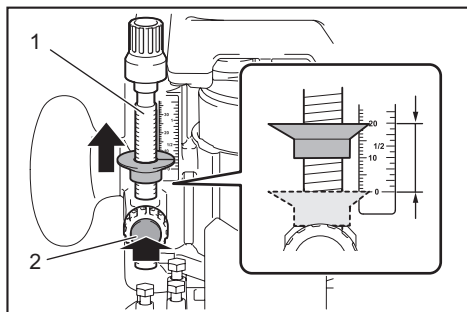
- 1. Tige de butée 2. Vis de butée 3. Bouton d'alimentation

6. Glissez l'index de profondeur de sorte que l'index indique « 0 » sur l'échelle.



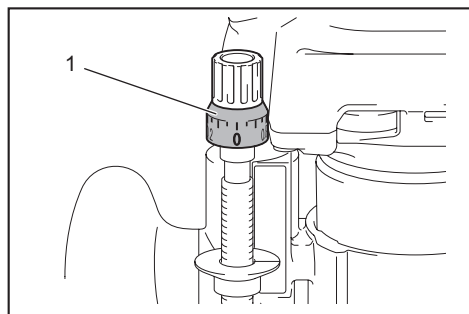
- 1. Index de profondeur

7. Réglez la profondeur de coupe en tirant sur la tige de butée tout en enfonçant le bouton d'alimentation.



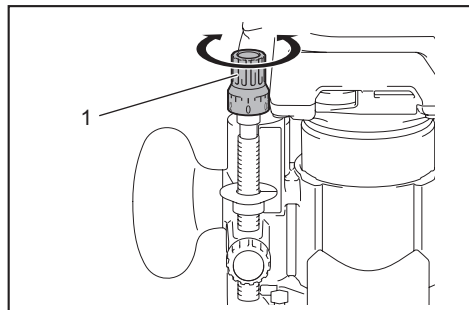
- 1. Tige de butée 2. Bouton d'alimentation

8. Pour régler finement la profondeur de coupe, tournez le cadran sur la tige de butée de sorte qu'il indique « 0 ».



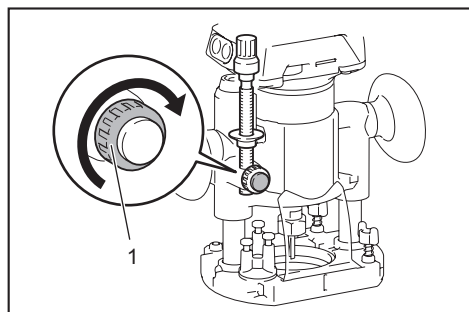
► 1. Cadran

9. Tournez la tête de la tige de butée pour obtenir la profondeur désirée. Pour augmenter la profondeur, tournez la tête dans le sens contraire des aiguilles d'une montre. Pour réduire la profondeur, tournez la tête dans le sens des aiguilles d'une montre.



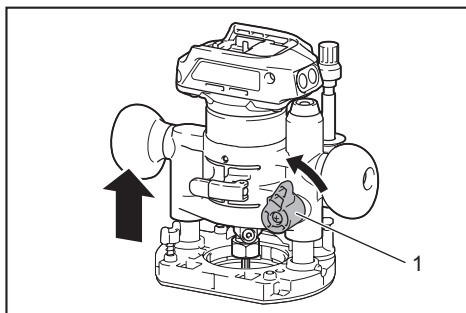
► 1. Tête de la tige de butée

10. Serrez l'écrou de fixation de la tige de butée.



► 1. Écrou de fixation

11. Libérez le levier de fixation.



► 1. Levier de fixation

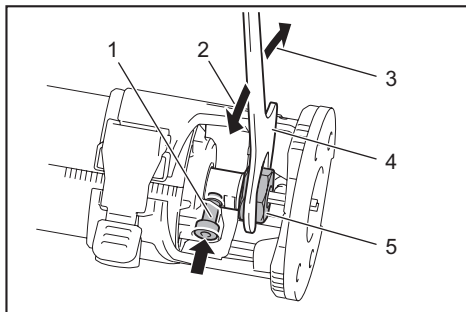
## ASSEMBLAGE

**ATTENTION** : Assurez-vous toujours que l'outil est éteint et que sa batterie est retirée avant d'effectuer tout travail dessus.

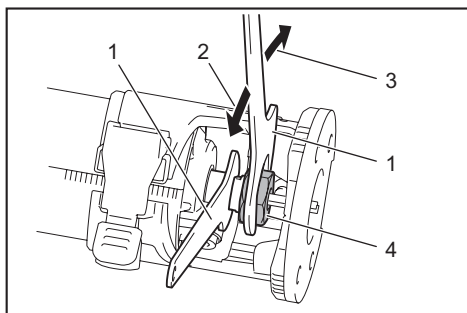
### Pose ou retrait de l'embout pour affleureuse

**AVIS** : Ne serrez pas l'écrou de mandrin sans insérer l'embout. Le cône de mandrin risquerait de casser.

Insérez l'embout pour affleureuse à fond dans le cône de mandrin. Appuyez sur le verrou d'arbre et serrez l'écrou de mandrin avec la clé ou serrez fermement l'écrou de mandrin avec les deux clés. Pour retirer l'embout, effectuez le contraire de la procédure d'installation.

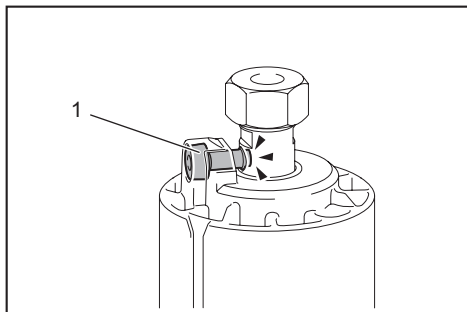


► 1. Verrou d'arbre 2. Desserrer 3. Serrer 4. Clé 5. Écrou de mandrin



► 1. Clé 2. Desserrer 3. Serrer 4. Écrou de mandrin

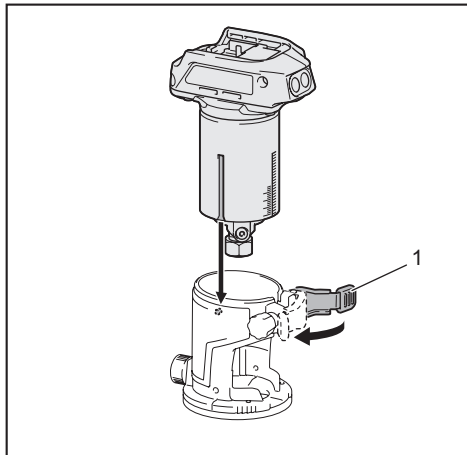
**NOTE :** Il se peut que le verrou d'arbre ne revienne pas sur sa position initiale lorsque vous serrez l'écrou de mandrin lors de la pose de l'embout pour affleureuse. Le verrou d'arbre revient sur sa position initiale lorsque vous démarrez l'outil.



► 1. Verrou d'arbre

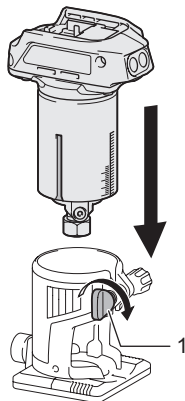
### Pose ou retrait de la base d'affleuseuse

1. Ouvrez le levier de verrouillage de la base d'affleuseuse, puis insérez l'outil dans la base d'affleuseuse en alignant la rainure de l'outil sur la partie saillante de la base d'affleuseuse.



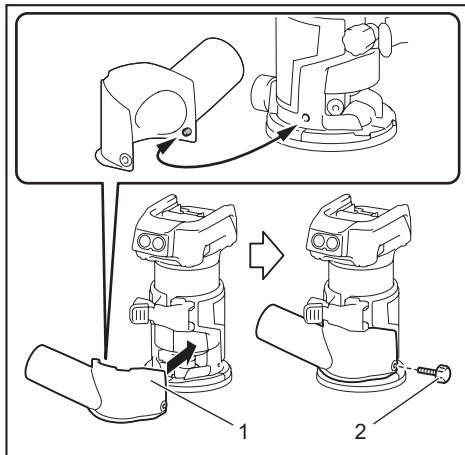
► 1. Levier de verrouillage

**NOTE :** Vous pouvez utiliser la base d'affleuseuse (en résine) comme accessoire en option, tel qu'indiqué sur la figure. Lorsque vous utilisez la base d'affleuseuse (en résine), desserrez ou serrez l'écrou à oreilles au lieu d'ouvrir ou de fermer le levier de verrouillage.

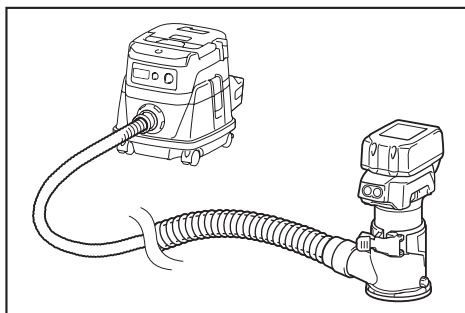


► 1. Écrou à oreilles

2. Fermez le levier de verrouillage.
3. Fixez le raccord à poussières à la base d'affleuseuse, puis serrez la vis à tête à clé de violon.



► 1. Raccord à poussières 2. Vis à tête à clé de violon



Pour retirer la base, effectuez le contraire de la procédure d'installation.

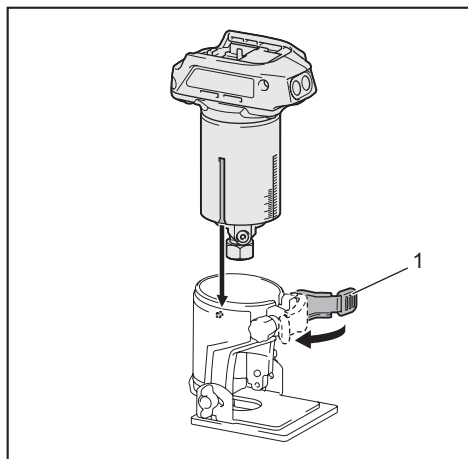
**ATTENTION** : Lorsque vous utilisez l'outil avec la base d'affleuseuse, veillez à poser le raccord à poussières sur la base d'affleuseuse.

**NOTE** : Dans certains pays, il se peut que le raccord à poussières ne soit pas compris dans l'emballage de l'outil en tant qu'accessoire standard.

## Pose ou retrait de la base inclinable

### Accessoire en option

1. Ouvrez le levier de verrouillage de la base inclinable, puis insérez l'outil dans la base inclinable en alignant la rainure de l'outil sur la partie saillante de la base inclinable.



► 1. Levier de verrouillage

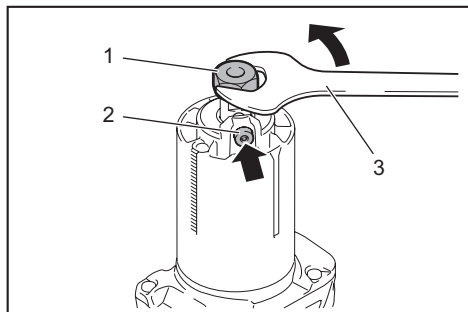
2. Fermez le levier de verrouillage.

Pour retirer la base, effectuez le contraire de la procédure d'installation.

## Pose ou retrait de la base désalignée

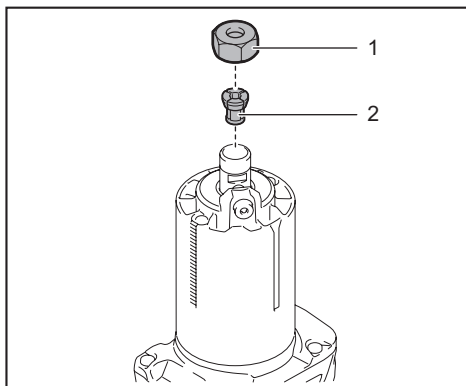
### Accessoire en option

1. Appuyez sur le verrou d'arbre, puis desserrez l'écrou de mandrin.



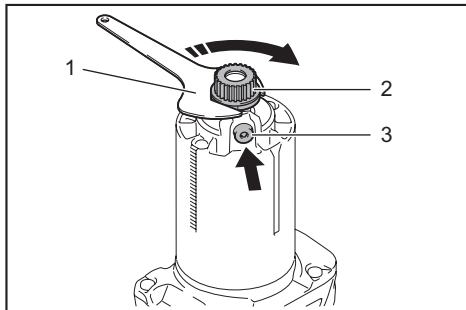
► 1. Écrou de mandrin 2. Verrou d'arbre 3. Clé

2. Retirez l'écrou de mandrin et le cône de mandrin.



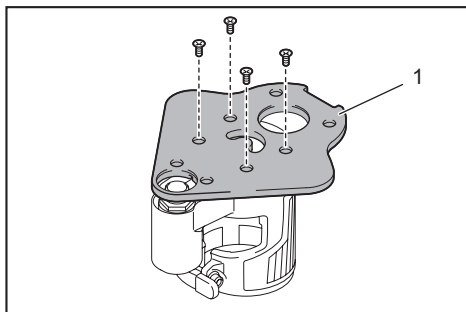
► 1. Écrou de mandrin 2. Cône de mandrin

3. Posez la poulie sur l'outil en appuyant sur le verrou d'arbre et en serrant la poulie avec la clé.



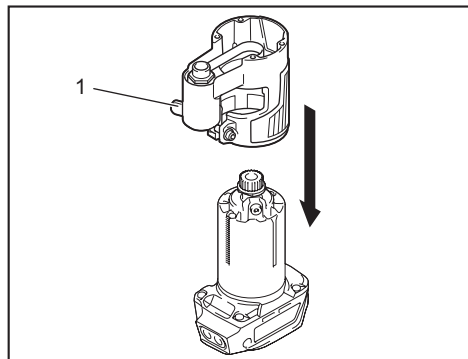
► 1. Clé 2. Poulie 3. Verrou d'arbre

4. Desserrez les vis sur la plaque de base, puis retirez la plaque de base.



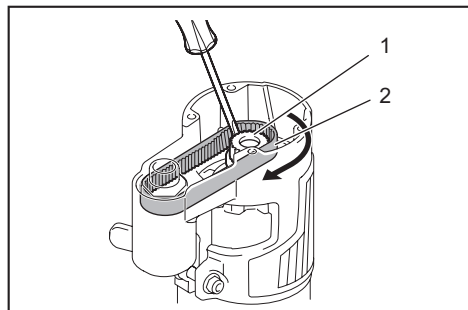
► 1. Plaque de base

5. Ouvrez le levier de verrouillage de la base désalignée, puis insérez l'outil dans la base désalignée.



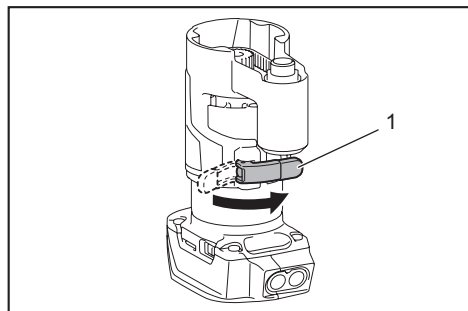
► 1. Levier de verrouillage

6. Montez la courroie sur la poulie en tournant la courroie manuellement.



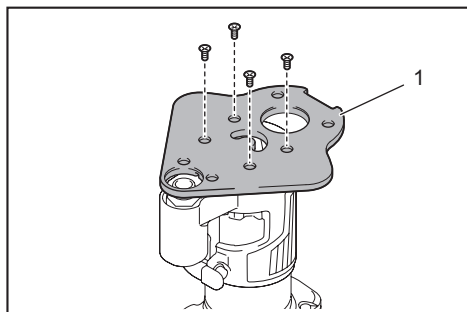
► 1. Poulie 2. Courroie

7. Fermez le levier de verrouillage.



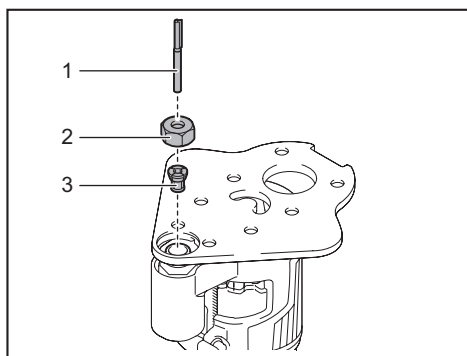
► 1. Levier de verrouillage

8. Fixez la plaque de base en serrant les vis.



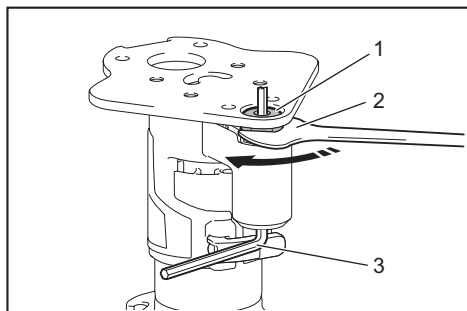
► 1. Plaque de base

9. Insérez le cône de mandrin et l'embout pour affleureuse dans la base désalignée, puis serrez l'écrou de mandrin.



► 1. Embout pour affleureuse 2. Écrou de mandrin 3. Cône de mandrin

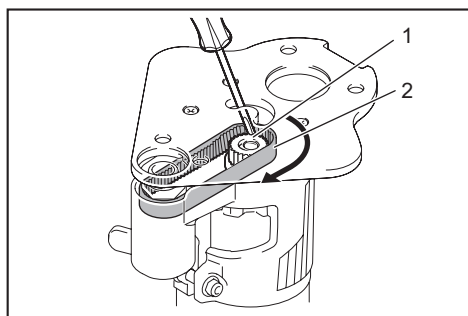
10. Insérez la clé hexagonale dans l'orifice de la base désalignée, puis serrez l'écrou de mandrin avec la clé.



► 1. Écrou de mandrin 2. Clé 3. Clé hexagonale

Pour retirer la base, effectuez le contraire de la procédure d'installation.

**NOTE :** Vous pouvez également monter la courroie sur la poulie sans retirer la plaque de base, tel qu'indiqué sur la figure.

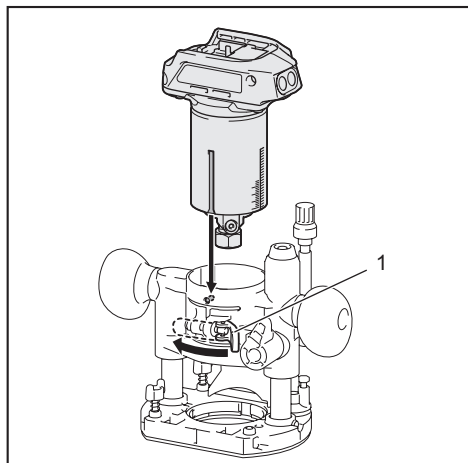


► 1. Poulie 2. Courroie

## Pose ou retrait de la base plongeante

### Accessoire en option

- Ouvrez le levier de verrouillage de la base plongeante, puis insérez l'outil à fond dans la base plongeante en alignant la rainure de l'outil sur la partie saillante de la base plongeante.



► 1. Levier de verrouillage

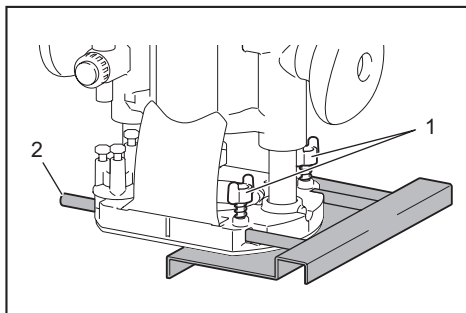
- Fermez le levier de verrouillage.

Pour retirer la base, effectuez le contraire de la procédure d'installation.

## Pose ou retrait du hachurateur sur la base plongeante

### Accessoire en option

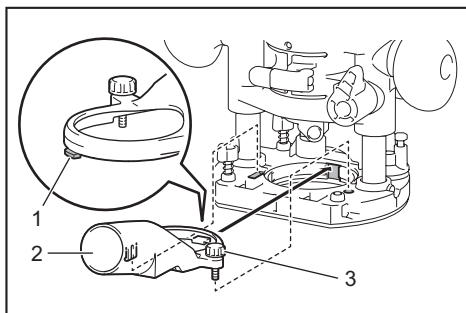
Insérez les barres de guidage dans les orifices de la base plongeante, puis serrez les boulons à oreilles. Pour retirer le hachurateur, effectuez le contraire de la procédure d'installation.



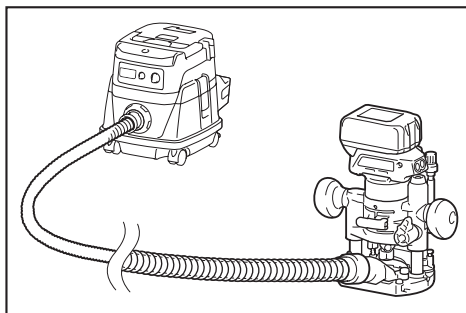
► 1. Boulon à oreilles 2. Barre de guidage

## Pose ou retrait du raccord à poussières sur la base plongeante

Insérez le raccord à poussières dans la base plongeante de sorte que la partie saillante du raccord pénètre dans l'entaille de la base, puis serrez la vis à tête à clé de violon sur le raccord à poussières. Pour retirer le raccord, effectuez le contraire de la procédure d'installation.



► 1. Partie saillante 2. Raccord à poussières 3. Vis à tête à clé de violon

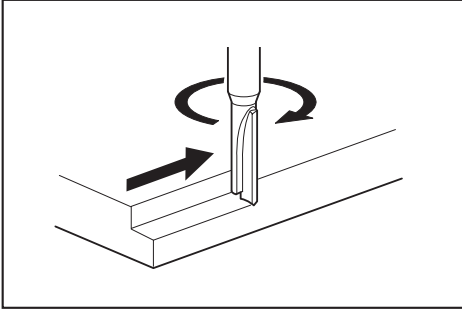




# UTILISATION

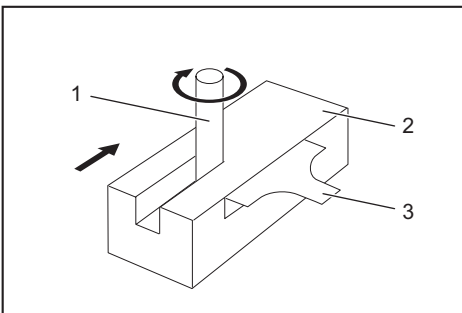
## Utilisation de l'outil avec la base d'affleuseuse

Placez la base de l'outil sur la pièce à travailler, sans que rien ne touche l'embout pour affleuseuse. Mettez le contact et attendez que l'embout atteigne sa pleine vitesse. Déplacez l'outil vers l'avant sur la surface de la pièce à travailler. Gardez la base de l'outil de niveau en déplaçant l'outil. Lorsque vous coupez le bord de la pièce, veillez à garder la surface de la pièce du côté gauche de l'embout pour affleuseuse par rapport au sens de progression.



**NOTE :** Avant de couper la pièce elle-même, il est recommandé de faire une coupe d'essai. La vitesse de progression adéquate dépendra de la taille de l'embout, du type de pièce à travailler et de la profondeur de coupe. Déplacer l'outil trop vite vers l'avant peut produire une coupe de mauvaise qualité, ou endommager l'embout ou le moteur. Déplacer l'outil trop lentement vers l'avant peut brûler la pièce ou gâcher la coupe.

Lorsque vous utilisez la plaque d'appui, le guide de coupe rectiligne ou le guide d'affleurage, veillez à le garder du côté droit par rapport au sens de progression. Cela le gardera parfaitement aligné sur le côté de la pièce.



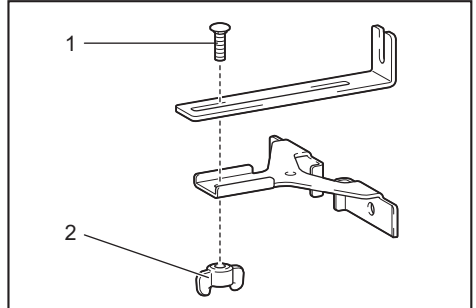
► 1. Embout pour affleuseuse 2. Pièce à travailler  
3. Guide de coupe rectiligne

**AVIS :** Comme une coupe excessive peut surcharger le moteur ou rendre difficile le contrôle de l'outil, la profondeur de coupe ne doit pas dépasser 3 mm (1/8") par passe lors du rainurage. Pour rainurer plus profondément que 3 mm (1/8"), faites plusieurs passes en augmentant progressivement le réglage de profondeur de l'embout.

## Utilisation du guide de coupe rectiligne

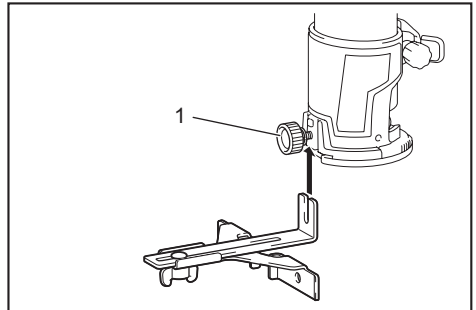
### Accessoire en option

1. Assemblez le guide de coupe rectiligne à l'aide du boulon et de l'écrou à oreilles.



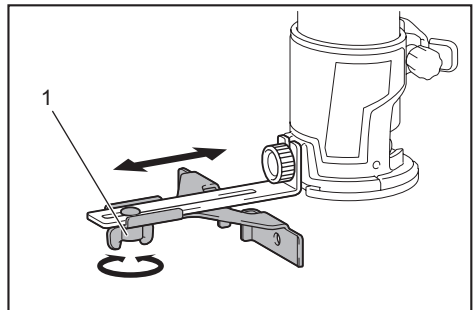
► 1. Boulon 2. Écrou à oreilles

2. Fixez le guide de coupe rectiligne à la base d'affleuseuse avec la vis de serrage.



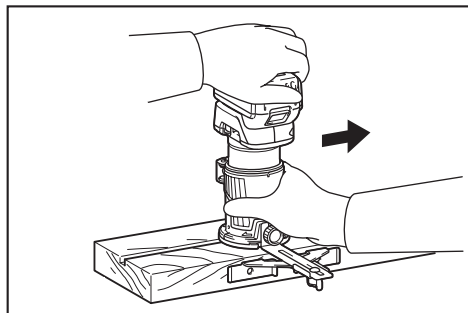
► 1. Vis de serrage

3. Desserrez l'écrou à oreilles sur le guide de coupe rectiligne, et ajustez la distance entre l'embout et le guide de coupe rectiligne. À la distance désirée, serrez l'écrou à oreilles.

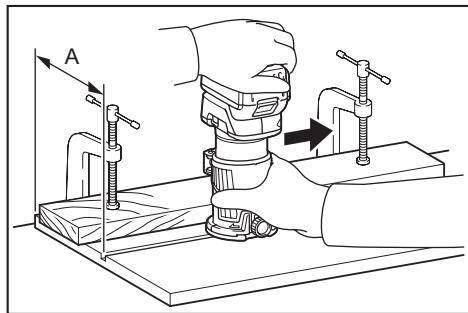


► 1. Écrou à oreilles

4. Déplacez l'outil en gardant le guide de coupe rectiligne parfaitement aligné sur le côté de la pièce à travailler.



Si la distance (A) entre le côté de la pièce et la position de coupe est trop grande pour le guide de coupe rectiligne, ou si le côté de la pièce n'est pas droit, il ne sera pas possible d'utiliser le guide de coupe rectiligne. Dans ce cas, serrez fermement une planche droite contre la pièce, et utilisez-la comme guide contre la base de l'affleureuse. Faites avancer l'outil dans le sens de la flèche.

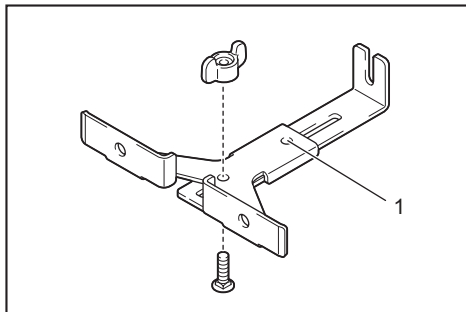


### Utilisation du guide de coupe rectiligne pour le travail circulaire

Pour le travail circulaire, assemblez le guide de coupe rectiligne tel qu'indiqué sur les figures. Les rayons minimum et maximum des cercles à couper (la distance entre le centre du cercle et le centre de l'embout) sont les suivants :

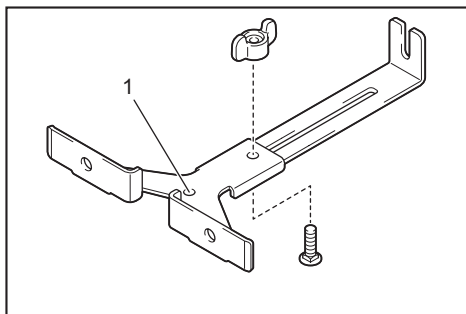
- Minimum : 70 mm (2-3/4")
- Maximum : 221 mm (8-11/16")

### Pour couper des cercles d'un rayon de 70 mm (2-3/4") à 121 mm (4-3/4")



► 1. Trou central

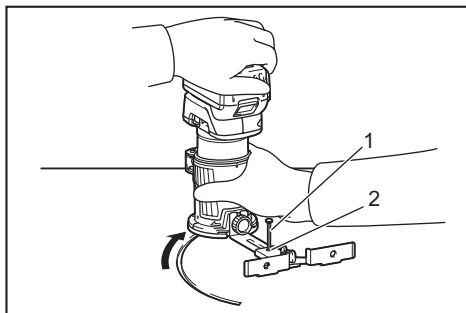
### Pour couper des cercles d'un rayon de 121 mm (4-3/4") à 221 mm (8-11/16")



► 1. Trou central

**NOTE :** Il n'est pas possible de couper des cercles d'un rayon de 172 mm (6-3/4") à 186 mm (7-5/16") avec ce guide.

Alignez le trou central du guide de coupe rectiligne sur le centre du cercle à couper. Plantez un clou d'un diamètre inférieur à 6 mm (1/4") dans le trou central pour fixer le guide de coupe rectiligne. Faites pivoter l'outil autour du clou dans le sens des aiguilles d'une montre.



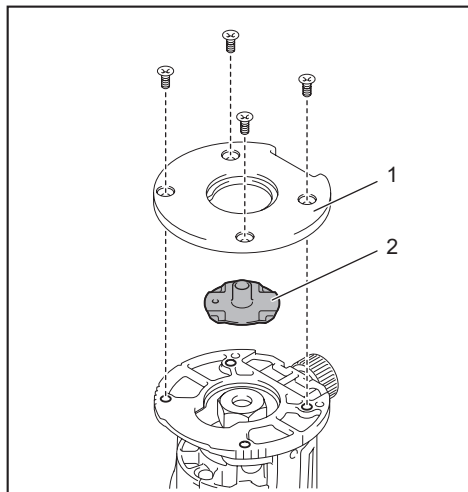
► 1. Clou 2. Trou central

## Utilisation du guide de gabarit

### Accessoire en option

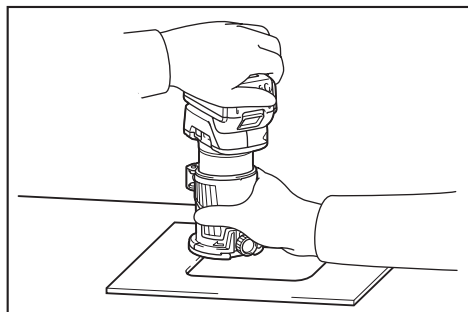
Le guide de gabarit permet d'effectuer, à l'aide d'un gabarit, des coupes répétitives à motifs de gabarit.

1. Desserrez les vis sur la plaque de base, puis retirez la plaque de base de la base d'affleureuse.
2. Placez le guide de gabarit sur la base, puis fixez la plaque de base en serrant les vis.



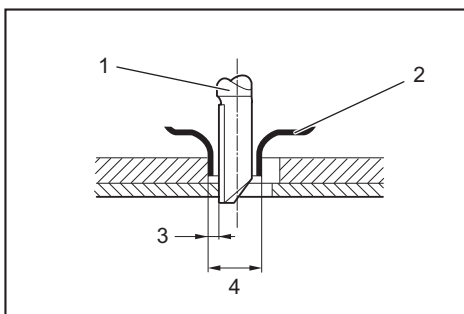
- 1. Plaque de base 2. Guide de gabarit

3. Placez l'outil sur le gabarit et déplacez l'outil en faisant glisser le guide de gabarit le long du côté du gabarit.



**NOTE :** La taille de coupe véritable de la pièce à travailler est légèrement différente du gabarit. La différence correspond à la distance (X) entre l'embout pour affleureuse et l'extérieur du guide de gabarit. L'équation suivante permet de calculer la distance (X) :

Distance (X) = (diamètre extérieur du guide de gabarit - diamètre de l'embout pour affleureuse) / 2

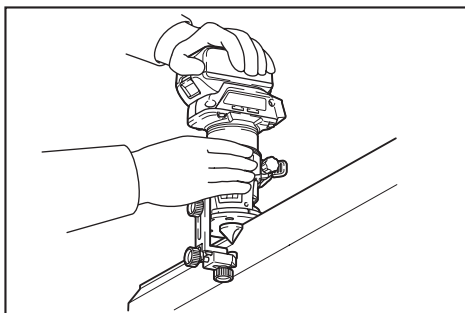


- 1. Embout pour affleureuse 2. Guide de gabarit  
3. Distance (X) 4. Diamètre extérieur du guide de gabarit

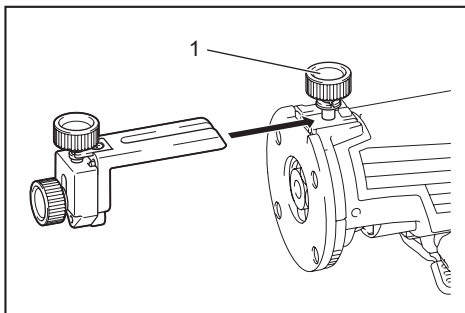
## Utilisation du guide d'affleutage

### Accessoire en option

Le guide d'affleutage permet d'effectuer l'affleutage des côtés courbés, tels que les placages pour meubles, en déplaçant la roulette guide le long du côté de la pièce à travailler.

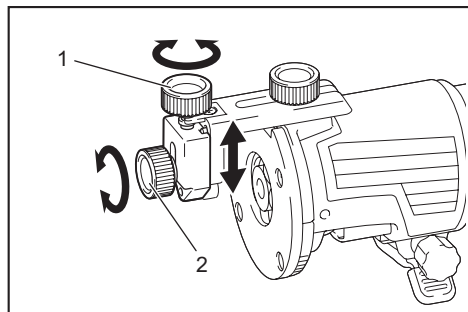


1. Desserrez la vis de serrage, posez le guide d'affleutage sur la base d'affleureuse, puis serrez la vis de serrage.



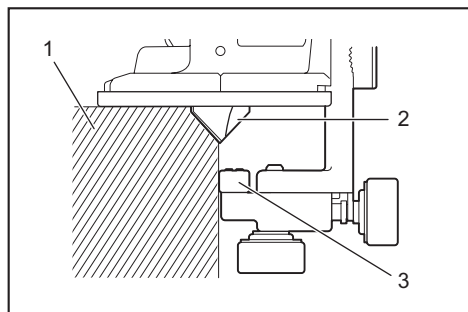
- 1. Vis de serrage

2. Desserrez la vis de serrage et ajustez la distance entre l'embout pour affleureuse et le guide d'affleurage en tournant la vis de réglage (1 mm (3/64") par tour). À la distance désirée, serrez la vis de serrage pour fixer le guide d'affleurage.



► 1. Vis de réglage 2. Vis de serrage

3. Déplacez l'outil en faisant rouler la roulette guide sur le côté de la pièce.

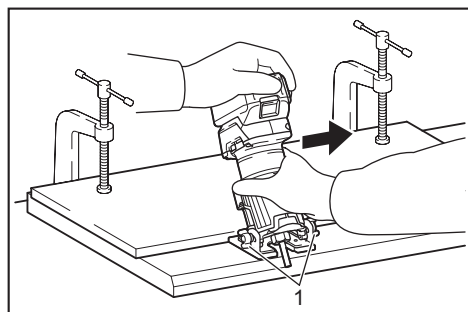


► 1. Pièce à travailler 2. Embout 3. Roulette guide

### Utilisation de l'outil avec la base inclinable

La base inclinable est pratique pour le chanfreinage. Desserrez les vis à oreilles, inclinez l'outil sur l'angle désiré, puis serrez les vis à oreilles.

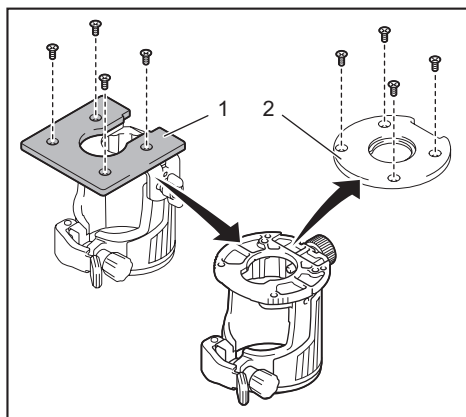
Serrez fermement une planche droite contre la pièce, et utilisez-la comme guide contre la base inclinable. Faites avancer l'outil dans le sens de la flèche.



► 1. Vis à oreilles

### Utilisation de la plaque de base inclinable avec la base d'affleureuse

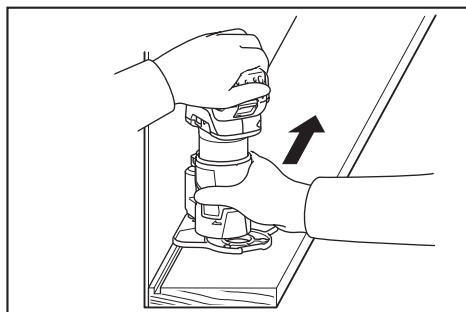
Pour utiliser la base d'affleureuse avec une plaque de base carrée, retirez la plaque de base de la base inclinable, puis fixez-la à la base d'affleureuse.



► 1. Plaque de base inclinable 2. Plaque de base d'affleureuse

### Utilisation de l'outil avec la base désalignée

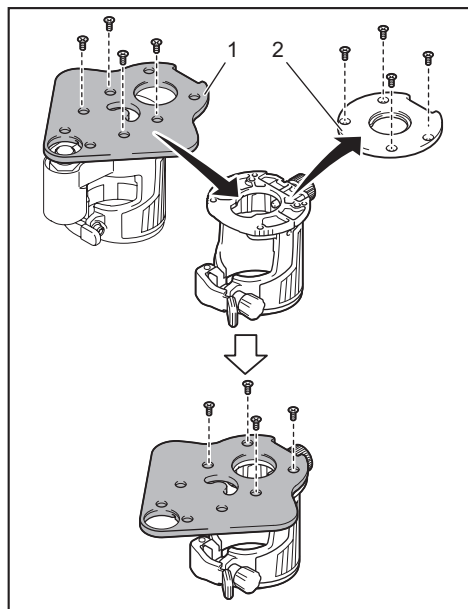
La base désalignée est pratique pour travailler dans les espaces étroits, tels que les coins.



## Utilisation de la base d'affleuseuse avec la plaque de base désalignée et une poignée

La plaque de base désalignée peut également être utilisée avec une base d'affleuseuse et un accessoire de poignée (accessoire en option) pour plus de stabilité.

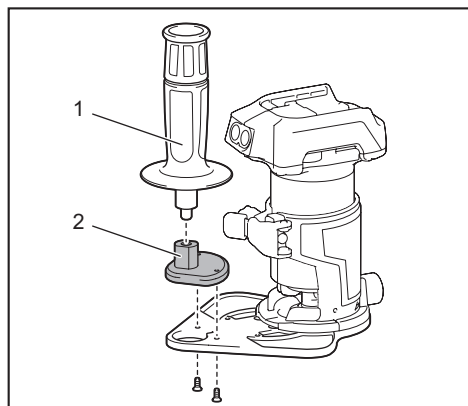
1. Desserrez les vis sur la plaque de base, puis retirez la plaque de base de la base désalignée.



► 1. Plaque de base désalignée 2. Plaque de base d'affleuseuse

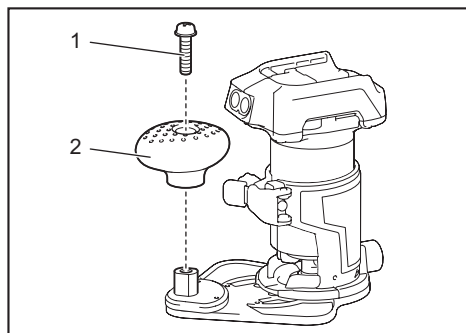
2. Fixez la plaque de base désalignée à la base d'affleuseuse en serrant les vis.

3. Fixez l'accessoire de poignée et la poignée de type barre à la plaque de base désalignée en serrant les vis.



► 1. Poignée de type barre 2. Accessoire de poignée

La poignée de type bouton retirée de la base plongeante peut être posée sur la base désalignée au lieu de la poignée de type barre.



► 1. Vis 2. Poignée de type bouton

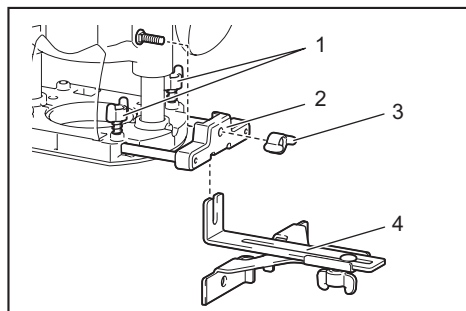
## Utilisation de l'outil avec la base plongeante

Tenez toujours les poignées fermement à deux mains pendant l'utilisation. Utilisez l'outil de la même façon que la base d'affleuseuse.

## Utilisation du guide de coupe rectiligne

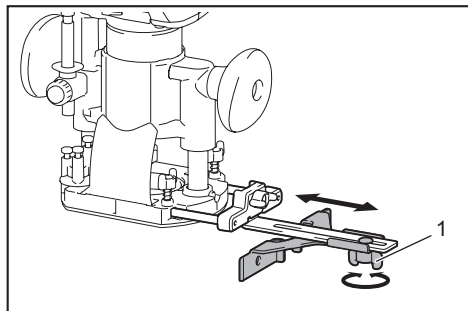
### Accessoire en option

1. Posez le guide de coupe rectiligne sur le porte-guide en serrant l'écrou à oreilles. Insérez le porte-guide dans les orifices de la base plongeante, puis serrez les boulons à oreilles.



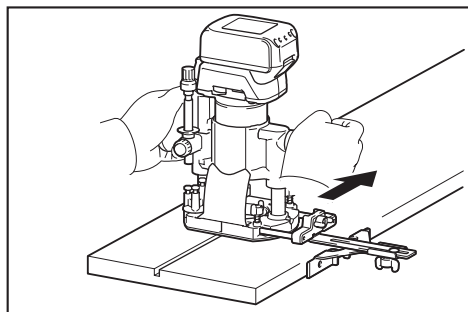
► 1. Boulon à oreilles 2. Porte-guide 3. Écrou à oreilles 4. Guide de coupe rectiligne

2. Desserrez l'écrou à oreilles sur le guide de coupe rectiligne, et ajustez la distance entre l'embout et le guide de coupe rectiligne. À la distance désirée, serrez l'écrou à oreilles.



► 1. Écrou à oreilles

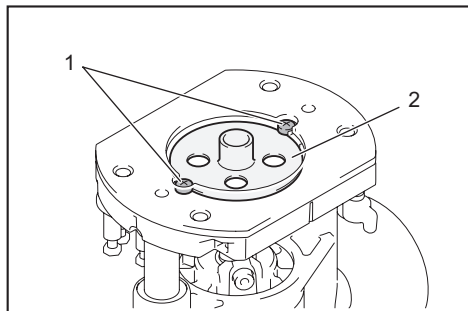
3. Utilisez l'outil de la même façon que le guide de coupe rectiligne pour la base d'affleuseuse.



## Utilisation du guide de gabarit

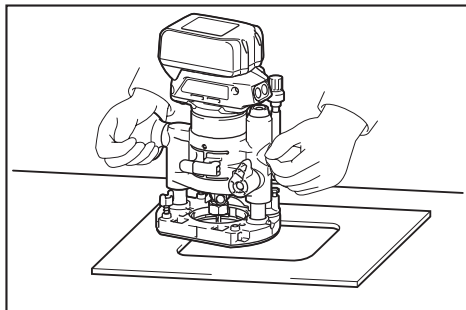
### Accessoire en option

1. Desserrez les vis sur la base et retirez-les. Placez le guide de gabarit sur la base, puis serrez les vis.



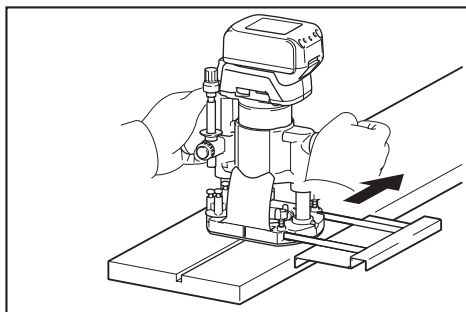
► 1. Vis 2. Guide de gabarit

2. Utilisez l'outil de la même façon que le guide de gabarit pour la base d'affleuseuse.



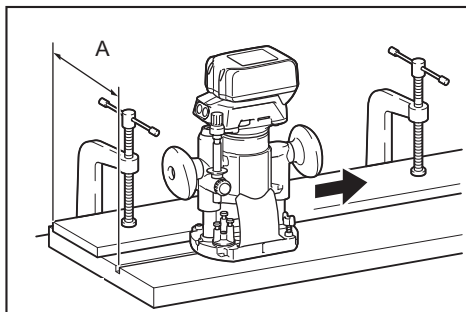
## Utilisation du hachurateur

Le hachurateur est pratique pour effectuer des coupes rectilignes lors du chanfreinage ou du rainurage. Ajustez la distance entre l'embout et le hachurateur. À la distance désirée, serrez les boulons à oreilles pour fixer le hachurateur. Pendant la coupe, déplacez l'outil en gardant le hachurateur parfaitement aligné sur le côté de la pièce à travailler.



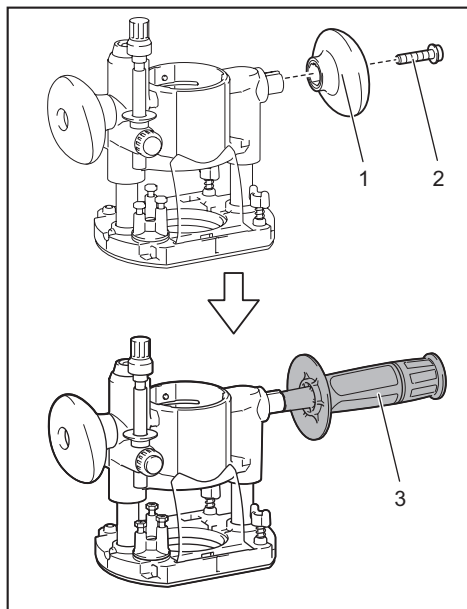
Si la distance (A) entre le côté de la pièce et la position de coupe est trop grande pour le hachurateur, ou si le côté de la pièce n'est pas droit, il ne sera pas possible d'utiliser le hachurateur.

Dans ce cas, serrez fermement une planche droite contre la pièce, et utilisez-la comme guide contre la base plongeante. Faites avancer l'outil dans le sens de la flèche.



## Remplacement de la poignée de type bouton par la poignée de type barre

Pour poser la poignée de type barre sur la base plongeante, desserrez la vis de la poignée de type bouton, retirez la poignée de type bouton, puis posez la poignée de type barre en la serrant.



► 1. Poignée de type bouton 2. Vis 3. Poignée de type barre

Si vous désirez obtenir plus de détails sur ces accessoires, veuillez contacter le centre de service après-vente Makita le plus près.

- Embouts rectilignes et de rainurage
- Embouts pour formation de bord
- Embouts pour affleurage de laminé
- Ensemble de guide de coupe rectiligne
- Ensemble de guide d'affleurage
- Ensemble de base d'affleureuse
- Ensemble de base d'affleureuse (en résine)
- Ensemble de la base inclinable
- Ensemble de base plongeante
- Ensemble de base désalignée
- Accessoire de poignée
- Guide de gabarit
- Cône de mandrin 1/4"
- Cône de mandrin 3/8"
- Clé 13
- Clé 22
- Chargeur et batterie authentiques Makita

**NOTE :** Certains éléments de la liste peuvent être inclus avec l'outil comme accessoires standards. Ils peuvent varier suivant les pays.

## GARANTIE LIMITÉE D'UN AN DE MAKITA

### Politique de garantie

Tous les outils Makita sont soigneusement inspectés et mis à l'essai avant de quitter l'usine. Ils sont garantis contre les vices de fabrication et de matériau pour une période d'UN AN suivant la date de l'achat original. Si un problème survient pendant cette période d'un an, retournez l'outil COMPLET, fret payé d'avance, à une usine ou un centre de service après-vente autorisé Makita. S'il ressort de l'inspection que le problème est dû à un vice de fabrication ou de matériau, Makita réparera (ou remplacera, à son gré) l'outil gratuitement. Cette garantie ne s'applique pas dans les cas où :

- des réparations ont été effectuées ou tentées par un tiers;
- des réparations sont nécessaires en raison de l'usure normale;
- l'outil a été malmené, mal utilisé ou non adéquatement entretenu;
- l'outil a subi des modifications.

MAKITA NE SERA EN AUCUN CAS RESPONSABLE DE TOUS DOMMAGES INDIRECTS, ACCESSOIRES OU CONSÉCUTIFS DE LA VENTE OU DE L'UTILISATION DU PRODUIT. CET AVIS DE NON-RESPONSABILITÉ S'APPLIQUE PENDANT ET APRÈS LA PÉRIODE COUVERTE PAR CETTE GARANTIE. MAKITA DÉCLINE TOUTE RESPONSABILITÉ QUANT À TOUTES GARANTIES IMPLICITES, Y COMPRIS LES GARANTIES DE « QUALITÉ MARCHANDE » OU D'« ADAPTATION À UN USAGE PARTICULIER » APRÈS LA PÉRIODE DE GARANTIE D'UN AN.

Cette garantie vous donne des droits légaux spécifiques, et vous pouvez également avoir d'autres droits qui varient d'une province à l'autre. Certaines provinces n'autorisant pas l'exclusion ou la restriction des dommages accessoires ou consécutifs, il se peut que la restriction ou l'exclusion ci-dessus ne s'applique pas à vous. Certaines provinces n'autorisant pas de restriction quant à la durée des garanties implicites, il se peut que la restriction ci-dessus ne s'applique pas à vous.

## ENTRETIEN

**⚠ ATTENTION :** Assurez-vous toujours que l'outil est hors tension et que la batterie est retirée avant d'y effectuer tout travail d'inspection ou d'entretien.

**AVIS :** N'utilisez jamais d'essence, de benzine, de solvant, d'alcool ou autres produits similaires. Une décoloration, une déformation ou la formation de fissures peuvent en découler.

Pour maintenir la SÉCURITÉ et la FIABILITÉ du produit, les réparations et tout autre travail d'entretien ou de réglage doivent être effectués dans un centre de service après-vente autorisé ou une usine Makita, exclusivement avec des pièces de rechange Makita.

## ACCESSOIRES EN OPTION

**⚠ ATTENTION :** Ces accessoires ou pièces complémentaires sont recommandés pour l'utilisation avec l'outil Makita spécifié dans ce manuel. L'utilisation de tout autre accessoire ou pièce complémentaire peut comporter un risque de blessure. N'utilisez les accessoires ou pièces complémentaires qu'aux fins auxquelles ils ont été conçus.

## ESPECIFICACIONES

Modelo:	DRT50
Capacidad de la pinza de sujeción	1/4" o 3/8"
Velocidad sin carga	10 000 r/min - 30 000 r/min
Longitud total	226 mm (8-7/8")
Tensión nominal	18 V c.c.
Batería estándar	BL1815N / BL1820B / BL1830 / BL1830B / BL1840B / BL1850B / BL1860B
Peso neto	1,8 kg - 2,1 kg (3,9 lbs - 4,6 lbs)

- Debido a nuestro continuo programa de investigación y desarrollo, las especificaciones aquí incluidas están sujetas a cambio sin previo aviso.
- Las especificaciones y el cartucho de batería pueden variar de país a país.
- El peso puede variar en función de los accesorios, incluido el cartucho de batería. En la tabla se muestra la combinación de peso más ligero y más pesado conforme al procedimiento 01/2014 de EPTA.

## ADVERTENCIAS DE SEGURIDAD

### Advertencias generales de seguridad para herramientas eléctricas

**⚠️ ADVERTENCIA:** Lea todas las advertencias de seguridad, instrucciones, ilustraciones y especificaciones suministradas con esta herramienta eléctrica. El no seguir todas las instrucciones indicadas a continuación podría ocasionar una descarga eléctrica, incendio y/o lesiones graves.

### Conserve todas las advertencias e instrucciones como referencia en el futuro.

En las advertencias, el término "herramienta eléctrica" se refiere a su herramienta eléctrica de funcionamiento con conexión a la red eléctrica (con cableado eléctrico) o herramienta eléctrica de funcionamiento a batería (inalámbrica).

#### Seguridad en el área de trabajo

1. **Mantenga el área de trabajo limpia y bien iluminada.** Las áreas oscuras o desordenadas son propensas a accidentes.
2. **No utilice las herramientas eléctricas en atmósferas explosivas, tal como en la presencia de líquidos, gases o polvo inflamables.** Las herramientas eléctricas crean chispas que pueden prender fuego al polvo o los humos.
3. **Mantenga a los niños y curiosos alejados mientras utiliza una herramienta eléctrica.** Las distracciones le pueden hacer perder el control.

#### Seguridad eléctrica

1. **Las clavijas de conexión de las herramientas eléctricas deberán encajar perfectamente en la toma de corriente. No modifique nunca la clavija de conexión de ninguna forma. No utilice ninguna clavija adaptadora con herramientas eléctricas**

**que tengan conexión a tierra (puesta a tierra).** La utilización de clavijas no modificadas y que encajen perfectamente en la toma de corriente reducirá el riesgo de que se produzca una descarga eléctrica.

2. **Evite tocar con el cuerpo superficies conectadas a tierra o puestas a tierra tales como tubos, radiadores, cocinas y refrigeradores.** Si su cuerpo es puesto a tierra o conectado a tierra existirá un mayor riesgo de que sufra una descarga eléctrica.
3. **No exponga las herramientas eléctricas a la lluvia ni a condiciones húmedas.** La entrada de agua en una herramienta eléctrica aumentará el riesgo de que se produzca una descarga eléctrica.
4. **No maltrate el cable. Nunca utilice el cable para transportar, jalar o desconectar la herramienta eléctrica.** Mantenga el cable alejado del calor, aceite, objetos cortantes o piezas móviles. Los cables dañados o enredados aumentan el riesgo de sufrir una descarga eléctrica.
5. **Cuando utilice una herramienta eléctrica en exteriores, utilice un cable de extensión apropiado para uso en exteriores.** La utilización de un cable apropiado para uso en exteriores reducirá el riesgo de que se produzca una descarga eléctrica.
6. **Si no es posible evitar usar una herramienta eléctrica en condiciones húmedas, utilice un alimentador protegido con interruptor de circuito de falla a tierra (ICFT).** El uso de un ICFT reduce el riesgo de descarga eléctrica.
7. **Las herramientas eléctricas pueden producir campos electromagnéticos (CEM) que no son dañinos para el usuario.** Sin embargo, si los usuarios tienen marcapasos y otros dispositivos médicos similares, deberán consultar al fabricante de su dispositivo y/o a su médico antes de operar esta herramienta eléctrica.

#### Seguridad personal

1. **Manténgase alerta, preste atención a lo que está haciendo y utilice su sentido común cuando opere una herramienta eléctrica. No utilice una herramienta eléctrica cuando esté cansado o bajo la influencia de drogas, alcohol o medicamentos.** Un momento de distracción mientras opera las herramientas eléctricas puede terminar en una lesión grave.



2. **Use equipo de protección personal. Póngase siempre protección para los ojos.** El equipo protector tal como máscara contra el polvo, zapatos de seguridad antiderrapantes, casco rígido y protección para oídos utilizado en las condiciones apropiadas reducirá el riesgo de lesiones.
  3. **Impida el encendido accidental. Asegúrese de que el interruptor esté en la posición de apagado antes de conectar a la alimentación eléctrica y/o de colocar el cartucho de batería, así como al levantar o cargar la herramienta.** Cargar las herramientas eléctricas con su dedo en el interruptor o enchufarlas con el interruptor encendido hace que los accidentes sean comunes.
  4. **Retire cualquier llave de ajuste o llave de apriete antes de encender la herramienta.** Una llave de ajuste o llave de apriete que haya sido dejada puesta en una parte giratoria de la herramienta eléctrica puede ocasionar alguna lesión.
  5. **No utilice la herramienta donde no alcance.** Mantenga los pies sobre suelo firme y el equilibrio en todo momento. Esto permite un mejor control de la herramienta eléctrica en situaciones inesperadas.
  6. **Use una vestimenta apropiada. No use ropa suelta ni alhajas. Mantenga el cabello, la ropa y los guantes alejados de las piezas móviles.** Las prendas de vestir holgadas, las alhajas y el cabello largo suelto podrían engancharse en estas piezas móviles.
  7. **Si dispone de dispositivos para la conexión de equipos de extracción y recolección de polvo, asegúrese de conectarlos y utilizarlos debidamente.** Hacer uso de la recolección de polvo puede reducir los riesgos relacionados con el polvo.
  8. **No permita que la familiaridad adquirida debido al uso frecuente de las herramientas haga que se sienta confiado e ignore los principios de seguridad de las herramientas.** Un descuido podría ocasionar una lesión grave en una fracción de segundo.
  9. **Utilice siempre gafas protectoras para proteger sus ojos de lesiones al usar herramientas eléctricas. Las gafas deben cumplir con la Norma ANSI Z87.1 en EUA.** Es responsabilidad del empleador imponer el uso de equipos protectores de seguridad apropiados a los operadores de la herramienta y demás personas cerca del área de trabajo.
4. **Guarde la herramienta eléctrica que no use fuera del alcance de los niños y no permita que las personas que no están familiarizadas con ella o con las instrucciones la operen.** Las herramientas eléctricas son peligrosas en manos de personas que no saben operarlas.
  5. **Dé mantenimiento a las herramientas eléctricas y los accesorios. Compruebe que no haya piezas móviles desalineadas o estancadas, piezas rotas y cualquier otra condición que pueda afectar al funcionamiento de la herramienta eléctrica. Si la herramienta eléctrica está dañada, haga que la reparen antes de utilizarla.** Muchos de los accidentes son ocasionados por no dar un mantenimiento adecuado a las herramientas eléctricas.
  6. **Mantenga las herramientas de corte limpias y filosas.** Si recibe un mantenimiento adecuado y tiene los bordes afilados, es probable que la herramienta se atasque menos y sea más fácil controlarla.
  7. **Utilice la herramienta eléctrica, los accesorios y las brocas de acuerdo con estas instrucciones, considerando las condiciones laborales y el trabajo a realizar.** Si utiliza la herramienta eléctrica para realizar operaciones distintas de las indicadas, podrá presentarse una situación peligrosa.
  8. **Mantenga los mangos y superficies de asimiento secos, limpios y libres de aceite o grasa.** Los mangos y superficies de asimiento resbalosos no permiten una manipulación segura ni el control de la herramienta en situaciones inesperadas.
  9. **Cuando vaya a utilizar esta herramienta, evite usar guantes de trabajo de tela ya que éstos podrían atorarse.** Si los guantes de trabajo de tela llegan a atorarse en las piezas móviles, esto podría ocasionar lesiones personales.

#### Uso y cuidado de la herramienta a batería

1. **Recargue sólo con el cargador especificado por el fabricante.** Un cargador que es adecuado para un solo tipo de batería puede generar riesgo de incendio al ser utilizado con otra batería.
  2. **Utilice las herramientas eléctricas solamente con las baterías designadas específicamente para ellas.** La utilización de cualquier otra batería puede crear un riesgo de lesiones o incendio.
  3. **Cuando no se esté usando la batería, manténgala alejada de otros objetos metálicos, como sujetapapeles (clips), monedas, llaves, clavos, tornillos u otros objetos pequeños de metal los cuales pueden actuar creando una conexión entre las terminales de la batería.** Originar un cortocircuito en las terminales puede causar quemaduras o incendios.
  4. **En condiciones abusivas, podrá escapar líquido de la batería; evite tocarlo. Si hay contacto del líquido con los ojos, busque asistencia médica.** Puede que el líquido expulsado de la batería cause irritación o quemaduras.
  5. **No utilice una herramienta ni una batería que estén dañadas o hayan sido modificadas.** Las baterías dañadas o modificadas podrían ocasionar una situación inesperada provocando un incendio, explosión o riesgo de lesiones.
- Mantenimiento y uso de la herramienta eléctrica**
1. **No fuerce la herramienta eléctrica. Utilice la herramienta eléctrica correcta para su aplicación.** La herramienta eléctrica adecuada hará un mejor trabajo y de forma más segura a la velocidad para la que ha sido fabricada.
  2. **No utilice la herramienta eléctrica si el interruptor no la enciende y apaga.** Cualquier herramienta eléctrica que no pueda ser controlada con el interruptor es peligrosa y debe ser reemplazada.
  3. **Desconecte la clavija de la fuente de alimentación y/o retire la batería de la herramienta eléctrica, en caso de ser removible, antes de realizar ajustes, cambiar accesorios o almacenar las herramientas eléctricas.** Tales medidas de seguridad preventivas reducirán el riesgo de poner en marcha la herramienta eléctrica de forma accidental.

6. **No exponga la herramienta ni la batería al fuego ni a una temperatura excesiva.** La exposición al fuego o a una temperatura superior a los 130 °C podría causar una explosión.
7. **Siga todas las instrucciones para la carga y evite cargar la herramienta o la batería fuera del rango de temperatura especificado en las instrucciones.** Una carga inadecuada o a una temperatura fuera del rango especificado podría dañar la batería e incrementar el riesgo de incendio.
11. **Tenga cuidado con la dirección de giro y de avance de la fresa de la recortadora.**
12. **No deje la herramienta en marcha. Tenga en marcha la herramienta solamente cuando la tenga en la mano.**
13. **Apague siempre la herramienta y espere hasta que la fresa de la recortadora se haya detenido por completo antes de retirar la herramienta de la pieza de trabajo.**
14. **No toque la fresa de la recortadora inmediatamente después de la operación; podría estar extremadamente caliente y provocarle quemaduras en la piel.**

#### Servicio

1. **Haga que una persona calificada repare la herramienta eléctrica utilizando sólo piezas de repuesto idénticas.** Esto asegura que se mantenga la seguridad de la herramienta eléctrica.
2. **Nunca dé servicio a baterías que estén dañadas.** El servicio a las baterías solamente deberá ser efectuado por el fabricante o un agente de servicio autorizado.
3. **Siga las instrucciones para la lubricación y cambio de accesorios.**
4. **No modifique ni intente reparar el aparato ni el paquete de baterías salvo como se indique en las instrucciones para el uso y cuidado.**
15. **No manche la base de la herramienta con diluyente, gasolina, aceite o por el estilo.** Estos productos pueden ocasionar grietas en la base de la herramienta.
16. **Utilice fresas de la rebajadora de diámetro de vástago correcto y apropiado para la velocidad de la herramienta.**
17. **Algunos materiales contienen sustancias químicas que pueden ser tóxicas.** Tome precauciones para evitar la inhalación de polvo o que éste tenga contacto con la piel. Consulte la información de seguridad del proveedor de los materiales.
18. **Siempre utilice el respirador/máscara indicado para protegerse del polvo que corresponda con la aplicación o material con el que trabaje.**

### Advertencias de seguridad para la recortadora inalámbrica

1. **Sujete la herramienta eléctrica solamente por las superficies de asiento aisladas, ya que la pieza de corte podría hacer contacto con cableado oculto.** Si se corta un cable con corriente, las piezas metálicas expuestas de la herramienta eléctrica se cargarán también de corriente y el operador podría recibir una descarga eléctrica.
2. **Utilice abrazaderas o algún otro medio práctico para asegurar y sujetar la pieza de trabajo a una plataforma estable.** Sostener la pieza de trabajo con la mano o contra su cuerpo produce inestabilidad y puede ocasionar la pérdida de control.
3. **Póngase protección para los oídos durante los periodos de operación prolongados.**
4. **Manipule las fresas de la recortadora con mucho cuidado.**
5. **Inspeccione la fresa de la recortadora cuidadosamente para ver si tiene grietas o daños antes de la operación.** Reemplace la fresa inmediatamente si está agrietada o dañada.
6. **Evite cortar clavos.** Inspeccione y quite todos los clavos de la pieza de trabajo antes de la operación.
7. **Sostenga la herramienta con firmeza.**
8. **Mantenga las manos alejadas de las piezas giratorias.**
9. **Asegúrese de que la fresa de la recortadora no esté haciendo contacto con la pieza de trabajo antes de activar el interruptor.**
10. **Antes de usar la herramienta en una pieza de trabajo, déjala un rato en funcionamiento.** Observe si se producen vibraciones o desequilibrios que pudieran indicar que la broca está mal colocada.

### GUARDE ESTAS INSTRUCCIONES.

**⚠ADVERTENCIA: NO DEJE** que la comodidad o familiaridad con el producto (a base de utilizarlo repetidamente) sustituya la estricta observancia de las normas de seguridad para dicho producto. **El MAL USO o el no seguir las normas de seguridad establecidas en este manual de instrucciones puede ocasionar lesiones personales graves.**

### Símbolos

A continuación se muestran los símbolos utilizados para la herramienta.

V	volts o voltios
— — —	corriente directa o continua
n <sub>0</sub>	velocidad sin carga
... /min r /min	revoluciones o alternaciones por minuto, frecuencia de rotación

### Instrucciones importantes de seguridad para el cartucho de batería

1. **Antes de utilizar el cartucho de batería, lea todas las instrucciones e indicaciones de precaución en el (1) el cargador de batería, (2) la batería, y (3) el producto con el que se utiliza la batería.**
2. **No desarme el cartucho de batería.**

3. Si el tiempo de operación se ha acortado en exceso, deje de operar de inmediato. Podría correrse el riesgo de sobrecalentamiento, posibles quemaduras e incluso explosión.
4. En caso de que ingresen electrolitos en sus ojos, enjuáguelos bien con agua limpia y consulte de inmediato a un médico. Esto podría ocasionar pérdida de visión.
5. Evite cortocircuitar el cartucho de batería:
  - (1) No toque las terminales con ningún material conductor.
  - (2) Evite guardar el cartucho de batería en un cajón junto con otros objetos metálicos, tales como clavos, monedas, etc.
  - (3) No exponga el cartucho de batería al agua o la lluvia.

Un cortocircuito en la batería puede causar un flujo grande de corriente, sobrecalentamiento, posibles quemaduras e incluso una descompostura.

6. No guarde la herramienta ni el cartucho de batería en lugares donde la temperatura pueda alcanzar o exceder los 50°C (122°F).
7. Nunca incinere el cartucho de batería incluso en el caso de que esté dañado seriamente o ya no sirva en absoluto. El cartucho de batería puede explotar si se tira al fuego.
8. Tenga cuidado de no dejar caer ni golpear la batería.
9. No use una batería dañada.
10. Las baterías de ión de litio están sujetas a los requisitos reglamentarios en materia de bienes peligrosos.

Para el transporte comercial, por ej., mediante terceros o agentes de transporte, se deben tomar en cuenta los requisitos especiales relativos al empaque y el etiquetado.

Para efectuar los preparativos del artículo que se va a enviar, se requiere consultar a un experto en materiales peligrosos. Si es posible, consulte además otras regulaciones nacionales más detalladas.

Pegue o cubra con cinta adhesiva los contactos abiertos y empaque la batería de manera que ésta no pueda moverse dentro del paquete.

11. **Siga las regulaciones locales relacionadas al desecho de las baterías.**
12. **Utilice las baterías únicamente con los productos especificados por Makita.** Instalar las baterías en productos que no cumplan con los requisitos podría ocasionar un incendio, un calentamiento excesivo, una explosión o una fuga de electrolito.

## GUARDE ESTAS INSTRUCCIONES.

**⚠PRECAUCIÓN:** Utilice únicamente baterías originales de Makita. El uso de baterías no originales de Makita, o de baterías alteradas, puede ocasionar que las baterías exploten causando un incendio, lesiones personales y daños. Asimismo, esto invalidará la garantía de Makita para la herramienta y el cargador Makita.

## Consejos para alargar al máximo la vida útil de la batería

1. Cargue el cartucho de batería antes de que se descargue completamente. Pare siempre la operación y cargue el cartucho de batería cuando note menos potencia en la herramienta.
2. No cargue nunca un cartucho de batería que esté completamente cargado. La sobrecarga acortará la vida de servicio de la batería.
3. Cargue el cartucho de batería a una temperatura ambiente de 10 °C - 40 °C (50 °F - 104 °F). Si un cartucho de batería está caliente, déjelo enfriar antes de cargarlo.
4. Cargue el cartucho de batería si no va a utilizarlo durante un período prolongado (más de seis meses).

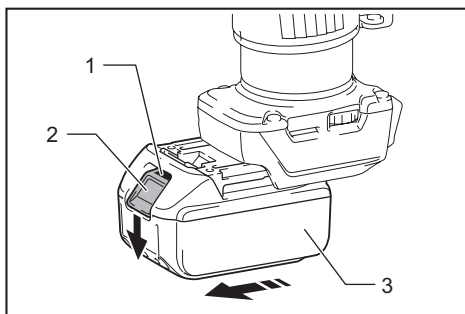
## DESCRIPCIÓN DEL FUNCIONAMIENTO

**⚠PRECAUCIÓN:** Asegúrese siempre de que la herramienta esté apagada y el cartucho de batería haya sido extraído antes de realizar cualquier ajuste o comprobación en la herramienta.

## Instalación o extracción del cartucho de batería

**⚠PRECAUCIÓN:** Apague siempre la herramienta antes de colocar o quitar el cartucho de batería.

**⚠PRECAUCIÓN:** Sujete la herramienta y el cartucho de la batería con firmeza al colocar o quitar el cartucho de batería. Si no se sujeta con firmeza la herramienta y el cartucho de batería, puede ocasionar que se resbalen de sus manos causando daños a la herramienta y al cartucho de batería, así como lesiones a la persona.



► 1. Indicador rojo 2. Botón 3. Cartucho de batería

Para quitar el cartucho de batería, deslícelo de la herramienta mientras desliza el botón sobre la parte delantera del cartucho.

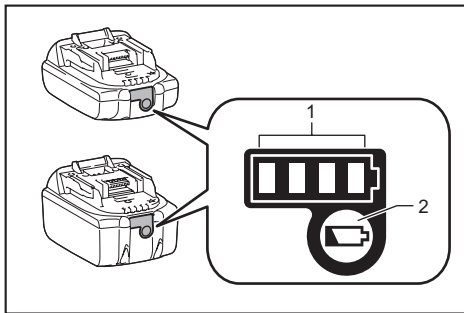
Para colocar el cartucho de batería, alinee la lengüeta sobre el cartucho de batería con la ranura en la carcasa y deslice en su lugar. Inserte por completo hasta que se fije en su lugar con un pequeño clic. Si puede ver el indicador rojo del lado superior del botón, esto indica que no ha quedado fijo por completo.

**⚠️ PRECAUCIÓN:** Introduzca siempre completamente el cartucho de batería hasta que el indicador rojo no pueda verse. Si no, podría accidentalmente salirse de la herramienta y caer al suelo causando una lesión a usted o alguien a su alrededor.

**⚠️ PRECAUCIÓN:** No instale el cartucho de batería a la fuerza. Si el cartucho no se desliza al interior fácilmente, se debe a que no está siendo insertado correctamente.

## Indicación de la capacidad restante de la batería

Únicamente para cartuchos de batería con el indicador



► 1. Luces indicadoras 2. Botón de verificación

Oprima el botón de verificación en el cartucho de la batería para que indique la capacidad restante de la batería. Las luces indicadoras se iluminarán por algunos segundos.

Luces indicadoras			Capacidad restante
Iluminadas	Apagadas	Parpadeando	
■ ■ ■ ■	□ □ □ □	▬	75% a 100%
■ ■ ■ □	□ □ □ □	▬	50% a 75%
■ ■ □ □	□ □ □ □	▬	25% a 50%
■ □ □ □	□ □ □ □	▬	0% a 25%
▬ □ □ □	□ □ □ □	▬	Cargar la batería.
■ ■ □ □	□ □ □ □	▬	La batería pudo haber funcionado mal.
□ □ ■ ■	□ □ □ □	▬	

**NOTA:** Dependiendo de las condiciones de uso y la temperatura ambiente, la indicación podrá diferir ligeramente de la capacidad real.

## Sistema de protección para la herramienta/batería

La herramienta está equipada con un sistema de protección de la herramienta/batería. Este sistema corta en forma automática el suministro de energía al motor para prolongar la vida útil de la herramienta y la batería. La herramienta se detendrá automáticamente durante la operación si la herramienta o la batería se someten a una de las siguientes condiciones:

### Protección contra sobrecarga

Cuando la batería se esté utilizando de una manera que cause que consuma una cantidad de corriente anormalmente alta, la herramienta se detendrá automáticamente sin indicación alguna. En este caso, apague la herramienta y detenga la aplicación que causó que la herramienta se sobrecargara. Luego encienda la herramienta para reiniciarla.

### Protección contra sobrecalentamiento

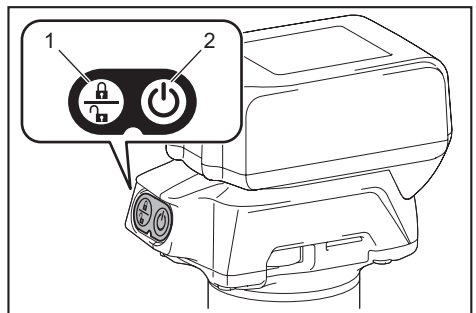
Cuando la herramienta o la batería se sobrecalienten, la herramienta se detendrá automáticamente y la lámpara parpadeará. En este caso, permita que la herramienta y la batería se enfríen antes de volver a encender la herramienta.

### Protección en caso de sobredescarga

Cuando la capacidad de la batería no es suficiente, la herramienta se detiene automáticamente. En este caso, retire la batería de la herramienta y cárguela.

## Accionamiento del interruptor

Para encender la herramienta, oprima el botón de bloqueo/desbloqueo. La herramienta se pondrá en el modo en espera. Para arrancar la herramienta, oprima el botón de encendido/apagado en el modo en espera. Para detener la herramienta, oprima el botón de encendido/apagado nuevamente. La herramienta se pondrá en el modo en espera. Para apagar la herramienta, oprima el botón de bloqueo/desbloqueo en el modo en espera.



► 1. Botón de bloqueo/desbloqueo 2. Botón de encendido/apagado

**NOTA:** Si la herramienta permanece 10 segundos en el modo en espera sin realizar ninguna operación, ésta se apagará automáticamente y la lámpara se desactivará.

**NOTA:** Usted también podrá detener y apagar la herramienta mientras ésta esté en marcha oprimiendo el botón de bloqueo/desbloqueo.

## Iluminación de la luz delantera

**⚠PRECAUCIÓN:** No mire a la luz ni vea a la fuente de luz directamente.

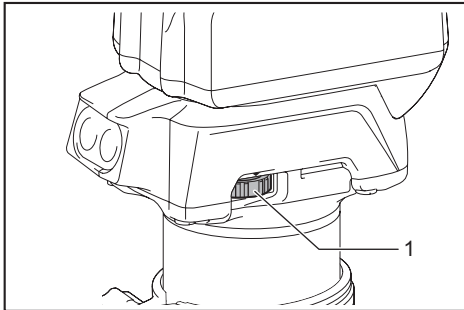
Para encender la lámpara, oprima el botón de bloqueo/desbloqueo. Para apagar la lámpara, oprima el botón de bloqueo/desbloqueo nuevamente.

**AVISO:** Cuando la herramienta se sobrecaliente, la lámpara comenzará a parpadear. Permita que la herramienta se enfríe por completo antes de volver a usarla.

**NOTA:** Utilice un paño seco para quitar la suciedad de la lente de la lámpara. Tenga cuidado de no rayar la lente de la lámpara ya que la iluminación podría disminuir.

## Selector de ajuste de velocidad

La velocidad de rotación de la herramienta se puede cambiar girando el selector de ajuste de velocidad. La tabla a continuación muestra el número en el selector y la velocidad de rotación correspondiente.



► 1. Selector de ajuste de velocidad

Número	Velocidad
1	10 000 r/min
2	15 000 r/min
3	20 000 r/min
4	25 000 r/min
5	30 000 r/min

**AVISO:** Si la herramienta es usada de manera continua a baja velocidad durante un tiempo prolongado, el motor se sobrecargará ocasionando una falla en la herramienta.

**AVISO:** Cuando vaya a cambiar el selector de velocidad de "5" a "1", gire el selector en sentido inverso al de las manecillas del reloj. Evite girar el selector en el sentido de las manecillas del reloj forzosamente.

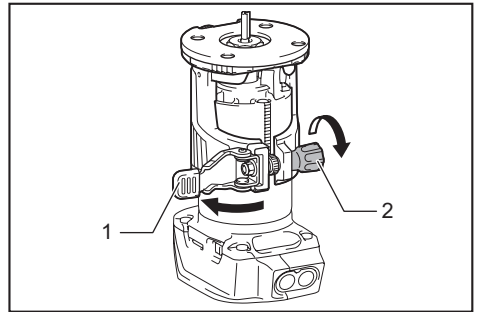
## Funcionamiento electrónico

La herramienta está equipada con funciones electrónicas para facilitar la operación.

- Control de velocidad constante  
La función de control de velocidad permite una rotación constante independientemente de las condiciones de carga.
- Arranque suave  
La función de arranque suave minimiza el impacto de encendido y hace que la herramienta se ponga en marcha suavemente.

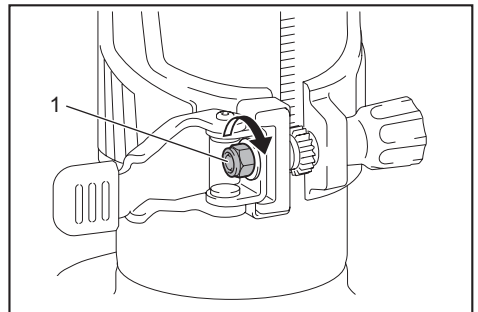
## Ajuste de la profundidad de corte

Para ajustar la profundidad de corte, abra la palanca de bloqueo, luego mueva la base de la herramienta hacia arriba o hacia abajo girando el tornillo de ajuste. Después del ajuste, cierre la palanca de bloqueo firmemente.



► 1. Palanca de bloqueo 2. Tornillo de ajuste

**AVISO:** Si la herramienta no queda asegurada después de cerrar la palanca de bloqueo, apriete la tuerca hexagonal y luego cierre la palanca de bloqueo.

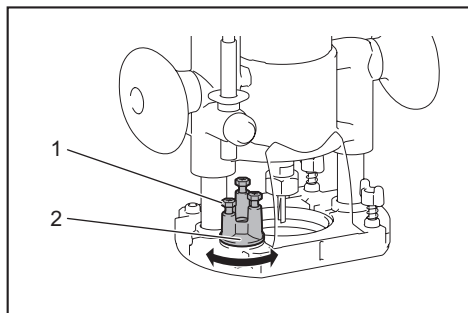


► 1. Tuerca hexagonal

## Ajuste de la profundidad de corte con la base de inmersión

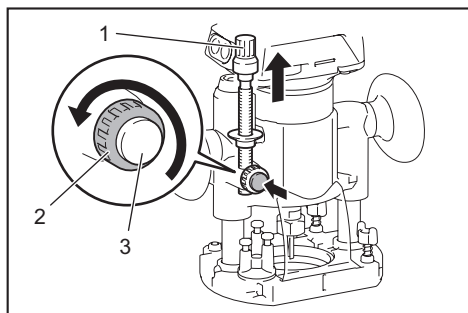
### Accesorio opcional

1. Coloque la herramienta sobre una superficie plana.
2. Elija el tornillo de tope girando la base de tope.



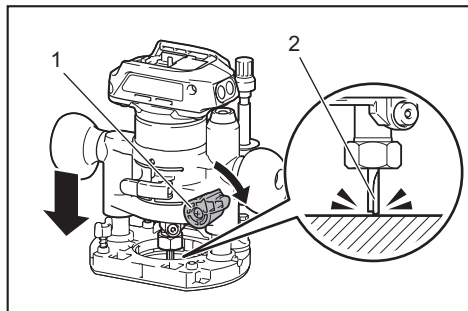
- 1. Tornillo de tope 2. Base de tope

3. Afloje la tuerca de fijación de la barra de tope, luego jale hacia arriba la barra de tope mientras oprime el botón de alimentación.



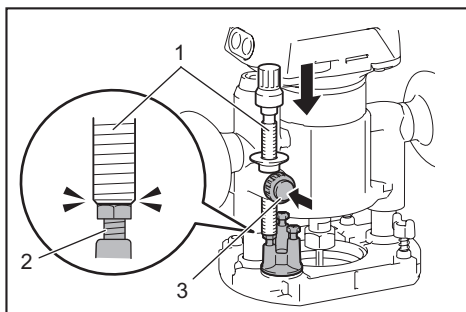
- 1. Barra de tope 2. Tuerca de fijación 3. Botón de alimentación

4. Empuje la herramienta hacia abajo hasta que la punta de la fresa de la recortadora toque la superficie plana, y luego gire la palanca de fijación para asegurar la herramienta.



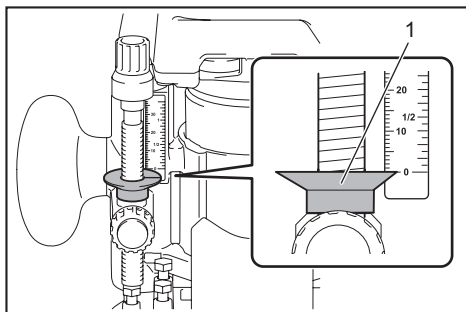
- 1. Palanca de fijación 2. Fresa de la recortadora

5. Presione hacia abajo la barra de tope mientras oprime el botón de alimentación hasta que éste haga contacto con el tornillo de tope.



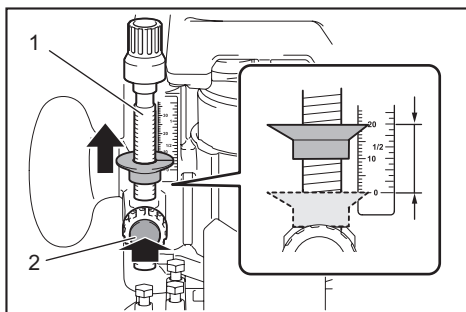
- 1. Barra de tope 2. Tornillo de tope 3. Botón de alimentación

6. Deslice el indicador de profundidad de manera que éste indique "0" en la escala.



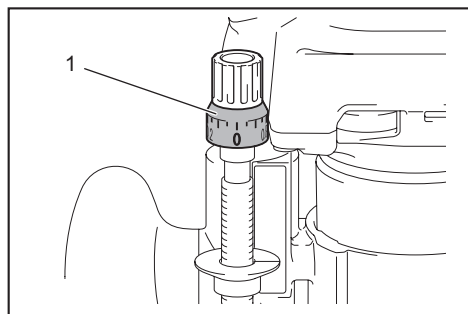
- 1. Indicador de profundidad

7. Ajuste la profundidad de corte jalando hacia arriba la barra de tope mientras oprime el botón de alimentación.



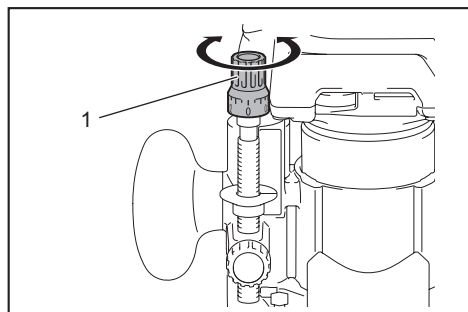
- 1. Barra de tope 2. Botón de alimentación

8. Para realizar un ajuste fino de la profundidad de corte, gire el selector en la barra de tope de manera que éste indique "0".



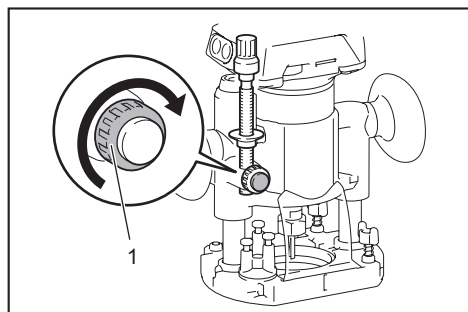
► 1. Selector

9. Gire la cabeza de la barra de tope para lograr la profundidad deseada. Para aumentar la profundidad, gire la cabeza en sentido inverso al de las manecillas del reloj. Para reducir la profundidad, gire la cabeza en el sentido de las manecillas del reloj.



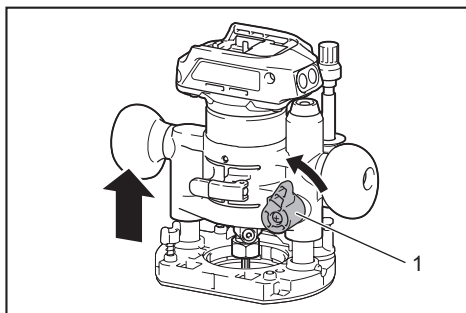
► 1. Cabeza de la barra de tope

10. Apriete la tuerca de fijación de la barra de tope.



► 1. Tuerca de fijación

11. Libere la palanca de fijación.



► 1. Palanca de fijación

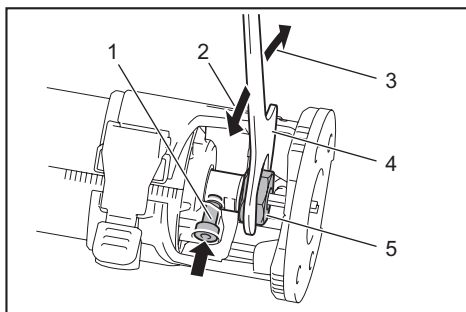
## MONTAJE

**PRECAUCIÓN:** Asegúrese siempre de que la herramienta esté apagada y el cartucho de batería haya sido extraído antes de realizar cualquier trabajo en la misma.

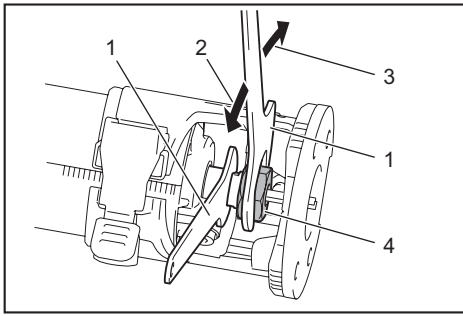
### Instalación o extracción de la fresa de la recortadora

**AVISO:** No apriete la tuerca de sujeción sin haber insertado la fresa. El cono de sujeción podría romperse.

Inserte la fresa de la recortadora hasta el fondo en el cono de sujeción. Presione el bloqueo del eje y apriete la tuerca de sujeción con la llave o apriétela firmemente con las dos llaves. Para retirar la fresa, siga el proceso de instalación en orden inverso.

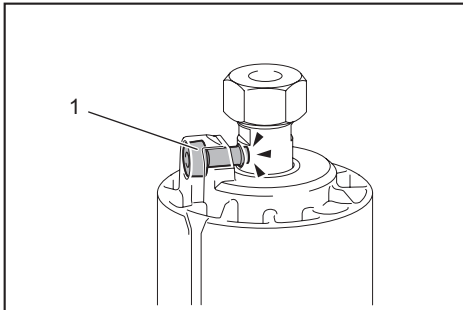


► 1. Bloqueo de eje 2. Aflojar 3. Apretar 4. Llave 5. Tuerca de sujeción



► 1. Llave 2. Aflojar 3. Apretar 4. Tuerca de sujeción

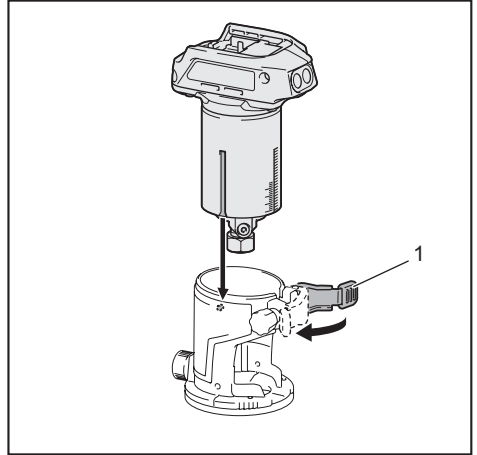
**NOTA:** El bloqueo del eje podría no regresar a la posición original cuando apriete la tuerca de sujeción durante la instalación de la fresa de la recortadora. El bloqueo del eje regresará a la posición original una vez que ponga en marcha la herramienta.



► 1. Bloqueo de eje

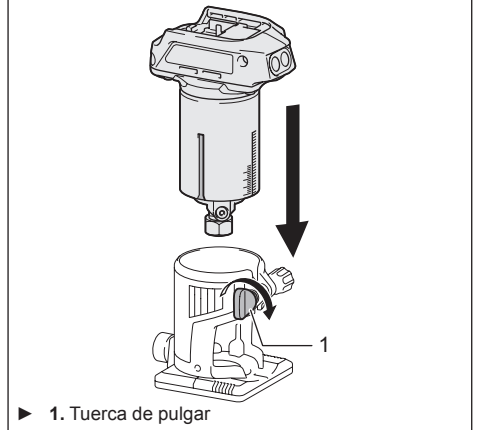
## Instalación o extracción de la base de la recortadora

1. Abra la palanca de bloqueo de la base de la recortadora, luego inserte la herramienta en la base de la recortadora alineando la ranura en la herramienta con la protuberancia en la base de la recortadora.



► 1. Palanca de bloqueo

**NOTA:** Puede usar la base de la recortadora (resina) como accesorio opcional según se muestra en la figura. Al usar la base de la recortadora (resina), afloje o apriete la tuerca de pulgar en lugar de abrir o cerrar la palanca de bloqueo.

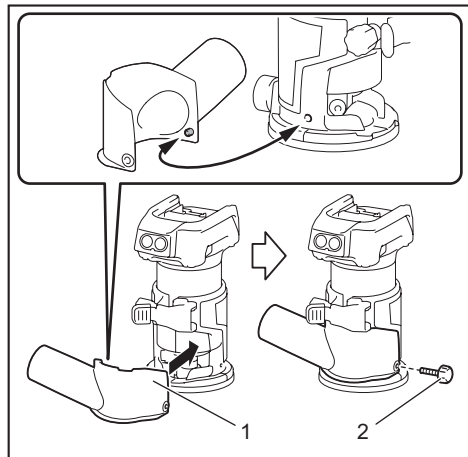


► 1. Tuerca de pulgar

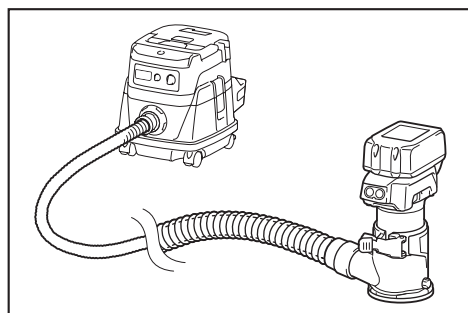
2. Cierre la palanca de bloqueo.



- Coloque la boquilla para polvo en la base de la recortadora y luego apriete el tornillo de pulgar.



- 1. Boquilla para polvo 2. Tornillo de pulgar



Para extraer la base, siga el procedimiento de instalación en orden inverso.

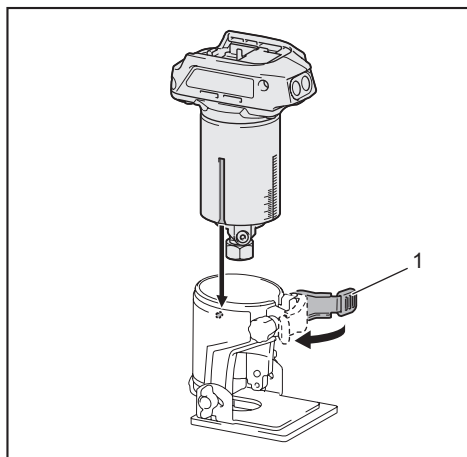
**PRECAUCIÓN:** Cuando vaya a utilizar la herramienta con la base de la recortadora, asegúrese de instalar la boquilla para polvo en la base de la recortadora.

**NOTA:** En algunos países, la boquilla para polvo puede no estar incluida en el paquete de la herramienta como accesorio estándar.

## Instalación o extracción de la base de inclinación

### Accesorio opcional

- Abra la palanca de bloqueo de la base de inclinación, luego inserte la herramienta en la base de inclinación alineando la ranura en la herramienta con la protuberancia en la base de inclinación.



- 1. Palanca de bloqueo

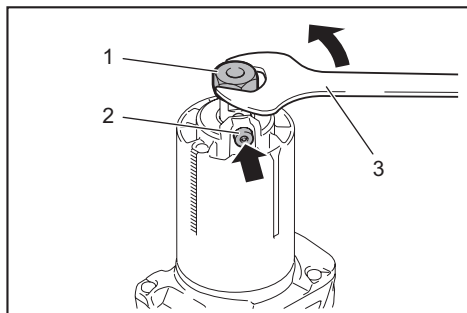
- Cierre la palanca de bloqueo.

Para extraer la base, siga el procedimiento de instalación en orden inverso.

## Instalación o extracción de la base descentrada

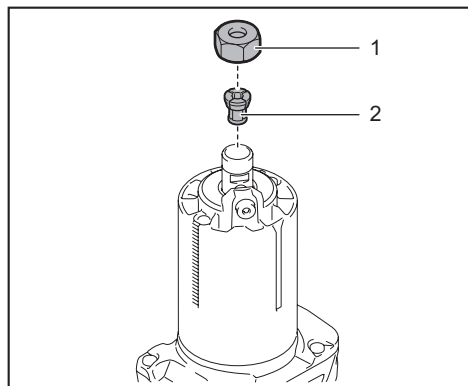
### Accesorio opcional

- Presione el bloqueo del eje y luego afloje la tuerca de sujeción.



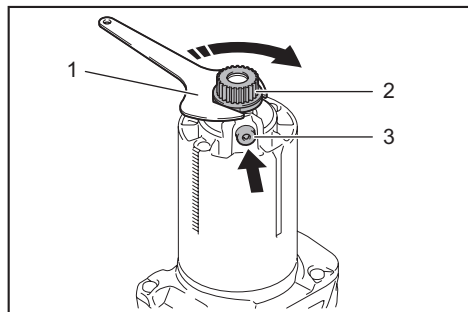
- 1. Tuerca de sujeción 2. Bloqueo de eje 3. Llave

2. Retire la tuerca de sujeción y el cono de sujeción.



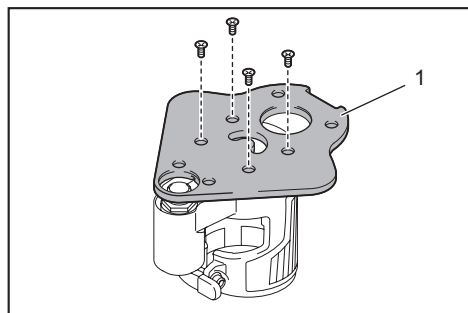
► 1. Tuerca de sujeción 2. Cono de sujeción

3. Instale la polea en la herramienta presionando el bloqueo del eje y apretando la polea con la llave.



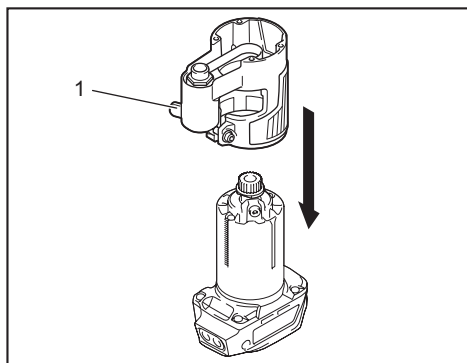
► 1. Llave 2. Polea 3. Bloqueo de eje

4. Afloje los tornillos en la placa de base y luego extraiga la placa de base.



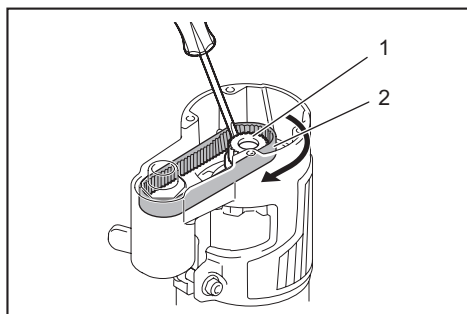
► 1. Placa de base

5. Abra la palanca de bloqueo de la base descentrada y luego inserte la herramienta en la base descentrada.



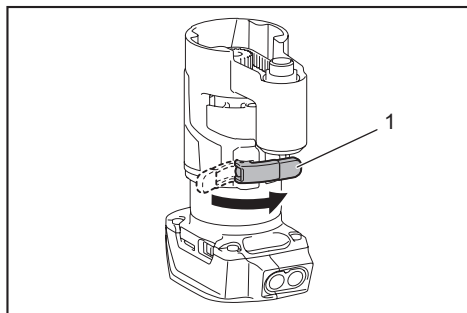
► 1. Palanca de bloqueo

6. Instale la correa en la polea girando la correa manualmente.



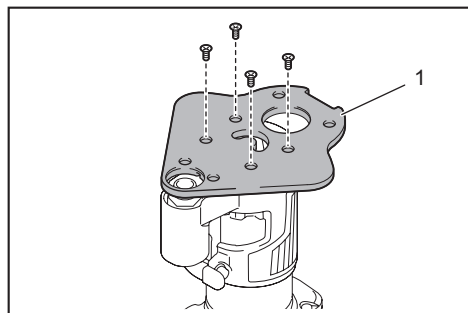
► 1. Polea 2. Correa

7. Cierre la palanca de bloqueo.



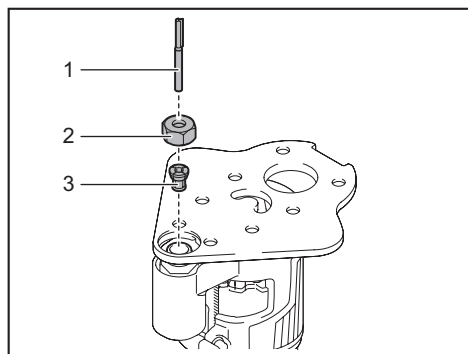
► 1. Palanca de bloqueo

8. Fije la placa de base apretando los tornillos.



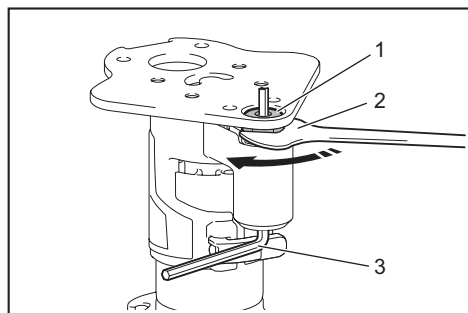
► 1. Placa de base

9. Inserte el cono de sujeción y la fresa de la recortadora en la base descentrada, y luego apriete la tuerca de sujeción.



► 1. Fresa de la recortadora 2. Tuerca de sujeción  
3. Cono de sujeción

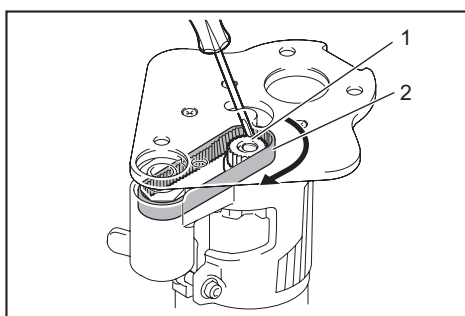
10. Inserte la llave hexagonal en el orificio de la base descentrada y luego apriete la tuerca de sujeción con la llave.



► 1. Tuerca de sujeción 2. Llave 3. Llave hexagonal

Para extraer la base, siga el procedimiento de instalación en orden inverso.

**NOTA:** Usted también puede instalar la correa en la polea sin extraer la placa de base tal como se muestra en la ilustración.

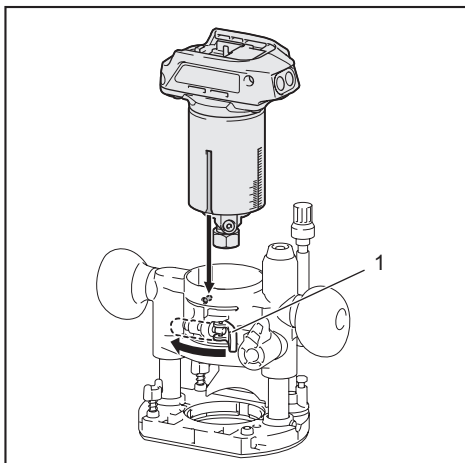


► 1. Polea 2. Correa

## Instalación o extracción de la base de inmersión

### Accesorio opcional

1. Abra la palanca de bloqueo de la base de inmersión, luego inserte la herramienta en la base de inmersión hasta el fondo, alineando la ranura en la herramienta con la protuberancia en la base de inmersión.



► 1. Palanca de bloqueo

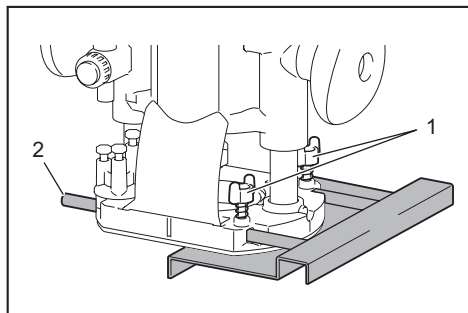
2. Cierre la palanca de bloqueo.

Para extraer la base, siga el procedimiento de instalación en orden inverso.

## Instalación o extracción de la regla paralela en la base de inmersión

### Accesorio opcional

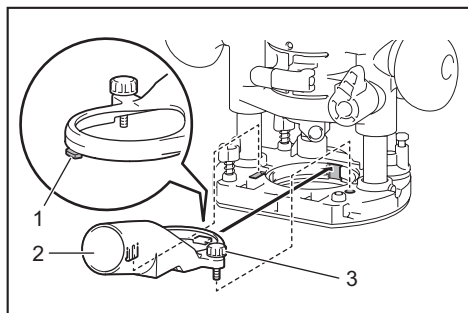
Inserte las barras de guía en los orificios en la base de inmersión y luego apriete los pernos de mariposa. Para retirar la regla, siga el procedimiento de instalación en orden inverso.



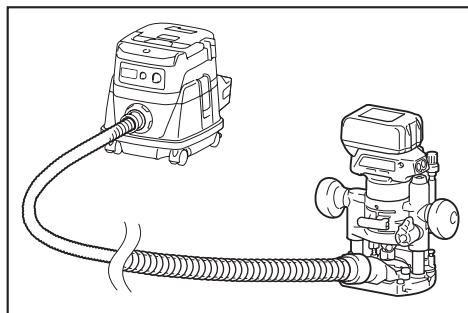
► 1. Perno de mariposa 2. Barra de guía

## Instalación o extracción de la boquilla para polvo en la base de inmersión

Inserte la boquilla para polvo en la base de inmersión de manera que la protuberancia en la boquilla para polvo encaje en la muesca en la base de inmersión, y luego apriete el tornillo de pulgar en la boquilla para polvo. Para extraer la boquilla, siga el procedimiento de instalación en orden inverso.



► 1. Protuberancia 2. Boquilla para polvo 3. Tornillo de pulgar

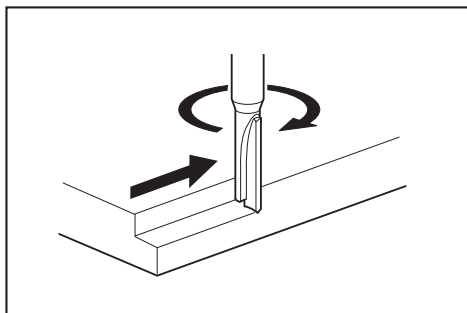


## OPERACIÓN

### Uso de la herramienta con la base de la recortadora

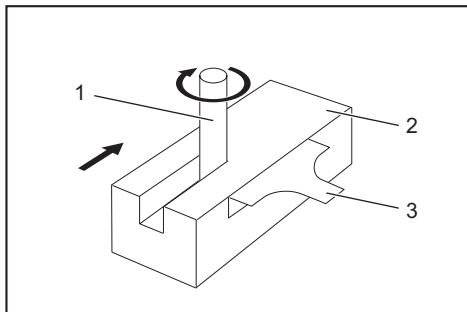
Coloque la base de la herramienta sobre la pieza de trabajo sin que la fresa de la recortadora haga contacto alguno. Encienda la herramienta y espere hasta que la fresa adquiera plena velocidad. Desplace la herramienta hacia adelante sobre la superficie de la pieza de trabajo. Mantenga la base de la herramienta nivelada mientras desplaza la herramienta.

Cuando vaya a cortar un borde, asegúrese de mantener la superficie de la pieza de trabajo del lado izquierdo de la fresa de la recortadora en la dirección de avance.



**NOTA:** Antes de cortar en la pieza de trabajo real, se recomienda hacer un corte de prueba. La velocidad de avance apropiada dependerá del tamaño de la fresa, el tipo de pieza de trabajo y la profundidad de corte. Si mueve la herramienta hacia delante muy de prisa podría ocasionar un corte de mala calidad, o dañar la fresa o el motor. Si mueve la herramienta hacia delante muy despacio podría quemar y arruinar el corte.

Cuando utilice la zapata de recorte, la guía recta o la guía de recorte, asegúrese de mantenerla del lado derecho en la dirección de avance. Esto ayudará a mantenerla al ras con el costado de la pieza de trabajo.



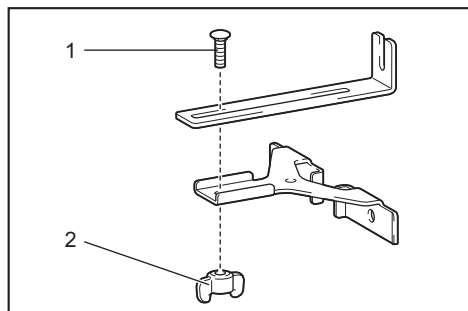
► 1. Fresa de la recortadora 2. Pieza de trabajo 3. Guía recta

**AVISO:** Puesto que un corte excesivo puede causar la sobrecarga del motor o dificultad para controlar la herramienta, la profundidad de corte no deberá ser de más de 3 mm (1/8") por pasada al hacer ranuras. Cuando desee hacer ranuras de más de 3 mm (1/8") de profundidad, haga varias pasadas ajustando la fresa a una profundidad cada vez mayor.

## Uso de la guía recta

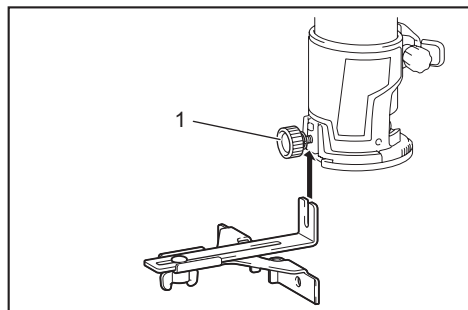
### Accesorio opcional

1. Ensamble la guía recta con el perno y la tuerca de mariposa.



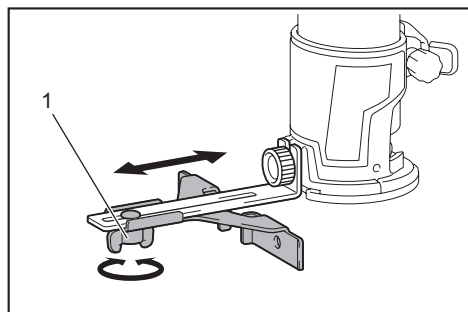
- 1. Perno 2. Tuerca de mariposa

2. Fije la guía recta a la base de la recortadora con el tornillo de fijación.



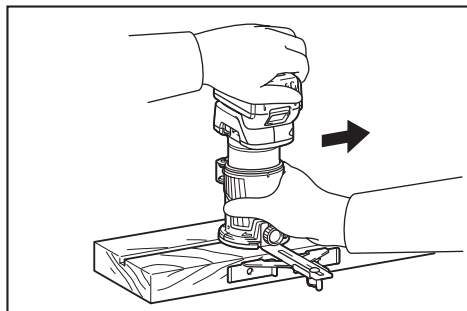
- 1. Tornillo de fijación

3. Afloje la tuerca de mariposa en la guía recta y ajuste la distancia entre la fresa y la guía recta. En la distancia deseada, apriete la tuerca de mariposa.

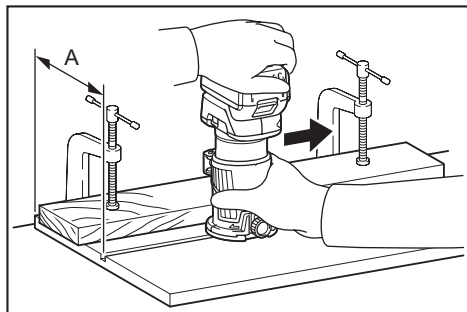


- 1. Tuerca de mariposa

4. Desplace la herramienta con la guía recta a ras con el lado de la pieza de trabajo.



Si la distancia (A) entre el costado de la pieza de trabajo y la posición de corte es muy ancha para la guía recta, o si el costado de la pieza de trabajo no es recto, no podrá utilizarse la guía recta. En este caso, sujete firmemente una tabla recta a la pieza de trabajo y utilícela como guía contra la base de la recortadora. Avance la herramienta en la dirección de la flecha.

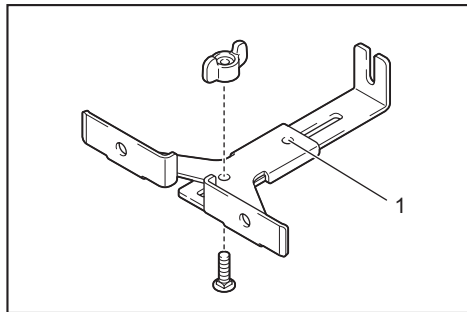


## Uso de la guía recta para hacer un corte circular

Para hacer un corte circular, ensamble la guía recta tal como se muestra en las ilustraciones. Los radios mínimo y máximo de los círculos a cortar (distancia entre el centro del círculo y el centro de la fresa) son los siguientes:

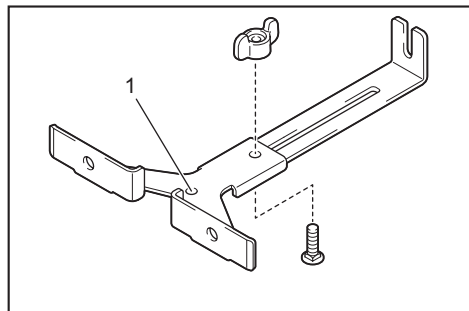
- Mínimo: 70 mm (2-3/4")
- Máximo: 221 mm (8-11/16")

**Para cortar círculos entre 70 mm (2-3/4") y 121 mm (4-3/4") de radio**



- 1. Orificio central

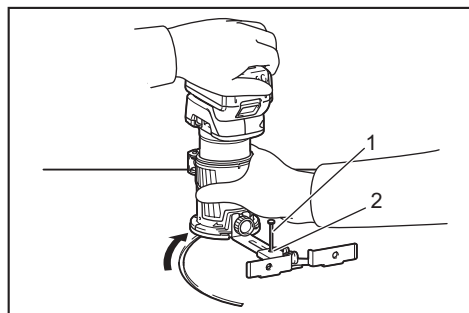
Para cortar círculos entre 121 mm (4-3/4") y 221 mm (8-11/16") de radio



► 1. Orificio central

**NOTA:** Con esta guía no se pueden cortar círculos de entre 172 mm (6-3/4") y 186 mm (7-5/16") de radio.

Alinee el orificio central en la guía recta con el centro del círculo a ser cortado. Inserte un clavo de menos de 6 mm (1/4") de diámetro en el orificio central para fijar la guía recta. Gire la herramienta alrededor del clavo en el sentido de las manecillas del reloj.



► 1. Clavo 2. Orificio central

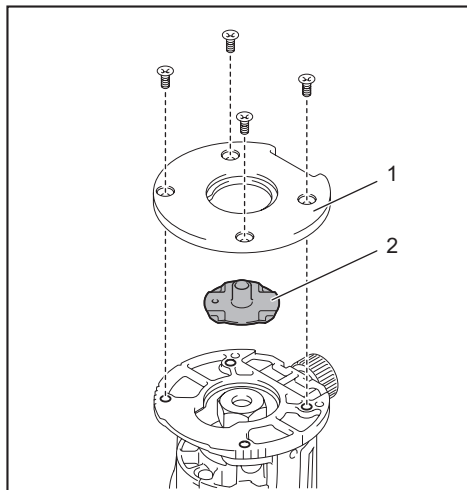
## Uso de la guía de plantilla

### Accesorio opcional

La guía de plantilla permite repetir un corte con los patrones de plantilla mediante el uso de una plantilla.

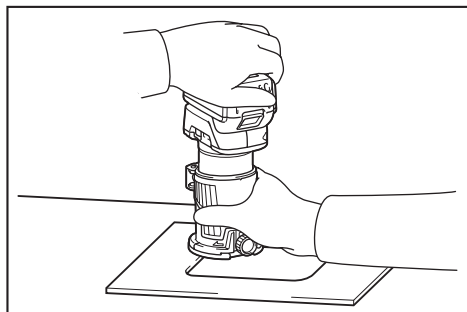
1. Afloje los tornillos en la placa de base y luego retire la placa de base de la base de la recortadora.

2. Coloque la guía de plantilla sobre la base y luego fije la placa de base apretando los tornillos.

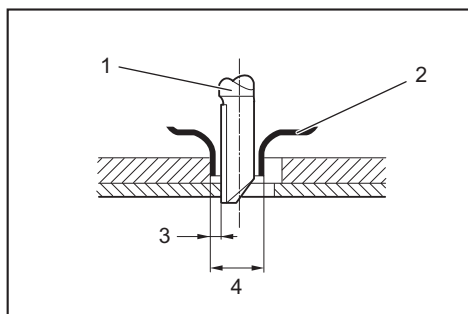


► 1. Placa de base 2. Guía de plantilla

3. Ponga la herramienta sobre la plantilla y mueva la herramienta deslizando la guía de plantilla a lo largo del costado de la plantilla.



**NOTA:** El tamaño real del corte en la pieza de trabajo difiere ligeramente de la plantilla. La diferencia consiste en la distancia (X) entre la fresa de la recortadora y el exterior de la guía de plantilla. La distancia (X) se puede calcular utilizando la siguiente ecuación:  
Distancia (X) = (diámetro exterior de la guía de plantilla - diámetro de la fresa de la recortadora) / 2

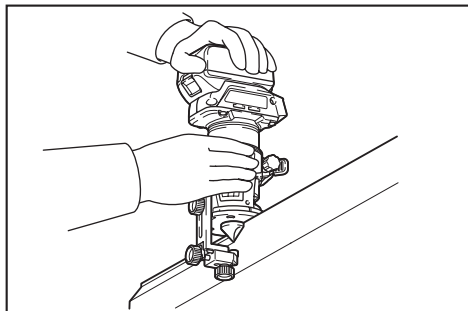


- 1. Fresa de la recortadora 2. Guía de plantilla  
3. Distancia (X) 4. Diámetro exterior de la guía de plantilla

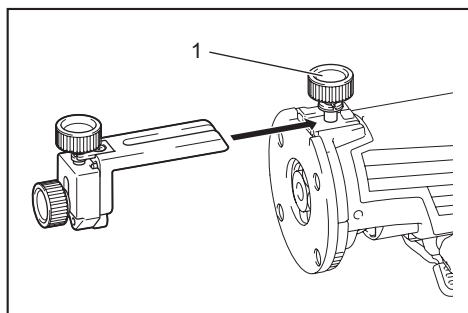
## Uso de la guía de recorte

### Accesorio opcional

La guía de recorte permite hacer cortes curvados como chapas para muebles moviendo el rodillo guía a lo largo del costado de la pieza de trabajo.

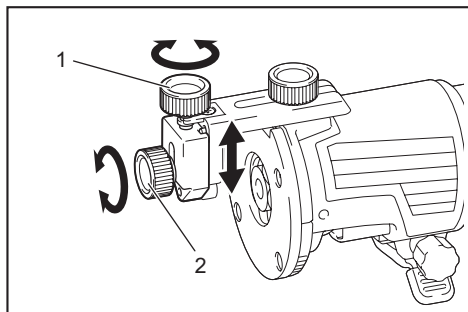


1. Afloje el tornillo de fijación, instale la guía de recorte en la base de la recortadora y luego apriete el tornillo de fijación.



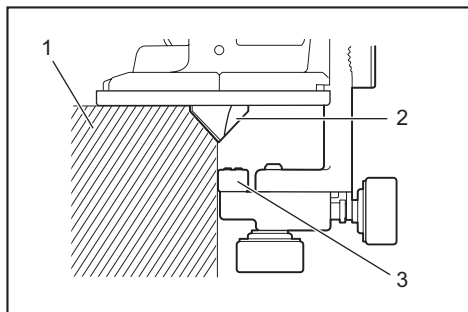
- 1. Tornillo de fijación

2. Afloje el tornillo de fijación y ajuste la distancia entre la fresa de la recortadora y la guía de recorte girando el tornillo de ajuste (1 mm (3/64") por vuelta). En la distancia deseada, apriete el tornillo de fijación para fijar la guía de recorte.



- 1. Tornillo de ajuste 2. Tornillo de fijación

3. Mueva la herramienta desplazando el rodillo guía a lo largo del costado de la pieza de trabajo.

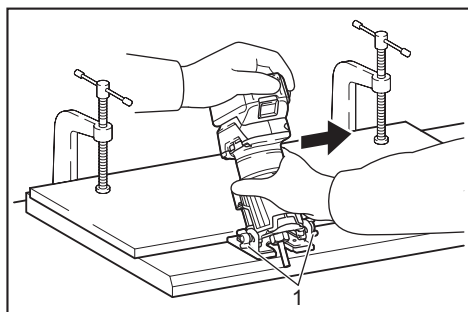


- 1. Pieza de trabajo 2. Fresa 3. Rodillo guía

## Uso de la herramienta con la base de inclinación

La base de inclinación es conveniente para el biselado. Afloje los tornillos de mariposa, luego incline la herramienta al ángulo deseado y después apriete los tornillos de mariposa.

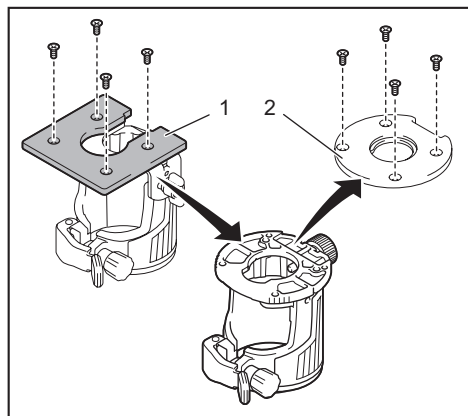
Sujete firmemente una tabla recta a la pieza de trabajo y utilícela como guía contra la base de inclinación. Avance la herramienta en la dirección de la flecha.



- 1. Tornillo de mariposa

## Uso de la placa de base de inclinación con la base de la recortadora

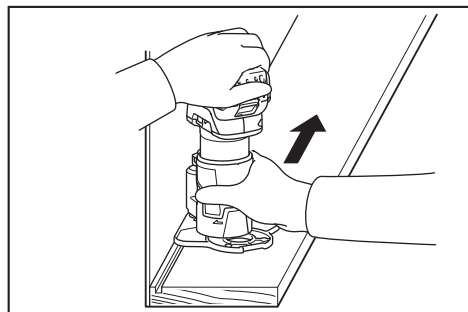
Para usar la base de la recortadora con una placa de base cuadrada, retire la placa de base de la base de inclinación y luego fíjela a la base de la recortadora.



► 1. Placa de base de inclinación 2. Placa de base de la recortadora

## Uso de la herramienta con la base descentrada

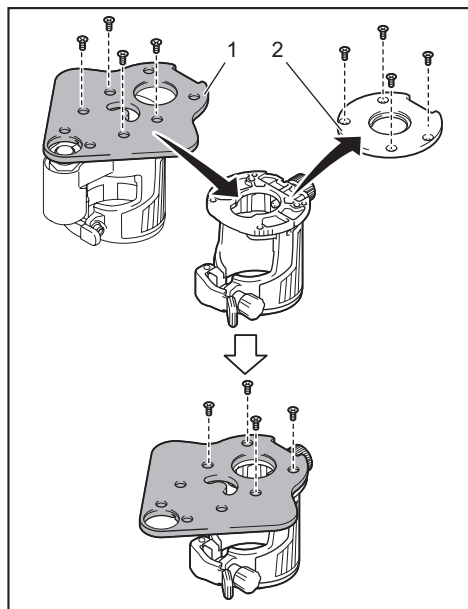
La base descentrada es conveniente para trabajar en un área reducida tal como una esquina.



## Uso de la base de la recortadora con la placa de base descentrada y la empuñadura

La placa de base descentrada también se puede utilizar con una base de la recortadora y un accesorio de la empuñadura (accesorio opcional) para lograr mayor estabilidad.

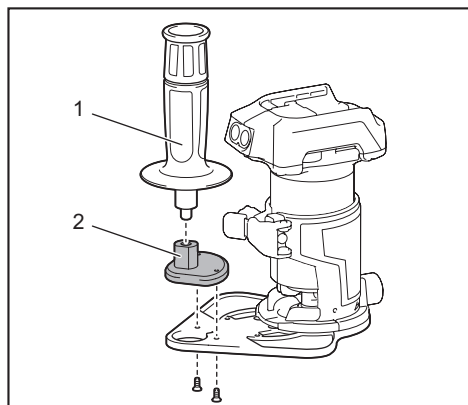
1. Afloje los tornillos en la placa de base y luego retire la placa de base de la base descentrada.



► 1. Placa de base descentrada 2. Placa de base de la recortadora

2. Fije la placa de base descentrada en la base de la recortadora apretando los tornillos.

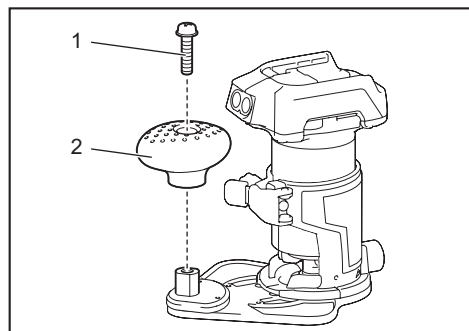
3. Coloque el accesorio de la empuñadura y la empuñadura tipo barra en la placa de base descentrada apretando los tornillos.



► 1. Empuñadura tipo barra 2. Accesorio de la empuñadura



La empuñadura tipo perilla extraída de la base de inmersión se puede instalar en la base descentrada en lugar de la empuñadura tipo barra.



► 1. Tornillo 2. Empuñadura tipo perilla

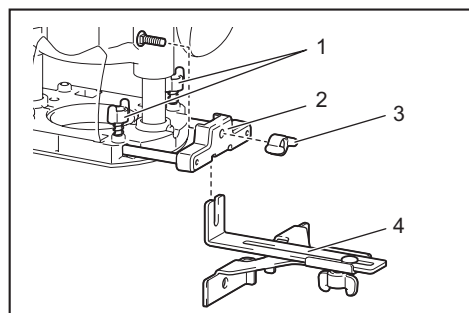
## Uso de la herramienta con la base de inmersión

Sostenga siempre firmemente las empuñaduras con ambas manos durante la operación. Opere la herramienta de la misma manera que la base de la recortadora.

## Uso de la guía recta

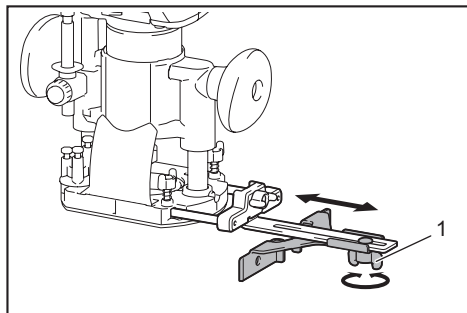
### Accesorio opcional

1. Instale la guía recta en el sujetador de la guía apretando la tuerca de mariposa. Inserte el sujetador de la guía en los orificios en la base de inmersión y luego apriete los pernos de mariposa.



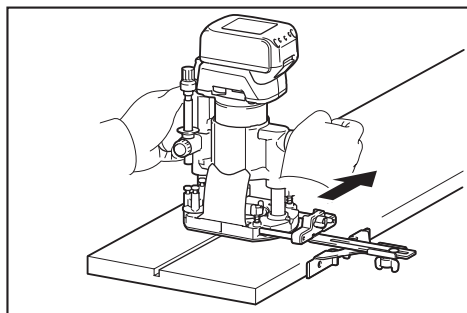
► 1. Perno de mariposa 2. Sujetador de la guía 3. Tuerca de mariposa 4. Guía recta

2. Afloje la tuerca de mariposa en la guía recta y ajuste la distancia entre la fresa y la guía recta. En la distancia deseada, apriete la tuerca de mariposa.



► 1. Tuerca de mariposa

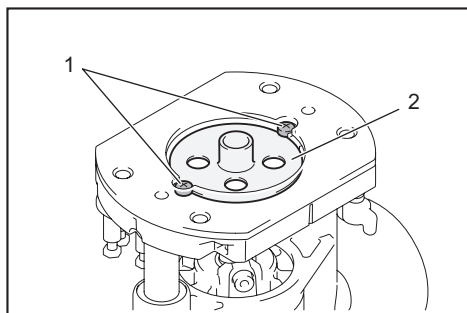
3. Opere la herramienta de la misma manera que la guía recta para la base de la recortadora.



## Uso de la guía de plantilla

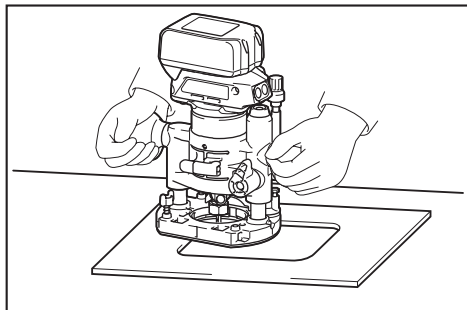
### Accesorio opcional

1. Afloje los tornillos en la base y retírelos. Coloque la guía de plantilla sobre la base y luego apriete los tornillos.



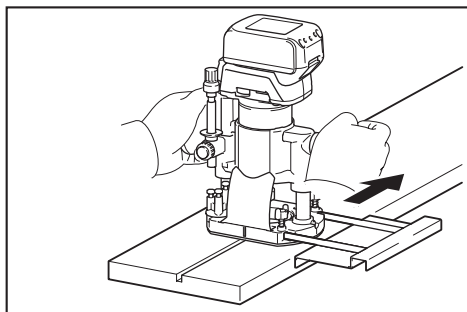
► 1. Tornillo 2. Guía de plantilla

2. Opere la herramienta de la misma manera que la guía de plantilla para la base de la recortadora.



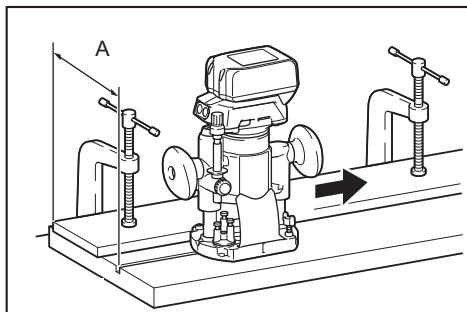
## Uso de la regla paralela

La regla paralela resulta eficaz para hacer cortes rectos durante el biselado o el ranurado. Ajuste la distancia entre la fresa y la regla paralela. En la distancia deseada, apriete los pernos de mariposa para fijar la regla paralela. Cuando corte, mueva la herramienta con la regla paralela nivelada con el costado de la pieza de trabajo.



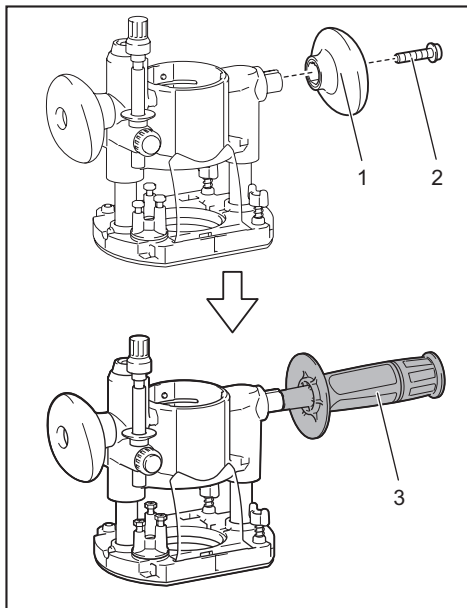
Si la distancia (A) entre el costado de la pieza de trabajo y la posición de corte es muy ancha para la regla paralela, o si el costado de la pieza de trabajo no es recto, no podrá utilizarse la regla paralela.

En este caso, sujete firmemente una tabla recta a la pieza de trabajo y utilícela como guía contra la base de inmersión. Avance la herramienta en la dirección de la flecha.



## Cambio de la empuñadura tipo perilla a la empuñadura tipo barra

Para instalar la empuñadura tipo barra en la base de inmersión, afloje el tornillo de la empuñadura tipo perilla, luego retire la empuñadura tipo perilla y después instale la empuñadura tipo barra apretándola.



- 1. Empuñadura tipo perilla 2. Tornillo  
3. Empuñadura tipo barra

## MANTENIMIENTO

**PRECAUCIÓN:** Asegúrese siempre de que la herramienta esté apagada y el cartucho de batería extraído antes de intentar realizar una inspección o mantenimiento.

**AVISO:** Nunca use gasolina, bencina, diluyente (tíner), alcohol o sustancias similares. Puede que esto ocasione grietas o descoloramiento.

Para mantener la SEGURIDAD y FIABILIDAD del producto, las reparaciones, y cualquier otra tarea de mantenimiento o ajuste deberán ser realizadas en centros de servicio autorizados o de fábrica Makita, empleando siempre repuestos Makita.

# ACCESORIOS OPCIONALES

**⚠️ PRECAUCIÓN:** Estos accesorios o aditamentos están recomendados para utilizarse con su herramienta Makita especificada en este manual.

El empleo de cualquier otro accesorio o aditamento puede conllevar el riesgo de lesiones personales.

Utilice los accesorios o aditamentos solamente para su fin establecido.

Si necesita cualquier ayuda para más detalles en relación con estos accesorios, pregunte a su centro de servicio local Makita.

- Fresas rectas y de formación de ranuras
- Fresas de formación de bordes
- Fresas de recorte de laminados
- Conjunto de la guía recta
- Conjunto de la guía de recorte
- Conjunto de la base de la recortadora
- Conjunto de la base de la recortadora (resina)
- Conjunto de la base de inclinación
- Conjunto de la base de inmersión
- Conjunto de la base descentrada
- Accesorio de la empuñadura
- Guía de plantilla
- Cono de sujeción de 1/4"
- Cono de sujeción de 3/8"
- Llave 13
- Llave 22
- Batería y cargador originales de Makita

**NOTA:** Algunos de los artículos en la lista pueden incluirse en el paquete de la herramienta como accesorios estándar. Éstos pueden variar de país a país.

## GARANTÍA LIMITADA DE UN AÑO DE MAKITA

### Ésta Garantía no aplica para México Política de garantía

Cada herramienta Makita es inspeccionada y probada exhaustivamente antes de salir de la fábrica. Se garantiza que está libre de defectos de mano de obra y materiales por el período de UN AÑO a partir de la fecha original de compra. Si durante este período de un año se desarrollara algún problema, devuelva la herramienta COMPLETA, con el envío prepagado, a un centro de servicio autorizado o de fábrica Makita. Si la inspección muestra que el problema ha sido a causa de un defecto de mano de obra o material, Makita hará la reparación (o a su discreción, el reemplazo) sin ningún cargo.

Esta garantía no aplica cuando:

- las reparaciones se hayan hecho o intentado hacer por otros;
- se requieran reparaciones debido al desgaste normal;
- la herramienta haya sido maltratada, recibido un mal uso o haya recibido un mantenimiento inapropiado;
- se hayan hecho modificaciones a la herramienta.

EN NINGÚN CASO MAKITA SE HARÁ RESPONSABLE DE NINGÚN DAÑO INDIRECTO, INCIDENTAL, O DERIVADO DE LA VENTA O USO DEL PRODUCTO. ESTE DESCARGO DE RESPONSABILIDAD APLICA DURANTE Y DESPUÉS DEL PLAZO DE ESTA GARANTÍA. MAKITA RENUNCIA A LA RESPONSABILIDAD POR CUALQUIER GARANTÍA IMPLÍCITA, INCLUYENDO GARANTÍAS DE "COMERCIABILIDAD" Y "ADECUACIÓN PARA UN PROPÓSITO ESPECÍFICO", DESPUÉS DEL PLAZO DE UN AÑO DE ESTA GARANTÍA.

Esta garantía le concede derechos específicos y usted podrá tener también otros derechos que varían de un estado a otro. Algunos estados no permiten la exclusión o limitación de daños incidentales o consecuentes, por lo que la limitación o exclusión arriba mencionada podría no aplicar para usted. Algunos estados no permiten la limitación sobre la duración de una garantía implícita, por lo que la limitación arriba mencionada podría no aplicar para usted.

< USA only >

# WARNING

Some dust created by power sanding, sawing, grinding, drilling, and other construction activities contains chemicals known to the State of California to cause cancer, birth defects or other reproductive harm. Some examples of these chemicals are:

- lead from lead-based paints,
- crystalline silica from bricks and cement and other masonry products, and
- arsenic and chromium from chemically-treated lumber.

Your risk from these exposures varies, depending on how often you do this type of work. To reduce your exposure to these chemicals: work in a well ventilated area, and work with approved safety equipment, such as those dust masks that are specially designed to filter out microscopic particles.

< Sólo en los Estados Unidos >

# ADVERTENCIA

Algunos polvos creados por el lijado, aserrado, esmerilado, taladrado y otras actividades de la construcción contienen sustancias químicas reconocidas por el Estado de California como causantes de cáncer, defectos de nacimiento y otros peligros de reproducción. Algunos ejemplos de estos productos químicos son:

- plomo de pinturas a base de plomo,
- sílice cristalino de ladrillos y cemento y otros productos de albañilería, y
- arsénico y cromo de maderas tratadas químicamente.

El riesgo al que se expone varía, dependiendo de la frecuencia con la que realice este tipo de trabajo. Para reducir la exposición a estos productos químicos: trabaje en un área bien ventilada y póngase el equipo de seguridad indicado, tal como las máscaras contra polvo que están especialmente diseñadas para filtrar partículas microscópicas.

**Makita Corporation**

3-11-8, Sumiyoshi-cho,  
Anjo, Aichi 446-8502 Japan

[www.makita.com](http://www.makita.com)

885585B928  
DRT50-1  
EN, FRCA, ESMX  
20180625