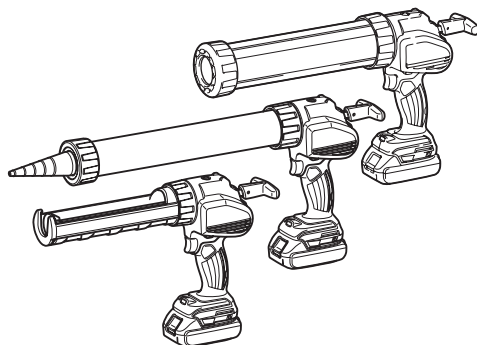


INSTRUCTION MANUAL  
MANUEL D'INSTRUCTION  
MANUAL DE INSTRUCCIONES



# Cordless Caulking Gun Pistolet à Mastic Sans Fil Pistola Inalámbrica para Aplicación de Sellador

## DCG180



**IMPORTANT:** Read Before Using.

**IMPORTANT :** Lire avant usage.

**IMPORTANTE:** Lea antes de usar.

# SPECIFICATIONS

Model		DCG180	
Max feed force		5,000 N (1,100 lbs)	
Feed speed		0 - 28 mm/s (0 - 66 inch/min)	
Stroke	with short (300 ml(18.3 cu.in)) holder	214 mm (8-3/4")	
	with long (600 ml(36.6 cu.in)) holder	350 mm (13-3/4")	
	with long (800 ml(48.8 cu.in)) holder	285 mm (11-1/4")	
Overall length	with short (300 ml(18.3 cu.in)) holder	404 mm (15-7/8")	
	with long (600 ml(36.6 cu.in)) holder	538 mm (21-1/4")	
	with big (800 ml(48.8 cu.in)) holder	480 mm (18-7/8")	
Standard battery cartridge		BL1815 / BL1815N / BL1820 / BL1820B	BL1830 / BL1830B / BL1840 / BL1840B / BL1850 / BL1850B / BL1860B
Net weight	with short (300 ml(18.3 cu.in)) holder	2.1 kg (4.7 lbs)	2.3 kg (5.1 lbs)
	with long (600 ml(36.6 cu.in)) holder	2.5 kg (5.5 lbs)	2.7 kg (6.0 lbs)
	with big (800 ml(48.8 cu.in)) holder	2.4 kg (5.4 lbs)	2.7 kg (5.9 lbs)
Rated voltage		D.C. 18 V	

- Due to our continuing program of research and development, the specifications herein are subject to change without notice.
- Specifications and battery cartridge may differ from country to country.
- Weight, with battery cartridge, according to EPTA-Procedure 01/2003

## General Power Tool Safety Warnings

**⚠WARNING** Read all safety warnings and all instructions. Failure to follow the warnings and instructions may result in electric shock, fire and/or serious injury.

### Save all warnings and instructions for future reference.

The term "power tool" in the warnings refers to your mains-operated (corded) power tool or battery-operated (cordless) power tool.

#### Work area safety

1. **Keep work area clean and well lit.** Cluttered or dark areas invite accidents.
2. **Do not operate power tools in explosive atmospheres, such as in the presence of flammable liquids, gases or dust.** Power tools create sparks which may ignite the dust or fumes.
3. **Keep children and bystanders away while operating a power tool.** Distractions can cause you to lose control.

#### Electrical safety

4. **Power tool plugs must match the outlet. Never modify the plug in any way. Do not use any adapter plugs with earthed (grounded) power tools.** Unmodified plugs and matching outlets will reduce risk of electric shock.
5. **Avoid body contact with earthed or grounded surfaces such as pipes, radiators, ranges and refrigerators.** There is an increased risk of electric shock if your body is earthed or grounded.

6. **Do not expose power tools to rain or wet conditions.** Water entering a power tool will increase the risk of electric shock.
7. **Do not abuse the cord. Never use the cord for carrying, pulling or unplugging the power tool. Keep cord away from heat, oil, sharp edges or moving parts.** Damaged or entangled cords increase the risk of electric shock.
8. **When operating a power tool outdoors, use an extension cord suitable for outdoor use.** Use of a cord suitable for outdoor use reduces the risk of electric shock.
9. **If operating a power tool in a damp location is unavoidable, use a ground fault circuit interrupter (GFCI) protected supply.** Use of an GFCI reduces the risk of electric shock.

#### Personal safety

10. **Stay alert, watch what you are doing and use common sense when operating a power tool. Do not use a power tool while you are tired or under the influence of drugs, alcohol or medication.** A moment of inattention while operating power tools may result in serious personal injury.
11. **Use personal protective equipment. Always wear eye protection.** Protective equipment such as dust mask, non-skid safety shoes, hard hat, or hearing protection used for appropriate conditions will reduce personal injuries.
12. **Prevent unintentional starting. Ensure the switch is in the off-position before connecting to power source and/or battery pack, picking up or carrying the tool.** Carrying power tools with your finger on the switch or energising power tools that have the switch on invites accidents.

13. **Remove any adjusting key or wrench before turning the power tool on.** A wrench or a key left attached to a rotating part of the power tool may result in personal injury.
14. **Do not overreach. Keep proper footing and balance at all times.** This enables better control of the power tool in unexpected situations.
15. **Dress properly. Do not wear loose clothing or jewellery. Keep your hair, clothing, and gloves away from moving parts.** Loose clothes, jewellery or long hair can be caught in moving parts.
16. **If devices are provided for the connection of dust extraction and collection facilities, ensure these are connected and properly used.** Use of dust collection can reduce dust-related hazards.

#### Power tool use and care

17. **Do not force the power tool. Use the correct power tool for your application.** The correct power tool will do the job better and safer at the rate for which it was designed.
18. **Do not use the power tool if the switch does not turn it on and off.** Any power tool that cannot be controlled with the switch is dangerous and must be repaired.
19. **Disconnect the plug from the power source and/or the battery pack from the power tool before making any adjustments, changing accessories, or storing power tools.** Such preventive safety measures reduce the risk of starting the power tool accidentally.
20. **Store idle power tools out of the reach of children and do not allow persons unfamiliar with the power tool or these instructions to operate the power tool.** Power tools are dangerous in the hands of untrained users.
21. **Maintain power tools. Check for misalignment or binding of moving parts, breakage of parts and any other condition that may affect the power tool's operation. If damaged, have the power tool repaired before use.** Many accidents are caused by poorly maintained power tools.
22. **Keep cutting tools sharp and clean.** Properly maintained cutting tools with sharp cutting edges are less likely to bind and are easier to control.
23. **Use the power tool, accessories and tool bits etc. in accordance with these instructions, taking into account the working conditions and the work to be performed.** Use of the power tool for operations different from those intended could result in a hazardous situation.

#### Battery tool use and care

24. **Recharge only with the charger specified by the manufacturer.** A charger that is suitable for one type of battery pack may create a risk of fire when used with another battery pack.
25. **Use power tools only with specifically designated battery packs.** Use of any other battery packs may create a risk of injury and fire.
26. **When battery pack is not in use, keep it away from other metal objects, like paper clips, coins, keys, nails, screws or other small metal objects, that can make a connection from one terminal to another.** Shorting the battery terminals together may cause burns or a fire.

27. **Under abusive conditions, liquid may be ejected from the battery; avoid contact. If contact accidentally occurs, flush with water. If liquid contacts eyes, additionally seek medical help.** Liquid ejected from the battery may cause irritation or burns.

#### Service

28. **Have your power tool serviced by a qualified repair person using only identical replacement parts.** This will ensure that the safety of the power tool is maintained.
29. **Follow instruction for lubricating and changing accessories.**
30. **Keep handles dry, clean and free from oil and grease.**

## CORDLESS CAULKING GUN SAFETY WARNINGS

1. Keep hands and clothes away from the rod and the plunger area. Otherwise your finger or clothes may be pinched.
2. Always be sure you have a firm footing.
3. Hold the tool firmly.
4. Always work in well ventilated area and wear proper protections in accordance with the operation.
5. Read and follow the manufacture's instructions on caulking material or adhesive material before usage.

## SAVE THESE INSTRUCTIONS.

**⚠WARNING: DO NOT let comfort or familiarity with product (gained from repeated use) replace strict adherence to safety rules for the subject product. MISUSE or failure to follow the safety rules stated in this instruction manual may cause serious personal injury.**

## Symbols

The followings show the symbols used for tool.

v	volts
— ---	direct current

## Important safety instructions for battery cartridge

1. **Before using battery cartridge, read all instructions and cautionary markings on (1) battery charger, (2) battery, and (3) product using battery.**
2. **Do not disassemble battery cartridge.**
3. **If operating time has become excessively shorter, stop operating immediately. It may result in a risk of overheating, possible burns and even an explosion.**
4. **If electrolyte gets into your eyes, rinse them out with clear water and seek medical attention right away. It may result in loss of your eyesight.**

5. **Do not short the battery cartridge:**
  - (1) **Do not touch the terminals with any conductive material.**
  - (2) **Avoid storing battery cartridge in a container with other metal objects such as nails, coins, etc.**
  - (3) **Do not expose battery cartridge to water or rain.**

**A battery short can cause a large current flow, overheating, possible burns and even a breakdown.**

6. **Do not store the tool and battery cartridge in locations where the temperature may reach or exceed 50 °C (122 °F).**
7. **Do not incinerate the battery cartridge even if it is severely damaged or is completely worn out. The battery cartridge can explode in a fire.**
8. **Be careful not to drop or strike battery.**
9. **Do not use a damaged battery.**
10. **The contained lithium-ion batteries are subject to the Dangerous Goods Legislation requirements.**

For commercial transports e.g. by third parties, forwarding agents, special requirement on packaging and labeling must be observed.

For preparation of the item being shipped, consulting an expert for hazardous material is required. Please also observe possibly more detailed national regulations.

Tape or mask off open contacts and pack up the battery in such a manner that it cannot move around in the packaging.

11. **Follow your local regulations relating to disposal of battery.**
12. **Use the batteries only with the products specified by Makita.** Installing the batteries to non-compliant products may result in a fire, excessive heat, explosion, or leak of electrolyte.

## SAVE THESE INSTRUCTIONS.

**⚠CAUTION:** Only use genuine Makita batteries. Use of non-genuine Makita batteries, or batteries that have been altered, may result in the battery bursting causing fires, personal injury and damage. It will also void the Makita warranty for the Makita tool and charger.

## Tips for maintaining maximum battery life

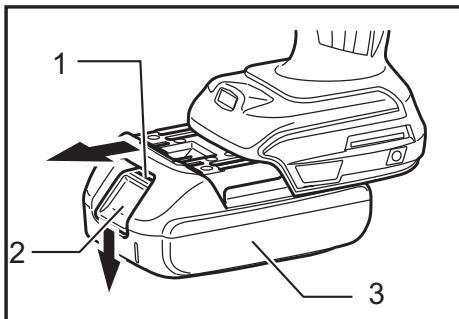
1. **Charge the battery cartridge before completely discharged. Always stop tool operation and charge the battery cartridge when you notice less tool power.**
2. **Never recharge a fully charged battery cartridge. Overcharging shortens the battery service life.**
3. **Charge the battery cartridge with room temperature at 10 °C - 40 °C (50 °F - 104 °F). Let a hot battery cartridge cool down before charging it.**
4. **Charge the battery cartridge if you do not use it for a long period (more than six months).**

## FUNCTIONAL DESCRIPTION

### ⚠CAUTION:

- Always be sure that the tool is switched off and the battery cartridge is removed before adjusting or checking function on the tool.

## Installing or removing battery cartridge



► 1. Red indicator 2. Button 3. Battery cartridge

### ⚠CAUTION:

- Always switch off the tool before installing or removing of the battery cartridge.
- Hold the tool and the battery cartridge firmly when installing or removing battery cartridge. Failure to hold the tool and the battery cartridge firmly may cause them to slip off your hands and result in damage to the tool and battery cartridge and a personal injury.

To remove the battery cartridge, slide it from the tool while sliding the button on the front of the cartridge. To install the battery cartridge, align the tongue on the battery cartridge with the groove in the housing and slip it into place. Insert it all the way until it locks in place with a little click. If you can see the red indicator on the upper side of the button, it is not locked completely.

### ⚠CAUTION:

- Always install the battery cartridge fully until the red indicator cannot be seen. If not, it may accidentally fall out of the tool, causing injury to you or someone around you.
- Do not install the battery cartridge forcibly. If the cartridge does not slide in easily, it is not being inserted correctly.

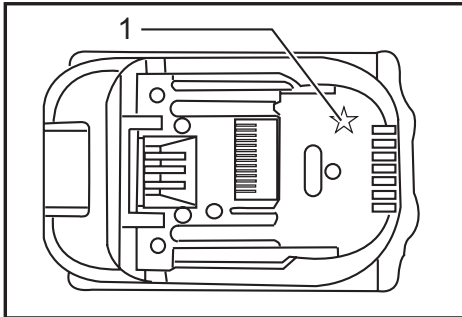
## Battery protection system

The tool is equipped with a battery protection system. This system automatically cuts off power to the motor to extend battery life.

The tool will automatically stop during operation if the tool and/or battery are placed under one of the following conditions:

- **Overloaded:**  
The tool is operated in a manner that causes it to draw an abnormally high current. In this situation, release the switch trigger on the tool and stop the application that caused the tool to become overloaded. Then pull the switch trigger again to restart. If the tool does not start, the battery is overheated. In this situation, let the battery cool before pulling the switch trigger again.
- **Low battery voltage:**  
The remaining battery capacity is too low and the tool will not operate. In this situation, remove and recharge the battery.

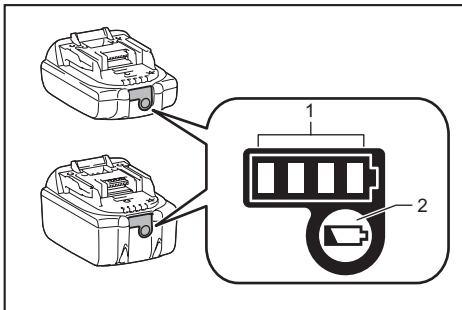
**NOTE:** The overheat protection works only with a battery cartridge with a star mark.



► 1. Star marking

## Indicating the remaining battery capacity

*Only for battery cartridges with the indicator*



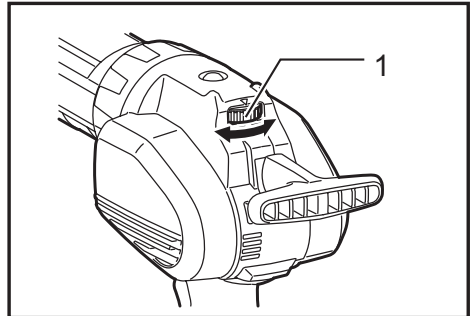
► 1. Indicator lamps 2. Check button

Press the check button on the battery cartridge to indicate the remaining battery capacity. The indicator lamps light up for a few seconds.

Indicator lamps			Remaining capacity
Lighted	Off	Blinking	
■ ■ ■ ■			75% to 100%
■ ■ ■ □			50% to 75%
■ ■ □ □			25% to 50%
■ □ □ □			0% to 25%
▣ □ □ □			Charge the battery.
■ ■ □ □			The battery may have malfunctioned.
□ □ ■ ■	↑ ↓		

**NOTE:** Depending on the conditions of use and the ambient temperature, the indication may differ slightly from the actual capacity.

## Speed adjusting dial



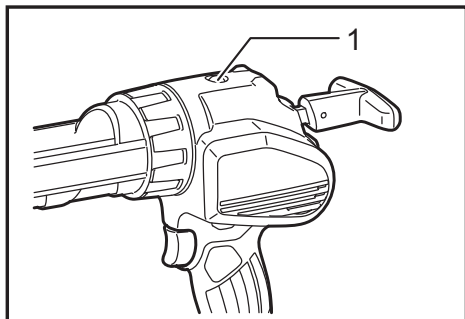
► 1. Speed adjusting dial

The tool speed can be adjusted by turning the dial. Higher speed is obtained when the dial is turned in the direction of number 5, lower speed is obtained when it is turned in the direction of number 1.

### NOTE:

- The speed adjusting dial can be turned only as far as 5 and back to 1. Do not force it past 5 or 1, or the speed adjusting function may no longer work.
- Depending on the type and conditions of caulking material, it may not be fed at low speed. In this case, set the speed adjusting dial higher.

## Overload warning lamp



► 1. Warning lamp

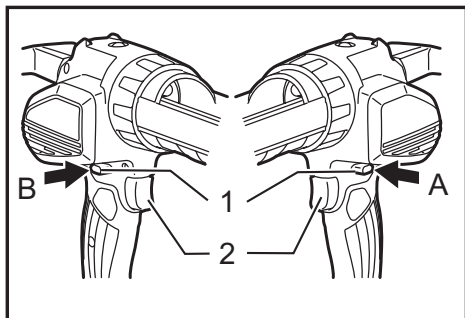
The warning lamp flickers in red when the tool is overloaded. If the load reaches some point, the lamp keeps lighting in red and the tool stops. To restart the tool, release the trigger and pull the trigger again.

**NOTE:** Check what causes the overload when the lamp flickers or lights up. Change the parameter of the speed adjusting dial lower, or increase the diameter of the nozzle.

## Switch action

### ▲ CAUTION:

- Before inserting the battery cartridge into the tool, always check to see that the switch trigger actuates properly and returns to the "OFF" position when released.
- When not operating the tool, push the trigger-lock button from A side to lock the switch trigger in the OFF position.



► 1. Lock lever 2. Switch trigger

To prevent the switch trigger from accidentally pulled, the trigger-lock button is provided.

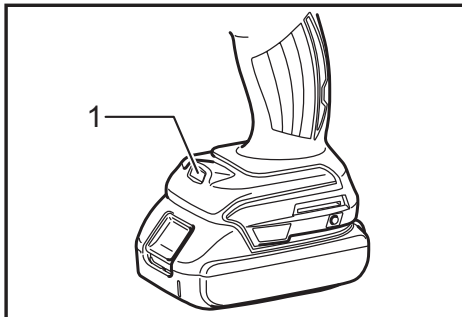
To start the tool, push the trigger-lock button from B side and pull the switch trigger. Tool speed is increased by increasing pressure on the switch trigger. Release the switch trigger to stop.

After use, press in the trigger-lock button from A side.

## Lighting up the lamp

### ▲ CAUTION:

- Do not look in the light or see the source of light directly.



► 1. Lamp

Pull the switch trigger to light up the lamp. The lamp keeps on lighting while the switch trigger is being pulled. The lamp goes out approximately 10 seconds after the switch trigger is released.

### NOTE:

- Use a dry cloth to wipe the dirt off the lens of lamp. Be careful not to scratch the lens of lamp, or it may lower the illumination.
- When the tool is overheated, the lamp flickers. Cool down the tool fully before operating again.

## Drip preventive function

The motor keeps running for a short time even after the trigger is released. It releases the pressure of the caulking material and prevents dripping.

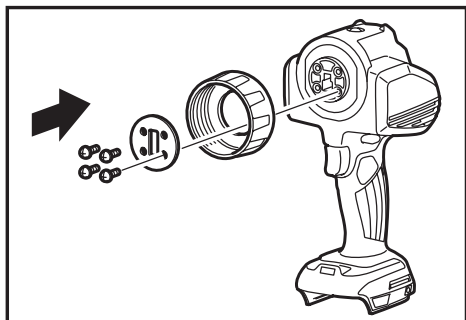
## ASSEMBLY

### ▲ CAUTION:

- Always be sure that the tool is switched off and the battery cartridge is removed before carrying out any work on the tool.
- Always place the tool on the ground or workbench when carrying out any assembling work. The tool without being held tight may loose balance and cause injury.

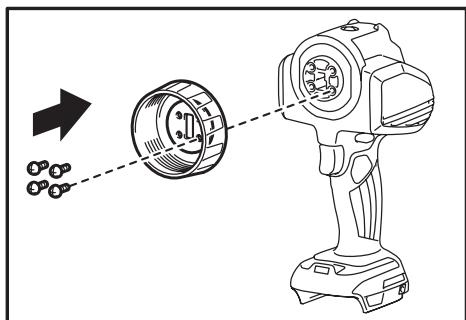
## Installing holder joint

For short holder (300ml(18.3cu.in)) and long holder (600ml(36.6cu.in))



Attach the holder joint firmly along the tool, set the plate, and fix them with screws tightly.

For big holder (800ml(48.8cu.in))



Attach the holder joint firmly along the tool, and fix them with screws tightly.

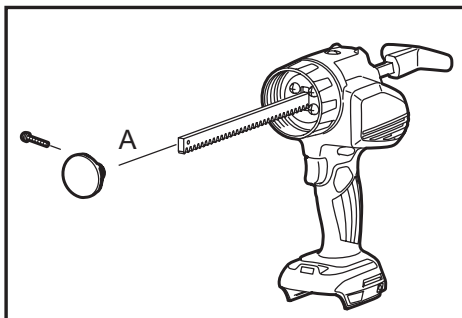
To remove the holder joint, follow above procedure in reverse.

### NOTE:

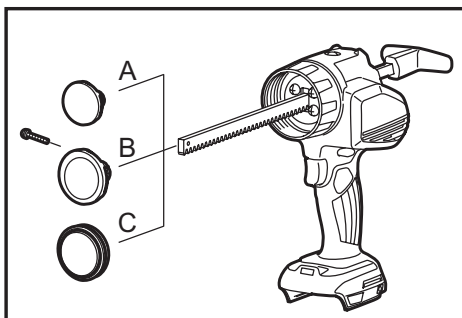
- There are three types of holders (optional accessory), short holder (300ml(18.3cu.in)), long holder (600ml(36.6cu.in)), and big holder (800ml(48.8cu.in)). Use appropriate holder joint accordingly.

## Installing rod and piston

For short holder (300ml(18.3cu.in))

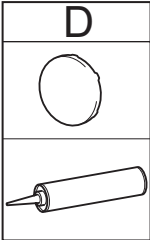
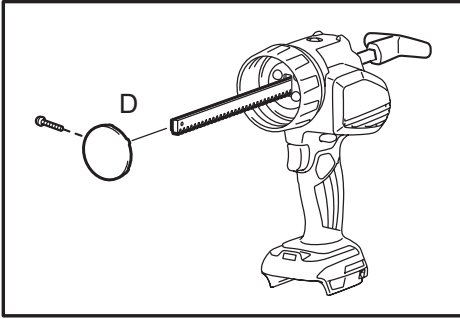


For long holder (600ml(36.6cu.in))



A	B	C

## For big holder (800ml(48.8cu.in))

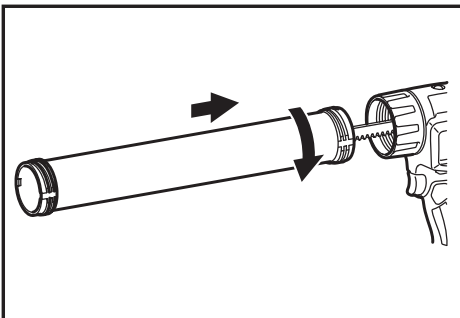


Insert the rod into the slit of the tool.  
Attach the piston and tighten it with a screw.  
To remove the rod and piston, follow the installation procedure in reverse.

### NOTICE:

- The teeth on the rod must point down.
- There are four types of pistons. Piston A and D for cartridges. Piston B for film type packs. Piston C for direct filling.
- Choose appropriate piston in accordance with the type of caulking material container. Improper piston may cause leakage or tool breakage.
- There are three types of rods. The rod for the short holder (300ml(18.3cu.in)), rod for long holder (600ml(36.6cu.in)), and rod for big holder (800ml(48.8cu.in)). **Use appropriate rod in accordance with holder type.**
- Always keep the rod and piston clean. Adhering caulk may damage the tool.

## Installing holder



Hold the bottom of the holder and the holder joint, then turn the holder clockwise. Tighten it firmly until it stops. Make sure the holder is tightened firmly. Otherwise the tool may be damaged.

To remove the holder, turn it counter clockwise.

### NOTE:

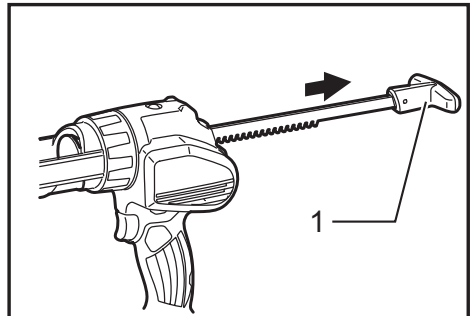
- You can rotate the holder in accordance with required situations to facilitate the operation.
- The short holder (300ml(18.3cu.in)) and big holder (800ml(48.8cu.in)) are intended for the cartridges only. Use only piston A with short holder (300ml(18.3cu.in)). Use only piston D with big holder (800ml(48.8cu.in)) Do not use them with film type packs or direct filling. Also use appropriate rod in accordance with the holder type.

## Installing cartridge

### NOTICE:

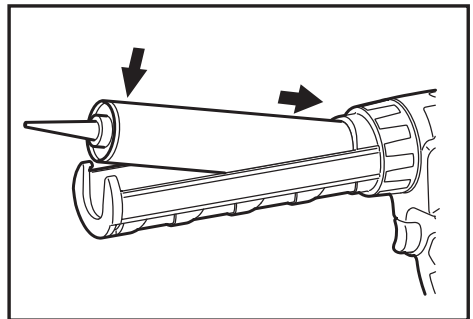
- Make sure the piston A is attached to the rod. Do not use other type of piston for cartridge.

## Installing the cartridge into the short holder (300ml(18.3cu.in))



► 1. Rod handle

Pull the rod handle backwards slowly until it stops.

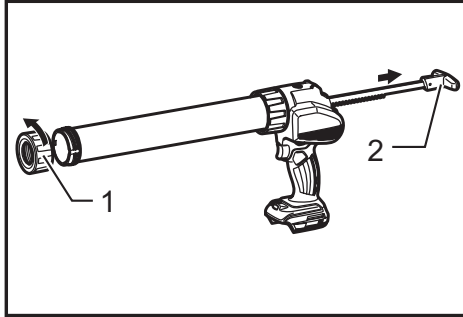


Insert the cartridge into the holder as illustrated. Push the rod gently until the piston touches the bottom of the cartridge.

To remove the cartridge, pull the rod backwards until it stops, then lift out the cartridge.

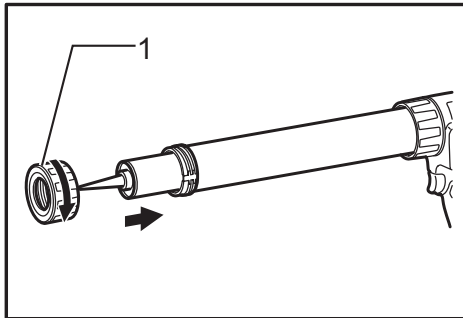


## Installing the cartridge into the long holder (600ml(36.6cu.in) or big holder (800ml(48.8cu.in))



► 1. Holder cap 2. Rod handle

Remove the holder cap from the holder.  
Pull the rod handle backwards slowly until it stops.



► 1. Holder cap

Insert the cartridge into the holder.  
Attach the holder cap. Make sure it is tightened firmly.  
Push the rod gently until the piston touches the bottom of the cartridge.

To remove the cartridge, remove the holder cap, then take out the cartridge.

### NOTICE:

- Always check the cartridge for puncture or damage before installing. Do not use damaged cartridge, otherwise the tool may be damaged.
- When using a partially used cartridge, remove any adhered material on the cartridge.

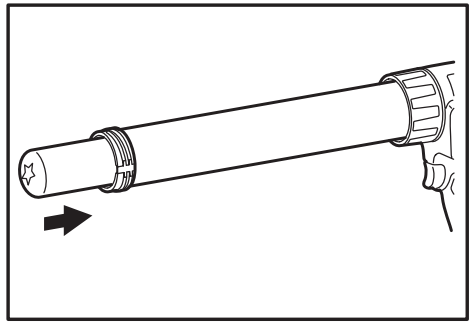
## Installing film type pack

### NOTICE:

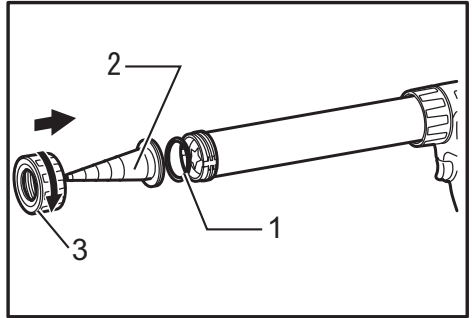
- Make sure the piston B is attached to the rod. Do not use other type of piston for film type pack.
- Film type pack can be installed in the long holder (600ml(36.6cu.in)) only.

Remove the holder cap, the nozzle and the rubber ring from the holder.

Pull the rod handle backwards slowly until it stops.



Cut off the tip of the film type pack.  
Insert the film type pack into the holder.



► 1. Rubber ring 2. Nozzle 3. Holder cap

Attach the rubber ring, the nozzle and the holder cap.  
Make sure holder cap is tightened firmly.  
Push the rod gently until the piston touches the bottom of the film type pack.

### NOTE:

- Always check the film type pack for puncture or damage before installing. Do not use damaged pack, otherwise the tool may be damaged.

## Direct filling

### NOTICE:

- Make sure the piston C is attached to the rod. Do not use other type of piston for direct filling.
- Direct filling can only be performed with the long holder (600ml(36.6cu.in)).

Remove the holder cap, the nozzle and the rubber ring from the holder.

Make sure the rod handle is placed at the most front position.

Dip the mouth of the holder into the caulking material.  
Pull the rod handle slowly until required amount of caulking material is filled in the holder.

Attach the rubber ring, the nozzle and the holder cap.  
Make sure holder cap is tightened firmly.

### NOTICE:

- Clean the holder with appropriate solvent after every day's work. Otherwise adhered caulking material may cause tool breakage.

# OPERATION

## ⚠ CAUTION:

- Do not touch the rod during operation. Otherwise your finger may be pinched between the rod and the housing of the tool.
- Always wear goggles during operation.

## NOTICE:

- Do not cover vents, or it may cause overheating and damage to the tool.
- If you can not pull out the rod, turn the speed adjusting dial to 1, and pull the switch trigger for a moment, and try to pull the rod out after the motor stopped. If the rod is still clogged, perform the same action until the rod is able to move.

Cut off the tip of the nozzle suitable for individual operation. Be careful how much you cut the nozzle. The diameter of the nozzle affects the amount of caulking material dispensed.

Pull the trigger to dispense caulking material.

The amount of the caulking material dispensed is determined by the trigger, the speed adjusting dial, the diameter of the nozzle opening, caulking material type, and temperature.

It is recommended that the speed adjusting dial is set to '1' and pull the trigger slowly at the first time to test how much amount of caulking material is dispensed.

When the rod reaches front end, the motor starts idling. Replace the caulking material when it happens.

**NOTE:** If the caulking material is not dispensed, check the following items:

- Nozzle tip is not cut adequately. Cut the nozzle tip suitable for individual operation.
- Hardened material gets clogged in the nozzle. Remove the hardened material.
- The cartridge is damaged. Replace the cartridge.
- Caulking material is stiff. Warm the material until it becomes soft.
- The wrong piston is used. Use appropriate piston.

# MAINTENANCE

## ⚠ CAUTION:

- Always be sure that the tool is switched off and the battery cartridge is removed before attempting to perform inspection or maintenance except for the following troubleshooting related to the light.
- Never use gasoline, benzine, thinner, alcohol or the like. Discoloration, deformation or cracks may result.
- Clean the holder and the rod after every day's work. Keep them free from the adhesive material. Remove the caulking material before it hardens. Remained adhesive material may cause breakage of the tool.

To maintain product SAFETY and RELIABILITY, repairs, carbon brush inspection and replacement, any other maintenance or adjustment should be performed by Makita Authorized or Factory Service Centers, always using Makita replacement parts.

# OPTIONAL ACCESSORIES

## ⚠ CAUTION:

- These accessories or attachments are recommended for use with your Makita tool specified in this manual. The use of any other accessories or attachments might present a risk of injury to persons. Only use accessory or attachment for its stated purpose.

If you need any assistance for more details regarding these accessories, ask your local Makita Service Center.

- Piston A
- Piston B
- Piston C
- Piston D
- Short holder (300ml(18.3cu.in)) set
- Long holder (600ml(36.6cu.in)) set
- Plate (If you have the big holder (800ml(48.8cu.in)) only, and purchase the short holder (300ml(18.3cu.in)) set or the long holder (600ml(36.6cu.in)) set, the plate is also required.)
- Big holder (800ml(48.8cu.in)) set
- Nozzle
- Safety goggles
- Makita genuine battery and charger

## NOTE:

- Some items in the list may be included in the tool package as standard accessories. They may differ from country to country.

# MAKITA LIMITED WARRANTY

Please refer to the annexed warranty sheet for the most current warranty terms applicable to this product. If annexed warranty sheet is not available, refer to the warranty details set forth at below website for your respective country.

United States of America: [www.makitatools.com](http://www.makitatools.com)

Canada: [www.makita.ca](http://www.makita.ca)

Other countries: [www.makita.com](http://www.makita.com)

# SPÉCIFICATIONS

Modèle		DCG180	
Force d'avance max.		5 000 N (1 100 lbs)	
Vitesse d'avance		0 - 28 mm/s (0 - 66 po/min)	
Course	avec support court (300 ml (18,3 po3))	214 mm (8-3/4")	
	avec support long (600 ml (36,6 po3))	350 mm (13-3/4")	
	avec support long (800 ml (48,8 po3))	285 mm (11-1/4")	
Longueur totale	avec support court (300 ml (18,3 po3))	404 mm (15-7/8")	
	avec support long (600 ml (36,6 po3))	538 mm (21-1/4")	
	avec gros (800 ml (48,8 po3)) support	480 mm (18-7/8")	
Batterie standard		BL1815 / BL1815N / BL1820 / BL1820B	BL1830 / BL1830B / BL1840 / BL1840B / BL1850 / BL1850B / BL1860B
Poids net	avec support court (300 ml (18,3 po3))	2,1 kg (4,7 lbs)	2,3 kg (5,1 lbs)
	avec support long (600 ml (36,6 po3))	2,5 kg (5,5 lbs)	2,7 kg (6,0 lbs)
	avec gros (800 ml (48,8 po3)) support	2,4 kg (5,4 lbs)	2,7 kg (5,9 lbs)
Tension nominale		C.C. 18 V	

- Étant donné l'évolution constante de notre programme de recherche et de développement, les spécifications contenues dans ce manuel sont sujettes à modification sans préavis.
- Les caractéristiques techniques et la batterie peuvent varier suivant les pays.
- Poids, batterie comprise, conforme à la procédure EPTA de 01/2003

## Consignes de sécurité générales pour outils électriques

**⚠ MISE EN GARDE** Veuillez lire toutes les mises en garde de sécurité et toutes les instructions. L'ignorance des mises en garde et des instructions comporte un risque de choc électrique, d'incendie et/ou de blessure grave.

## Conservez toutes les mises en garde et instructions pour référence future.

Le terme « outil électrique » qui figure dans les avertissements fait référence à un outil électrique branché sur une prise de courant (par un cordon d'alimentation) ou alimenté par batterie (sans fil).

### Sécurité de la zone de travail

1. **Maintenez la zone de travail propre et bien éclairée.** Les zones de travail encombrées ou sombres ouvrent grande la porte aux accidents.
2. **N'utilisez pas les outils électriques dans les atmosphères explosives, par exemple en présence de liquides, gaz ou poussières inflammables.** Les outils électriques produisent des étincelles au contact desquelles la poussière ou les vapeurs peuvent s'enflammer.
3. **Assurez-vous qu'aucun enfant ou curieux ne s'approche pendant que vous utilisez un outil électrique.** Vous risquez de perdre la maîtrise de l'outil si votre attention est détournée.

### Sécurité en matière d'électricité

4. **Les fiches d'outil électrique sont conçues pour s'adapter parfaitement aux prises de courant. Ne modifiez jamais la fiche de quelque façon que ce soit. N'utilisez aucun adaptateur de fiche sur les outils électriques avec mise à la terre.** En ne modifiant pas les fiches et en les insérant dans des prises de courant pour lesquelles elles ont été conçues vous réduirez les risques de choc électrique.
5. **Évitez tout contact corporel avec les surfaces mises à la terre, telles que les tuyaux, radiateurs, cuisinières et réfrigérateurs.** Le risque de choc électrique est plus élevé si votre corps se trouve mis à la terre.
6. **N'exposez pas les outils électriques à la pluie ou à l'eau.** La présence d'eau dans un outil électrique augmente le risque de choc électrique.
7. **Ne maltraitez pas le cordon. N'utilisez jamais le cordon pour transporter, tirer ou débrancher l'outil électrique. Maintenez le cordon à l'écart des sources de chaleur, de l'huile, des objets à bords tranchants et des pièces en mouvement.** Le risque de choc électrique est plus élevé lorsque les cordons sont endommagés ou enchevêtrés.
8. **Lorsque vous utilisez un outil électrique à l'extérieur, utilisez un cordon prolongateur prévu à cette fin.** Les risques de choc électrique sont moindres lorsqu'un cordon conçu pour l'extérieur est utilisé.
9. **Si vous devez utiliser un outil électrique dans un endroit humide, utilisez une source d'alimentation protégée par un disjoncteur de fuite à la terre.** L'utilisation d'un disjoncteur de fuite à la terre réduit le risque de choc électrique.

## Sécurité personnelle

10. **Restez alerte, attentif à vos mouvements et faites preuve de bon sens lorsque vous utilisez un outil électrique.** Évitez d'utiliser un outil électrique si vous êtes fatigué ou si vous avez pris une drogue, de l'alcool ou un médicament. Un moment d'inattention pendant l'utilisation d'un outil électrique peut entraîner une grave blessure.
11. **Portez des dispositifs de protection personnelle. Portez toujours un protecteur pour la vue.** Les risques de blessure seront moins élevés si vous utilisez des dispositifs de protection tels qu'un masque antipoussières, des chaussures à semelle antidérapante, une coiffure résistante ou une protection d'oreilles.
12. **Évitez les démarrages accidentels. Assurez-vous que l'interrupteur soit en position d'arrêt avant de brancher l'outil à la prise électrique et/ou au bloc-piles, avant de prendre ou de transporter l'outil.** Vous ouvrez la porte aux accidents si vous transportez les outils électriques avec le doigt sur l'interrupteur ou si vous les branchez alors que l'interrupteur est en position de marche.
13. **Retirez toute clé de réglage ou de serrage avant de mettre l'outil sous tension.** Toute clé laissée en place sur une pièce rotative de l'outil électrique peut entraîner une blessure.
14. **Maintenez une bonne position. Assurez-vous d'une bonne prise au sol et d'une bonne position d'équilibre en tout temps.** Cela vous permettra d'avoir une meilleure maîtrise de l'outil dans les situations imprévues.
15. **Portez des vêtements adéquats. Ne portez ni vêtements amples ni bijoux. Vous devez maintenir cheveux, vêtements et gants à l'écart des pièces en mouvement.** Les pièces en mouvement peuvent happer les vêtements amples, les bijoux et les cheveux longs.
16. **Si des accessoires sont fournis pour raccorder un appareil d'aspiration et de collecte de la poussière, assurez-vous qu'ils sont correctement raccordés et qu'ils sont utilisés de manière adéquate.** L'utilisation d'un appareil d'aspiration permet de réduire les risques liés à la présence de poussière dans l'air.

## Utilisation et entretien des outils électriques

17. **Ne forcez pas l'outil électrique. Utilisez l'outil électrique adéquat suivant le type de travail à effectuer.** Si vous utilisez l'outil électrique adéquat et respectez le régime pour lequel il a été conçu, il effectuera un travail de meilleure qualité et de façon plus sécuritaire.
18. **N'utilisez pas l'outil électrique s'il n'est pas possible de mettre sa gâchette en position de marche et d'arrêt.** Un outil électrique dont l'interrupteur est défectueux représente un danger et doit être réparé.
19. **Débranchez la fiche de la source d'alimentation et/ou retirez le bloc-piles de l'outil électrique avant d'effectuer tout réglage, de changer un accessoire ou de ranger l'outil électrique.** De telles mesures préventives réduisent les risques de démarrage accidentel de l'outil électrique.

20. **Après l'utilisation d'un outil électrique, rangez-le hors de portée des enfants et ne laissez aucune personne l'utiliser si elle n'est pas familiarisée avec l'outil électrique ou les présentes instructions d'utilisation.** Les outils électriques représentent un danger entre les mains de personnes qui n'en connaissent pas le mode d'utilisation.
21. **Veillez à l'entretien des outils électriques. Assurez-vous que les pièces mobiles ne sont pas désalignées ou coincées, qu'aucune pièce n'est cassée et que l'outil électrique n'a subi aucun dommage affectant son bon fonctionnement. Le cas échéant, faites réparer l'outil électrique avant de l'utiliser.** De nombreux accidents sont causés par des outils électriques mal entretenus.
22. **Maintenez les outils tranchants bien aiguisés et propres.** Un outil tranchant dont l'entretien est effectué correctement et dont les bords sont bien aiguisés risquera moins de se coincer et sera plus facile à maîtriser.
23. **Utilisez l'outil électrique, ses accessoires, ses embouts, etc., en respectant les présentes instructions, en tenant compte des conditions de travail et du type de travail à effectuer.** L'utilisation d'un outil électrique à des fins autres que celles prévues peut entraîner une situation dangereuse.

## Utilisation et entretien des outils alimentés par batterie

24. **Pour recharger, utilisez uniquement le chargeur spécifié par le fabricant.** L'utilisation d'un chargeur conçu pour un type donné de bloc-piles comporte un risque d'incendie lorsqu'il est utilisé avec un autre type de bloc-piles.
25. **N'utilisez un outil électrique qu'avec le bloc-piles conçu spécifiquement pour cet outil.** Il y a un risque de blessure ou d'incendie si un autre bloc-piles est utilisé.
26. **Lorsque vous n'utilisez pas le bloc-piles, rangez-le à l'écart des objets métalliques tels que trombones, pièces de monnaie, clés, clous, vis ou autres petits objets métalliques qui risquent d'établir une connexion entre les bornes.** La mise en court-circuit des bornes de batterie peut causer des brûlures ou un incendie.
27. **Dans des conditions d'utilisation inadéquates de la batterie, il peut y avoir fuite d'électrolyte; évitez tout contact avec ce liquide. En cas de contact accidentel, rincez avec beaucoup d'eau. Si le liquide pénètre dans vos yeux, il faut aussi consulter un médecin.** L'électrolyte qui s'échappe de la batterie peut causer des irritations ou des brûlures.

## Réparation

28. **Faites réparer votre outil électrique par un réparateur qualifié qui utilise des pièces de rechange identiques aux pièces d'origine.** Le maintien de la sûreté de l'outil électrique sera ainsi assuré.
29. **Suivez les instructions de lubrification et de changement des accessoires.**
30. **Maintenez les poignées de l'outil sèches, propres et exemptes d'huile ou de graisse.**

## CONSIGNES DE SÉCURITÉ POUR LE PISTOLET À MASTIC SANS FIL



1. Tenez éloignés vos mains et vos vêtements de la zone de la tige et du piston. Vous pourriez vous pincer.
2. Veillez à garder toujours une position stable.
3. Tenez fermement l'outil.
4. Travaillez toujours dans une zone bien ventilée et portez des protections appropriées à l'opération.
5. Lisez et suivez les instructions du fabricant concernant le mastic ou le produit adhésif avant toute utilisation.

## CONSERVEZ CE MODE D'EMPLOI.

**⚠ MISE EN GARDE : NE VOUS LAISSEZ PAS tromper (au fil d'une utilisation répétée) par un sentiment d'aisance ou de familiarité avec le produit en négligeant les consignes de sécurité qui accompagnent le produit. L'utilisation non sécuritaire ou incorrecte de cet outil comporte un risque de blessure grave.**

## Symboles

Les symboles utilisés pour l'outil sont indiqués ci-dessous.

	volts
	courant continu

## Consignes de sécurité importantes pour la batterie

1. Avant d'utiliser la batterie, lisez toutes les instructions et les mises en garde apposées sur (1) le chargeur de batterie, (2) la batterie et (3) le produit utilisant la batterie.
2. Ne démontez pas la batterie.
3. Cessez immédiatement l'utilisation si le temps de fonctionnement devient excessivement court. Il y a risque de surchauffe, de brûlures, voire d'explosion.
4. Si l'électrolyte pénètre dans vos yeux, rincez-les à l'eau claire et consultez immédiatement un médecin. Il y a risque de perte de la vue.
5. Ne court-circuitez pas la batterie :
  - (1) Ne touchez les bornes avec aucun matériau conducteur.
  - (2) Évitez de ranger la batterie dans un conteneur avec d'autres objets métalliques tels que clous, pièces de monnaie, etc.
  - (3) Évitez d'exposer la batterie à l'eau ou à la pluie.

Un court-circuit de la batterie pourrait provoquer un fort courant, une surchauffe, parfois des brûlures et même une panne.

6. Ne rangez pas l'outil ou la batterie dans des emplacements où la température peut atteindre ou dépasser 50 °C (122 °F).
7. Ne jetez pas la batterie au feu même si elle est sérieusement endommagée ou complètement épuisée. La batterie peut exploser au contact du feu.
8. Prenez garde d'échapper ou de heurter la batterie.
9. N'utilisez pas une batterie si elle est endommagée.
10. Les batteries lithium-ion fournies sont soumises aux exigences de la législation sur les marchandises dangereuses.

Des exigences particulières sur l'emballage et l'étiquetage doivent être respectées lors du transport commercial par des tiers, des transitaires, etc. Pour préparer la marchandise à expédier, consultez un expert en matériaux dangereux si nécessaire. Respectez aussi les éventuelles réglementations nationales plus détaillées.

Recouvrez de ruban isolant les contacts exposés, et emballez la batterie de sorte qu'elle ne puisse pas se déplacer à l'intérieur de l'emballage.
11. Suivez la réglementation locale concernant l'élimination de la batterie.
12. N'utilisez les batteries qu'avec les produits spécifiés par Makita. Installer les batteries sur des produits non conformes peut entraîner un incendie, une chaleur excessive, une explosion ou une fuite d'électrolyte.

## CONSERVEZ CES INSTRUCTIONS.

**⚠ ATTENTION : Utilisez exclusivement les batteries fabriquées par Makita. Les batteries autres que celles fabriquées par Makita ou les batteries modifiées peuvent exploser et causer un incendie, une blessure ou des dommages. Cela annule aussi la garantie Makita de l'outil et du chargeur Makita.**

## Conseils pour maintenir la durée de service maximale de la batterie

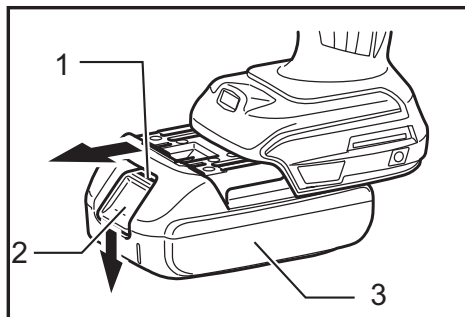
1. Rechargez la batterie avant qu'elle ne soit complètement déchargée. Arrêtez toujours l'outil et rechargez la batterie quand vous remarquez que la puissance de l'outil diminue.
2. Ne rechargez jamais une batterie complètement chargée. La surcharge réduit la durée de service de la batterie.
3. Chargez la batterie à une température ambiante comprise entre 10 °C et 40 °C (50 °F et 104 °F). Si la batterie est chaude, laissez-la refroidir avant de la charger.
4. Chargez la batterie si elle est restée inutilisée pendant une période prolongée (plus de six mois).

## DESCRIPTION DU FONCTIONNEMENT

### ⚠ ATTENTION :

- Assurez-vous toujours que l'outil est hors tension et que sa batterie est retirée avant de l'ajuster ou de vérifier son fonctionnement.

## Installation ou retrait de la batterie



► 1. Indicateur rouge 2. Bouton 3. Batterie

### ⚠ ATTENTION :

- Mettez toujours l'appareil hors tension avant d'installer ou de retirer la batterie.
- Tenez l'outil et la batterie fermement lors de l'installation ou du retrait de la batterie. Dans le cas contraire, ils pourraient vous glisser des mains, ce qui pourrait endommager l'outil et la batterie, et vous blesser.

Pour retirer la batterie, faites-la glisser de l'outil tout en faisant glisser le bouton se trouvant à l'avant. Pour installer la batterie, alignez sa languette sur la rainure pratiquée dans le boîtier, et glissez la batterie en place. Insérez-la à fond jusqu'à ce que vous entendiez un clic. Si vous pouvez voir l'indicateur rouge situé sur le dessus du bouton, la batterie n'est pas complètement verrouillée.

### ⚠ ATTENTION :

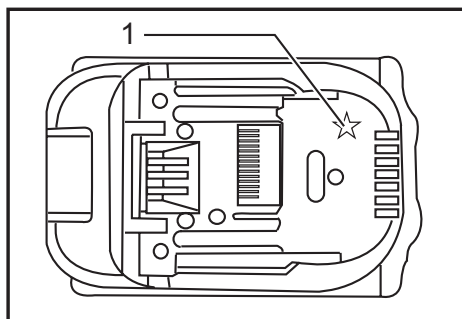
- Installez toujours la batterie à fond jusqu'à ce que vous ne puissiez plus voir l'indicateur rouge. Dans le cas contraire, elle pourrait tomber de l'outil et entraîner des blessures.
- Ne forcez pas sur la batterie pour l'installer. Si la batterie ne glisse pas facilement, c'est qu'elle n'est pas insérée correctement.

## Système de protection de la batterie

L'outil est équipé d'un système de protection de la batterie. Ce système coupe automatiquement l'alimentation du moteur pour augmenter la durée de vie de la batterie. L'outil s'arrête automatiquement pendant l'utilisation lorsque l'outil et/ou la batterie sont dans l'une des situations suivantes :

- En surcharge :  
L'outil est utilisé d'une manière entraînant une consommation anormale de courant. Dans cette situation, relâchez la gâchette et arrêtez l'activité qui entraîne une surcharge de l'outil. Puis appuyez de nouveau sur la gâchette pour redémarrer. Si l'outil ne démarre pas, la batterie est en surchauffe. Dans cette situation, laissez refroidir la batterie avant d'appuyer de nouveau sur la gâchette.
- Tension de la batterie faible :  
La capacité restante de la batterie est trop faible pour que l'outil puisse fonctionner. Dans cette situation, retirez et rechargez la batterie.

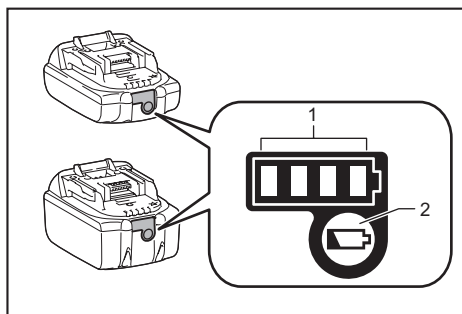
**NOTE :** La protection de surchauffe fonctionne uniquement avec les batteries comportant un repère en forme d'étoile.



► 1. Étoile

## Affichage de la charge restante de la batterie

*Uniquement pour les batteries avec voyant*



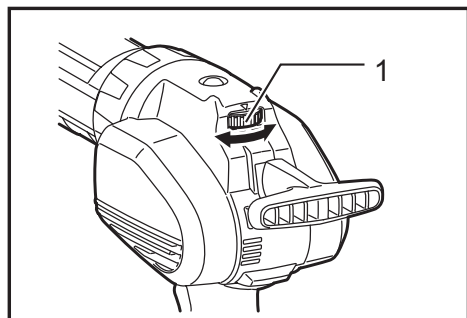
► 1. Témoins indicateurs 2. Bouton de vérification

Appuyez sur le bouton de vérification de la batterie pour afficher la charge restante de la batterie. Les témoins indicateurs s'allument pendant quelques secondes.

Témoins indicateurs			Charge restante
Allumé	Éteint	Clignotant	
■	□	◐	75 % à 100 %
■	■	□	50 % à 75 %
■	■	□	25 % à 50 %
■	□	□	0 % à 25 %
◐	□	□	Chargez la batterie.
■	■	□	La batterie a peut-être mal fonctionné.
□	□	■	

**NOTE :** Suivant les conditions d'utilisation et la température ambiante, il se peut que l'indication soit légèrement différente de la charge réelle.

## Cadran de réglage de vitesse



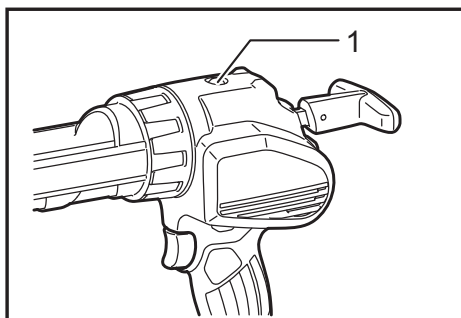
► 1. Cadran de réglage de la vitesse

La vitesse de l'outil peut être réglée à l'aide du cadran. Une vitesse plus élevée s'obtient en tournant le cadran vers le numéro 5, et une vitesse plus basse en tournant vers le numéro 1.

### NOTE :

- Le cadran de réglage de la vitesse ne peut pas dépasser le 5 et le 1. Ne le forcez pas à dépasser le 5 ou le 1, sinon la fonction de réglage de la vitesse risque de ne plus fonctionner.
- Suivant le type et la condition du matériau de calfeutrage, il se peut qu'il ne sorte pas lentement. Le cas échéant, réglez le cadran de réglage de la vitesse sur une valeur plus élevée.

## Témoin d'avertissement de surcharge



► 1. Témoin d'avertissement

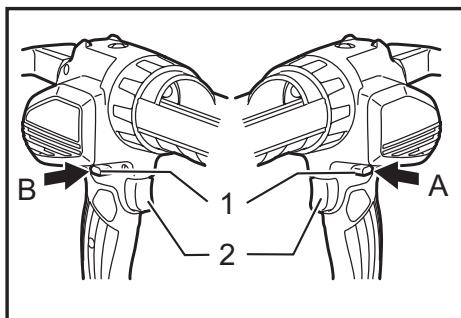
Le témoin d'avertissement clignote en rouge lorsque l'outil est surchargé. Si la charge atteint un certain point, le témoin clignote toujours en rouge et l'outil s'arrête. Pour redémarrer l'outil, relâchez la gâchette et appuyez de nouveau dessus.

**NOTE :** Vérifiez ce qui provoque la surcharge lorsque le témoin clignote ou s'allume. Diminuez le paramètre du cadran de réglage de vitesse ou augmentez le diamètre du bec.

## Interrupteur

### ⚠ ATTENTION :

- Avant d'insérer la batterie dans l'outil, vérifiez toujours que la gâchette fonctionne bien et revient en position d'arrêt lorsque relâchée.
- Lorsque vous n'utilisez pas l'outil, appuyez sur le bouton de verrouillage du côté A afin de verrouiller la gâchette à la position d'arrêt.



► 1. Levier de verrouillage 2. Gâchette

Le bouton de verrouillage est fourni pour prévenir la pression accidentelle sur la gâchette. Pour faire démarrer l'outil, appuyez sur le bouton de verrouillage du côté B puis sur la gâchette. La vitesse de l'outil augmente à mesure que vous augmentez la pression sur la gâchette. Pour arrêter l'outil, relâchez la gâchette.

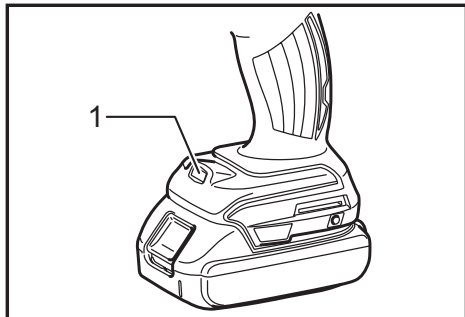
Lorsque vous avez terminé de l'utiliser, appuyez sur le bouton de verrouillage pour qu'il soit du côté A.



## Allumage de la lampe

### ⚠ ATTENTION :

- Évitez de regarder directement le faisceau lumineux ou sa source.



#### ► 1. Lampe

Tirez sur la gâchette pour allumer la lampe. La lampe reste allumée tant que la gâchette n'est pas libérée. La lampe s'éteint environ 10 secondes après le relâchement de la gâchette.

### NOTE :

- Utilisez un chiffon sec pour essuyer la saleté qui recouvre la lentille de la lampe. Prenez garde de rayer la lentille de la lampe, pour éviter une diminution de l'éclairage.
- Lorsque l'outil est surchauffé, la lampe clignote. Refroidissez l'outil complètement avant de le réutiliser.

## Fonction antigoutte

Le moteur tourne pendant un court moment même après le relâchement de la gâchette. Il relâche la pression du mastic et évite la chute de goutte.

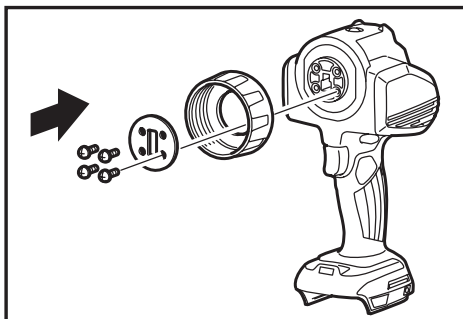
## ASSEMBLAGE

### ⚠ ATTENTION :

- Assurez-vous toujours que l'outil est hors tension et que sa batterie est retirée avant d'effectuer tout travail dessus.
- Placez toujours l'outil sur le sol ou sur un établi lors de l'assemblage. L'outil peut tomber et causer des blessures s'il n'est pas tenu fermement.

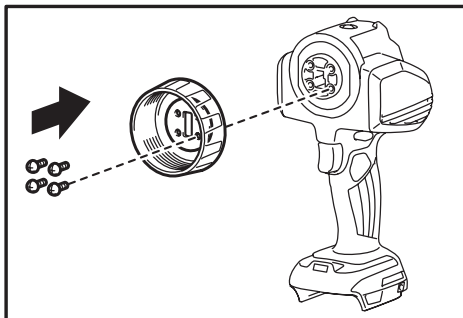
## Installation du joint du support

### Pour le support court (300 ml (18,3 po3)) et le support long (600 ml (36,6 po3))



Placez le joint du support sur l'outil, posez la plaque et fixez-les avec des vis.

### Pour le gros support (800 ml (48,8 po3))



Placez le joint du support fermement sur l'outil et fixez-le avec des vis.

Pour retirer le joint du support, suivez les étapes décrites ci-dessus en sens inverse.

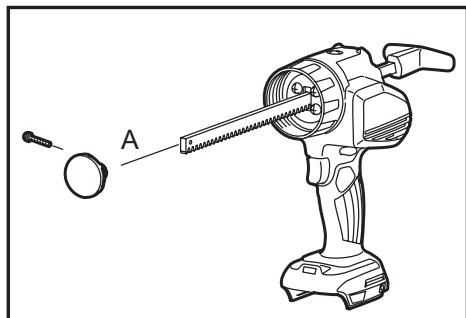
### NOTE :

- On compte trois types de supports (accessoire en option) : le support court (300 ml (18,3 po3)), le support long (600 ml (36,6 po3)) et le gros support (800 ml (48,8 po3)). Utilisez le joint du support approprié.

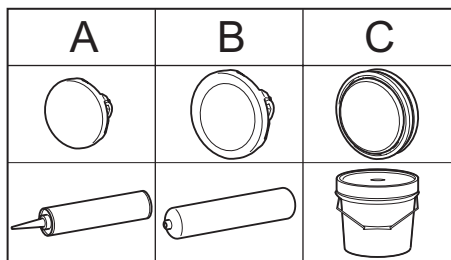
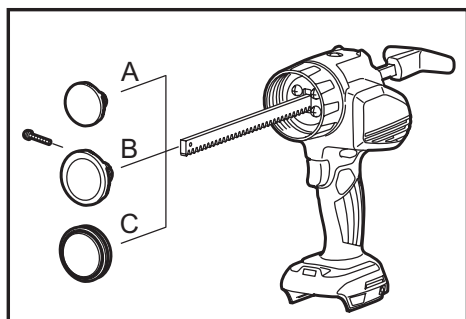


## Installation de la tige et du piston

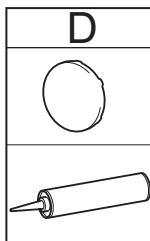
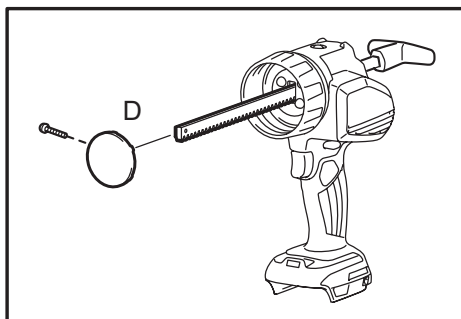
### Pour le support court (300 ml (18,3 po3))



### Pour le support long (600 ml (36,6 po3))



### Pour le gros support (800 ml (48,8 po3))



Insérez la tige dans la fente de l'outil.

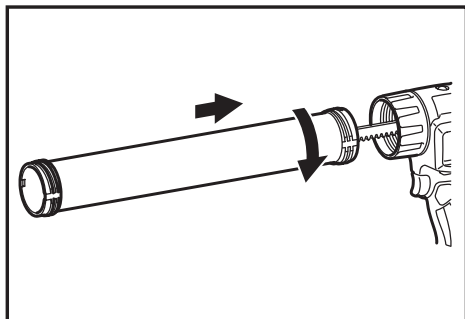
Placez le piston et serrez-le avec une vis.

Pour retirer la tige et le piston, suivez les étapes de l'installation en sens inverse.

#### AVIS :

- Les dents sur la tige doivent être orientées vers le bas.
- On compte quatre types de pistons. Les pistons A et D servent pour les cartouches. Le piston B pour les packs de type film. Le piston C pour le masticage direct.
- Choisissez le piston approprié selon le type de conteneur de mastic. Un piston incorrect peut entraîner des fuites ou une casse de l'outil.
- On compte trois types de tiges. Les tiges pour support court (300 ml (18,3 po3)), les tiges pour support long (600 ml (36,6 po3)) et les tiges pour gros support (800 ml (48,8 po3)). **Utilisez le type de tige approprié, selon le type de support.**
- Veillez à ce que la tige et le piston soient toujours propres. Du mastic adhérent peut endommager l'outil.

## Installation du support



Tenez le fond du support et le joint du support, puis tournez le support dans le sens des aiguilles d'une montre. Serrez-le à fond. Vérifiez que le support est serré à fond. Sinon l'outil pourrait être endommagé. Pour retirer le support, tournez-le dans le sens inverse des aiguilles d'une montre.

### NOTE :

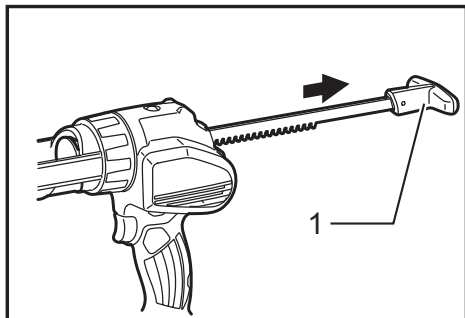
- Vous pouvez tourner le support pour faciliter l'opération.
- Le support court (300 ml (18,3 po3)) et le gros support (800 ml (48,8 po3)) sont conçus pour les cartouches uniquement. Utilisez uniquement le piston A avec le support court (300 ml (18,3 po3)). Utilisez uniquement le piston D avec le gros support (800 ml (48,8 po3)). Ne les utilisez pas avec les packs de type film ou le masticage direct. Utilisez également la tige appropriée, selon le type de support.

## Installation de la cartouche

### AVIS :

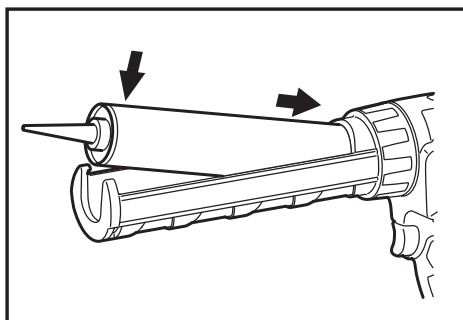
- Vérifiez que le piston A est fixé à la tige. N'utilisez pas un autre type de piston pour la cartouche.

### Installation de la cartouche dans le support court (300 ml (18,3 po3))



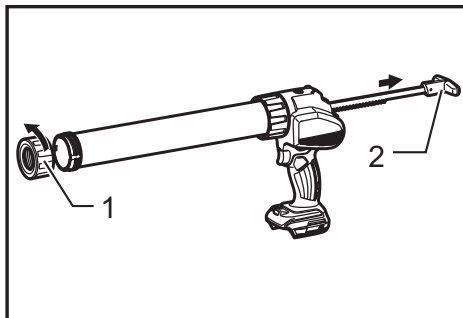
- 1. Poignée de la tige

Tirez lentement la poignée de la tige vers l'arrière jusqu'à ce qu'elle s'arrête.



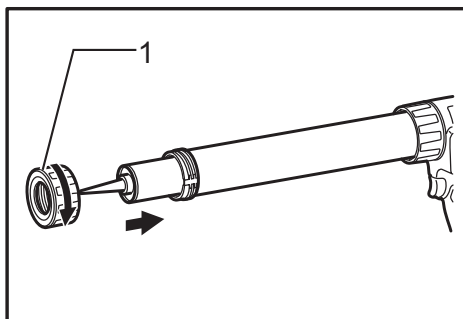
Insérez la cartouche dans le support comme sur l'illustration. Enfoncez lentement la tige jusqu'à ce que le piston touche le fond de la cartouche. Pour retirer la cartouche, tirez la tige vers l'arrière jusqu'à ce qu'elle s'arrête, puis sortez la cartouche.

### Installation de la cartouche sur le support long (600 ml (36,6 po3)) ou le gros support (800 ml (48,8 po3))



- 1. Bouchon du support 2. Poignée de la tige

Retirez le bouchon du support. Tirez lentement la poignée de la tige vers l'arrière jusqu'à ce qu'elle s'arrête.



- 1. Bouchon du support

Insérez la cartouche dans le support. Placez le bouchon du support. Vérifiez qu'il est serré à fond. Enfoncez lentement la tige jusqu'à ce que le piston touche le fond de la cartouche. Pour retirer la cartouche, retirez le bouchon du support, puis sortez la cartouche.

#### AVIS :

- Vérifiez toujours que la cartouche n'est pas percée ou endommagée avant de l'installer. N'utilisez pas une cartouche endommagée, sinon l'outil pourrait être endommagé.
- Lorsque vous utilisez une cartouche partiellement usagée, retirez tout le matériau collé dessus.

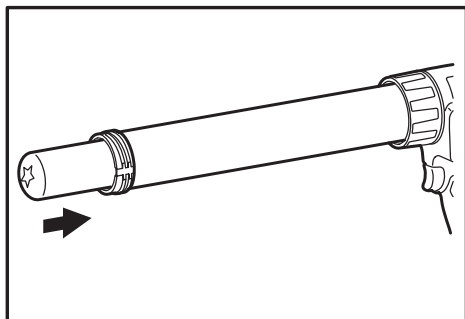
### Installation du pack de type film

#### AVIS :

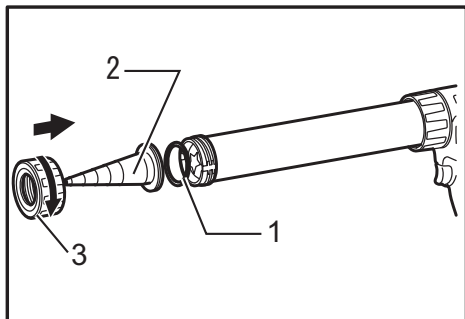
- Vérifiez que le piston B est fixé à la tige. N'utilisez pas un autre type de piston pour le pack de type film.
- Le pack de type film ne peut être installé que dans le support long (600 ml (36,6 po3)).

Retirez le bouchon du support, le bec et la rondelle en caoutchouc du support.

Tirez lentement la poignée de la tige vers l'arrière jusqu'à ce qu'elle s'arrête.



Coupez le bout du pack de type film.  
Insérez le pack de type film dans le support.



► 1. Rondelle de caoutchouc 2. Buse 3. Bouchon du support

Placez la rondelle en caoutchouc, le bec et le bouchon du support. Vérifiez que le bouchon du support est serré à fond.

Enfoncez lentement la tige jusqu'à ce que le piston touche le fond du pack de type film.

#### NOTE :

- Vérifiez toujours que le pack de type film n'est pas percé ou endommagé avant de l'installer. N'utilisez pas un pack endommagé, sinon l'outil pourrait être endommagé.

### Masticage direct

#### AVIS :

- Vérifiez que le piston C est fixé à la tige. N'utilisez pas un autre type de piston pour le masticage direct.
- Le masticage direct ne peut être réalisé qu'avec le support long (600 ml (36,6 po3)).

Retirez le bouchon du support, le bec et la rondelle en caoutchouc du support.

Vérifiez que la poignée de la tige est enfoncée à fond. Enfoncez l'ouverture du support dans le mastic.

Tirez lentement la poignée de la tige jusqu'à ce que le support contienne la quantité de mastic requise. Placez la rondelle en caoutchouc, le bec et le bouchon du support. Vérifiez que le bouchon du support est serré à fond.

#### AVIS :

- Nettoyez le support avec du solvant approprié après utilisation. Sinon du mastic collé pourrait entraîner une casse de l'outil.

### UTILISATION

#### ATTENTION :

- Ne touchez pas la tige pendant le fonctionnement. Vous pourriez coincer votre doigt entre la tige et le boîtier de l'outil.
- Portez toujours des lunettes de protection pendant le fonctionnement.

#### AVIS :

- Ne couvrez pas les événements, car cela pourrait entraîner une surchauffe ou endommager l'outil.
- Si vous ne parvenez pas à sortir la tige, tournez le cadran de réglage de vitesse vers « 1 », appuyez sur la gâchette pendant un petit moment, puis essayez de sortir la tige lorsque le moteur est arrêté. Si la tige est toujours coincée, effectuez la même action jusqu'à ce que la tige puisse bouger.

Coupez le bout du bec adapté à l'opération. Faites attention à la quantité de bec que vous coupez. Le diamètre du bec joue sur la quantité de mastic dispensée. Appuyez sur la gâchette pour dispenser du mastic. La quantité de mastic dispensée est déterminée par la gâchette, le cadran de réglage de vitesse, le diamètre de l'ouverture du bec, le type de mastic et la température.

Il est recommandé de régler le cadran de réglage de vitesse sur « 1 » et de tirer lentement sur la gâchette la première fois pour évaluer combien de mastic s'écoule. Lorsque la tige est enfoncée à fond, le moteur commence à ralentir. Rajoutez du mastic lorsque cela se produit.

**NOTE :** Si le mastic n'est pas dispensé, vérifiez les éléments suivants :

- Le bout du bec n'est pas coupé de façon adéquate. Coupez le bout du bec adapté à l'opération.
- Du matériau durci reste coincé dans le bec. Retirez le matériau durci.
- La cartouche est endommagée. Remplacez la cartouche.
- Le mastic est dur. Réchauffez le matériau jusqu'à ce qu'il soit tendre.
- Le mauvais piston est utilisé. Utilisez le piston adéquat.

- Jeu de support long (600 ml (36,6 po3))
- Plaque (si vous avez le gros support (800 ml (48,8 po3)) uniquement et que vous achetez un jeu de support court (300 ml (18,3 po3)) ou un jeu de support long (600 ml (36,6 po3)), la plaque est également requise.)
- Jeu de gros support (800 ml (48,8 po3))
- Buse
- Lunettes de sécurité
- Chargeur et batterie authentiques Makita

**NOTE :**

- Certains éléments de la liste peuvent être inclus avec l'outil comme accessoires standard. Ils peuvent varier suivant les pays.

## ENTRETIEN

**ATTENTION :**

- Assurez-vous toujours que l'outil est arrêté et que la batterie a été retirée avant de tenter d'effectuer une inspection ou un entretien; sauf en ce qui concerne le dépannage lié à la lumière.
- N'utilisez jamais d'essence, de benzine, de solvant, d'alcool ou d'autres produits similaires. Une décoloration, une déformation, ou la formation de fissures peuvent en découler.
- Nettoyez le support et la tige après utilisation. Ne laissez aucune trace de mastic. Retirez le mastic avant qu'il ne durcisse. Tout matériau adhésif restant peut entraîner une casse de l'outil.

Pour maintenir la SÉCURITÉ et la FIABILITÉ du produit, les réparations, l'inspection et le remplacement des charbons, et tout autre travail d'entretien ou de réglage doivent être effectués dans une usine ou un centre de service après-vente Makita agréé, exclusivement avec des pièces de rechange Makita.

## ACCESSOIRES EN OPTION

**ATTENTION :**

- Ces accessoires ou pièces complémentaires sont recommandés pour l'utilisation avec l'outil Makita spécifié dans ce mode d'emploi. L'utilisation de tout autre accessoire ou pièce complémentaire peut comporter un risque de blessure. N'utilisez les accessoires ou pièces qu'aux fins auxquelles ils ont été conçus.

Si vous désirez obtenir plus de détails concernant ces accessoires, veuillez contacter le centre de service après-vente Makita le plus près.

- Piston A
- Piston B
- Piston C
- Piston D
- Jeu de support court (300 ml (18,3 po3))

## GARANTIE LIMITÉE MAKITA

Pour les conditions de garantie en vigueur qui s'appliquent à ce produit, veuillez vous reporter à la feuille de garantie en annexe. Si la feuille de garantie en annexe n'est pas disponible, reportez-vous aux détails de la garantie présentés sur le site Web de votre pays, ci-dessous.

États-Unis d'Amérique: [www.makitatools.com](http://www.makitatools.com)

Canada: [www.makita.ca](http://www.makita.ca)

Autres pays: [www.makita.com](http://www.makita.com)

# ESPECIFICACIONES

Modelo		DCG180	
Fuerza máxima de alimentación		5 000 N (1 100 lbs)	
Velocidad de alimentación		0 mm/s - 28 mm/s (0 plg/min - 66 plg/min)	
Ciclo	con sujetador corto (300 ml (18,3 plg.cu.))	214 mm (8-3/4")	
	con sujetador largo (600 ml (36,6 plg.cu.))	350 mm (13-3/4")	
	con sujetador largo (800 ml (48,8 plg.cu.))	285 mm (11-1/4")	
Longitud total	con sujetador corto (300 ml (18,3 plg.cu.))	404 mm (15-7/8")	
	con sujetador largo (600 ml (36,6 plg.cu.))	538 mm (21-1/4")	
	con el sujetador grande (800 ml (48,8 plg.cu.))	480 mm (18-7/8")	
Cartucho de batería estándar		BL1815 / BL1815N / BL1820 / BL1820B	BL1830 / BL1830B / BL1840 / BL1840B / BL1850 / BL1850B / BL1860B
Peso neto	con sujetador corto (300 ml (18,3 plg.cu.))	2,1 kg (4,7 lbs)	2,3 kg (5,1 lbs)
	con sujetador largo (600 ml (36,6 plg.cu.))	2,5 kg (5,5 lbs)	2,7 kg (6,0 lbs)
	con el sujetador grande (800 ml (48,8 plg.cu.))	2,4 kg (5,4 lbs)	2,7 kg (5,9 lbs)
Tensión nominal		18 V c.c.	

- Debido a nuestro programa continuo de investigación y desarrollo, las especificaciones aquí dadas están sujetas a cambios sin previo aviso.
- Las especificaciones y el cartucho de la batería pueden variar de país a país.
- Peso de acuerdo al procedimiento de EPTA-01/2003 incluyendo el cartucho de la batería

## Advertencias de seguridad generales para herramientas eléctricas

**⚠ADVERTENCIA:** lea todas las advertencias de seguridad e instrucciones. Si no sigue todas las advertencias e instrucciones indicadas a continuación, podrá ocasionar una descarga eléctrica, un incendio y/o lesiones graves.

## Guarde todas las advertencias e instrucciones para su futura referencia.

El término "herramienta eléctrica" se refiere, en todas las advertencias que aparecen a continuación, a su herramienta eléctrica de funcionamiento con conexión a la red eléctrica (con cableado eléctrico) o herramienta eléctrica de funcionamiento a batería (inalámbrica).

### Seguridad en el área de trabajo

1. **Mantenga el área de trabajo limpia y bien iluminada.** Las áreas oscuras o desordenadas son propensas a accidentes.

2. **No utilice las herramientas eléctricas en atmósferas explosivas, tal como en la presencia de líquidos, gases o polvo inflamables.** Las herramientas eléctricas crean chispas que pueden prender fuego al polvo o los humos.
3. **Mantenga a los niños y curiosos alejados mientras utiliza una herramienta eléctrica.** Las distracciones le pueden hacer perder el control.

### Seguridad eléctrica

4. **Las clavijas de conexión de las herramientas eléctricas deberán encajar perfectamente en la toma de corriente. No modifique nunca la clavija de conexión de ninguna forma. No utilice ninguna clavija adaptadora con herramientas eléctricas que tengan conexión a tierra (puesta a tierra).** La utilización de clavijas no modificadas y que encajen perfectamente en la toma de corriente reducirá el riesgo de que se produzca una descarga eléctrica.
5. **Evite tocar con el cuerpo superficies conectadas a tierra o puestas a tierra tales como tubos, radiadores, cocinas y refrigeradores.** Si su cuerpo es puesto a tierra o conectado a tierra existirá un mayor riesgo de que sufra una descarga eléctrica.

6. **No exponga las herramientas eléctricas a la lluvia ni a condiciones húmedas.** La entrada de agua en una herramienta eléctrica aumentará el riesgo de que se produzca una descarga eléctrica.
7. **No jale el cable. Nunca utilice el cable para transportar, jalar o desconectar la herramienta eléctrica.** Mantenga el cable alejado del calor, aceite, objetos cortantes o piezas móviles. Los cables dañados o atrapados aumentan el riesgo de sufrir una descarga eléctrica.
8. **Cuando utilice una herramienta eléctrica en exteriores, utilice un cable de extensión apropiado para uso en exteriores.** La utilización de un cable apropiado para uso en exteriores reducirá el riesgo de que se produzca una descarga eléctrica.
9. **Si no es posible evitar usar una herramienta eléctrica en condiciones húmedas, utilice un alimentador protegido con interruptor de circuito de falla en tierra (ICFT).** El uso de un ICFT reduce el riesgo de descarga eléctrica.

#### Seguridad personal

10. **Manténgase alerta, preste atención a lo que está haciendo y utilice su sentido común cuando opere una herramienta eléctrica. No utilice la herramienta eléctrica cuando esté cansado o bajo la influencia de drogas, alcohol o medicamentos.** Un momento de distracción mientras opera la máquina puede dar como resultado heridas personales graves.
  11. **Use equipo de protección personal. Póngase siempre protección para los ojos.** El equipo protector tal como máscara contra el polvo, zapatos de seguridad antiderrapantes, casco rígido y protección para oídos utilizado en las condiciones apropiadas reducirá las heridas personales.
  12. **Impida el encendido accidental. Asegúrese de que el interruptor esté en la posición de apagado antes de conectar a la alimentación eléctrica y/o de colocar el cartucho de la batería, así como al levantar o cargar la herramienta.** Cargar las herramientas eléctricas con su dedo en el interruptor o enchufarlas con el interruptor encendido hace que los accidentes sean propensos.
  13. **Retire cualquier llave de ajuste o llave de apriete antes de encender la herramienta.** Una llave de ajuste o llave de apriete que haya sido dejada puesta en una parte giratoria de la herramienta eléctrica podrá resultar en heridas personales.
  14. **No utilice la herramienta donde no alcance. Mantenga los pies sobre suelo firme y el equilibrio en todo momento.** Esto permite un mejor control de la herramienta eléctrica en situaciones inesperadas.
  15. **Use vestimenta apropiada. No use ropas sueltas ni joyas. Mantenga el cabello, la ropa y los guantes alejados de las piezas móviles.** Las prendas de vestir holgadas, las joyas y el cabello suelto podrían engancharse en estas piezas móviles.
  16. **Si dispone de dispositivos para la conexión de equipos de extracción y recolección de polvo, asegúrese de conectarlos y utilizarlos debidamente.** La utilización de estos dispositivos reduce los riesgos relacionados con el polvo.
- Mantenimiento y uso de la herramienta eléctrica**
17. **No fuerce la herramienta eléctrica. Utilice la herramienta eléctrica correcta para su aplicación.** La herramienta eléctrica adecuada hará un trabajo mejor a la velocidad para la que ha sido fabricada.
  18. **No utilice la herramienta eléctrica si el interruptor no la enciende y apaga.** Cualquier herramienta eléctrica que no pueda ser controlada con el interruptor es peligrosa y debe ser reemplazada.
  19. **Desconecte la clavija de la fuente de energía y/o la batería de la herramienta eléctrica antes de realizar ajustes, cambiar accesorios o guardar las herramientas eléctricas.** Dichas medidas de seguridad preventivas reducen el riesgo de que la herramienta se inicie accidentalmente.
  20. **Guarde la herramienta eléctrica que no use fuera del alcance de los niños y no permita que las personas que no están familiarizadas con ella o con las instrucciones la operen.** Las herramientas eléctricas son peligrosas en manos de personas que no saben operarlas.
  21. **Realice el mantenimiento a las herramientas eléctricas. Compruebe que no haya partes móviles desalineadas o estancadas, piezas rotas y cualquier otra condición que pueda afectar al funcionamiento de la herramienta eléctrica. Si la herramienta eléctrica está dañada, haga que se la reparen antes de utilizarla.** Muchos accidentes son ocasionados por herramientas eléctricas con un mal mantenimiento.
  22. **Mantenga las herramientas de corte limpias y filosas.** Si recibe un mantenimiento adecuado y tiene los bordes afilados, es probable que la herramienta se atasque menos y sea más fácil controlarla.
  23. **Utilice la herramienta eléctrica, así como accesorios, piezas, brocas, etc. de acuerdo con estas instrucciones y de la manera establecida para cada tipo de unidad en particular; tenga en cuenta las condiciones laborales y el trabajo a realizar.** Si utiliza la herramienta eléctrica para realizar operaciones distintas de las indicadas, podrá presentarse una situación peligrosa.
- Uso y cuidado de la herramienta a batería**
24. **Realice la recarga sólo con el cargador especificado por el fabricante.** Un cargador que es adecuado para un solo tipo de batería puede generar riesgo de incendio al ser utilizado con otra batería.
  25. **Utilice las herramientas eléctricas solamente con las baterías designadas específicamente para ellas.** La utilización de cualquier otra batería puede crear un riesgo de heridas o incendio.

26. Cuando no se esté usando el cartucho de la batería, manténgalo alejado de otros objetos metálicos, como sujetapapeles (clips), monedas, llaves, clavos, tornillos u otros objetos pequeños de metal los cuales pueden actuar creando una conexión entre las terminales de la batería. Cerrar el circuito de las terminales de la batería puede causar quemaduras o incendios.
27. En condiciones abusivas, podrá escapar líquido de la batería; evite tocarlo. Si lo toca accidentalmente, enjuague con agua. Si hay contacto del líquido con los ojos, acuda por ayuda médica. Puede que el líquido expulsado de la batería cause irritación o quemaduras.

#### Servicio de mantenimiento

28. Haga que una persona calificada repare la herramienta utilizando sólo piezas de repuesto idénticas. Esto asegura que se mantenga la seguridad de la herramienta eléctrica.
29. Siga las instrucciones para la lubricación y cambio de accesorios.
30. Mantenga las agarraderas secas, limpias y sin aceite o grasa.

### ADVERTENCIAS DE SEGURIDAD PARA LA PISTOLA INALÁMBRICA PARA APLICACIÓN DE SELLADOR


- Mantenga las manos y prendas de vestir alejadas del área de la barra y del émbolo. De lo contrario, puede que sus dedos o ropa queden pinzados causando lesiones.
- Asegúrese siempre de pisar firmemente.
- Sujete la herramienta firmemente.
- Trabaje siempre en un área con ventilación adecuada y use los protectores apropiados en función de la operación.
- Lea y siga las instrucciones indicadas por el fabricante para el material de sellado o material adhesiva antes de usarlo.

### GUARDE ESTAS INSTRUCCIONES.

**⚠ADVERTENCIA:** NO DEJE que la comodidad o familiaridad con el producto (a base de utilizarlo repetidamente) sustituya la estricta observancia de las normas de seguridad para dicho producto. El MAL USO o el no seguir las normas de seguridad establecidas en este manual de instrucciones puede ocasionar graves lesiones personales.

### Símbolos

A continuación se muestran los símbolos utilizados para la herramienta.

V	volts o voltios
	corriente directa o continua

### Instrucciones importantes de seguridad para el cartucho de batería

- Antes de utilizar el cartucho de batería, lea todas las instrucciones e indicaciones de precaución en el (1) el cargador de batería, (2) la batería, y (3) el producto con el que se utiliza la batería.
- No desarme el cartucho de batería.
- Si el tiempo de operación se ha acordado en exceso, deje de operar de inmediato. Podría correrse el riesgo de sobrecalentamiento, posibles quemaduras e incluso explosión.
- En caso de que ingresen electrolitos en sus ojos, enjuáguelos bien con agua limpia y consulte de inmediato a un médico. Esto podría ocasionar pérdida de visión.
- Evite cortocircuitar el cartucho de batería:
  - No toque las terminales con ningún material conductor.
  - Evite guardar el cartucho de batería en un cajón junto con otros objetos metálicos, tales como clavos, monedas, etc.
  - No exponga el cartucho de batería al agua o la lluvia.

Un cortocircuito en la batería puede causar un flujo grande de corriente, sobrecalentamiento, posibles quemaduras e incluso una descompostura.

- No guarde la herramienta ni el cartucho de batería en lugares donde la temperatura pueda alcanzar o exceder los 50°C (122°F).
- Nunca incinere el cartucho de batería incluso en el caso de que esté dañado seriamente o ya no sirva en absoluto. El cartucho de batería puede explotar si se tira al fuego.
- Tenga cuidado de no dejar caer ni golpear la batería.
- No use una batería dañada.
- Las baterías de ión de litio están sujetas a los requisitos reglamentarios en materia de bienes peligrosos.

Para el transporte comercial, por ej., mediante terceros o agentes de transporte, se deben tomar en cuenta los requisitos especiales relativos al empaque y el etiquetado.

Para efectuar los preparativos del artículo que se va a enviar, se requiere consultar a un experto en materiales peligrosos. Si es posible, consulte además otras regulaciones nacionales más detalladas. Pegue o cubra con cinta adhesiva los contactos abiertos y empaque la batería de manera que ésta no pueda moverse dentro del paquete.

11. **Siga las regulaciones locales relacionadas al desecho de las baterías.**
12. **Utilice las baterías únicamente con los productos especificados por Makita.** Instalar las baterías en productos que no cumplan con los requisitos podría ocasionar un incendio, un calentamiento excesivo, una explosión o una fuga de electrolito.

## GUARDE ESTAS INSTRUCCIONES.

**⚠PRECAUCIÓN:** Utilice únicamente baterías originales de Makita. El uso de baterías no originales de Makita, o de baterías alteradas, puede ocasionar que las baterías exploten causando un incendio, lesiones personales y daños. Asimismo, esto invalidará la garantía de Makita para la herramienta y el cargador Makita.

## Consejos para alargar al máximo la vida útil de la batería

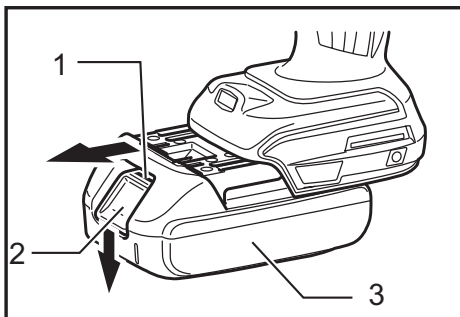
1. **Cargue el cartucho de batería antes de que se descargue completamente.** Pare siempre la operación y cargue el cartucho de batería cuando note menos potencia en la herramienta.
2. **No cargue nunca un cartucho de batería que esté completamente cargado.** La sobrecarga acortará la vida de servicio de la batería.
3. **Cargue el cartucho de batería a una temperatura ambiente de 10 °C - 40 °C (50 °F - 104 °F).** Si un cartucho de batería está caliente, déjelo enfriar antes de cargarlo.
4. **Cargue el cartucho de batería si no va a utilizarlo durante un período prolongado (más de seis meses).**

## DESCRIPCIÓN DEL FUNCIONAMIENTO

### ⚠PRECAUCIÓN:

- Asegúrese siempre de que la herramienta esté apagada y el cartucho de batería extraído antes de realizar cualquier ajuste o comprobación en la herramienta.

## Instalación o desmontaje del cartucho de batería



- 1. Indicador rojo 2. Botón 3. Cartucho de batería

### ⚠PRECAUCIÓN:

- Apague siempre la herramienta antes de colocar o quitar el cartucho de batería.
- Sujete la herramienta y el cartucho de la batería con firmeza al colocar o extraer el cartucho. No seguir esta indicación puede que resulte en que el cartucho resbale de sus manos y se dañe la herramienta y la batería, así como ocasionar lesiones personales.

Para quitar el cartucho de batería, deslícelo de la herramienta mientras desliza el botón sobre la parte delantera del cartucho.

Para colocar el cartucho de batería, alinee la lengüeta sobre el cartucho de batería con la ranura en la carcasa y deslice en su lugar. Inserte por completo hasta que se fije en su lugar con un pequeño clic. Si puede ver el indicador rojo del lado superior del botón, esto indica que no ha quedado fijo por completo.

### ⚠PRECAUCIÓN:

- Introduzca siempre completamente el cartucho de batería hasta que el indicador rojo no pueda verse. Si no, podría accidentalmente salirse de la herramienta y caer al suelo causando una lesión a usted o alguien a su alrededor.
- No instale el cartucho de batería a la fuerza: si el cartucho no se desliza al interior fácilmente, se debe a que no está siendo insertado correctamente.



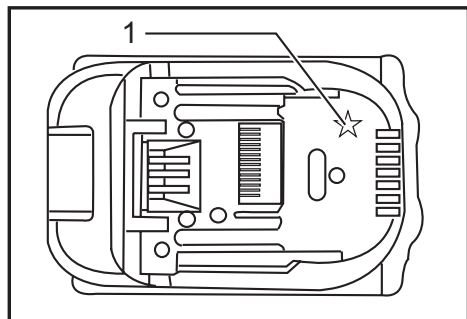
## Sistema de protección de la batería

La herramienta está equipada con un sistema de protección de la batería. Este sistema corta en forma automática el suministro de energía al motor para prolongar la vida útil de la batería.

La herramienta se detendrá automáticamente durante el funcionamiento si la herramienta y/o la batería se someten a una de las siguientes condiciones:

- Sobrecarga:**  
 La herramienta se está utilizando de una manera que causa que consuma una cantidad de corriente inusualmente alta. En este caso, libere el gatillo interruptor en la herramienta y detenga la aplicación que causó que la herramienta se sobrecargara. Luego, vuelva a jalar el gatillo interruptor para reanudar el funcionamiento. Si la herramienta no empieza a funcionar, significa que la batería se sobrecalentó. En este caso, espere que la batería se enfríe antes de volver a jalar el gatillo interruptor.
- Bajo voltaje de la batería:**  
 La capacidad restante de la batería es demasiado baja y la herramienta no funcionará. En este caso, extraiga la batería y vuelva a cargarla.

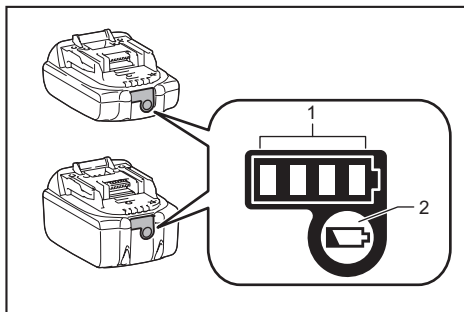
**NOTA:** La protección contra el sobrecalentamiento funciona solamente con una cartucho de batería el cual presente una marca de estrella.



► 1. Marca de estrella

## Indicación de la capacidad restante de la batería

Únicamente para cartuchos de batería con el indicador



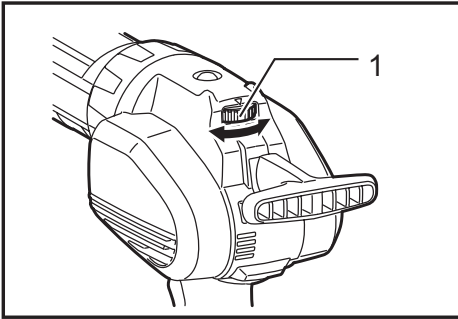
► 1. Luces indicadoras 2. Botón de verificación

Oprima el botón de verificación en el cartucho de la batería para que indique la capacidad restante de la batería. Las luces indicadoras se iluminarán por algunos segundos.

Luces indicadoras			Capacidad restante
Iluminadas	Apagadas	Parpadeando	
■ ■ ■ ■			75% a 100%
■ ■ ■ □			50% a 75%
■ ■ □ □			25% a 50%
■ □ □ □			0% a 25%
▣ □ □ □			Cargar la batería.
■ ■ □ □			La batería pudo haber funcionado mal.
□ □ ■ ■			

**NOTA:** Dependiendo de las condiciones de uso y la temperatura ambiente, la indicación podrá diferir ligeramente de la capacidad real.

## Control de ajuste de velocidad



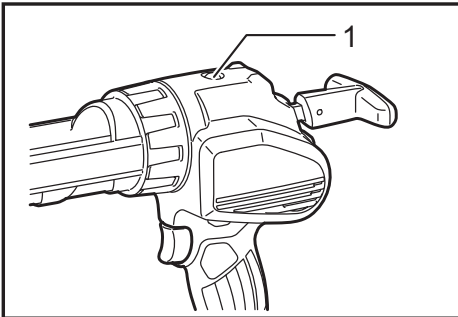
► 1. Control de ajuste de velocidad

La velocidad de la herramienta puede ajustarse al girar el control de ajuste de velocidad. Se obtiene una mayor velocidad al girar el control de ajuste de velocidad hacia la dirección del número 5, y una menor velocidad al girarlo hacia la dirección del número 1.

### NOTA:

- El control de ajuste de velocidad sólo se puede girar hasta 5 o hasta 1. No lo force más allá de estas marcas o la función de ajuste de velocidad podría arruinarse.
- Dependiendo del tipo y las condiciones del material de sellado, éste podría no ser alimentado a baja velocidad. En este caso, coloque el selector de ajuste de velocidad en un nivel más alto.

## Luz indicadora de advertencia de sobrecarga de trabajo



► 1. Luz indicadora de advertencia

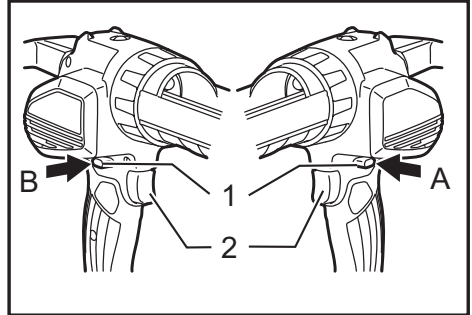
La luz indicadora de advertencia parpadea en rojo cuando la herramienta experimenta sobrecarga de trabajo. Si la carga alcanza cierto punto, la luz indicadora se mantiene encendida en rojo parando la herramienta. Para reiniciar la herramienta, libere el gatillo y luego jálelo nuevamente.

**NOTA:** Revise qué fue lo que causa la sobrecarga de trabajo cuando la luz indicadora parpadea o se enciende. Cambie el parámetro de la velocidad a ajustar a un valor más bajo el control de ajuste de velocidad, o aumente el diámetro de la boquilla.

## Accionamiento del interruptor

### ⚠PRECAUCIÓN:

- Antes de insertar el cartucho de batería en la herramienta, compruebe siempre y cerciórese de que el gatillo interruptor se acciona debidamente y que vuelve a la posición "OFF" (apagado) cuando lo suelta.
- Al no estar utilizando la herramienta, presione el botón de bloqueo del gatillo del lado A para bloquear el gatillo interruptor en la posición "OFF" (apagado).



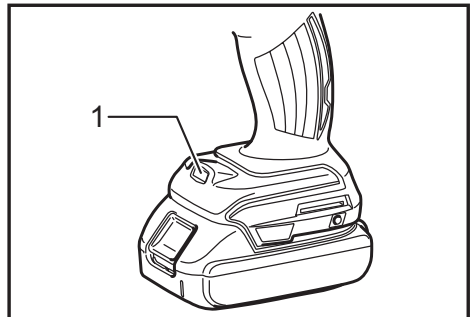
► 1. Palanca de bloqueo 2. Gatillo interruptor

Para evitar que el gatillo interruptor sea jalado accidentalmente, se cuenta con un botón de bloqueo del gatillo. Para iniciar la herramienta, presione el botón de bloqueo del gatillo del lado B y jale el gatillo interruptor. La velocidad de la herramienta aumenta al incrementar la presión en el gatillo interruptor. Suelte el gatillo interruptor para parar la herramienta. Después de utilizar, presione el botón de bloqueo del gatillo del lado A.

## Encendido de la luz indicadora

### ⚠PRECAUCIÓN:

- No mire a la luz ni vea la fuente de luz directamente.



► 1. Lámpara

Jale el gatillo interruptor para encender la lámpara. La luz continúa iluminando mientras se continúe apretando el gatillo. La lámpara se apaga aproximadamente 10 segundos tras haber liberado el gatillo interruptor.

**NOTA:**

- Utilice un paño seco para quitar la suciedad de la lente de la lámpara. Tenga cuidado de no rayar la lente de la lámpara, porque podrá disminuir la iluminación.
- Cuando la herramienta se sobrecalienta, la luz indicadora parpadea. Deje enfriar la herramienta antes de volver a usarla.

### Función de prevención de goteo

El motor continúa funcionando durante un breve momento incluso tras haber liberado el gatillo. Libera la presión del material de sellado y previene el goteo.

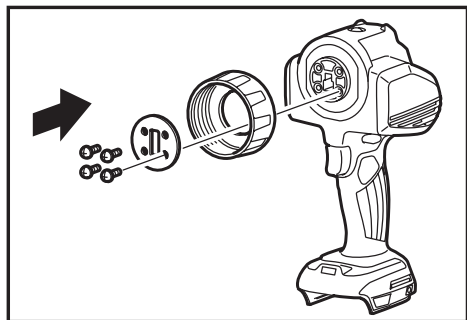
## ENSAMBLE

**⚠PRECAUCIÓN:**

- Asegúrese siempre de que la herramienta esté apagada y el cartucho de batería extraído antes de realizar cualquier trabajo en la misma.
- Coloque siempre la herramienta sobre el suelo o una banca al llevar a cabo cualquier operación de ensamble. La herramienta que no es sujeta firmemente puede que genere pérdida del equilibrio resultando en lesiones.

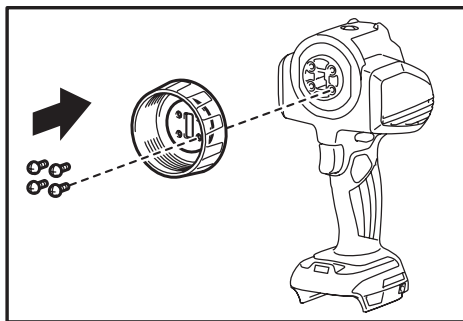
### Instalación del sujetador de junta

Para el sujetador corto (300 ml (18,3 plg. cu.)) y el sujetador largo (600 ml (36,6 plg. cu.))



Coloque el sujetador de junta firmemente a lo largo de la herramienta, ajuste la placa y fijelos con los tornillos con firmeza.

### Para el sujetador grande (800 ml (48,8 plg.cu.))



Coloque el sujetador de junta firmemente a lo largo de la herramienta y fijelo con los tornillos con firmeza.

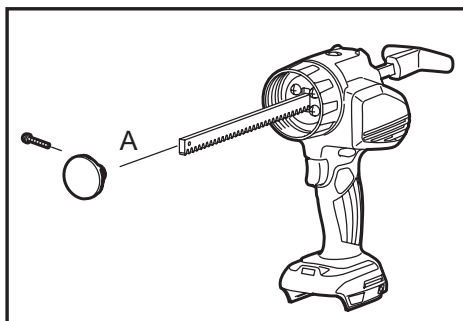
Para quitar el sujetador de junta, siga el procedimiento de colocación a la inversa.

**NOTA:**

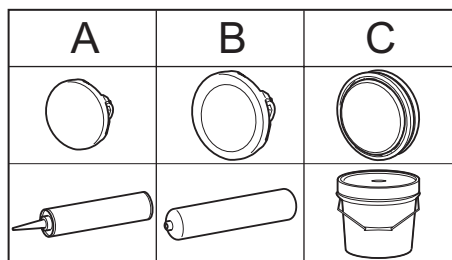
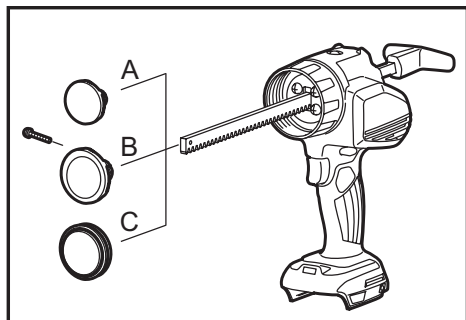
- Existen tres tipos de sujetadores (accesorio opcional), el sujetador corto (300 ml (18,3 plg. cu.)), el sujetador largo (600 ml (36,6 plg.cu.)) y el sujetador grande (800 ml (48,8 plg.cu.)). Use el sujetador de junta correspondiente.

### Instalación de la barra y pistón

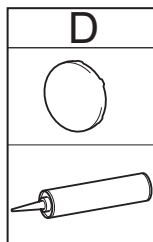
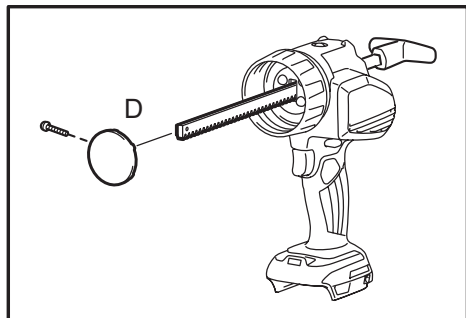
Para el sujetador corto (300 ml (18,3 plg. cu.))



## Para el sujetador largo (600 ml (36,6 plg. cu.))



## Para el sujetador grande (800 ml (48,8 plg.cu.))

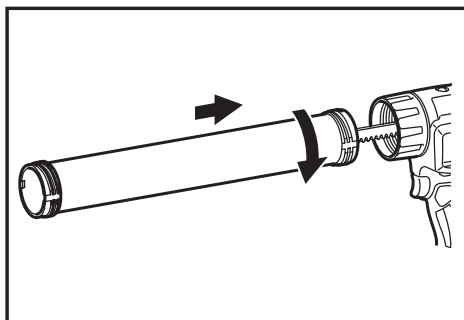


Inserte la barra en la hendidura de la herramienta. Coloque el pistón y apriételo con un tornillo. Para quitar la barra y pistón, siga el procedimiento de instalación a la inversa.

## AVISO:

- Los dientes en la barra deben quedar orientados hacia abajo.
- Existen cuatro tipos de pistones. El pistón A y el D para cartuchos. El pistón B para los tubos depresibles. El pistón C para relleno directo.
- Escoja el pistón adecuado de acuerdo al tipo de contenedor de material de sellado. Un pistón inadecuado puede que cause fugas o daños a la herramienta.
- Existen tres tipos de barras. La barra para el sujetador corto (300 ml (18,3 plg.cu.)), la barra para el sujetador largo (600 ml (36,6 plg.cu.)) y la barra para el sujetador grande (800 ml (48,8 plg.cu.)). **Use la barra adecuada según el tipo de sujetador.**
- Mantenga siempre la barra y pistón limpios. Puede que el sellador adhesivo dañe la herramienta.

## Instalación del sujetador



Sujete la parte inferior del sujetador y el sujetador de junta, y luego gire el sujetador en sentido de las agujas del reloj. Apriete con firmeza hasta que se detenga. Asegúrese que el sujetador quede firmemente apretado. De lo contrario puede que la herramienta se dañe. Para quitar el sujetador, gire en sentido contrario a las agujas del reloj.

## NOTA:

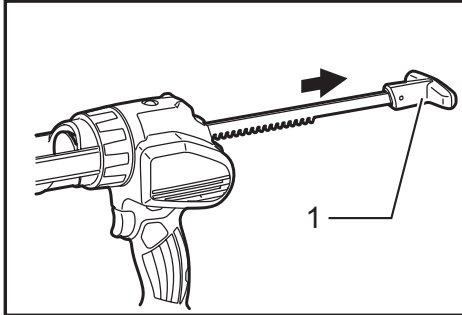
- Puede girar el sujetador de acuerdo a como lo requiera la aplicación para facilitar la operación.
- El sujetador corto (300 ml (18,3 plg.cu.)) y el sujetador grande (800 ml (48,8 plg.cu.)) están diseñados solo para los cartuchos. Use solo el pistón A con el sujetador corto (300 ml (18,3 plg.cu.)). Use solo el pistón D con el sujetador grande (800 ml (48,8 plg.cu.)). No los use con los tubos depresibles o el relleno directo. Además, use la barra adecuada según el tipo de sujetador.

## Instalación del cartucho

### AVISO:

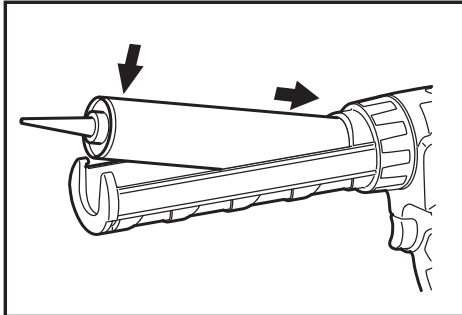
- Asegúrese que el pistón A esté colocado a la barra. No use otro tipo de pistón para usarse con cartucho.

### Instalación del cartucho en el sujetador corto (300 ml (18,3 plg.cu.))



► 1. Mango de barra

Jale el mango de la barra hacia atrás lentamente hasta que se detenga.

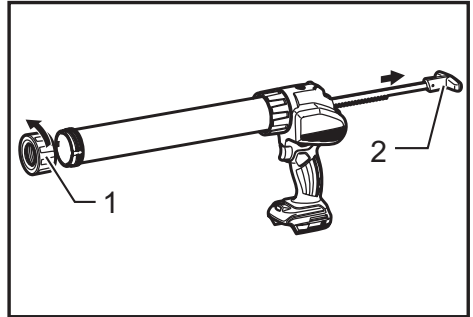


Inserte el cartucho en el sujetador como se muestra en la ilustración.

Empuje suavemente la barra hasta que el pistón toque la parte inferior del cartucho.

Para quitar el cartucho, jale la barra hacia atrás hasta que se detenga, y luego levante para sacar el cartucho.

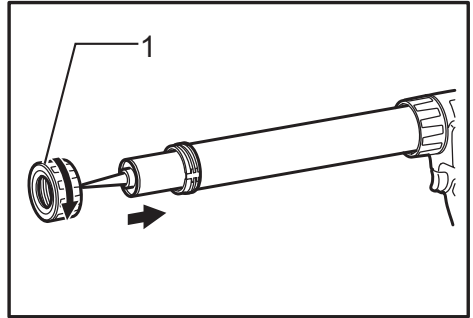
### Instalación del cartucho en el sujetador largo (600 ml (36,6 plg.cu.)) o el sujetador grande (800 ml (48,8 plg.cu.))



► 1. Tapa del sujetador 2. Mango de barra

Quite el sujetador de tapa del sujetador.

Jale el mango de la barra hacia atrás lentamente hasta que se detenga.



► 1. Tapa del sujetador

Inserte el cartucho en el sujetador.

Coloque la tapa del sujetador. Asegúrese que quede firmemente apretado.

Empuje suavemente la barra hasta que el pistón toque la parte inferior del cartucho.

Para quitar el cartucho, quite la tapa del sujetador y luego saque el cartucho.

### AVISO:

- Revise siempre el cartucho para ver si hay perforaciones o daños antes de colocarlo. No use un cartucho dañado, de lo contrario puede que la herramienta se dañe.
- Al usar un cartucho parcialmente usado, quite el material adherido al cartucho.

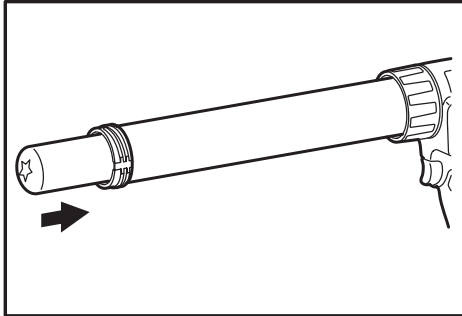
## Instalación del tubo depresible

### AVISO:

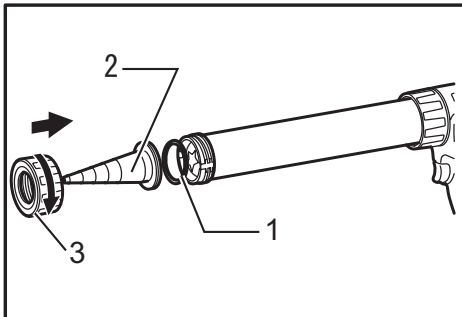
- Asegúrese que el pistón B esté colocado a la barra. No use otro tipo de pistón para usarse con tubos depresibles.
- El tubo depresible puede colocarse solamente en el sujetador largo (600 ml (36,6 plg.cu.)).

Quite la tapa del sujetador, la boquilla y el aro de hule del sujetador.

Jale el mango de la barra hacia atrás lentamente hasta que se detenga.



Corte la punta del tubo depresible.  
Inserte el tubo depresible en el sujetador.



► 1. Aro de hule 2. Boquilla 3. Tapa del sujetador

Coloque el aro de hule, la boquilla y la tapa del sujetador. Asegúrese la tapa del sujetador quede firmemente apretada.

Empuje suavemente la barra hasta que el pistón toque la parte inferior del tubo depresible.

### NOTA:

- Revise siempre el tubo depresible para ver si hay perforaciones o daños antes de colocarlo. No use un empaque dañado, de lo contrario puede que la herramienta se dañe.

## Relleno directo

### AVISO:

- Asegúrese que el pistón C esté colocado a la barra. No use otro tipo de pistón para usarse con relleno directo.
- El relleno directo puede aplicarse solamente en el sujetador largo (600 ml (36,6 plg.cu.)).

Quite la tapa del sujetador, la boquilla y el aro de hule del sujetador.

Asegúrese que el mango de la barra quede colocado en la posición más adelante.

Introduzca la boquilla del sujetador en el material de sellado.

Jale el mango de la barra lentamente hasta que la cantidad necesaria de material de sellado quede rellena en el sujetador.

Coloque el aro de hule, la boquilla y la tapa del sujetador. Asegúrese la tapa del sujetador quede firmemente apretada.

### AVISO:

- Limpie el sujetador con un disolvente adecuado tras cada día de trabajo. De lo contrario el material de sellado adherido puede que cause daños a la herramienta.

## OPERACIÓN

### ⚠PRECAUCIÓN:

- No toque la barra durante la operación. De lo contrario, puede que su dedo quede pinzado entre la barra y la carcasa de la herramienta.
- Use siempre gafas protectoras durante la operación.

### AVISO:

- No cubra las rejillas de ventilación o puede que se genere un sobrecalentamiento que dañe la herramienta.
- Si no puede sacar la barra, gire el control de ajuste de velocidad a 1, y luego jale el gatillo interruptor por un momento, e intente sacar la barra después de que se haya parado el motor. Si la barra aún está obstruida, realice la misma acción hasta que la barra pueda moverse.

Corte la punta de la boquilla apropiada para la operación en cuestión. Ponga atención a la cantidad cortada de la boquilla. El diámetro de la boquilla afecta la cantidad de material de sellado que se aplica.

Jale el gatillo para aplicar material de sellado.

La cantidad de material de sellado aplicado es controlado por el gatillo, la velocidad del control de ajuste de velocidad, el diámetro de la abertura de la boquilla, el tipo de material de sellado y la temperatura.

Se recomienda que ajuste en "1" el control de ajuste de velocidad y jale el gatillo lentamente la primera vez para probar cuánto material de sellado se aplica.

Cuando la barra alcance el extremo delantero, el motor empieza a ejecutarse en marcha pasiva. Reemplace el material de sellado cuando esto suceda.

**NOTA:** Si el material de sellado no se aplica, revise los siguientes elementos:

- Si la punta de la boquilla no está cortada apropiadamente. Si la punta de la boquilla es apropiada para la operación en cuestión.
- Si el material endurecido obstruye la boquilla. Retire el material endurecido.
- Si el cableado está dañado. Reemplácelo.
- Si el material de sellado se ha endurecido. Caliente el material hasta que se suavice.
- Si se usa el pistón inadecuado. Use un pistón adecuado.

- Juego de sujetador largo (600 ml (36,6 plg.cu.))
- Placa (solo si cuenta con un sujetador grande (800 ml (48,8 plg.cu.)), y compre el juego de sujetador corto (300 ml (18,3 plg.cu.)) o el juego de sujetador largo (600 ml (36,6 plg.cu.)), también se necesita la placa.)
- Juego de sujetador grande (800 ml (48,8 plg.cu.))
- Boquilla
- Gafas de seguridad
- Batería y cargador originales de Makita

**NOTA:**

- Algunos de los artículos en la lista puede que vengan junto con el paquete de la herramienta como accesorios incluidos. Puede que estos accesorios varíen de país a país.

## MANTENIMIENTO

### **⚠PRECAUCIÓN:**

- Asegúrese siempre de que la herramienta esté apagada y el cartucho de batería extraído antes de intentar realizar una inspección o mantenimiento excepto para las siguientes resoluciones de problemas relacionados a la luz indicadora.
- Nunca use gasolina, bencina, diluyente (tíner), alcohol o sustancias similares. Puede que esto ocasione grietas o descoloramiento.
- Limpie el sujetador y la barra con un disolvente adecuado tras cada día de trabajo. Límpielos para eliminar el material adherido. Elimine el material de sellado antes de que se endurezca. El material que quede adherido puede causar daños en la herramienta.

Para mantener la SEGURIDAD y FIABILIDAD del producto, las reparaciones, la inspección y sustitución de las escobillas de carbón, y cualquier otro mantenimiento o ajuste deberán ser realizados en Centros o Servicios de fábrica Autorizados por Makita, empleando siempre piezas de repuesto de Makita.

## ACCESORIOS OPCIONALES

### **⚠PRECAUCIÓN:**

- Estos accesorios o aditamentos (incluidos o no) están recomendados para utilizar con su herramienta Makita especificada en este manual. El empleo de cualesquiera otros accesorios o acoplamientos conllevará un riesgo de sufrir heridas personales. Utilice los accesorios o acoplamientos solamente para su fin establecido.

Si necesita cualquier ayuda para más detalles en relación con estos accesorios, pregunte a su centro de servicio Makita local.

- Pistón A
- Pistón B
- Pistón C
- Pistón D
- Juego de sujetador corto (300 ml (18,3 plg.cu.))

## GARANTÍA LIMITADA DE MAKITA

### **Ésta Garantía no aplica para México**

Consulte la hoja de la garantía anexa para ver los términos más vigentes de la garantía aplicable a este producto. En caso de no disponer de esta hoja de garantía anexa, consulte los detalles sobre la garantía descritos en el sitio web de su país respectivo indicado a continuación.

Estados Unidos de América: [www.makitatools.com](http://www.makitatools.com)

Canadá: [www.makita.ca](http://www.makita.ca)

Otros países: [www.makita.com](http://www.makita.com)

< USA only >

# WARNING

Some dust created by power sanding, sawing, grinding, drilling, and other construction activities contains chemicals known to the State of California to cause cancer, birth defects or other reproductive harm. Some examples of these chemicals are:

- lead from lead-based paints,
- crystalline silica from bricks and cement and other masonry products, and
- arsenic and chromium from chemically-treated lumber.

Your risk from these exposures varies, depending on how often you do this type of work. To reduce your exposure to these chemicals: work in a well ventilated area, and work with approved safety equipment, such as those dust masks that are specially designed to filter out microscopic particles.

< Sólo en los Estados Unidos >

# ADVERTENCIA

Algunos polvos creados por el lijado, aserrado, esmerilado, taladrado y otras actividades de la construcción contienen sustancias químicas reconocidas por el Estado de California como causantes de cáncer, defectos de nacimiento y otros peligros de reproducción. Algunos ejemplos de estos productos químicos son:

- plomo de pinturas a base de plomo,
- sílice cristalino de ladrillos y cemento y otros productos de albañilería, y
- arsénico y cromo de maderas tratadas químicamente.

El riesgo al que se expone varía, dependiendo de la frecuencia con la que realice este tipo de trabajo. Para reducir la exposición a estos productos químicos: trabaje en un área bien ventilada y póngase el equipo de seguridad indicado, tal como las máscaras contra polvo que están especialmente diseñadas para filtrar partículas microscópicas.

**Makita Corporation**

3-11-8, Sumiyoshi-cho,  
Anjo, Aichi 446-8502 Japan

[www.makita.com](http://www.makita.com)

885260C914  
DCG180-2  
EN, FRCA, ESMX  
20170627