

INSTRUCTION MANUAL
MANUEL D'INSTRUCTION
MANUAL DE INSTRUCCIONES

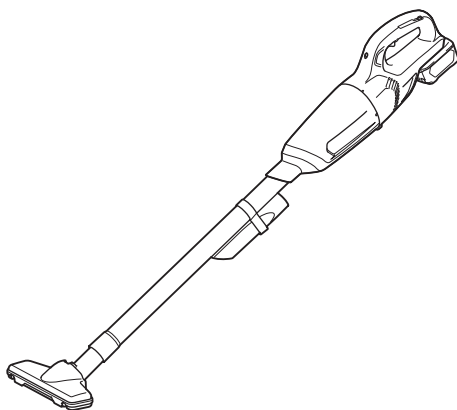


Cordless Cleaner

Aspirateur sans Fil

Aspiradora Inalámbrica

CL106FD



IMPORTANT: Read Before Using.

IMPORTANT : Lire avant usage.

IMPORTANTE: Lea antes de usar.

SPECIFICATIONS

Model:	CL106FD	
Capacity	600 mL	
Continuous use (with battery BL1016)	Approx. 16 min	
Overall length	958 mm (37-3/4")	
Rated voltage	D.C. 10.8 V - 12 V max	
Standard battery cartridge	BL1016, BL1021B	BL1041B
Net weight	1.0 kg (2.2 lbs)	1.1 kg (2.5 lbs)

- Due to our continuing program of research and development, the specifications herein are subject to change without notice.
- Specifications and battery cartridge may differ from country to country.
- Weight, with battery cartridge, according to EPTA-Procedure 01/2003

SAFETY WARNINGS

IMPORTANT SAFETY INSTRUCTIONS

When using an electrical appliance, basic precautions should always be followed, including the following:

READ ALL INSTRUCTIONS BEFORE USING THIS APPLIANCE.

WARNING

To reduce the risk of fire, electric shock or injury:

1. Do not leave appliance when battery fitted. Remove battery from appliance when not in use and before servicing.
2. Do not use on wet surfaces. Do not expose to rain. Store indoors.
3. Do not allow to be used as a toy. Close attention is necessary when used by or near children.
4. Use only as described in this manual. Use only manufacturer's recommended attachments.
5. Do not use with damaged battery. If appliance is not working as it should, has been dropped, damaged, left outdoors, or dropped into water, return it to a service center.
6. Do not handle appliance with wet hands.
7. Do not put any object into openings. Do not use with any opening blocked; keep free of dust, lint, hair, and anything that may reduce air flow.
8. Keep hair, loose clothing, fingers, and all parts of body away from openings and moving parts.
9. Turn off all controls before removing the battery cartridge.
10. Use extra care when cleaning on stairs.
11. Do not use to pick up flammable or combustible liquids, such as gasoline, or use in areas where they may be present.
12. Use only the charger supplied by the manufacturer to recharge.

13. **Do not pick up anything that is burning or smoking, such as cigarettes, matches, or hot ashes.**
 14. **Do not use without dust bag and/or filters in place.**
 15. **Do not charge the battery outdoors.**
 16. **Use power tools only with specifically designated battery packs.** Use of any other battery packs may create a risk of injury and fire.
 17. **Recharge only with the charger specified by the manufacturer.** A charger that is suitable for one type of battery pack may create a risk of fire when used with another battery pack.
 18. **When battery pack is not in use, keep it away from other metal objects, like paper clips, coins, keys, nails, screws or other small metal objects, that can make a connection from one terminal to another.** Shorting the battery terminals together may cause burns or a fire.
 19. **Under abusive conditions, liquid may be ejected from the battery; avoid contact. If contact accidentally occurs, flush with water. If liquid contacts eyes, additionally seek medical help.** Liquid ejected from the battery may cause irritation or burns.
- **Flammable materials such as gasoline, thinner, benzine, kerosene or paint**
 - **Explosive materials like nitroglycerin**
 - **Ignitable materials such as Aluminum, zinc, magnesium, titanium, phosphorus or celluloid**
 - **Wet dirt, water, oil or the like**
 - **Hard pieces with sharp edges, such as wood chips, metals, stones, glasses, nails, pins or razors**
 - **Powder to clot such as cement or toner**
 - **Conductive dust such as metal or carbon**
 - **Fine particle like concrete dust**
Such action may cause fire, injury and/or property damage.
3. **Stop operation immediately if you notice anything abnormal.**
 4. **If you drop or strike the cleaner, check it carefully for cracks or damage before operation.**
 5. **Do not bring close to stoves or other heat sources.**
 6. **Do not block the intake hole or vent holes.**

SAVE THESE INSTRUCTIONS.

ADDITIONAL SAFETY RULES


This appliance is intended for household use.

1. **Read this instruction manual and the charger instruction manual carefully before use.**
2. **Do not pick up the following materials:**
 - **Hot materials such as lit cigarettes or spark/metal dust generated by grinding/cutting metal**

SAVE THESE INSTRUCTIONS.

Symbols

The followings show the symbols used for tool.

v	volts
	direct current

Important safety instructions for battery cartridge

1. **Before using battery cartridge, read all instructions and cautionary markings on (1) battery charger, (2) battery, and (3) product using battery.**
2. **Do not disassemble battery cartridge.**
3. **If operating time has become excessively shorter, stop operating immediately. It may result in a risk of overheating, possible burns and even an explosion.**
4. **If electrolyte gets into your eyes, rinse them out with clear water and seek medical attention right away. It may result in loss of your eyesight.**
5. **Do not short the battery cartridge:**
 - (1) **Do not touch the terminals with any conductive material.**
 - (2) **Avoid storing battery cartridge in a container with other metal objects such as nails, coins, etc.**
 - (3) **Do not expose battery cartridge to water or rain.**

A battery short can cause a large current flow, overheating, possible burns and even a breakdown.
6. **Do not store the tool and battery cartridge in locations where the temperature may reach or exceed 50 °C (122 °F).**
7. **Do not incinerate the battery cartridge even if it is severely damaged or is completely worn out. The battery cartridge can explode in a fire.**
8. **Be careful not to drop or strike battery.**
9. **Do not use a damaged battery.**

10. **The contained lithium-ion batteries are subject to the Dangerous Goods Legislation requirements.**

For commercial transports e.g. by third parties, forwarding agents, special requirement on packaging and labeling must be observed.

For preparation of the item being shipped, consulting an expert for hazardous material is required. Please also observe possibly more detailed national regulations.

Tape or mask off open contacts and pack up the battery in such a manner that it cannot move around in the packaging.
11. **Follow your local regulations relating to disposal of battery.**

SAVE THESE INSTRUCTIONS.

⚠ CAUTION: Only use genuine Makita batteries. Use of non-genuine Makita batteries, or batteries that have been altered, may result in the battery bursting causing fires, personal injury and damage. It will also void the Makita warranty for the Makita tool and charger.

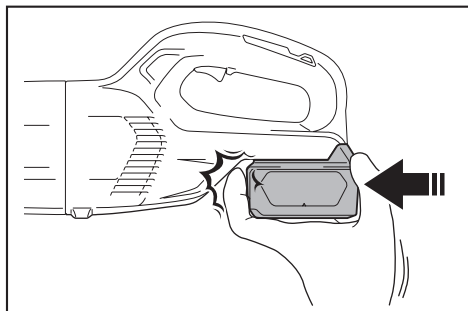
Tips for maintaining maximum battery life

1. **Charge the battery cartridge before completely discharged. Always stop tool operation and charge the battery cartridge when you notice less tool power.**
2. **Never recharge a fully charged battery cartridge. Overcharging shortens the battery service life.**
3. **Charge the battery cartridge with room temperature at 10 °C - 40 °C (50 °F - 104 °F). Let a hot battery cartridge cool down before charging it.**

FUNCTIONAL DESCRIPTION

CAUTION: Always be sure that the tool is switched off and the battery cartridge is removed before adjusting or checking function on the tool.

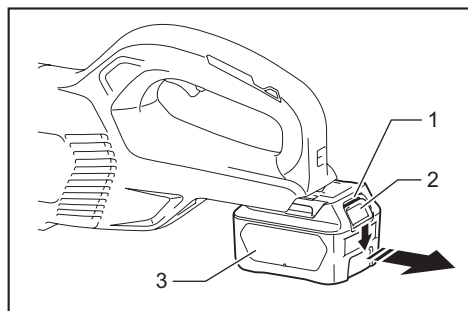
CAUTION: Take care not to trap finger(s) between cleaner and battery as shown in diagram when loading battery. Trapping finger(s) may cause injury.



Installing or removing battery cartridge

CAUTION: Always switch off the tool before installing or removing of the battery cartridge.

CAUTION: Hold the tool and the battery cartridge firmly when installing or removing battery cartridge. Failure to hold the tool and the battery cartridge firmly may cause them to slip off your hands and result in damage to the tool and battery cartridge and a personal injury.



► 1. Red indicator 2. Button 3. Battery cartridge

To remove the battery cartridge, slide it from the tool while sliding the button on the front of the cartridge.

To install the battery cartridge, align the tongue on the battery cartridge with the groove in the housing and slip it into place. Insert it all the way until it locks in place with a little click. If you can see the red indicator on the upper side of the button, it is not locked completely.

CAUTION: Always install the battery cartridge fully until the red indicator cannot be seen. If not, it may accidentally fall out of the tool, causing injury to you or someone around you.

CAUTION: Do not install the battery cartridge forcibly. If the cartridge does not slide in easily, it is not being inserted correctly.

Battery protection system

The tool is equipped with a battery protection system. This system automatically cuts off power to the motor to extend battery life.

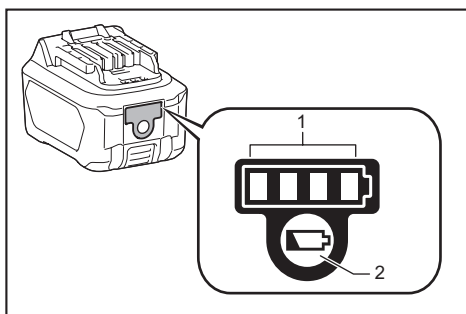
The tool will automatically stop during operation if the tool and/or battery are placed under the following condition:

Low battery voltage:

The remaining battery capacity is too low and the tool will not operate. If you turn the tool on, the motor runs again but stops soon. In this situation, remove and recharge the battery.

Indicating the remaining battery capacity

Only for battery cartridges with the indicator



► 1. Indicator lamps 2. Check button

Press the check button on the battery cartridge to indicate the remaining battery capacity. The indicator lamps light up for a few seconds.

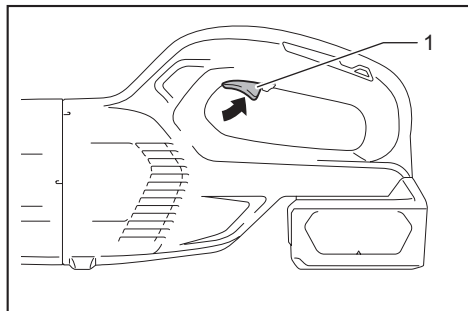
Indicator lamps		Remaining capacity
Lighted	Off	
■ ■ ■ ■	□	75% to 100%
■ ■ ■ □	□	50% to 75%
■ ■ □ □	□ □	25% to 50%
■ □ □ □	□ □ □ □	0% to 25%

NOTE: Depending on the conditions of use and the ambient temperature, the indication may differ slightly from the actual capacity.

Switch action

CAUTION: Before installing the battery cartridge into the tool, always check to see that the switch trigger actuates properly and returns to the "OFF" position when released.

To start the tool, simply pull the switch trigger. Release the switch trigger to stop.

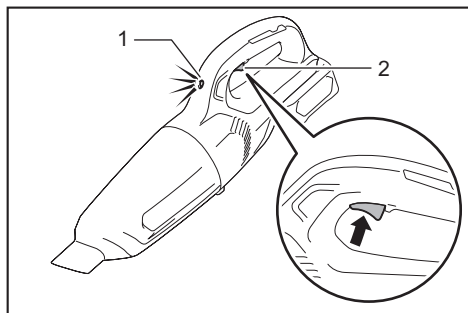


► 1. Switch trigger

Lighting up the lamp

CAUTION: Do not look in the light or see the source of light directly.

To turn on the lamp, pull the switch trigger. During the tool actuating, the lamp turns on. Release the switch to turn off the lamp.



► 1. Lamp 2. Switch trigger

ASSEMBLY

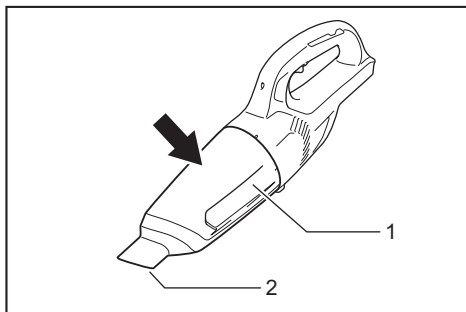
CAUTION: Always be sure that the tool is switched off and the battery cartridge is removed before carrying out any work on the tool.

Disposing of dust

CAUTION: Empty the cleaner before it becomes too full, or the suction force weakens.

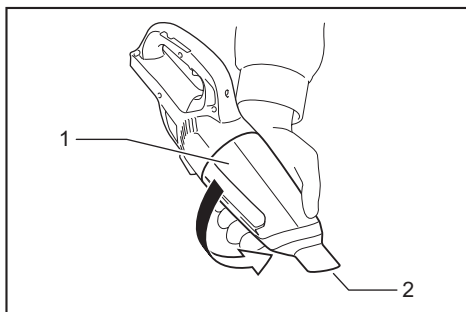
CAUTION: Be sure to empty the inside of the cleaner itself of dust. Failure to do so may cause the filter to be clogged or the motor to be damaged.

In order to drop dust sticking on the filter in the capsule, tap the capsule 4 or 5 times with your hand.



► 1. Capsule 2. Suction inlet

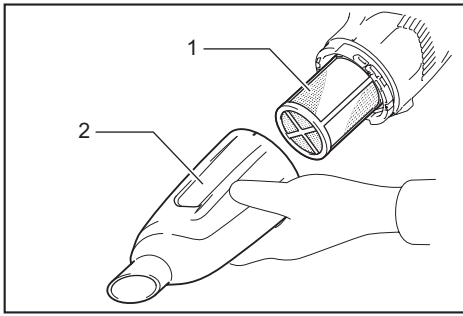
Point the suction inlet downwards, turn the capsule in direction of the arrow as illustrated, and disconnect the capsule slowly and straight.



► 1. Capsule 2. Suction inlet

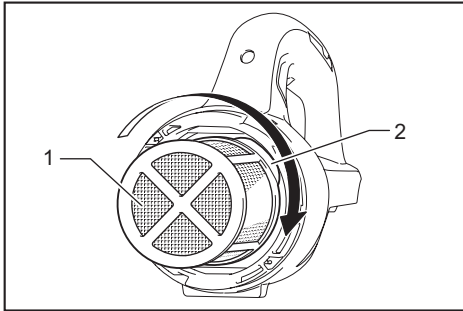
NOTE: Be sure to set a garbage bag beneath the capsule, as dust may spill out when the capsule is opened.

Remove accumulated dust from inside of the capsule and off of the prefilter.



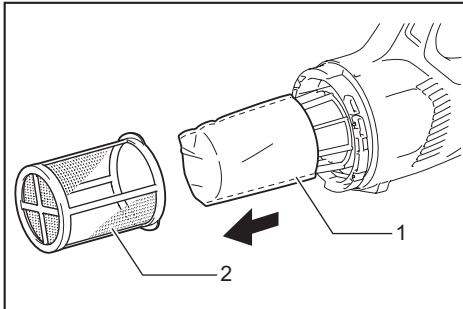
► 1. Prefilter 2. Capsule

Twist the prefilter in direction of the arrow to unfasten the securing lip from the cleaner unit and then pull off the prefilter.



► 1. Prefilter 2. Securing lip

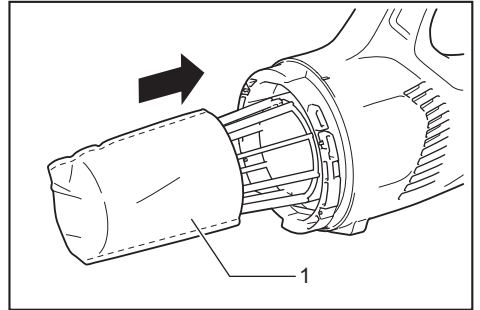
Clean out fine dust from the prefilter. And then, pull off the filter and lightly tap it to remove dust.



► 1. Filter 2. Prefilter

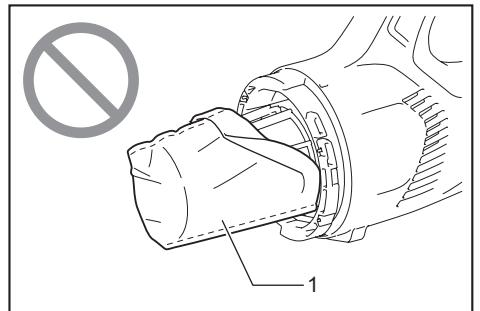
Reassembly

Put on the filter fully in position on the cleaner unit.



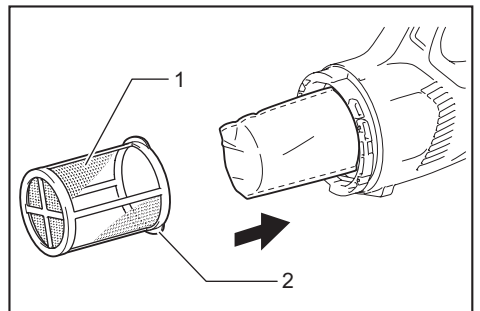
► 1. Filter

NOTICE: Make sure the filter is put on straight without being peeled back. If the filter is put on incorrectly as illustrated, dust will get into the motor housing, and cause a motor failure.

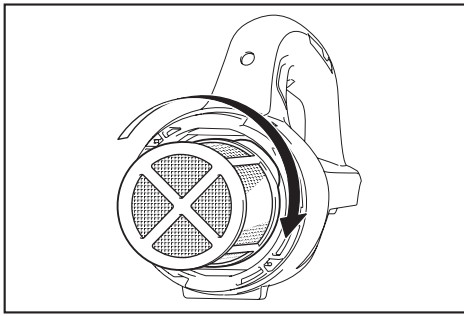


► 1. Filter

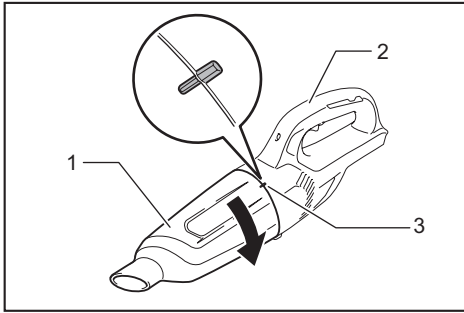
Install the prefilter. At this time, make sure to twist the prefilter so that the securing lip is firmly locked in the cleaner unit.



► 1. Prefilter 2. Securing lip



Install the capsule. Align the mark on the capsule with the mark near the handle and then firmly twist the capsule in direction of the arrow until it is secured.



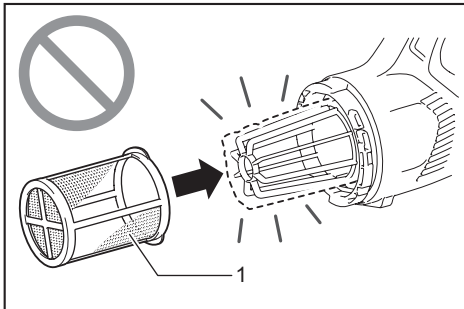
► 1. Capsule 2. Handle 3. Mark

NOTE: Always remove dust ahead of time, as the suction power will be reduced if there is too much dust in the cleaner.

NOTICE: Always be sure to check that both the filter and prefilter are loaded correctly prior to using the cleaner. If they are not loaded correctly, dust will get into the motor housing, and cause a motor failure. If the following examples occur, the filter and prefilter are not loaded correctly. Reload them correctly to rectify problem.

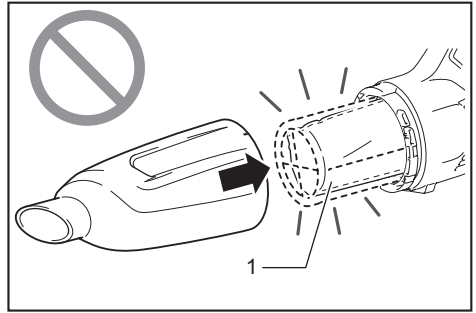
Problem Examples

Example 1: Only the prefilter has been loaded (no filter)



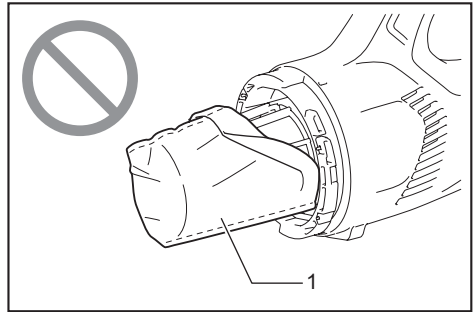
► 1. Prefilter

Example 2: Only the filter has been loaded (no prefilter)



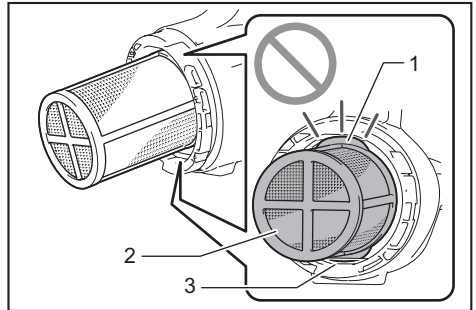
► 1. Filter

Example 3: The filter has been loaded in a peeled back state



► 1. Filter

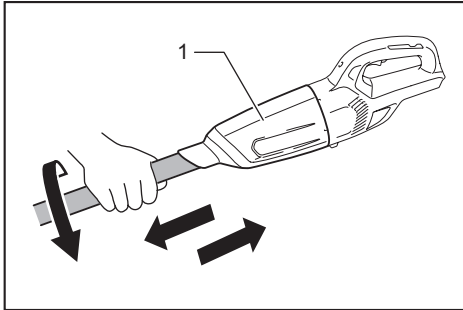
Example 4: The securing lip on the prefilter is not firmly locked in the groove of cleaner housing



► 1. Securing lip 2. Prefilter 3. Groove of cleaner housing

OPERATION

CAUTION: To connect attachments, such as nozzle, twist and insert the attachment in direction of the arrow to secure the connection during use. To disconnect the attachments, twist and extract it also in direction of the arrow. If an attachment is twisted in the opposite direction when being connected or disconnected, the capsule may become loose.

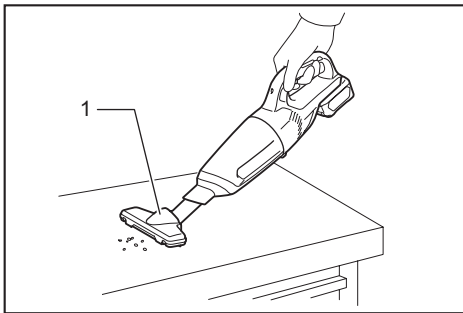


► 1. Capsule

Cleaning (Suction)

Nozzle

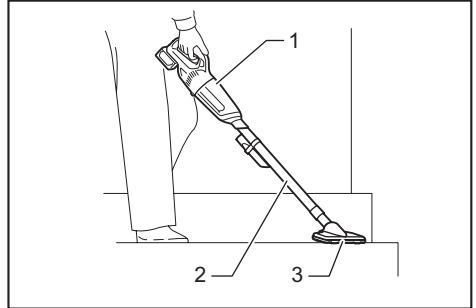
Attach the nozzle to clean off tables, desks, furniture, etc. The nozzle slips on easily.



► 1. Nozzle

Nozzle + Extension wand (Straight pipe)

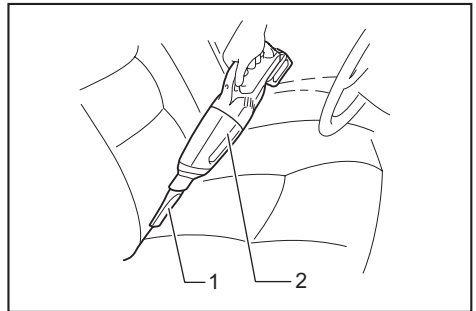
The extension wand fits in between the nozzle and the cleaner itself. This arrangement is convenient for cleaning a floor in a standing position.



► 1. Cleaner body 2. Extension wand 3. Nozzle

Corner nozzle

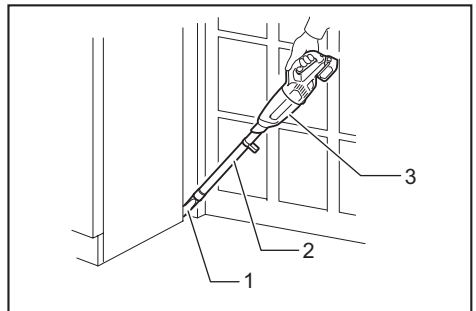
Fit on the corner nozzle for cleaning corners and crevices of a car or furniture.



► 1. Corner nozzle 2. Cleaner body

Corner nozzle + Extension wand (Straight pipe)

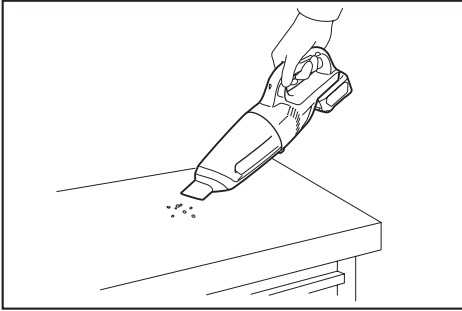
In tight quarters where the cleaner itself cannot squeeze in, or in high places hard to reach, use this arrangement.



► 1. Corner nozzle 2. Extension wand 3. Cleaner body

Cleaning without nozzle

You can pick up powder and dust without nozzle.

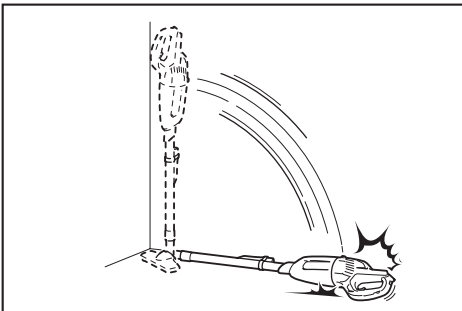


MAINTENANCE

CAUTION: Always be sure that the tool is switched off and the battery cartridge is removed before attempting to perform inspection or maintenance.

After use

NOTICE: Putting the cleaner against the wall without any other support cause the cleaner to fall down and be damaged.



Cleaning

NOTICE: Never use gasoline, benzine, thinner, alcohol or the like. Discoloration, deformation or cracks may result.

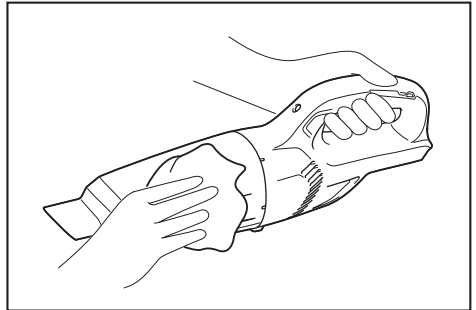
NOTICE: Do not blow dust sticking on the cleaner and filters by air duster. It brings dust into the housing and causes failure.

NOTICE: After washing filters, dry them thoroughly before use. Insufficiently dried filters may cause poor suction and shorten the service life of the motor.

NOTICE: After cleaning filters and sponge filter, be sure to re-install them before use. If you use the cleaner without filters and sponge filter, dust comes into the motor housing and cause malfunction.

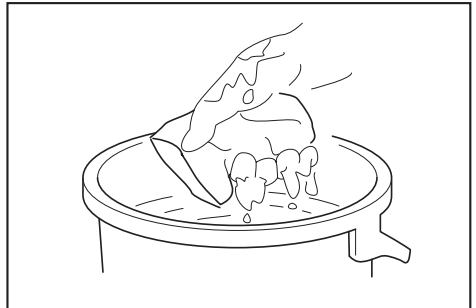
Cleaner body

From time to time wipe off the outside (cleaner body) of the cleaner using a cloth dampened in soapy water. Clean out also the suction opening and filter mounting area.



Filter

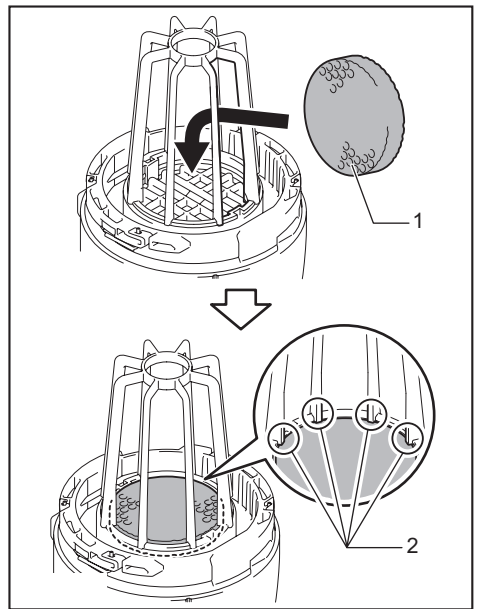
Wash the filter in soapy water when it is clogged with dust and the cleaner power becomes weak. Dry it out thoroughly before use.



Sponge filter

When the sponge filter becomes dirty, clean it as follows.

1. Remove the filter.
2. Pull out the sponge filter from between the pillars.
3. Clean the sponge filter by tapping or washing. If you wash it, dry it out thoroughly before use.
4. Insert the sponge filter from between the pillars and set it in the original position. Make sure that each bottom edge of the pillar holds down the sponge filter, and there is no gap between the sponge filter and suction opening.



► 1. Sponge filter 2. Bottom edge of pillar

Troubleshooting

Before asking for repairs, check the following points.

Symptom	Area to be investigated	Fixing method
Weak suction power	Is the capsule full of dust?	Empty the capsule of dust.
	Is the filter clogged?	Clean or wash the filter.
	Is the battery cartridge exhausted ?	Charge the battery cartridge.
Not working	Is the battery cartridge exhausted ?	Charge the battery cartridge.

⚠ CAUTION: Do not attempt to repair the cleaner by yourself.

To maintain product SAFETY and RELIABILITY, repairs, any other maintenance or adjustment should be performed by Makita Authorized or Factory Service Centers, always using Makita replacement parts.

OPTIONAL ACCESSORIES

⚠ CAUTION: These accessories or attachments are recommended for use with your Makita tool specified in this manual. The use of any other accessories or attachments might present a risk of injury to persons. Only use accessory or attachment for its stated purpose.

- Corner nozzle
- Round brush
- Flexible hose
- Filter
- Prefilter
- Makita genuine battery and charger

NOTE: Some items in the list may be included in the tool package as standard accessories. They may differ from country to country.

If you need any assistance for more details regarding these accessories, ask your local Makita Service Center.

- Extension wand (Straight pipe)
- Nozzle
- Nozzle for carpet
- Shelf brush

MAKITA LIMITED WARRANTY

Please refer to the annexed warranty sheet for the most current warranty terms applicable to this product. If annexed warranty sheet is not available, refer to the warranty details set forth at below website for your respective country.

United States of America: www.makitatools.com

Canada: www.makita.ca

Other countries: www.makita.com

SPÉCIFICATIONS

Modèle :	CL106FD	
Capacité	600 ml	
Utilisation continue (avec batterie BL1016)	Approx. 16 min.	
Longueur totale	958 mm (37-3/4")	
Tension nominale	C.C. 10,8 V - 12 V max.	
Batterie standard	BL1016, BL1021B	BL1041B
Poids net	1,0 kg (2,2 lbs)	1,1 kg (2,5 lbs)

- Étant donné l'évolution constante de notre programme de recherche et développement, les spécifications contenues dans ce manuel sont sujettes à modification sans préavis.
- Les spécifications et la batterie peuvent varier suivant les pays.
- Poids, batterie comprise, conforme à la procédure EPTA 01/2003

CONSIGNES DE SÉCURITÉ

IMPORTANTES CONSIGNES DE SÉCURITÉ

Lors de l'utilisation d'un appareil électrique, vous devez toujours prendre des précautions de base, dont les suivantes :

CONSERVEZ CES INSTRUCTIONS.

MISE EN GARDE

Pour réduire les risques d'incendie, de décharge électrique et de blessure :

1. Ne quittez pas l'appareil alors que la batterie y est insérée. Retirez la batterie de l'appareil lorsqu'il n'est pas utilisé et avant de le faire réparer.
2. Ne l'utilisez pas sur des surfaces mouillées. Ne l'exposez pas à la pluie. Rangez-le à l'intérieur.
3. Ne laissez pas les enfants l'utiliser comme jouet. Une attention particulière est nécessaire lors de l'utilisation par les enfants ou près d'eux.
4. Utilisez l'outil uniquement de la façon décrite dans ce manuel. Utilisez uniquement les accessoires recommandés par le fabricant.
5. Ne l'utilisez pas avec une batterie endommagée. Si l'appareil ne fonctionne pas bien, s'il a été échappé, endommagé, laissé à l'extérieur ou échappé dans l'eau, retournez-le à un centre de service après-vente.
6. Ne manipulez pas l'appareil avec les mains mouillées.
7. Ne mettez rien dans les ouvertures. N'utilisez jamais l'outil si une des ouvertures est bouchée ; gardez ces dernières exemptes de poussières, charpies, cheveux ou tout objet pouvant réduire la circulation de l'air.
8. Gardez les cheveux, les vêtements amples, les doigts et toute autre partie du corps à l'écart des ouvertures et des pièces en mouvement.
9. Mettez toutes les commandes hors tension avant de retirer la batterie.
10. Soyez tout particulièrement prudent lorsque vous nettoyez sur les marches d'un escalier.

11. **Ne l'utilisez pas pour aspirer des liquides inflammables ou combustibles tels que l'essence, ou dans des zones où de tels liquides peuvent être présents.**
12. **Utilisez uniquement le chargeur fourni par le fabricant pour recharger la batterie.**
13. **N'aspirez pas d'objets qui brûlent ou dégagent de la fumée, tels que des cigarettes, des allumettes ou des cendres encore chaudes.**
14. **Ne l'utilisez pas sans avoir mis en place le sac à poussière et/ou les filtres.**
15. **Ne chargez pas la batterie à l'extérieur.**
16. **Utilisez les outils électriques uniquement avec les batteries spécifiquement désignées.**L'utilisation de toute autre batterie peut entraîner un risque de blessure et d'incendie.
17. **Ne rechargez la batterie qu'avec le chargeur spécifié par le fabricant.** Un chargeur adéquat pour un type donné de batterie peut entraîner un risque d'incendie lorsque utilisé avec un autre type de batterie.
18. **Lorsque la batterie n'est pas utilisée, gardez-la à l'écart des autres objets métalliques tels que trombones, pièces de monnaie, clés, clous, vis et autres petits objets métalliques qui peuvent établir une connexion entre deux bornes.**Le court-circuitage des bornes de batterie peut causer des brûlures ou un incendie.
19. **Dans des conditions d'utilisation abusives, du liquide peut être éjecté de la batterie; évitez tout contact. En cas de contact accidentel, rincez à l'eau. Si le liquide entre en contact avec les yeux, consultez aussi un médecin.** Le liquide éjecté de la batterie peut causer de l'irritation ou des brûlures.

CONSERVEZ CES INSTRUCTIONS.

RÈGLES DE SÉCURITÉ SUPPLÉMENTAIRES

Cet appareil est conçu pour un usage domestique.

1. **Lisez attentivement ce mode d'emploi et le mode d'emploi du chargeur avant d'utiliser l'appareil.**
2. **N'utilisez pas l'appareil pour aspirer les matières suivantes :**
 - **Des matières chaudes comme les cigarettes allumées ou la poussière d'étincelles/de métal provoquée par le meulage/la coupe de métal**
 - **Des matières inflammables comme l'essence, le solvant, la benzine, le kérosène ou la peinture**
 - **Des matières explosives comme la nitroglycérine**
 - **Des matières inflammables comme l'aluminium, le zinc, le magnésium, le titane, le phosphore ou le cellulose**
 - **Des saletés humides, de l'eau, de l'huile, etc.**
 - **Des objets durs ayant des bords coupants comme les copeaux de bois, des pièces de métal, des pierres, du verre, des clous, des broches ou des lames de rasoir**
 - **Des poudres qui durcissent comme le ciment ou l'encre en poudre**
 - **Les poussières conductrices comme celles de métal ou de carbone**
 - **Les particules fines comme la poussière de béton**

Ces applications peuvent causer un incendie, une blessure et/ou des dommages matériels.
3. **Arrêtez immédiatement votre outil dès que vous observez quelque chose d'anormal.**

4. Si vous échappez ou heurtez l'aspirateur, vérifiez soigneusement l'absence de fissures ou dommages avant de l'utiliser à nouveau.
5. Ne l'approchez pas du four ni de toute autre source de chaleur.
6. N'obstruez pas le trou d'admission ou les trous d'évent.

CONSERVEZ CES INSTRUCTIONS.

Symboles

Les symboles utilisés pour l'outil sont indiqués ci-dessous.

v	volts
≡	courant continu

Consignes de sécurité importantes pour la batterie

1. Avant d'utiliser la batterie, lisez toutes les instructions et les mises en garde apposées sur (1) le chargeur de batterie, (2) la batterie et (3) le produit utilisant la batterie.
2. Ne démontez pas la batterie.
3. Cessez immédiatement l'utilisation si le temps de fonctionnement devient excessivement court. Il y a risque de surchauffe, de brûlures, voire d'explosion.
4. Si l'électrolyte pénètre dans vos yeux, rincez-les à l'eau claire et consultez immédiatement un médecin. Il y a risque de perte de la vue.
5. Ne court-circuitez pas la batterie :
 - (1) Ne touchez les bornes avec aucun matériau conducteur.
 - (2) Évitez de ranger la batterie dans un conteneur avec d'autres objets métalliques tels que clous, pièces de monnaie, etc.
 - (3) Évitez d'exposer la batterie à l'eau ou à la pluie.

Un court-circuit de la batterie pourrait provoquer un fort courant, une surchauffe, parfois des brûlures et même une panne.
6. Ne rangez pas l'outil ou la batterie dans des emplacements où la température peut atteindre ou dépasser 50 °C (122 °F).
7. Ne jetez pas la batterie au feu même si elle est sérieusement endommagée ou complètement épuisée. La batterie peut exploser au contact du feu.
8. Prenez garde d'échapper ou de heurter la batterie.
9. N'utilisez pas une batterie si elle est endommagée.
10. Les batteries lithium-ion fournies sont soumises aux exigences de la législation sur les marchandises dangereuses. Des exigences particulières sur l'emballage et l'étiquetage doivent être respectées lors du transport commercial par des tiers, des transitaires, etc. Pour préparer la marchandise à expédier, consultez un expert en matériaux dangereux si nécessaire. Respectez aussi les éventuelles réglementations nationales plus détaillées. Recouvrez de ruban isolant les contacts exposés, et emballez la batterie de sorte qu'elle ne puisse pas se déplacer à l'intérieur de l'emballage.
11. Suivez la réglementation locale concernant l'élimination de la batterie.

CONSERVEZ CE MODE D'EMPLOI.

ATTENTION : Utilisez exclusivement les batteries fabriquées par Makita. Les batteries autres que celles fabriquées par Makita ou les batteries modifiées peuvent exploser et causer un incendie, une blessure ou des dommages. Cela annule aussi la garantie Makita de l'outil et du chargeur Makita.

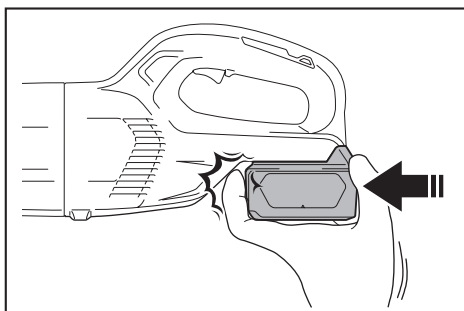
Conseils pour maintenir la durée de service maximale de la batterie

1. Rechargez la batterie avant qu'elle ne soit complètement déchargée. Arrêtez toujours l'outil et rechargez la batterie quand vous remarquez que la puissance de l'outil diminue.
2. Ne rechargez jamais une batterie complètement chargée. La surcharge réduit la durée de service de la batterie.
3. Chargez la batterie à une température ambiante comprise entre 10 °C et 40 °C (50 °F et 104 °F). Si la batterie est chaude, laissez-la refroidir avant de la charger.

DESCRIPTION DU FONCTIONNEMENT

ATTENTION : Assurez-vous toujours que l'outil est éteint et que sa batterie est retirée avant de l'ajuster ou de vérifier son fonctionnement.

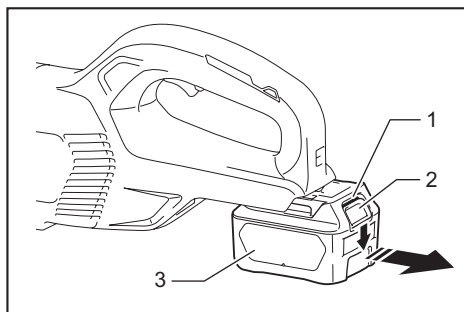
ATTENTION : Veillez à ne pas vous coincer les doigts entre l'aspirateur et la batterie lorsque vous chargez cette dernière, comme indiqué sur le schéma. Vous pourriez vous blesser en vous coincant les doigts.



Installation ou retrait de la batterie

ATTENTION : Éteignez toujours l'outil avant d'installer ou de retirer la batterie.

ATTENTION : Tenez fermement l'outil et la batterie lors de l'installation ou du retrait de cette dernière. Si l'outil et la batterie ne sont pas tenus fermement, ils risquent de vous glisser des mains et de subir des dommages, ou encore de vous blesser.



► 1. Voyant rouge 2. Bouton 3. Batterie

Pour retirer la batterie, faites-la glisser hors de l'outil tout en glissant le bouton qui se trouve à l'avant.

Pour installer la batterie, alignez sa languette sur la rainure pratiquée dans le boîtier, et glissez la batterie en place. Insérez-la à fond jusqu'à ce que vous entendiez un léger déclic. Si vous pouvez voir le voyant rouge sur le dessus du bouton, la batterie n'est pas complètement verrouillée.

⚠ ATTENTION : Installez toujours la batterie à fond jusqu'à ce que vous ne puissiez plus voir le voyant rouge. Autrement elle risque de tomber accidentellement de l'outil et d'entraîner des blessures.

⚠ ATTENTION : Ne forcez pas sur la batterie pour l'installer. Si la batterie ne glisse pas facilement, c'est qu'elle n'est pas insérée correctement.

Dispositif de protection de la batterie

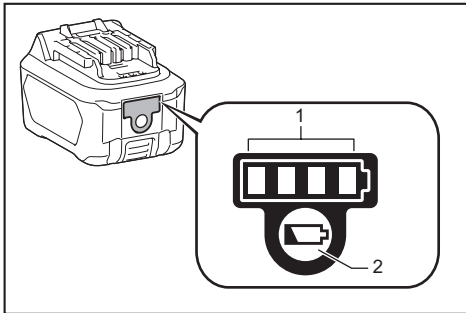
L'outil est équipé d'un système de protection de la batterie. Ce système coupe automatiquement l'alimentation du moteur pour augmenter la durée de vie de la batterie. L'outil s'arrête automatiquement pendant l'utilisation lorsque l'outil et/ou la batterie est dans la situation suivante :

Tension de la batterie faible :

La capacité restante de la batterie est trop faible pour que l'outil puisse fonctionner. Si vous allumez l'outil, le moteur tourne de nouveau mais s'arrête aussitôt. Dans cette situation, retirez et rechargez la batterie.

Affichage de la charge restante de la batterie

Uniquement pour les batteries avec voyant



► 1. Témoins indicateurs 2. Bouton de vérification

Appuyez sur le bouton de vérification de la batterie pour afficher la charge restante de la batterie. Les témoins indicateurs s'allument pendant quelques secondes.

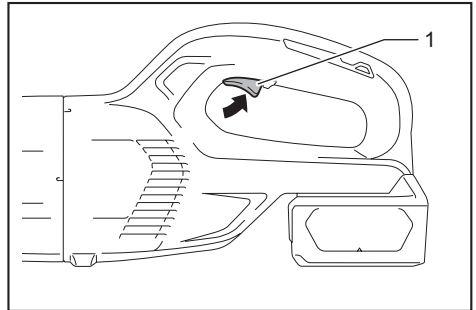
Témoins indicateurs		Capacité restante
Allumé	Éteint	
■ ■ ■ ■	□	75 % à 100 %
■ ■ ■ □	□	50 % à 75 %
■ ■ □ □	□ □	25 % à 50 %
■ □ □ □	□ □ □ □	0 % à 25 %

NOTE : Suivant les conditions d'utilisation et la température ambiante, il se peut que l'indication soit légèrement différente de la charge réelle.

Interrupteur

⚠ ATTENTION : Avant d'insérer la batterie dans l'outil, vérifiez toujours que la gâchette fonctionne bien et revient en position d'arrêt lorsque libérée.

Pour faire démarrer l'outil, appuyez simplement sur la gâchette. Pour l'arrêter, relâchez la gâchette.

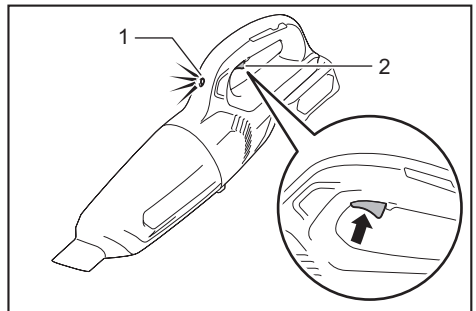


► 1. Gâchette

Allumer la lampe

⚠ ATTENTION : Évitez de regarder directement le faisceau lumineux ou sa source.

Pour allumer la lampe, appuyez sur la gâchette. La lampe s'allume pendant l'activation de l'outil. Libérez l'interrupteur pour éteindre la lampe.



► 1. Lampe 2. Gâchette

ASSEMBLAGE

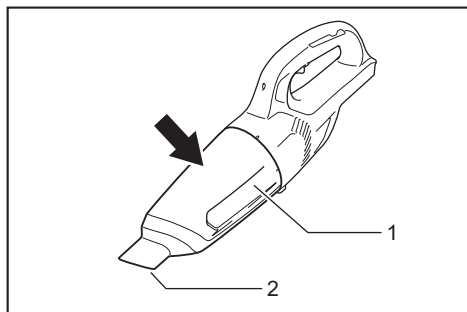
⚠ ATTENTION : Assurez-vous toujours que l'outil est éteint et que sa batterie est retirée avant d'effectuer tout travail dessus.

Élimination de la poussière

⚠ ATTENTION : Videz l'aspirateur avant qu'il ne soit plein pour éviter une réduction de la puissance de succion.

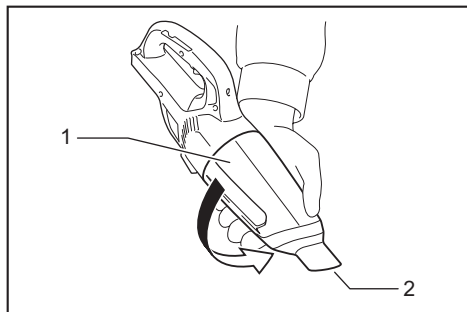
⚠ ATTENTION : Veillez à ôter la poussière à l'intérieur de l'aspirateur lui-même. Dans le cas contraire, le filtre pourrait s'obstruer ou le moteur être endommagé.

Pour ôter la poussière collée au filtre dans le bac à poussière, tapotez ce dernier 4 ou 5 fois.



► 1. Bac à poussière 2. Entrée d'aspiration

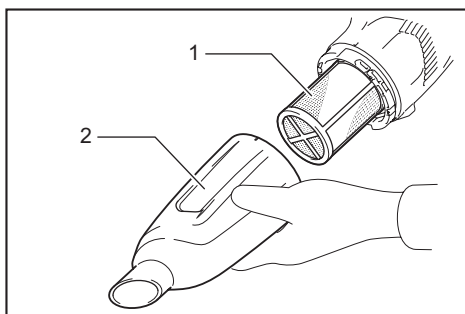
Orientez l'entrée d'aspiration vers le bas, puis tournez le bac à poussière dans le sens de la flèche tel qu'illustré et déconnectez-le en tirant lentement et bien droit.



► 1. Bac à poussière 2. Entrée d'aspiration

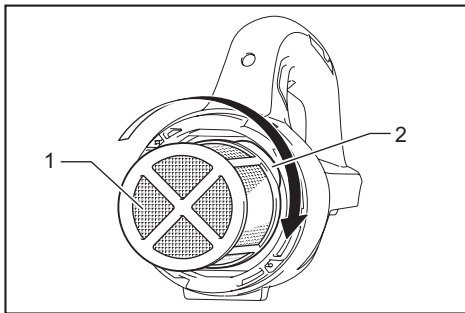
NOTE : Veillez à mettre un sac à ordures sous le bac à poussière, car la poussière peut se répandre lors de l'ouverture du bac à poussière.

Retirez la poussière accumulée à l'intérieur du bac à poussière et autour du préfiltre.



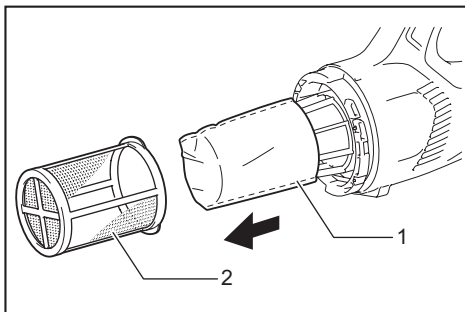
► 1. Préfiltre 2. Bac à poussière

Faites pivoter le préfiltre dans le sens de la flèche pour désolidariser le rebord de fixation de l'aspirateur, puis retirez le préfiltre.



► 1. Préfiltre 2. Rebord de fixation

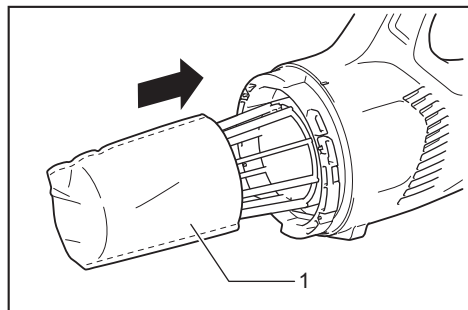
Débarrassez le préfiltre des fines poussières. Retirez ensuite le filtre et tapotez-le légèrement pour enlever la poussière.



► 1. Filtre 2. Préfiltre

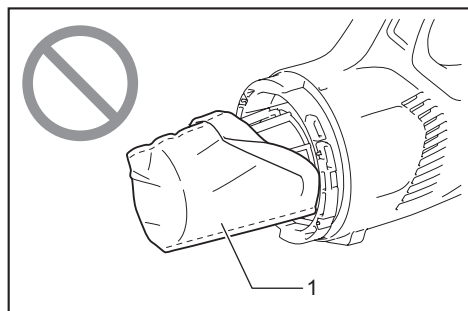
Remontage

Mettez le filtre bien en place sur l'aspirateur.



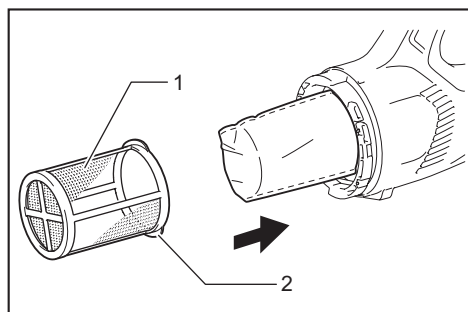
► 1. Filtre

AVIS : Assurez-vous que le filtre est inséré bien droit et n'est pas détaché. Si le filtre est mal inséré, tel qu'illustré, la poussière pénétrera dans le logement du moteur et entraînera une panne de moteur.

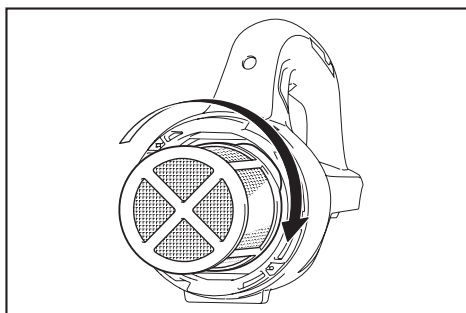


► 1. Filtre

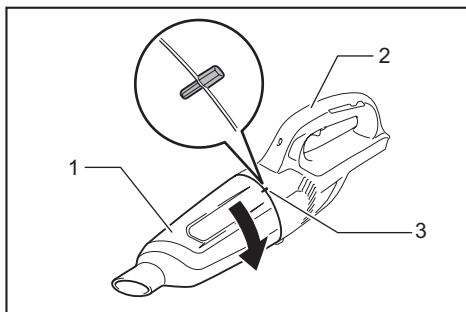
Installez le préfiltre. Veillez alors à faire pivoter le préfiltre afin que le rebord de fixation soit fermement verrouillé dans l'aspirateur.



► 1. Préfiltre 2. Rebord de fixation



Installez le bac à poussière. Alignez la marque du bac à poussière sur la marque près de la poignée, puis faites pivoter fermement le bac à poussière dans le sens de la flèche jusqu'à ce qu'il se verrouille.



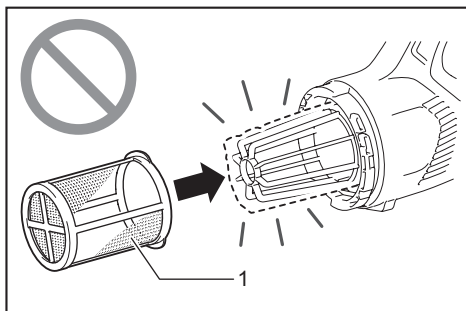
► 1. Bac à poussière 2. Poignée 3. Marque

NOTE : Retirez toujours la poussière au préalable, car la puissance d'aspiration est réduite si l'aspirateur contient trop de poussière.

AVIS : Vérifiez toujours que le filtre et le préfiltre sont correctement placés avant d'utiliser l'aspirateur. S'ils ne sont pas placés correctement, la poussière pénétrera dans le logement du moteur et causera une panne de moteur. Dans les exemples suivants, le filtre et le préfiltre ne sont pas placés correctement. Remplacez-les correctement pour corriger le problème.

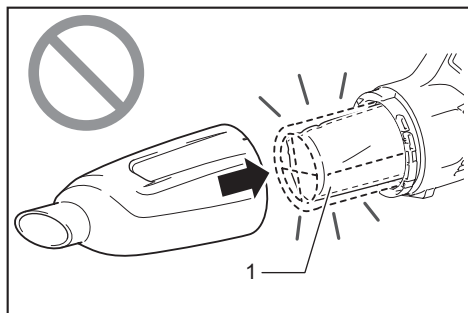
Exemples de problèmes

Exemple 1 : Seul le préfiltre a été placé (sans filtre).



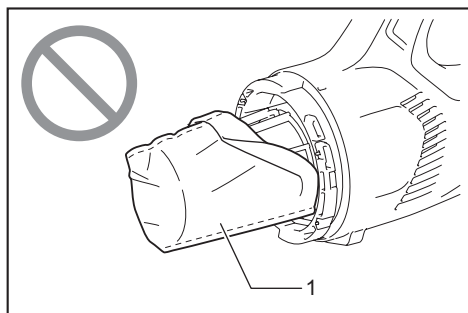
► 1. Préfiltre

Exemple 2 : Seul le filtre a été placé (sans préfiltre).



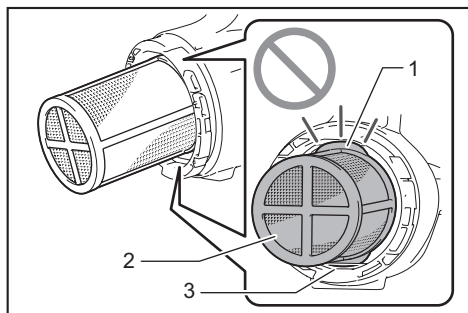
► 1. Filtre

Exemple 3 : Le filtre a été placé mais s'est détaché.



► 1. Filtre

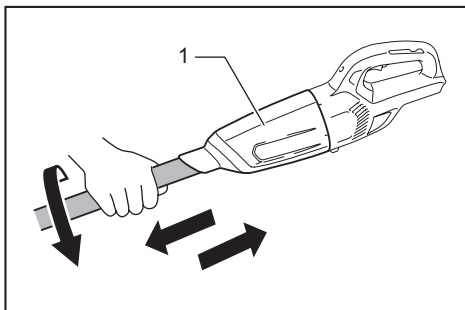
Exemple 4 : Le rebord de fixation du préfiltre n'est pas fermement verrouillé dans la rainure du boîtier d'aspirateur.



► 1. Rebord de fixation 2. Préfiltre 3. Rainure du boîtier d'aspirateur

UTILISATION

ATTENTION : Pour connecter les accessoires tels que la buse, insérez-les en les faisant pivoter dans le sens de la flèche pour qu'ils restent fermement connectés pendant l'utilisation. Pour déconnecter les accessoires, retirez-les en les faisant également pivoter dans le sens de la flèche. Si vous faites pivoter l'accessoire dans le sens opposé, que ce soit pour le connecter ou le déconnecter, le bac à poussière risque de devenir lâche.

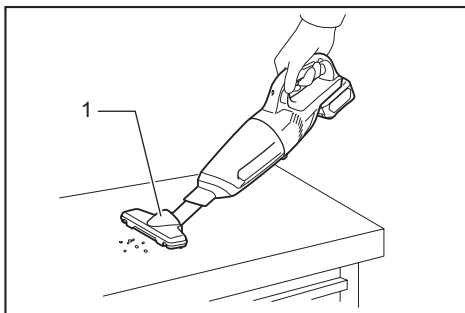


► 1. Bac à poussière

Nettoyage (fonction d'aspiration)

Buse

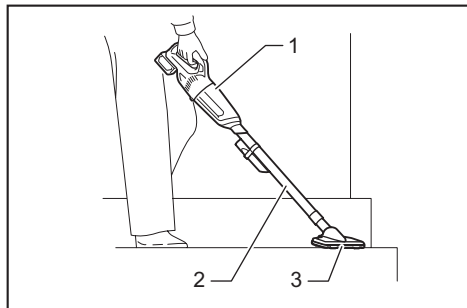
Fixez la buse pour nettoyer les tables, bureaux et autres meubles, etc. La buse glisse très facilement en place.



► 1. Buse

Buse + tube de rallonge (tuyau rectiligne)

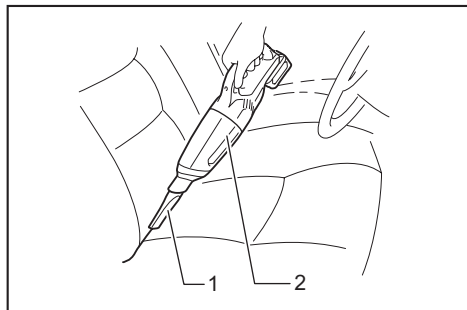
Le tube de rallonge s'installe entre la buse et l'aspirateur. Cette configuration est pratique pour nettoyer un plancher en position debout.



► 1. Corps de l'aspirateur 2. Tube de rallonge 3. Buse

Buse à angle

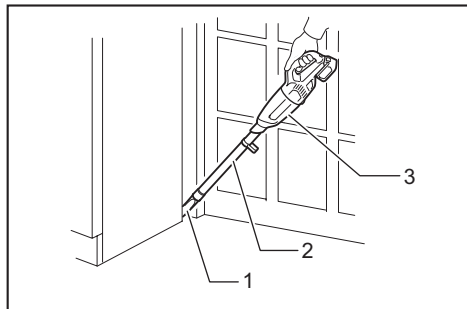
Vous pouvez aussi l'utiliser avec la buse à angle pour nettoyer les fentes et les recoins de la voiture ou du mobilier.



► 1. Buse à angle 2. Corps de l'aspirateur

Buse à angle + tube de rallonge (tuyau rectiligne)

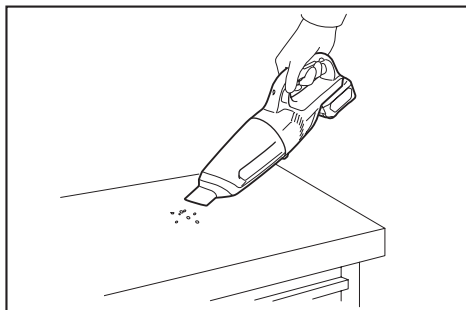
Utilisez cette configuration dans les endroits trop étroits pour l'aspirateur ou hors de portée parce que trop élevés.



► 1. Buse à angle 2. Tube de rallonge 3. Corps de l'aspirateur

Nettoyage sans buse

Sans buse, l'aspirateur peut tout de même ramasser la poudre et la poussière.

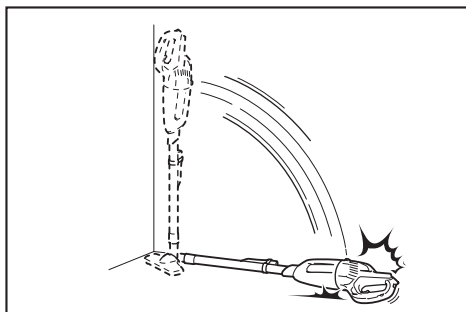


ENTRETIEN

ATTENTION : Assurez-vous toujours que l'outil est hors tension et que la batterie est retirée avant d'y effectuer tout travail d'inspection ou d'entretien.

Après l'utilisation

AVIS : L'aspirateur risque de tomber et de subir des dommages si vous le mettez contre le mur sans aucun autre soutien.



Nettoyage

AVIS : N'utilisez jamais d'essence, de benzine, de solvant, d'alcool ou autres produits similaires. Une décoloration, une déformation ou la formation de fissures peuvent en découler.

AVIS : Ne soufflez pas les poussières qui adhèrent à l'aspirateur et aux filtres avec un dépoussiérant à air. Cela ferait pénétrer les poussières dans le boîtier et causerait une panne.

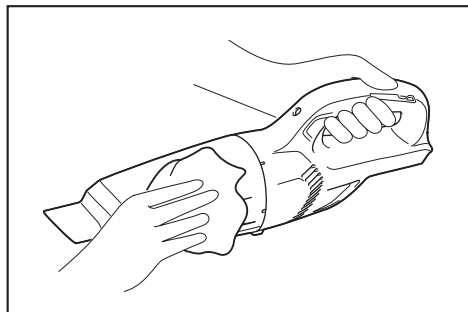
AVIS : Après avoir lavé les filtres, laissez-les sécher complètement avant l'utilisation. Des filtres mal séchés peuvent causer une mauvaise aspiration et écourter la durée de vie du moteur.

AVIS : Après avoir nettoyé les filtres et le filtre-éponge, n'oubliez pas de les réinstaller avant l'utilisation. Si vous utilisez l'aspirateur sans filtres ni filtre-éponge, les poussières pénétreront dans le boîtier du moteur et causeront un dysfonctionnement.

Corps de l'aspirateur

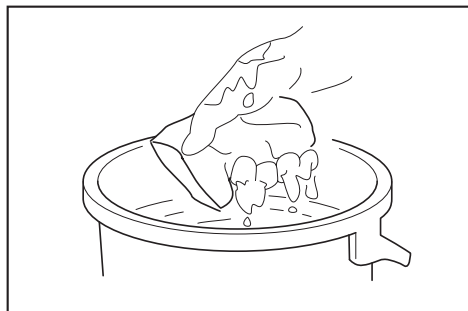
Essayez régulièrement l'extérieur (le corps) de l'aspirateur avec un chiffon imprégné d'eau savonneuse.

Nettoyez également l'ouverture d'aspiration et la zone de montage du filtre.



Filtre

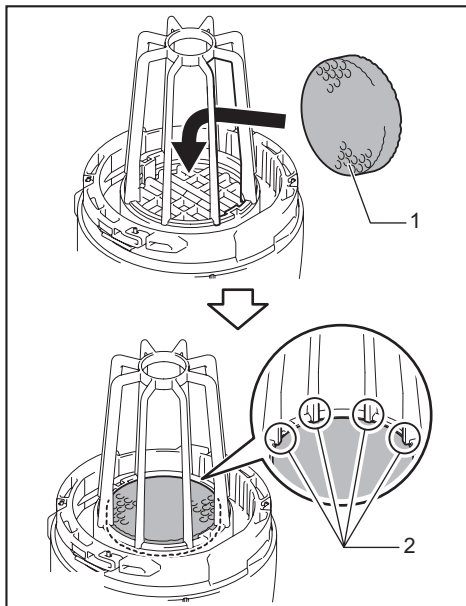
Nettoyez le filtre à l'eau savonneuse lorsqu'il est obstrué par la poussière et que la puissance d'aspiration s'affaiblit. Séchez-le entièrement avant utilisation.



Filtre-éponge

Lorsque le filtre-éponge est sale, nettoyez-le comme suit.

1. Retirez le filtre.
2. Retirez le filtre-éponge d'entre les colonnes.
3. Nettoyez le filtre-éponge en le tapotant ou en le lavant. Si vous le lavez, laissez-le sécher complètement avant l'utilisation.
4. Insérez le filtre-éponge entre les colonnes et mettez-le sur sa position initiale. Assurez-vous que chaque bord inférieur de la colonne retient le filtre-éponge, et qu'il n'y a pas d'espace libre entre le filtre-éponge et l'ouverture d'aspiration.



► 1. Filtre-éponge 2. Bord inférieur de colonne

Dépannage

Avant de faire une demande de réparation, vérifiez les points suivants.

Symptôme	Zone à inspecter	Méthode de réparation
Faible puissance d'aspiration	Le bac à poussière est-il plein ?	Videz le bac à poussière.
	Le filtre est-il obstrué ?	Nettoyez ou lavez le filtre.
	La batterie est-elle épuisée ?	Chargez la batterie.
Ne fonctionne pas	La batterie est-elle épuisée ?	Chargez la batterie.

⚠ ATTENTION : N'essayez pas de réparer l'aspirateur vous-même.

Pour maintenir la SÉCURITÉ et la FIABILITÉ du produit, les réparations et tout autre travail d'entretien ou de réglage doivent être effectués dans un centre de service après-vente autorisé ou une usine Makita, exclusivement avec des pièces de rechange Makita.

ACCESSOIRES EN OPTION

⚠ ATTENTION : Ces accessoires ou pièces complémentaires sont recommandés pour l'utilisation avec l'outil Makita spécifié dans ce manuel. L'utilisation de tout autre accessoire ou pièce complémentaire peut comporter un risque de blessure. N'utilisez les accessoires ou pièces complémentaires qu'aux fins auxquelles ils ont été conçus.

Si vous désirez obtenir plus de détails sur ces accessoires, veuillez contacter le centre de service après-vente Makita le plus près.

- Tube de rallonge (tuyau rectiligne)
- Buse
- Buse à tapis
- Brosse à épousseter
- Buse à angle
- Brosse ronde
- Tuyau flexible
- Filtre
- Préfiltre
- Chargeur et batterie authentiques Makita

NOTE : Certains éléments de la liste peuvent être inclus avec l'outil comme accessoires standards. Ils peuvent varier suivant les pays.

GARANTIE LIMITÉE MAKITA

Pour les conditions de garantie en vigueur qui s'appliquent à ce produit, veuillez vous reporter à la feuille de garantie en annexe. Si la feuille de garantie en annexe n'est pas disponible, reportez-vous aux détails de la garantie présentés sur le site Web de votre pays, ci-dessous.

États-Unis d'Amérique: www.makitatools.com

Canada: www.makita.ca

Autres pays: www.makita.com

ESPECIFICACIONES

Modelo:	CL106FD	
Capacidad	600 ml	
Uso continuo (con batería BL1016)	Aprox. 16 min.	
Longitud total	958 mm (37-3/4")	
Tensión nominal	10,8 V c.c. - 12 V c.c. máx.	
Cartucho de batería estándar	BL1016, BL1021B	BL1041B
Peso neto	1,0 kg (2,2 lbs)	1,1 kg (2,5 lbs)

- Debido a nuestro continuo programa de investigación y desarrollo, las especificaciones aquí incluidas están sujetas a cambio sin previo aviso.
- Las especificaciones y el cartucho de batería pueden variar de país a país.
- Peso de acuerdo al procedimiento de EPTA-01/2003 incluyendo el cartucho de batería

ADVERTENCIAS DE SEGURIDAD

INSTRUCCIONES IMPORTANTES DE SEGURIDAD

Al usar cualquier aparato eléctrico, siempre deben seguirse las precauciones básicas, incluyendo las siguientes:

GUARDE ESTAS INSTRUCCIONES.

ADVERTENCIA

Para reducir el riesgo de incendio, descarga eléctrica o lesión:

1. No deje el aparato con la batería puesta. Retire la batería del aparato cuando no lo vaya a utilizar y antes de dar servicio de mantenimiento.
2. No lo utilice sobre superficies húmedas. No lo exponga a la lluvia. Almacénelo en interiores.
3. No permita que sea utilizado como un juguete. Supervise de cerca cuando lo utilicen niños o se utilice cerca de ellos.
4. Utilícelo solamente como se describe en este manual. Sólo use aditamentos recomendados por el fabricante.
5. No lo utilice con una batería dañada. Si el aparato no está funcionando como debiera, se ha dejado caer, se ha dañado, se ha dejado a la intemperie o ha caído sobre agua, llévelo a un centro de servicio.
6. No manipule el aparato con las manos mojadas.
7. No introduzca ningún objeto en las aberturas. No lo utilice con ninguna abertura bloqueada; manténgalo libre de polvo, pelusa, cabello y cualquier objeto que pueda reducir el flujo de aire.
8. Mantenga el cabello, la ropa holgada, los dedos y todas las partes del cuerpo lejos de las aberturas y piezas móviles.
9. Apague todos los controles antes de retirar el cartucho de batería.
10. Tenga especial cuidado cuando limpie en escaleras.
11. No lo utilice para recoger líquidos inflamables o combustibles, tal como gasolina, ni en áreas donde puedan estar presentes.
12. Utilice solamente el cargador suministrado por el fabricante para recargar.

13. **No recoja nada que se esté quemando o desprenda humo, tal como cigarrillos, fósforos o cenizas calientes.**
14. **No lo utilice sin la bolsa recolectora de polvo y/o los filtros colocados en su lugar.**
15. **No cargue la batería en exteriores.**
16. **Use las herramientas eléctricas solamente con los paquetes de baterías designados específicamente para ellas.** El uso de otros paquetes de baterías puede generar riesgo de lesiones e incendio.
17. **Recargue sólo con el cargador especificado por el fabricante.** Un cargador que es adecuado para un solo tipo de paquete de baterías puede generar riesgo de incendio al ser utilizado con otro paquete de baterías.
18. **Cuando no se esté usando el paquete de baterías, guárdelo lejos de otros objetos metálicos tales como sujetapapeles (clips), monedas, llaves, clavos, tornillos u otros objetos metálicos pequeños que puedan crear una conexión entre una terminal y otra.** Ocasionar un cortocircuito en las terminales de la batería puede provocar quemaduras o incendios.
19. **En condiciones de mal uso, podría escapar líquido de la batería; evite tocarlo. Si lo toca accidentalmente, enjuague con agua. Si el líquido entra en contacto con los ojos, solicite adicionalmente atención médica.** El líquido expulsado de la batería puede causar irritación o quemaduras.

GUARDE ESTAS INSTRUCCIONES.

REGLAS DE SEGURIDAD ADICIONALES

Este aparato está diseñado para un uso doméstico solamente.

1. **Lea cuidadosamente este manual de instrucciones y el manual de instrucciones del cargador antes de usar el aparato.**
2. **No recoja los siguientes materiales:**
 - **Materiales calientes tales como cigarrillos encendidos o chispas/polvo de metal generados por el esmerilado/corte de metal**
 - **Materiales inflamables tales como gasolina, disolventes, bencina, queroseno o pintura**
 - **Materiales explosivos tal como nitroglicerina**
 - **Materiales combustibles tales como aluminio, zinc, magnesio, titanio, fósforo o celuloide**
 - **Tierra mojada, agua, aceite o similares**
 - **Piezas duras con bordes filosos tales como astillas de madera, metales, piedras, vidrios, clavos, alfileres o navajas**
 - **Polvos que se cuajan como cemento o tónor**
 - **Polvo que pueda conducir la electricidad como el polvo de metal o carbón**
 - **Partículas diminutas como las del polvo de concreto**

Tal acción podría ocasionar un incendio, lesiones y/o daños materiales.

3. **Detenga la operación de inmediato si nota algo anormal.**
4. **Si deja caer o golpea la aspiradora, verifique cuidadosamente si hay grietas o daños antes de la operación.**
5. **No la acerque a estufas ni a otras fuentes de calor.**

6. No obstruya el orificio de flujo de entrada ni los orificios de ventilación.
7. Este aparato no se destina para utilizarse por personas (incluyendo niños) cuyas capacidades físicas, sensoriales o mentales sean diferentes o estén reducidas o carezcan de experiencia o de conocimiento, a menos que dichas personas reciban una supervisión o capacitación para el funcionamiento del aparato por una persona responsable de su seguridad.
8. Los niños deben supervisarse para asegurar que ellos no empleen los aparatos como juguete.
4. En caso de que ingresen electrolitos en sus ojos, enjuáguelos bien con agua limpia y consulte de inmediato a un médico. Esto podría ocasionar pérdida de visión.
5. Evite cortocircuitar el cartucho de batería:
 - (1) No toque las terminales con ningún material conductor.
 - (2) Evite guardar el cartucho de batería en un cajón junto con otros objetos metálicos, tales como clavos, monedas, etc.
 - (3) No esponga el cartucho de batería al agua o la lluvia.

Un cortocircuito en la batería puede causar un flujo grande de corriente, sobrecalentamiento, posibles quemaduras e incluso una descompostura.

GUARDE ESTAS INSTRUCCIONES.

Símbolos

A continuación se muestran los símbolos utilizados para la herramienta.

v	volts o voltios
— — —	corriente directa o continua

Instrucciones importantes de seguridad para el cartucho de batería

1. Antes de utilizar el cartucho de batería, lea todas las instrucciones e indicaciones de precaución en el (1) el cargador de batería, (2) la batería, y (3) el producto con el que se utiliza la batería.
2. No desarme el cartucho de batería.
3. Si el tiempo de operación se ha acortado en exceso, deje de operar de inmediato. Podría correrse el riesgo de sobrecalentamiento, posibles quemaduras e incluso explosión.
6. No guarde la herramienta ni el cartucho de batería en lugares donde la temperatura pueda alcanzar o exceder los 50°C (122°F).
7. Nunca incinere el cartucho de batería incluso en el caso de que esté dañado seriamente o ya no sirva en absoluto. El cartucho de batería puede explotar si se tira al fuego.
8. Tenga cuidado de no dejar caer ni golpear la batería.
9. No use una batería dañada.
10. Las baterías de ión de litio están sujetas a los requisitos reglamentarios en materia de bienes peligrosos.

Para el transporte comercial, por ej., mediante terceros o agentes de transporte, se deben tomar en cuenta los requisitos especiales relativos al empaque y el etiquetado. Para efectuar los preparativos del artículo que se va a enviar, se requiere consultar a un experto en materiales peligrosos. Si es posible, consulte además otras regulaciones nacionales más detalladas. Pegue o cubra con cinta adhesiva los contactos abiertos y empaque la batería de manera que ésta no pueda moverse dentro del paquete.

11. Siga las regulaciones locales relacionadas al desecho de las baterías.

GUARDE ESTAS INSTRUCCIONES.

⚠PRECAUCIÓN: Utilice únicamente baterías originales de Makita. El uso de baterías no originales de Makita, o de baterías alteradas, puede ocasionar que las baterías exploten causando un incendio, lesiones personales y daños. Asimismo, esto invalidará la garantía de Makita para la herramienta y el cargador Makita.

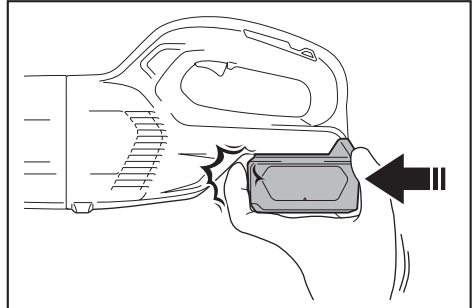
Consejos para alargar al máximo la vida útil de la batería

1. Cargue el cartucho de batería antes de que se descargue completamente. Pare siempre la operación y cargue el cartucho de batería cuando note menos potencia en la herramienta.
2. No cargue nunca un cartucho de batería que esté completamente cargado. La sobrecarga acortará la vida de servicio de la batería.
3. Cargue el cartucho de batería a una temperatura ambiente de 10 °C - 40 °C (50 °F - 104 °F). Si un cartucho de batería está caliente, déjelo enfriar antes de cargarlo.

DESCRIPCIÓN DEL FUNCIONAMIENTO

⚠PRECAUCIÓN: Asegúrese siempre de que la herramienta esté apagada y el cartucho de batería haya sido extraído antes de realizar cualquier ajuste o comprobación en la herramienta.

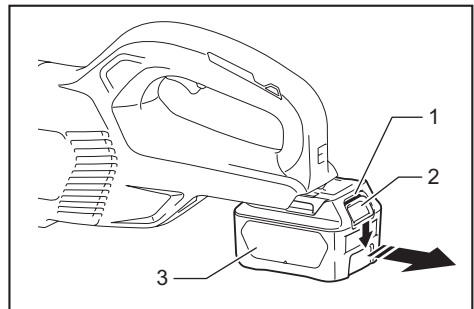
⚠PRECAUCIÓN: Tenga cuidado de que su(s) dedo(s) no quede(n) atrapado(s) entre la aspiradora y la batería, tal como se ilustra en el diagrama, al momento de colocar la batería. Si su(s) dedo(s) quedara(n) atrapado(s) podría(n) resultar lesionado(s).



Instalación o extracción del cartucho de batería

⚠PRECAUCIÓN: Apague siempre la herramienta antes de colocar o quitar el cartucho de batería.

⚠PRECAUCIÓN: Sujete la herramienta y el cartucho de la batería con firmeza al colocar o quitar el cartucho de batería. Si no se sujeta con firmeza la herramienta y el cartucho de batería, puede ocasionar que se resbalen de sus manos causando daños a la herramienta y al cartucho de batería, así como lesiones a la persona.



► 1. Indicador rojo 2. Botón 3. Cartucho de batería

Para quitar el cartucho de batería, deslícelo de la herramienta mientras desliza el botón sobre la parte delantera del cartucho.

Para colocar el cartucho de batería, alinee la lengüeta sobre el cartucho de batería con la ranura en la carcasa y deslice en su lugar. Inserte por completo hasta que se fije en su lugar con un pequeño clic. Si puede ver el indicador rojo del lado superior del botón, esto indica que no ha quedado fijo por completo.

⚠️ PRECAUCIÓN: Introduzca siempre completamente el cartucho de batería hasta que el indicador rojo no pueda verse. Si no, podría accidentalmente salirse de la herramienta y caer al suelo causando una lesión a usted o alguien a su alrededor.

⚠️ PRECAUCIÓN: No instale el cartucho de batería a la fuerza. Si el cartucho no se desliza al interior fácilmente, se debe a que no está siendo insertado correctamente.

Sistema de protección de batería

La herramienta está equipada con un sistema de protección de batería. Este sistema corta en forma automática el suministro de energía al motor para prolongar la vida útil de la batería.

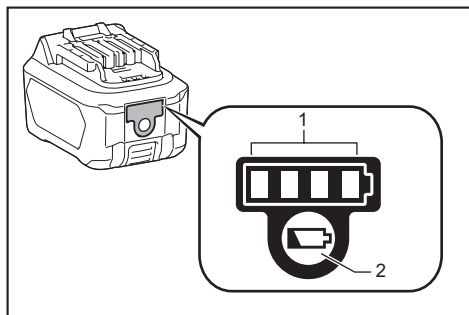
La herramienta se detendrá automáticamente durante la operación si la herramienta y/o la batería se someten a la siguiente condición:

Bajo voltaje de la batería:

La capacidad restante de la batería es demasiado baja y la herramienta no funcionará. Si enciende la herramienta, el motor vuelve a funcionar pero se detiene al poco tiempo. En este caso, extraiga la batería y vuelva a cargarla.

Indicación de la capacidad restante de la batería

Únicamente para cartuchos de batería con el indicador



► 1. Luces indicadoras 2. Botón de verificación

Oprima el botón de verificación en el cartucho de la batería para que indique la capacidad restante de la batería. Las luces indicadoras se iluminarán por algunos segundos.

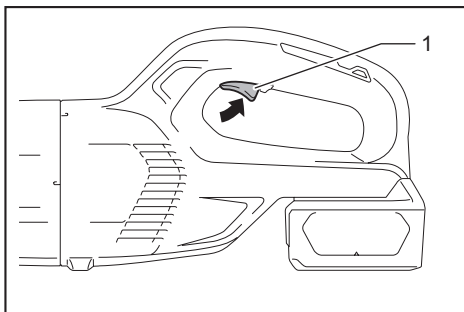
Luces indicadoras		Capacidad restante
Iluminadas	Apagado	
■ ■ ■ ■	□	75% a 100%
■ ■ ■ □	□	50% a 75%
■ ■ □ □	□ □	25% a 50%
■ □ □ □	□ □ □ □	0% a 25%

NOTA: Dependiendo de las condiciones de uso y la temperatura ambiente, la indicación podrá diferir ligeramente de la capacidad real.

Accionamiento del interruptor

⚠️ PRECAUCIÓN: Antes de insertar el cartucho de batería en la herramienta, compruebe siempre y cerciórese de que el gatillo interruptor se acciona debidamente y que vuelve a la posición "OFF" (apagado) cuando lo suelta.

Para poner en marcha la herramienta, simplemente jale el gatillo interruptor. Para detenerla, suelte el gatillo interruptor.

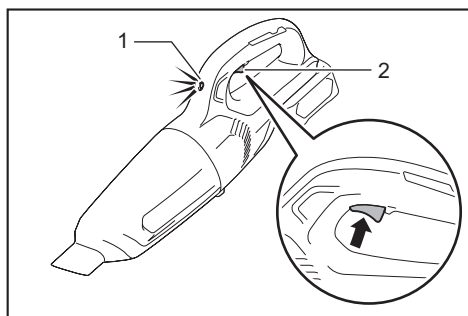


► 1. Gatillo interruptor

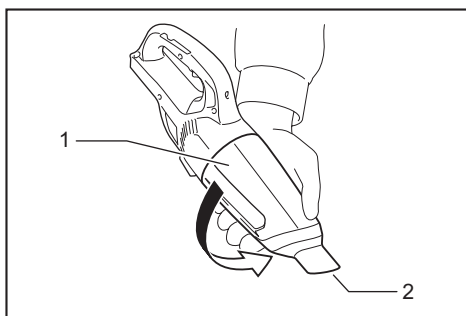
Encendido de la lámpara

⚠️ PRECAUCIÓN: No mire a la luz ni vea a la fuente de luz directamente.

Para encender la lámpara, jale el gatillo interruptor. Durante la puesta en marcha de la herramienta, la lámpara se encenderá. Suelte el interruptor para apagar la lámpara.



► 1. Luz 2. Gatillo interruptor



► 1. Cápsula 2. Entrada de succión

MONTAJE

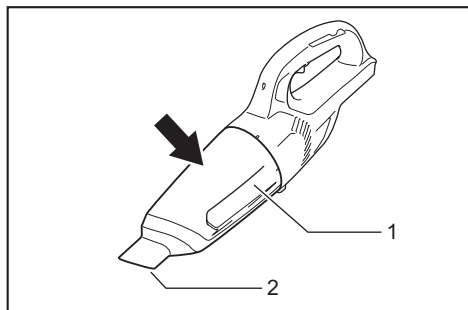
⚠PRECAUCIÓN: Asegúrese siempre de que la herramienta esté apagada y el cartucho de batería haya sido extraído antes de realizar cualquier trabajo en la misma.

Eliminación del polvo

⚠PRECAUCIÓN: Vacíe la aspiradora antes de que se llene, o la fuerza de succión se debilitará.

⚠PRECAUCIÓN: Asegúrese de vaciar el polvo que haya dentro de la misma aspiradora. El no hacerlo podría causar que el filtro se tape o que el motor se dañe.

Para eliminar el polvo que quede pegado sobre el filtro en la cápsula, dé un golpe ligero a la cápsula unas 4 o 5 veces con su mano.

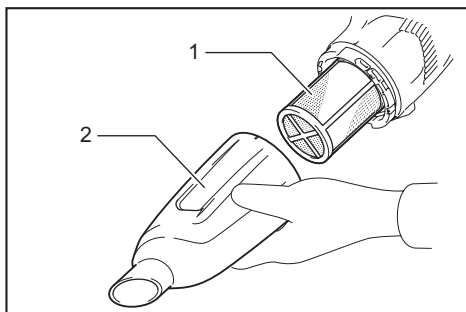


► 1. Cápsula 2. Entrada de succión

Apunte la entrada de succión hacia abajo, gire la cápsula en la dirección de la flecha tal como se muestra en la ilustración, y desconecte la cápsula lentamente y de forma recta.

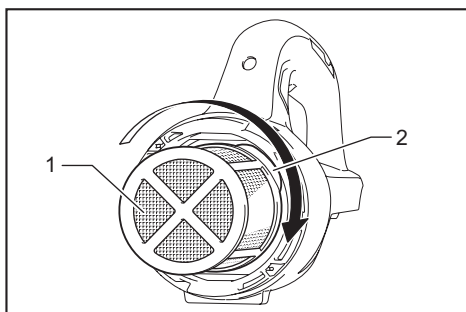
NOTA: Asegúrese de colocar una bolsa de basura debajo de la cápsula, ya que el polvo podría esparcirse al abrir la cápsula.

Elimine el polvo acumulado del interior de la cápsula y del prefiltro.



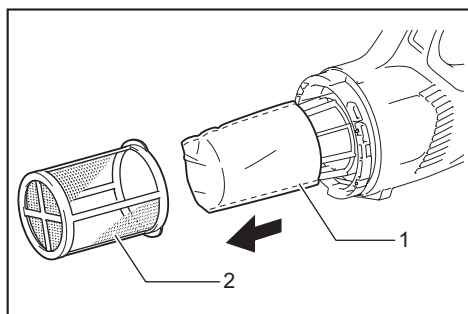
► 1. Prefiltro 2. Cápsula

Desenrosque el prefiltro en la dirección de la flecha para desprenderlo del reborde de fijación de la unidad de la aspiradora y sáquelo.

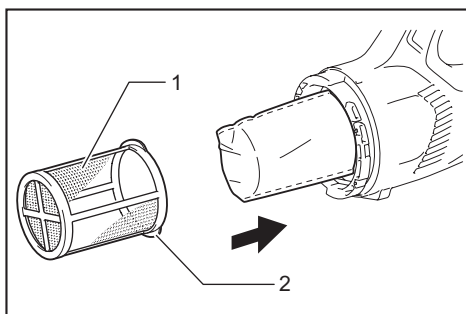


► 1. Prefiltro 2. Reborde de fijación

Limpie el polvo fino del prefiltro. Y luego, retire el filtro y déle un golpe ligero para desprender el polvo adherido.



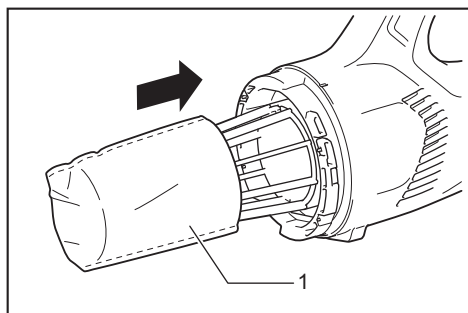
► 1. Filtro 2. Prefiltro



► 1. Prefiltro 2. Reborde de fijación

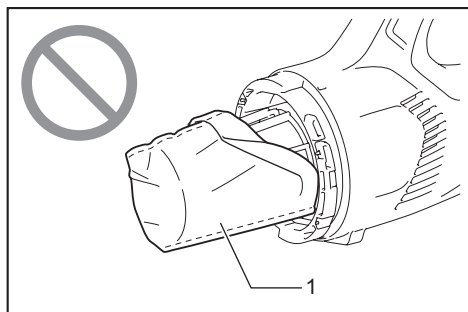
Reensamble

Coloque el filtro de manera que quede debidamente puesto en su lugar sobre la unidad de la aspiradora.



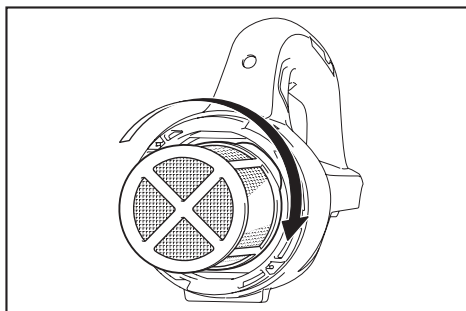
► 1. Filtro

AVISO: Asegúrese de que el filtro quede colocado de manera recta sin que se desprenda. Si el filtro se coloca de manera incorrecta tal como se muestra en la ilustración, el polvo se introducirá en la carcasa del motor causando daños al mismo.

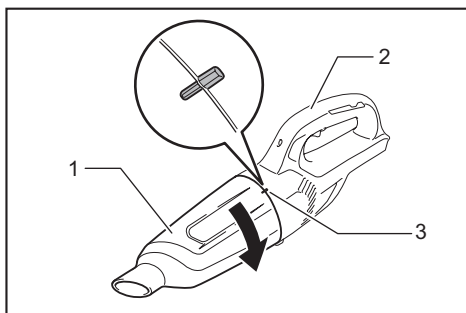


► 1. Filtro

Instale el prefiltro. En este momento, asegúrese de girar el prefiltro de tal manera que el reborde de fijación quede firmemente asegurado en la unidad de la aspiradora.



Instale la cápsula. Alinee la marca en la cápsula con la marca cerca del mango y luego gire firmemente la cápsula en la dirección de la flecha hasta que quede asegurada.



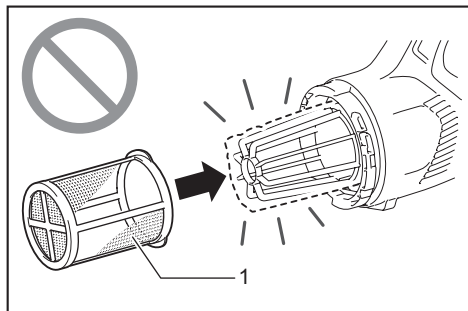
► 1. Cápsula 2. Mango 3. Marca

NOTA: Elimine siempre el polvo con antelación, ya que la potencia de succión será menor en caso de haber demasiado polvo en la aspiradora.

AVISO: Asegúrese siempre de verificar que tanto el filtro como el prefiltro estén debidamente colocados antes de utilizar la aspiradora. En caso de no estar debidamente colocados, el polvo se introducirá a la carcasa del motor causando daños al mismo. Si alguno de los siguientes ejemplos ocurre, quiere decir que el filtro y el prefiltro no se encuentran debidamente colocados. Vuévalos a colocar correctamente para corregir el problema.

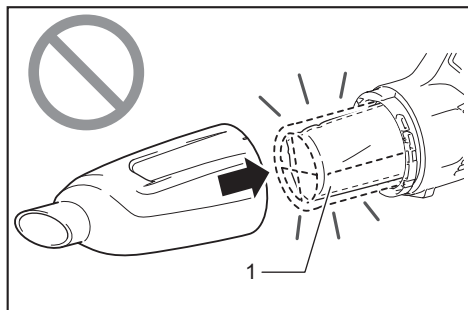
Ejemplos de problemas

Ejemplo 1: Únicamente el prefiltro ha sido colocado (no el filtro)



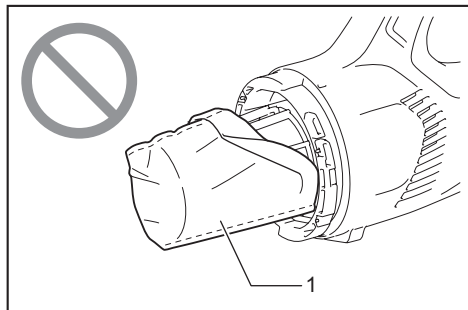
► 1. Prefiltro

Ejemplo 2: Únicamente el filtro ha sido colocado (no el prefiltro)



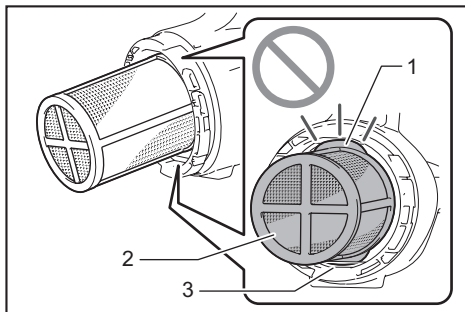
► 1. Filtro

Ejemplo 3: El filtro ha sido colocado quedando desprendido



► 1. Filtro

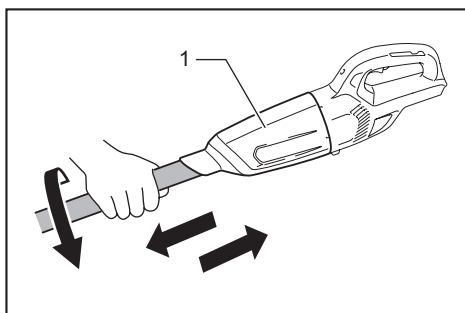
Ejemplo 4: El reborde de fijación en el prefiltro no ha quedado asegurado firmemente en la ranura de la carcasa de la aspiradora



► 1. Reborde de fijación 2. Prefiltro 3. Ranura de la carcasa de la aspiradora

OPERACIÓN

⚠PRECAUCIÓN: Para conectar los aditamentos, tal como la boquilla, inserte y enrosque el aditamento en la dirección de la flecha para asegurar la conexión durante el uso. Para desconectar los aditamentos, desenrosque y extraiga el aditamento en la dirección de la flecha. Si el aditamento es enroscado en la dirección opuesta, ya sea al conectarlo o desconectarlo, la cápsula podría quedar suelta.

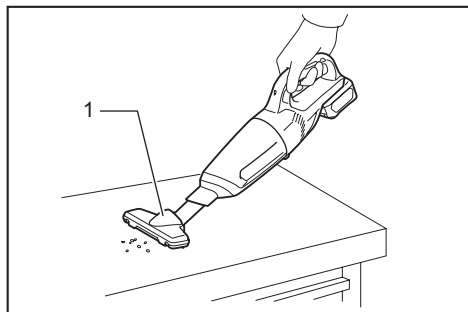


► 1. Cápsula

Aspirado (succión)

Boquilla

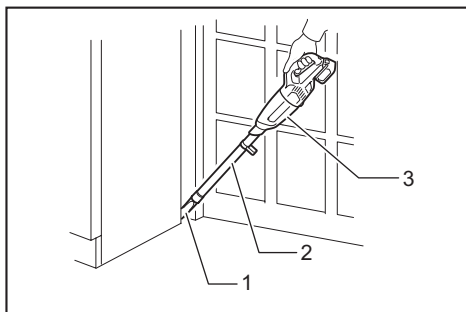
Coloque la boquilla para aspirar mesas, escritorios, muebles, etc. La boquilla se pone fácilmente.



► 1. Boquilla

Boquilla para esquinas + Tubo de extensión (tubo recto)

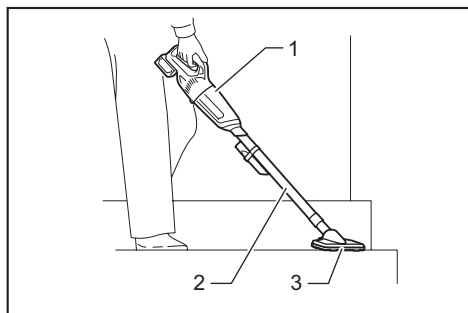
Utilice esta modalidad para espacios estrechos donde la misma aspiradora no quepa, o en lugares elevados difíciles de alcanzar.



► 1. Boquilla para esquinas 2. Tubo de extensión
3. Cuerpo de la aspiradora

Boquilla + Tubo de extensión (tubo recto)

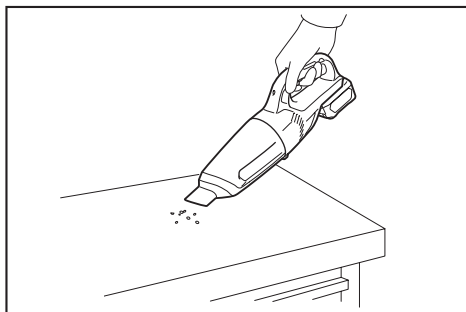
El tubo de extensión se coloca entre la boquilla y la aspiradora misma. Esta modalidad resulta conveniente para aspirar un piso estando de pie.



► 1. Cuerpo de la aspiradora 2. Tubo de extensión
3. Boquilla

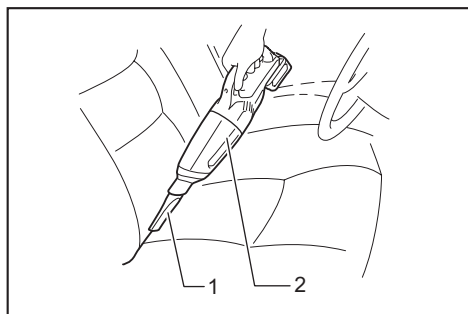
Aspirado sin boquilla

Puede aspirar el polvo sin el uso de la boquilla.



Boquilla para esquinas

Coloque la boquilla para esquinas para aspirar esquinas y huecos en autos y muebles.



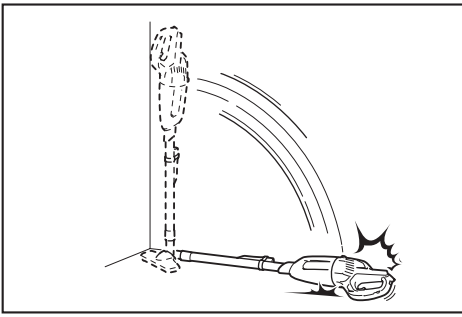
► 1. Boquilla para esquinas 2. Cuerpo de la aspiradora

MANTENIMIENTO

PRECAUCIÓN: Asegúrese siempre de que la herramienta esté apagada y el cartucho de batería extraído antes de intentar realizar una inspección o mantenimiento.

Después del uso

AVISO: El colocar la aspiradora contra la pared sin que haya ningún otro soporte podría ocasionar que la aspiradora se cayera y se dañara.



Limpeza

AVISO: Nunca use gasolina, bencina, diluyente (tíner), alcohol o sustancias similares. Puede que esto ocasione grietas o descoloramiento.

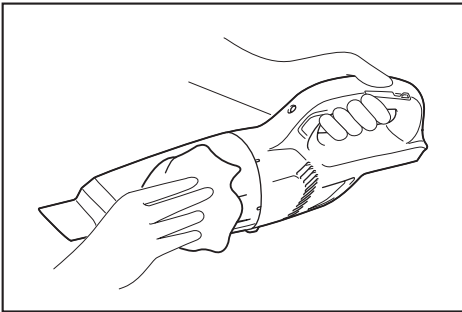
AVISO: No use un soplador de aire con el fin de eliminar el polvo adherido en la aspiradora y en los filtros. Esto introduciría polvo en la carcasa pudiendo causar daños.

AVISO: Después de lavar los filtros, séquelos completamente antes de usarlos. Si los filtros no están completamente secos la succión podría ser deficiente y la vida útil del motor podría reducirse.

AVISO: Después de limpiar los filtros y el filtro de esponja, asegúrese de volverlos a instalar antes del uso. Si utiliza la aspiradora sin los filtros y el filtro de esponja, el polvo entrará a la carcasa del motor causando daños en el mismo.

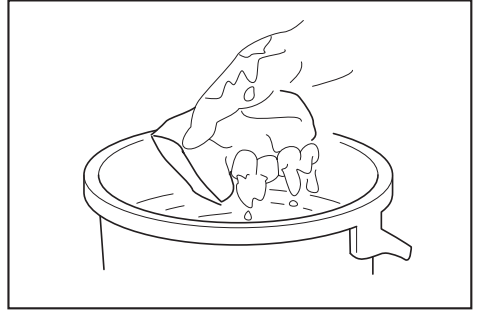
Cuerpo de la aspiradora

De vez en cuando, limpie el exterior (cuerpo) de la aspiradora usando un paño húmedo y agua enjabonada. Asimismo, limpie la abertura de succión y el área donde va instalado el filtro.



Filtro

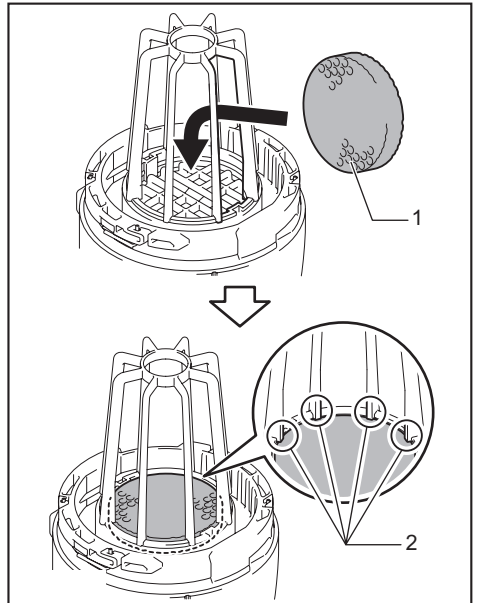
Lave el filtro en agua enjabonada cuando éste se haya tapado con el polvo y disminuya la potencia de la aspiradora. Déjelo secar por completo antes de usarlo.



Filtro de esponja

Cuando el filtro de esponja se ensucie, límpielo como se indica a continuación.

1. Retire el filtro.
2. Jale hacia afuera el filtro de esponja de entre los pilares.
3. Limpie el filtro de esponja mediante golpecitos o lavándolo. Si lo lava, déjelo secar por completo antes de usarlo.
4. Inserte el filtro de esponja entre los pilares y colóquelo en la posición original. Asegúrese de que el borde inferior de cada pilar mantenga sujetado el filtro de esponja y que no haya ningún espacio entre el filtro de esponja y la abertura de succión.



► 1. Filtro de esponja 2. Borde inferior del pilar

DetECCIÓN Y SOLUCIÓN DE PROBLEMAS

Antes de solicitar una reparación, verifique los siguientes puntos.

Sintoma	Área a ser investigada	Método de solución
Potencia de succión deficiente	¿La cápsula está llena de polvo?	Vacíe el polvo de la cápsula.
	¿El filtro está tapado?	Limpie o lave el filtro.
	¿El cartucho de batería se ha agotado?	Cargue el cartucho de batería.
No funciona	¿El cartucho de batería se ha agotado?	Cargue el cartucho de batería.

⚠ PRECAUCIÓN: No intente reparar la aspiradora por su cuenta.

Para mantener la SEGURIDAD y FIABILIDAD del producto, las reparaciones, y cualquier otra tarea de mantenimiento o ajuste deberán ser realizadas en centros de servicio autorizados o de fábrica Makita, empleando siempre repuestos Makita.

ACCESORIOS OPCIONALES

⚠ PRECAUCIÓN: Estos accesorios o aditamentos están recomendados para utilizarse con su herramienta Makita especificada en este manual. El empleo de cualquier otro accesorio o aditamento puede conllevar el riesgo de lesiones personales. Utilice los accesorios o aditamentos solamente para su fin establecido.

Si necesita cualquier ayuda para más detalles en relación con estos accesorios, pregunte a su centro de servicio local Makita.

- Tubo de extensión (tubo recto)
- Boquilla
- Boquilla para alfombra
- Cepillo para estantes
- Boquilla para esquinas
- Cepillo redondo
- Manguera flexible
- Filtro
- Prefiltro
- Batería y cargador originales de Makita

NOTA: Algunos de los artículos en la lista pueden incluirse en el paquete de la herramienta como accesorios estándar. Éstos pueden variar de país a país.

GARANTÍA LIMITADA DE MAKITA

Ésta Garantía no aplica para México

Consulte la hoja de la garantía anexa para ver los términos más vigentes de la garantía aplicable a este producto. En caso de no disponer de esta hoja de garantía anexa, consulte los detalles sobre la garantía descritos en el sitio web de su país respectivo indicado a continuación.

Estados Unidos de América: www.makitatools.com

Canadá: www.makita.ca

Otros países: www.makita.com

< USA only >

WARNING

Some dust created by power sanding, sawing, grinding, drilling, and other construction activities contains chemicals known to the State of California to cause cancer, birth defects or other reproductive harm. Some examples of these chemicals are:

- lead from lead-based paints,
- crystalline silica from bricks and cement and other masonry products, and
- arsenic and chromium from chemically-treated lumber.

Your risk from these exposures varies, depending on how often you do this type of work. To reduce your exposure to these chemicals: work in a well ventilated area, and work with approved safety equipment, such as those dust masks that are specially designed to filter out microscopic particles.

< Sólo en los Estados Unidos >

ADVERTENCIA

Algunos polvos creados por el lijado, aserrado, esmerilado, taladrado y otras actividades de la construcción contienen sustancias químicas reconocidas por el Estado de California como causantes de cáncer, defectos de nacimiento y otros peligros de reproducción. Algunos ejemplos de estos productos químicos son:

- plomo de pinturas a base de plomo,
- sílice cristalino de ladrillos y cemento y otros productos de albañilería, y
- arsénico y cromo de maderas tratadas químicamente.

El riesgo al que se expone varía, dependiendo de la frecuencia con la que realice este tipo de trabajo. Para reducir la exposición a estos productos químicos: trabaje en un área bien ventilada y póngase el equipo de seguridad indicado, tal como las máscaras contra polvo que están especialmente diseñadas para filtrar partículas microscópicas.

Makita Corporation

3-11-8, Sumiyoshi-cho,
Anjo, Aichi 446-8502 Japan

www.makita.com

885525C938
CL106FD-1
EN, FRCA, ESMX
20170920