

INSTRUCTION MANUAL  
MANUEL D'INSTRUCTION  
MANUAL DE INSTRUCCIONES

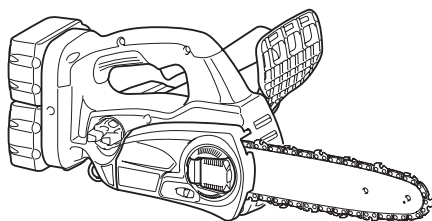


# Cordless Chain Saw

## Tronçonneuse sans Fil

## Electrosierra Inalámbrica

**DUC252**  
**DUC302**



**IMPORTANT:** Read Before Using.

**IMPORTANT :** Lire avant usage.

**IMPORTANTE:** Lea antes de usar.

# SPECIFICATIONS

Model		DUC252		DUC302	
Chain speed		8.3 m/s (500 m/min) (1,650 ft/min)			
Length of guide bar		250 mm (10")		300 mm (12")	
Guide bar part No		168408-5		165245-8	
Guide bar type		Sprocket nose bar			
Saw chain	Type	91PX		90PX	
	Pitch	3/8"		3/8"	
	No. of drive links	40		46	
Number of teeth		6		6	
Overall length (without guide bar)		316 mm (12-1/2")			
Net weight		4.1 kg (9.0 lbs)	4.6 kg (10.2 lbs)	4.1 kg (9.0 lbs)	4.7 kg (10.3 lbs)
Standard battery cartridges		BL1815N / BL1820 / BL1820B	BL1830 / BL1830B / BL1840 / BL1840B / BL1850 / BL1850B / BL1860B	BL1815N / BL1820 / BL1820B	BL1830 / BL1830B / BL1840 / BL1840B / BL1850 / BL1850B / BL1860B
Rated voltage		D.C. 36 V			

- Due to our continuing program of research and development, the specifications herein are subject to change without notice.
- Specifications and battery cartridge may differ from country to country.
- Weight, with battery cartridge, according to EPTA-Procedure 01/2003

## General Power Tool Safety Warnings

**⚠ WARNING** Read all safety warnings and all instructions. Failure to follow the warnings and instructions may result in electric shock, fire and/or serious injury.

### Save all warnings and instructions for future reference.

The term "power tool" in the warnings refers to your mains-operated (corded) power tool or battery-operated (cordless) power tool.

#### Work area safety

1. **Keep work area clean and well lit.** Cluttered or dark areas invite accidents.
2. **Do not operate power tools in explosive atmospheres, such as in the presence of flammable liquids, gases or dust.** Power tools create sparks which may ignite the dust or fumes.
3. **Keep children and bystanders away while operating a power tool.** Distractions can cause you to lose control.

#### Electrical safety

4. **Power tool plugs must match the outlet. Never modify the plug in any way. Do not use any adapter plugs with earthed (grounded) power tools.** Unmodified plugs and matching outlets will reduce risk of electric shock.
5. **Avoid body contact with earthed or grounded surfaces such as pipes, radiators, ranges and refrigerators.** There is an increased risk of electric shock if your body is earthed or grounded.
6. **Do not expose power tools to rain or wet conditions.** Water entering a power tool will increase the risk of electric shock.

7. **Do not abuse the cord. Never use the cord for carrying, pulling or unplugging the power tool. Keep cord away from heat, oil, sharp edges or moving parts.** Damaged or entangled cords increase the risk of electric shock.
8. **When operating a power tool outdoors, use an extension cord suitable for outdoor use.** Use of a cord suitable for outdoor use reduces the risk of electric shock.
9. **If operating a power tool in a damp location is unavoidable, use a ground fault circuit interrupter (GFCI) protected supply.** Use of an GFCI reduces the risk of electric shock.

#### Personal safety

10. **Stay alert, watch what you are doing and use common sense when operating a power tool. Do not use a power tool while you are tired or under the influence of drugs, alcohol or medication.** A moment of inattention while operating power tools may result in serious personal injury.
11. **Use personal protective equipment. Always wear eye protection.** Protective equipment such as dust mask, non-skid safety shoes, hard hat, or hearing protection used for appropriate conditions will reduce personal injuries.
12. **Prevent unintentional starting. Ensure the switch is in the off-position before connecting to power source and/or battery pack, picking up or carrying the tool.** Carrying power tools with your finger on the switch or energising power tools that have the switch on invites accidents.
13. **Remove any adjusting key or wrench before turning the power tool on.** A wrench or a key left attached to a rotating part of the power tool may result in personal injury.

14. **Do not overreach. Keep proper footing and balance at all times.** This enables better control of the power tool in unexpected situations.
15. **Dress properly. Do not wear loose clothing or jewellery. Keep your hair, clothing, and gloves away from moving parts.** Loose clothes, jewellery or long hair can be caught in moving parts.
16. **If devices are provided for the connection of dust extraction and collection facilities, ensure these are connected and properly used.** Use of dust collection can reduce dust-related hazards.

#### Power tool use and care

17. **Do not force the power tool. Use the correct power tool for your application.** The correct power tool will do the job better and safer at the rate for which it was designed.
18. **Do not use the power tool if the switch does not turn it on and off.** Any power tool that cannot be controlled with the switch is dangerous and must be repaired.
19. **Disconnect the plug from the power source and/or the battery pack from the power tool before making any adjustments, changing accessories, or storing power tools.** Such preventive safety measures reduce the risk of starting the power tool accidentally.
20. **Store idle power tools out of the reach of children and do not allow persons unfamiliar with the power tool or these instructions to operate the power tool.** Power tools are dangerous in the hands of untrained users.
21. **Maintain power tools. Check for misalignment or binding of moving parts, breakage of parts and any other condition that may affect the power tool's operation. If damaged, have the power tool repaired before use.** Many accidents are caused by poorly maintained power tools.
22. **Keep cutting tools sharp and clean.** Properly maintained cutting tools with sharp cutting edges are less likely to bind and are easier to control.
23. **Use the power tool, accessories and tool bits etc. in accordance with these instructions, taking into account the working conditions and the work to be performed.** Use of the power tool for operations different from those intended could result in a hazardous situation.

#### Battery tool use and care

24. **Recharge only with the charger specified by the manufacturer.** A charger that is suitable for one type of battery pack may create a risk of fire when used with another battery pack.
25. **Use power tools only with specifically designated battery packs.** Use of any other battery packs may create a risk of injury and fire.
26. **When battery pack is not in use, keep it away from other metal objects, like paper clips, coins, keys, nails, screws or other small metal objects, that can make a connection from one terminal to another.** Shorting the battery terminals together may cause burns or a fire.
27. **Under abusive conditions, liquid may be ejected from the battery; avoid contact. If contact accidentally occurs, flush with water. If liquid contacts eyes, additionally seek medical help.** Liquid ejected from the battery may cause irritation or burns.

#### Service

28. **Have your power tool serviced by a qualified repair person using only identical replacement parts.** This will ensure that the safety of the power tool is maintained.
29. **Follow instruction for lubricating and changing accessories.**
30. **Keep handles dry, clean and free from oil and grease.**

### Cordless Chain saw safety warnings:

1. **Keep all parts of the body away from the saw chain when the chain saw is operating. Before you start the chain saw, make sure the saw chain is not contacting anything.** A moment of inattention while operating chain saws may cause entanglement of your clothing or body with the saw chain.
2. **Always hold the chain saw with your right hand on the rear handle and your left hand on the front handle.** Holding the chain saw with a reversed hand configuration increases the risk of personal injury and should never be done.
3. **Hold the power tool by insulated gripping surfaces only, because the saw chain may contact hidden wiring.** Saw chains contacting a "live" wire may make exposed metal parts of the power tool "live" and could give the operator an electric shock.
4. **Wear safety glasses and hearing protection. Further protective equipment for head, hands, legs and feet is recommended.** Adequate protective clothing will reduce personal injury by flying debris or accidental contact with the saw chain.
5. **Do not operate a chain saw in a tree.** Operation of a chain saw while up in a tree may result in personal injury.
6. **Always keep proper footing and operate the chain saw only when standing on fixed, secure and level surface.** Slippery or unstable surfaces such as ladders may cause a loss of balance or control of the chain saw.
7. **When cutting a limb that is under tension be alert for spring back.** When the tension in the wood fibres is released the spring loaded limb may strike the operator and/or throw the chain saw out of control.
8. **Use extreme caution when cutting brush and saplings.** The slender material may catch the saw chain and be whipped toward you or pull you off balance.
9. **Carry the chain saw by the front handle with the chain saw switched off and away from your body. When transporting or storing the chain saw always fit the guide bar cover.** Proper handling of the chain saw will reduce the likelihood of accidental contact with the moving saw chain.
10. **Follow instructions for lubricating, chain tensioning and changing accessories.** Improperly tensioned or lubricated chain may either break or increase the chance for kickback.
11. **Keep handles dry, clean, and free from oil and grease.** Greasy, oily handles are slippery causing loss of control.

12. **Cut wood only. Do not use chain saw for purposes not intended. For example: do not use chain saw for cutting plastic, masonry or non-wood building materials.** Use of the chain saw for operations different than intended could result in a hazardous situation.

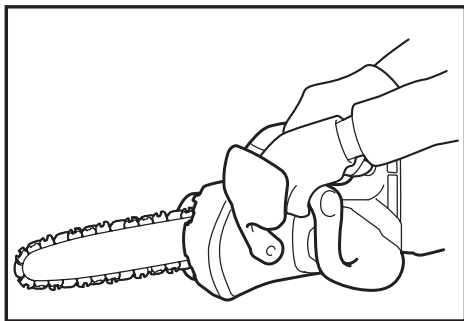
13. **Causes and Operator Prevention of Kickback:** Kickback may occur when the nose or tip of the guide bar touches an object, or when the wood closes in and pinches the saw chain in the cut. Tip contact in some cases may cause a sudden reverse reaction, kicking the guide bar up and back towards the operator.

Pinching the saw chain along the top of the guide bar may push the guide bar rapidly back towards the operator.

Either of these reactions may cause you to lose control of the saw which could result in serious personal injury. Do not rely exclusively upon the safety devices built into your saw. As a chain saw user, you should take several steps to keep your cutting jobs free from accident or injury.

Kickback is the result of tool misuse and/or incorrect operating procedures or conditions and can be avoided by taking proper precautions as given below:

- **Maintain a firm grip, with thumbs and fingers encircling the chain saw handles, with both hands on the saw and position your body and arm to allow you to resist kickback forces.** Kickback forces can be controlled by the operator, if proper precautions are taken. Do not let go of the chain saw.



- **Do not overreach and do not cut above shoulder height.** This helps prevent unintended tip contact and enables better control of the chain saw in unexpected situations.
- **Only use replacement bars and chains specified by the manufacturer.** Incorrect replacement bars and chains may cause chain breakage and/or kickback.
- **Follow the manufacturer's sharpening and maintenance instructions for the saw chain.** Decreasing the depth gauge height can lead to increased kickback.

14. Before starting work, check that the chain saw is in proper working order and that its condition complies with the safety regulations. Check in particular that:


- The chain brake is working properly;
  - The run-down brake is working properly;
  - The bar and the sprocket cover are fitted correctly;
  - The chain has been sharpened and tensioned in accordance with the regulations;
15. **Do not start the chain saw with the chain cover being installed on it.** Starting the chain saw with the chain cover being installed on it may cause the chain cover to be thrown out forward resulting in personal injury and damage to objects around the operator.

## SAVE THESE INSTRUCTIONS.

**⚠WARNING: DO NOT let comfort or familiarity with product (gained from repeated use) replace strict adherence to safety rules for the subject product. MISUSE or failure to follow the safety rules stated in this instruction manual may cause serious personal injury.**

## Symbols

The followings show the symbols used for tool.

V	volts
— ---	direct current
ft/min	feet per minute
	parts number of applicable saw chain and guide bar

## IMPORTANT SAFETY INSTRUCTIONS

### FOR BATTERY CARTRIDGE

1. **Before using battery cartridge, read all instructions and cautionary markings on (1) battery charger, (2) battery, and (3) product using battery.**
2. **Do not disassemble battery cartridge.**
3. **If operating time has become excessively shorter, stop operating immediately. It may result in a risk of overheating, possible burns and even an explosion.**
4. **If electrolyte gets into your eyes, rinse them out with clear water and seek medical attention right away. It may result in loss of your eyesight.**
5. **Do not short the battery cartridge:**
  - (1) **Do not touch the terminals with any conductive material.**
  - (2) **Avoid storing battery cartridge in a container with other metal objects such as nails, coins, etc.**
  - (3) **Do not expose battery cartridge to water or rain.**

A battery short can cause a large current flow, overheating, possible burns and even a breakdown.

6. Do not store the tool and battery cartridge in locations where the temperature may reach or exceed 50°C (122°F).
7. Do not incinerate the battery cartridge even if it is severely damaged or is completely worn out. The battery cartridge can explode in a fire.
8. Be careful not to drop or strike battery.
9. Do not use a damaged battery.
10. Follow your local regulations relating to disposal of battery.

## **SAVE THESE INSTRUCTIONS.**

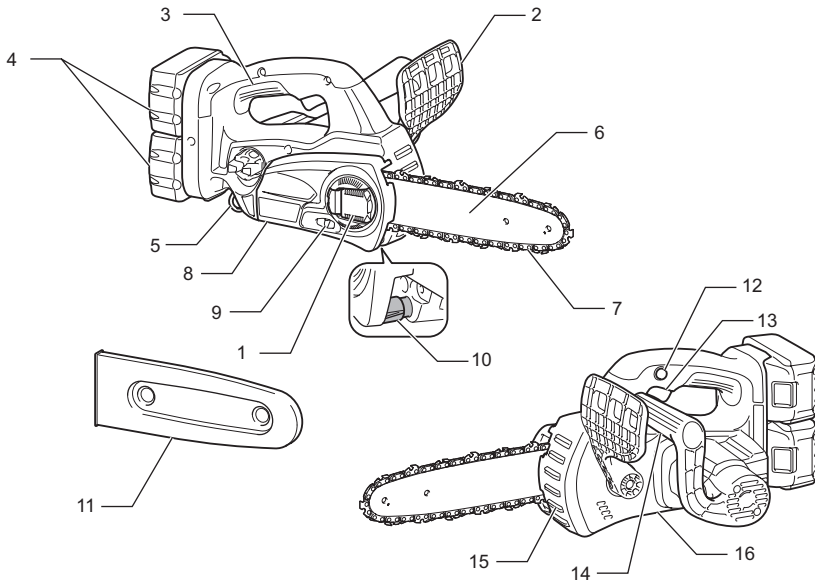
**⚠CAUTION: Only use genuine Makita batteries.**

Use of non-genuine Makita batteries, or batteries that have been altered, may result in the battery bursting causing fires, personal injury and damage. It will also void the Makita warranty for the Makita tool and charger.

## **Tips for maintaining maximum battery life**

1. Charge the battery cartridge before completely discharged.  
Always stop tool operation and charge the battery cartridge when you notice less tool power.
2. Never recharge a fully charged battery cartridge.  
Overcharging shortens the battery service life.
3. Charge the battery cartridge with room temperature at 10°C - 40°C (50°F - 104°F). Let a hot battery cartridge cool down before charging it.
4. Charge the battery cartridge if you do not use it for a long period (more than six months).

# Parts description



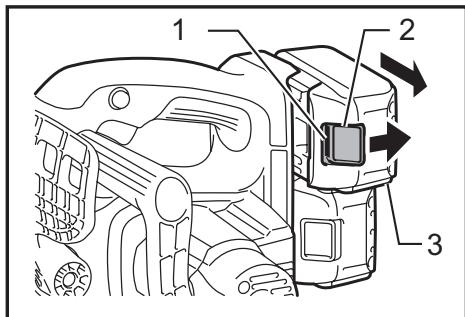
1	Lever	2	Front hand guard	3	Top handle
4	Battery cartridge	5	Carabinar (rope attachment point)	6	Guide bar
7	Saw chain	8	Sprocket cover	9	Adjusting dial
10	Chain catcher	11	Guide bar cover	12	Lock-off button
13	Switch trigger	14	Front handle	15	Spike bumper
16	Adjusting screw for oil pump (at the bottom)	-	-	-	-

# FUNCTIONAL DESCRIPTION

## CAUTION:

- Always be sure that the tool is switched off and the battery cartridge is removed before adjusting or checking function on the tool.

## Installing or removing battery cartridge



► 1. Red indicator 2. Button 3. Battery cartridge

## CAUTION:

- Always switch off the tool before installing or removing of the battery cartridge.
- **Hold the tool and the battery cartridge firmly when installing or removing battery cartridge.** Failure to hold the tool and the battery cartridge firmly may cause them to slip off your hands and result in damage to the tool and battery cartridge and a personal injury.

To remove the battery cartridge, slide it from the tool while sliding the button on the front of the cartridge. To install the battery cartridge, align the tongue on the battery cartridge with the groove in the housing and slip it into place. Insert it all the way until it locks in place with a little click. If you can see the red indicator on the upper side of the button, it is not locked completely.

## CAUTION:

- Always install the battery cartridge fully until the red indicator cannot be seen. If not, it may accidentally fall out of the tool, causing injury to you or someone around you.
- Do not install the battery cartridge forcibly. If the cartridge does not slide in easily, it is not being inserted correctly.

## NOTE:

- The tool does not work with only one battery cartridge.

## Tool / battery protection system

The tool is equipped with a tool/battery protection system. This system automatically cuts off power to the motor to extend tool and battery life.

The tool will automatically stop during operation if the tool or battery are placed under one of the following conditions. In some conditions, the indicators light up.

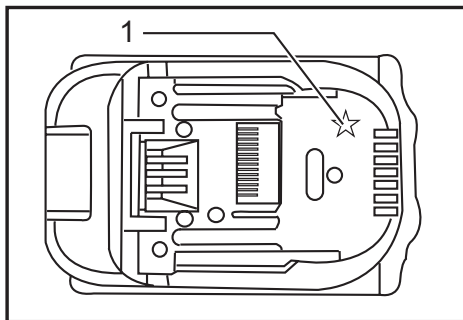
### Overload protection

When the tool is operated in a manner that causes it to draw an abnormally high current, the tool automatically stops without any indication. In this situation, turn the tool off and stop the application that caused the tool to become overloaded. Then turn the tool on to restart.

### Overheat protection for battery / tool

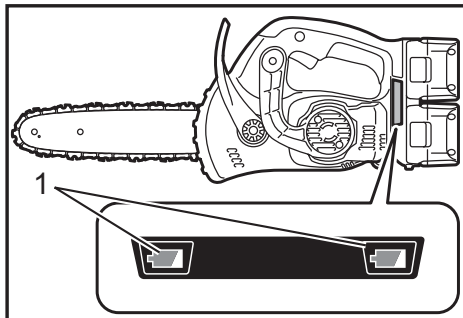
When the battery / tool is overheated, the tool stops automatically without any indication. The tool does not start even if pulling the switch trigger. In this situation, let the battery / tool cool before turning the tool on again.

**NOTE:** The battery overheat protection works only with a battery cartridge with a star marking.



► 1. Star marking

### Overdischarge protection

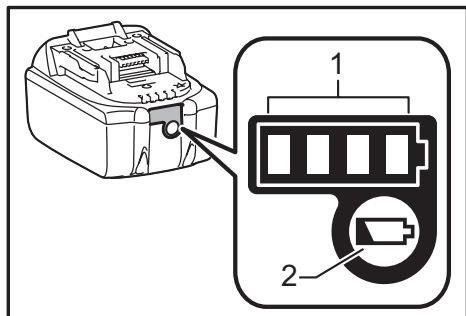


► 1. Battery indicator

When the remaining battery capacity gets low, the battery indicator blinks on the applicable battery side. By further use, the tool stops and the battery indicator lights up about 10 seconds. In this situation, charge the battery cartridge.

## Indicating the remaining battery capacity

(Only for battery cartridges with "B" at the end of the model number.)



► 1. Indicator lamps 2. CHECK button

Press the check button on the battery cartridge to indicate the remaining battery capacity. The indicator lamps light up for few seconds.

Indicator lamps			Remaining capacity
Lighted	Off	Blinking	
■ ■ ■ ■			75% to 100%
■ ■ ■ □			50% to 75%
■ ■ □ □			25% to 50%
■ □ □ □			0% to 25%
▬ □ □ □			Charge the battery.
■ □ □ □	↑ ↓		The battery may have malfunctioned.
□ □ ■ ■			

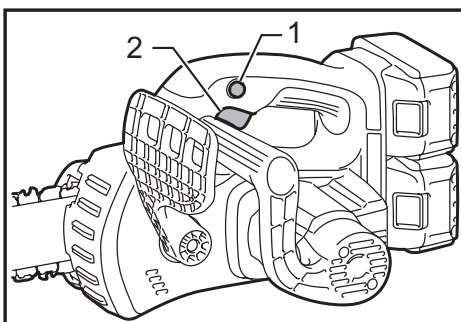
### NOTE:

- Depending on the conditions of use and the ambient temperature, the indication may differ slightly from the actual capacity.

## Switch action

### CAUTION:

- Before inserting the battery cartridge into the tool, always check to see that the switch trigger actuates properly and returns to the "OFF" position when released.



► 1. Lock-off button 2. Switch trigger

To prevent the switch trigger from being accidentally pulled, a lock-off button is provided.

To start the tool, depress the lock-off button and pull the switch trigger. Release the switch trigger to stop.

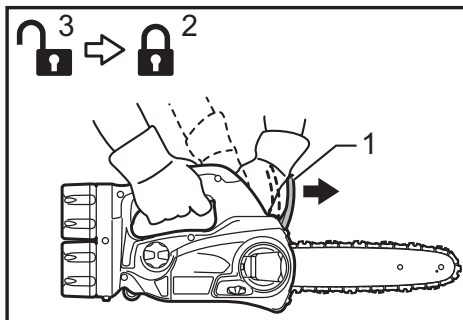
## Checking the chain brake

### NOTE:

- If the chain saw fails to start, the chain brake must be released. Pull the front hand guard backwards firmly until you feel it engage.

Hold the chain saw with both hands when switching it on. Hold the top handle with your right hand, the front handle with your left. The bar and the chain must not be in contact with any object.

First press the lock-off button, then the switch trigger. The saw chain starts immediately.



► 1. Front hand guard 2. Lock 3. Unlock

Press the front hand guard forwards using the back of your hand. The saw chain must come to an immediate standstill.

### CAUTION:

- Should the saw chain not stop immediately when this test is performed, the saw may not be used under any circumstances. Consult a MAKITA specialist repair shop.

## Checking the run-down brake

Switch on the chain saw.

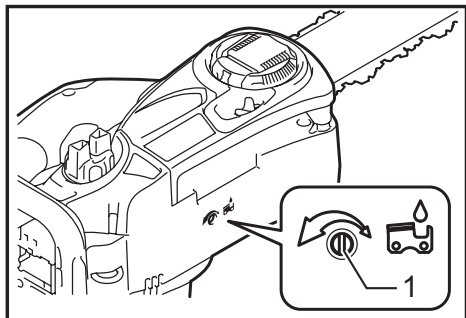
Release the switch trigger completely. The saw chain must come to a standstill within one second.



### **CAUTION:**

- Should the saw chain not come to a stop within one second when this test is performed, the saw must not be used. Consult a MAKITA specialist repair shop.

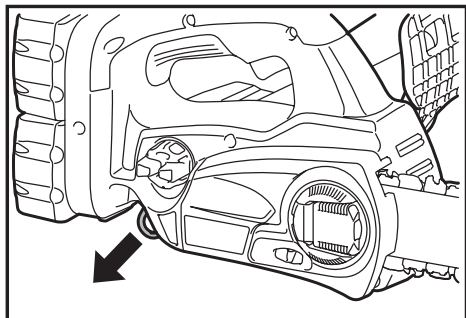
## Adjusting the chain lubrication



► 1. Adjusting screw

You can adjust the oil pump feed rate with the adjusting screw. The amount of oil can be adjusted using the universal wrench.

## Carabiner (rope attachment point)



Carabiner (Rope attachment point) is for use of tool hanging. Before using carabiner, pull it out and tie it with a rope.

## ASSEMBLY

### **CAUTION:**

- Always be sure that the tool is switched off and the battery cartridge is removed before carrying out any work on the tool.

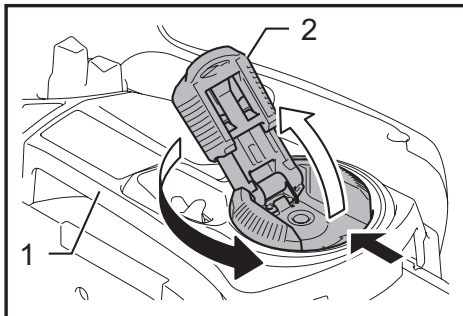
## Removing or installing saw chain

### **CAUTION:**

- Always wear gloves when installing or removing the saw chain.
- The saw chain and the guide bar are still hot just after the operation. Let them cool down enough before carrying out any work on the tool.

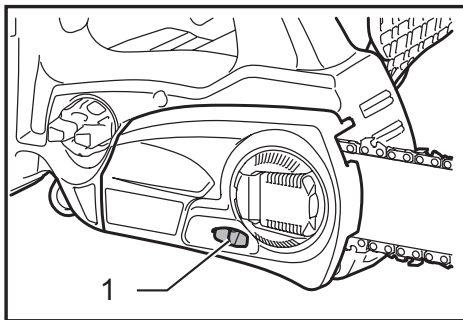
To remove the saw chain, perform the following steps:

1. Press and fully open the lever until it stops.



► 1. Sprocket cover 2. Lever

2. Turn the adjusting dial to "-" direction to release the saw chain tension.

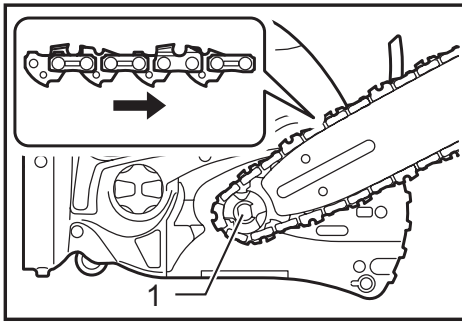


► 1. Adjusting dial

3. Turn the lever counterclockwise to loosen the sprocket cover until it comes off.
4. Remove the sprocket cover.
5. Remove the saw chain and guide bar from the chain saw.

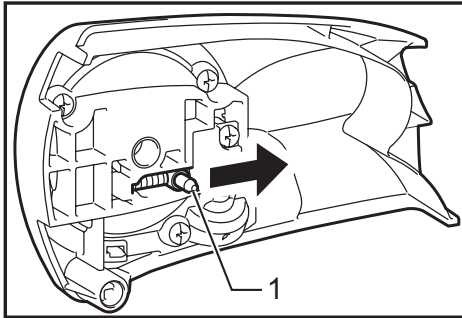
To install the saw chain, perform the following steps:

6. Make sure the direction of the chain. The arrow mark on the chain shows the direction of the chain.



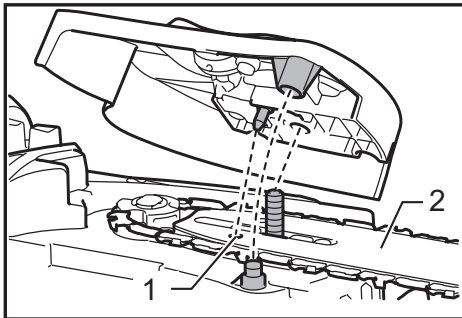
► 1. Sprocket

7. Fit in one end of the saw chain on the top of the guide bar and the other end of it around the sprocket.
8. Rest the guide bar in place on the chain saw.
9. Turn the adjusting dial to "-" direction to slide the adjusting pin in the direction of arrow.



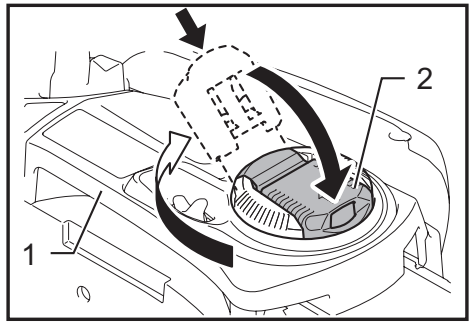
► 1. Adjusting pin

10. Place the sprocket cover on the chain saw so that the adjusting pin is positioned in a small hole in the guide bar.



► 1. Hole 2. Guide bar

11. Turn the lever clockwise fully and a quarter turn back to keep looseness for adjusting chain tension.
12. Turn the adjusting dial, and adjust the chain tension.
13. Turn the lever clockwise to secure the sprocket cover.



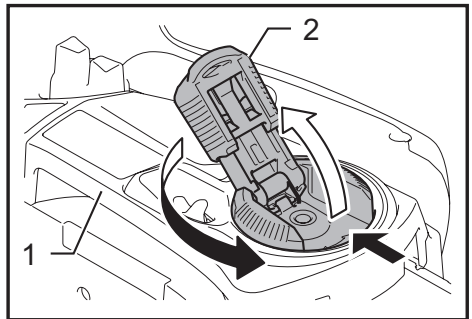
► 1. Sprocket cover 2. Lever

14. Press and return the lever to its original position.

## Adjusting saw chain tension

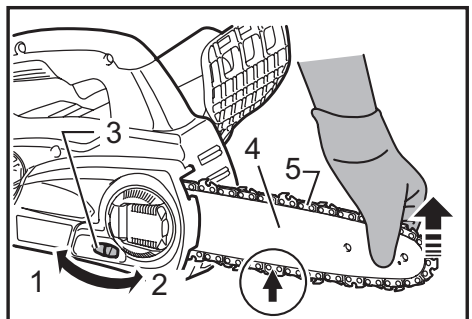
The saw chain may become loose after many hours of use. From time to time check the saw chain tension before use.

1. Press and fully open the lever until it clicks. Turn it counterclockwise a little to loosen sprocket cover lightly.



► 1. Sprocket cover 2. Lever

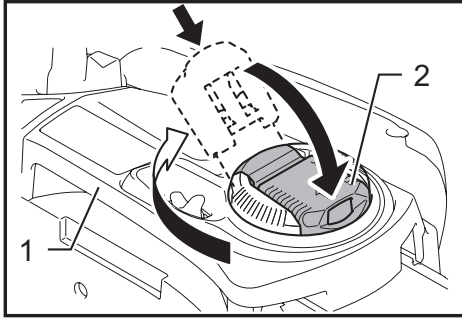
2. Lift up the guide bar tip slightly.



► 1. Loosen 2. Tighten 3. Adjusting dial 4. Guide bar 5. Saw chain

3. Turn the adjusting dial to adjust the saw chain tension. Tighten the saw chain until the lower side of the saw chain fits in the guide bar rail (see circle in the figure).

4. Keep holding the guide bar lightly and tighten the sprocket cover after adjusting the chain tension. Make sure that the saw chain does not loose at lower side.
5. Press and return the lever to its original position.



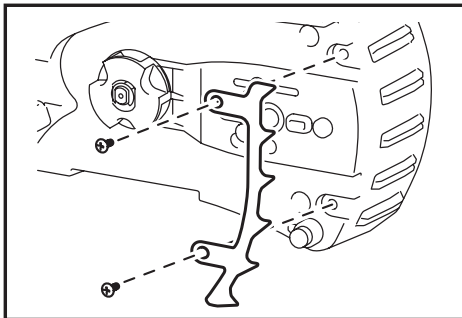
► 1. Sprocket cover 2. Lever

Make sure the saw chain fits snugly against the lower side of the bar.

**CAUTION:**

- Do not tighten the saw chain too much. Excessively high tension of saw chain may cause breakage of saw chain, wear of the guide bar and breakage of the adjusting dial.
- A chain which is too loose can jump off the bar, and therefore presents an accident risk.
- Carry out the procedure of installing or removing saw chain in a clean place free from sawdust and the like.

**Spike bumper (optional accessory)**



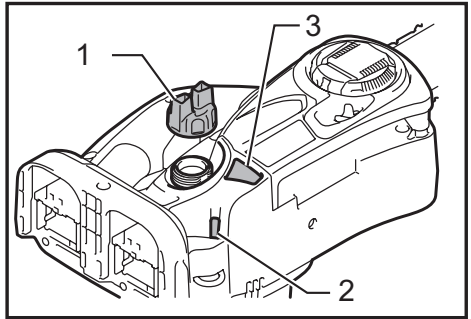
To install spike bumper, perform the following steps:

1. Remove the sprocket cover, saw chain and guide bar as described in this instruction manual.
2. Place the spike bumper, with the spikes facing upwards, so that its holes line up with the holes provided on the chain saw.
3. Tighten the spike bumper with the two screws provided.

**OPERATION**

**CAUTION:** Do not cover vents, or it may cause overheating and damage to the tool.

**Lubrication**



► 1. Oil tank cap 2. Oil inspection window ( for refilling the tank with oil) 3. Oil inspection window

Saw chain is automatically lubricated when the tool is in operation.

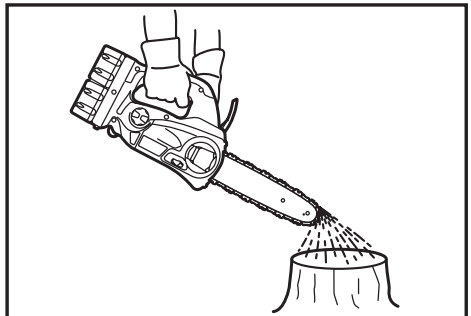
Check the amount of remaining oil in the oil tank through the oil inspection window.

To refill the tank, remove the cap from the oil tank opening.

After refilling the tank, always screw the provided oil tank cap on the chain saw.

**CAUTION:**

- When filling the chain saw with chain oil for the first time, or refilling the tank after it has been completely emptied, add oil up to the bottom edge of the filler neck. The oil delivery may otherwise be impaired.
- As a saw chain oil, use oil exclusively for Makita chain saws or oil available in market.
- Never use oil including dust and particles or volatile oil.
- When pruning trees, use botanical oil. Mineral oil may harm trees.
- Never force the chain saw when pruning trees.
- Before cutting out, make sure that the provided oil tank cap is screwed in place.



Hold the chain saw away from the tree. Start it and wait until lubrication on saw chain is adequate.

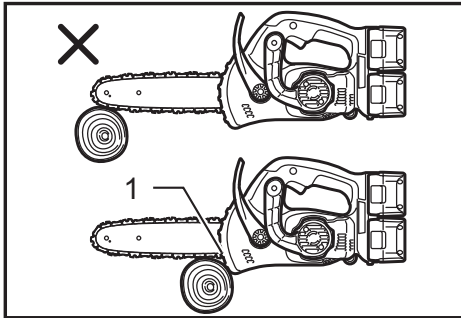
Bring the spike bumper into contact with the branch to be cut before switching on. Otherwise it may cause the guide bar to wobble, resulting in injury to operator. Saw the wood to be cut by just moving it down.

## WORKING WITH THE CHAIN SAW

### ⚠ CAUTION:

- The first time user should, as a minimum practice, do cutting logs on a saw-horse or cradle.
- When sawing precut timber use a safe support (saw horse or cradle). Do not steady the workpiece with your foot, and do not allow anyone else to hold or steady it.
- Secure round pieces against rotation.

## Pruning trees

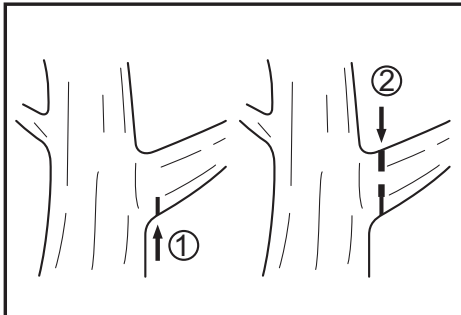


► 1. Spike bumper

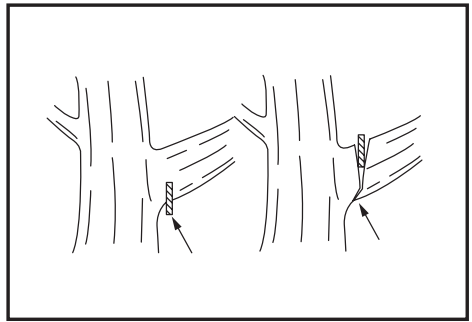
### ⚠ CAUTION:

- Keep all parts of the body away from the saw chain when the motor is operating.
- Hold the chain saw firmly with both hands when the motor is running.
- Do not overreach. Keep proper footing and balance at all times.

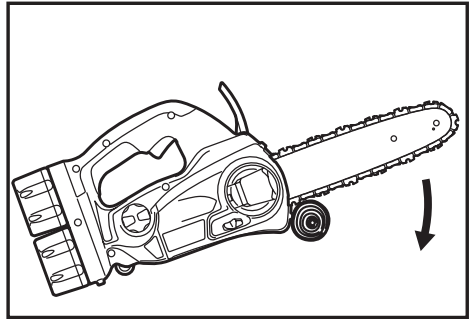
Bring the spike bumper into contact with the branch to be cut before switching on. Cutting without bringing the spike bumper into contact with the branch may cause the guide bar to wobble, resulting in injury to operator.



When cutting thick branches, first make a shallow undercut and then make the finish cut from the top.

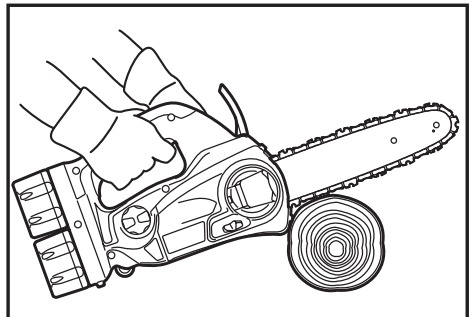


If you try to cut off thick branches from the bottom, the branch may close in and pinch the saw chain in the cut. If you try to cut off thick branches from the top without a shallow undercut, the branch may splinter.

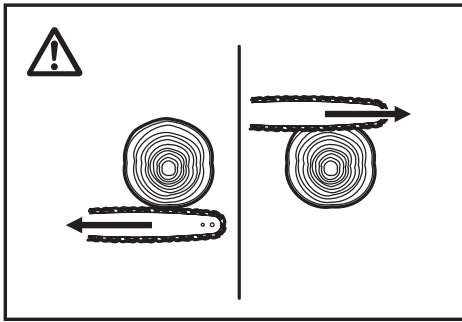


If you cannot cut the timber right through with a single stroke: Apply light pressure to the handle and continue sawing and draw the chain saw back a little; then apply the spike a little lower and finish the cut by raising the handle.

## Bucking

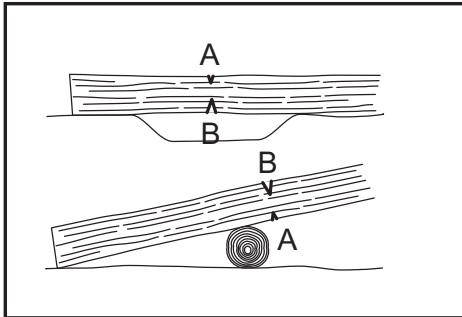


For bucking cuts, rest the spike bumper shown in the figure on the wood to be cut. With the saw chain running, saw into the wood, using the top handle to raise the saw and the front one to guide it. Use the spike bumper as a pivot. Continue the cut by applying slight pressure to the front handle, easing the saw back slightly. Move the spike bumper further down the timber and raise the front handle again. When making several cuts, switch the chain saw off between cuts.



### ⚠ CAUTION:

- If the upper edge of the bar is used for cutting, the chain saw may be deflected in your direction if the chain becomes trapped. For this reason, cut with the lower edge, so that the saw will be deflected away from your body.



Cut wood under tension on the pressure side (A) first. Then make the final cut on the tension side (B). This prevents the bar from becoming trapped.

## Limbing

### ⚠ CAUTION:

- Limbing may only be performed by trained persons. A hazard is presented by the risk of kick-back.

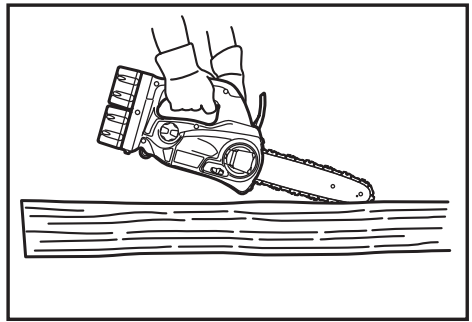
When limbing, support the chain saw on the trunk if possible. Do not cut with the tip of the bar, as this presents a risk of kickback.

Pay particular attention to branches under tension. Do not cut unsupported branches from below. Do not stand on the felled trunk when limbing.

## Burrowing and parallel-to-grain cuts

### ⚠ CAUTION:

- Burrowing and parallel-to-grain cuts may only be carried out by persons with special training. The possibility of kickback presents a risk of injury.



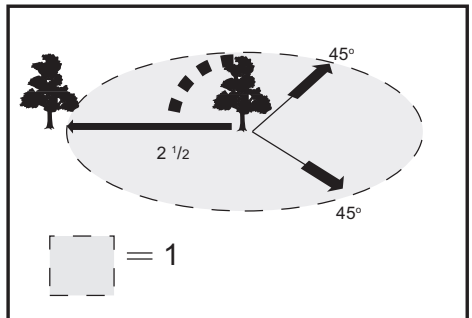
Perform parallel-to-grain cuts as shallow an angle as possible. Carry out the cut as carefully as possible, as the spike bumper cannot be used.

## Felling

### ⚠ CAUTION:

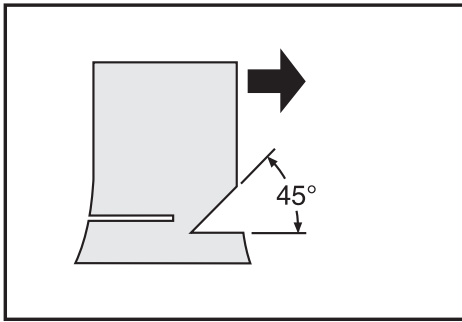
- Felling work may only be performed by trained persons. The work is hazardous.

Observe local regulations if you wish to fell a tree.

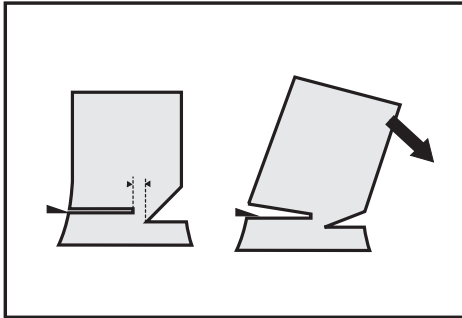


### ► 1. Felling area

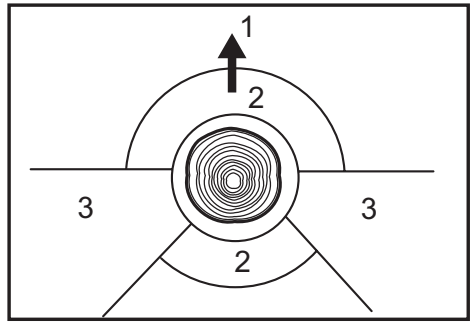
- Before starting felling work, ensure that:
  - (1) Only persons involved in the felling operation are in the vicinity;
  - (2) Any person involved has an unhindered path of retreat through a range of approximately 45 ° either side of the felling axis. Consider the additional risk of tripping over electrical cables;
  - (3) The base of the trunk is free of foreign objects, roots and ranches;
  - (4) No persons or objects are present over a distance of 2 1/2 tree lengths in the direction in which the tree will fall.
- Consider the following with respect to each tree:
  - Direction of lean;
  - Loose or dry branches;
  - Height of the tree;
  - Natural overhang;
  - Whether or not the tree is rotten.
- Consider the wind speed and direction. Do not carry out felling work if the wind is gusting strongly.
- Trimming of root swellings: Begin with the largest swellings. Make the vertical cut first, then the horizontal cut.



- Cut a scarf: The scarf determines the direction in which the tree will fall, and guides it. It is made on the side towards which the tree is to fall. Cut the scarf as close to the ground as possible. First make the horizontal cut to a depth of 1/5 - 1/3 of the trunk diameter. Do not make the scarf too large. Then make the diagonal cut.
- Cut any corrections to the scarf across its entire width.

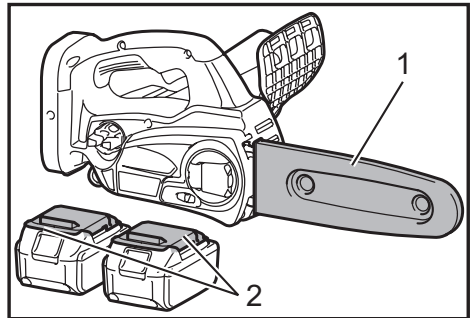


- Make the back cut a little higher than the base cut of the scarf. The back cut must be exactly horizontal. Leave approximately 1/10 of the trunk diameter between the back cut and the scarf. The wood fibers in the uncut trunk portion act as a hinge. Do not cut right through the fibers under any circumstances, as the tree will otherwise fall unchecked. Insert wedges into the back cut in time.
- Only plastic or aluminum wedges may be used to keep the back cut open. The use of iron wedges is prohibited.
- Stand to the side of the falling tree. Keep an area clear to the rear of the falling tree up to an angle of 45° either side of the tree axis (refer to the "felling area" figure). Pay attention to falling branches.
- An escape path should be planned and cleared as necessary before cuts are started. The escape path should extend back and diagonally to the rear of the expected line of fall as illustrated in figure.



- 1. Felling direction 2. Danger zone 3. Escape route

## Carrying tool



- 1. Guide bar cover 2. Battery cover

Always remove the battery cartridge from the tool and overlap the guide bar with the guide bar cover before carrying the tool. Also cover the battery cartridge with the battery cover.

## MAINTENANCE

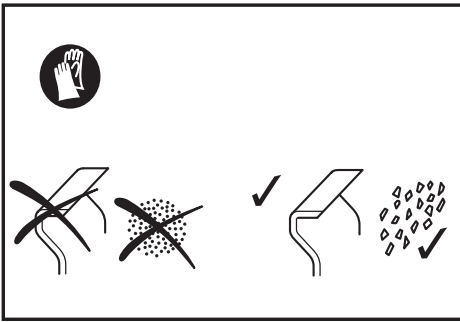
### ⚠ CAUTION:

- Always be sure that the tool is switched off and the battery cartridge is removed before attempting to perform inspection or maintenance.
- Always wear gloves when performing any inspection or maintenance.
- Never use gasoline, benzine, thinner, alcohol or the like. Discoloration, deformation or cracks may result.

## Sharpening the saw chain

### ⚠ CAUTION:

- Always remove the battery cartridge and wear safety gloves when performing work on the saw chain.



## Sharpen the saw chain when:

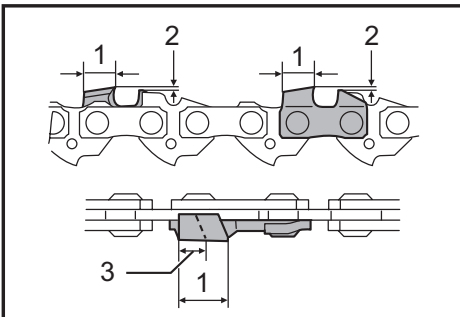
- Mealy sawdust is produced when damp wood is cut;
- The chain penetrates the wood with difficulty, even when heavy pressure is applied;
- The cutting edge is obviously damaged;
- The saw pulls to the left or right in the wood. The reason for this behaviour is uneven sharpening of the saw chain, or damage to one side only.

## Sharpen the saw chain frequently, but remove only a little material each time.

Two or three strokes with a file are usually sufficient for routine resharpenering. When the saw chain has been resharpenered several times, have it sharpened in a MAKITA specialist repair shop.

## Sharpening criteria:

- All cutter length must be equal. Cutters of differing length prevent the chain from running smoothly, and may cause the chain to break.
- Do not sharpen the chain once a minimum cutter length of 3 mm has been reached. A new chain must then be fitted.
- The chip thickness is determined by the distance between the depth gauge (round nose) and the cutting edge.
- The best cutting results are obtained with following distance between cutting edge and depth gauge.  
Chain blade 90PX: 0.5 mm (0.016")  
Chain blade 91PX: 0.65 mm (0.025")

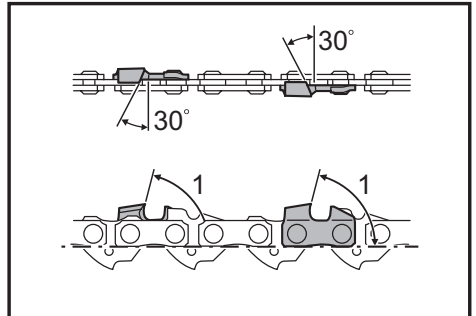


- 1. Cutting length 2. Distance between cutting edge and depth gauge 3. Minimum 3 mm

## ▲WARNING:

- An excessive distance increases the risk of kick-back.

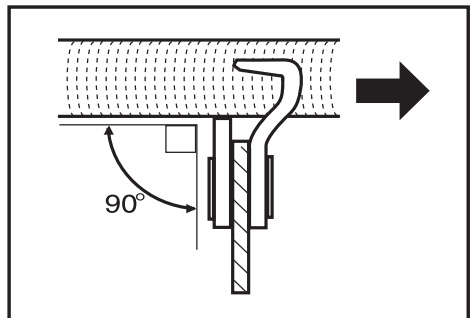
- The sharpening angle of 30° must be the same on all cutters. Differences in angle cause the chain to run roughly and unevenly, accelerate wear, and lead to chain breaks.
- The side plate angle of the cutter is determined by the depth of penetration of the round file. If the specified file is used properly, the correct side plate angle is produced automatically.
- Side plate angle for each saw chain are as follows:  
Chain blade 90PX: 75°  
Chain blade 91PX: 80°



- 1. Side plate angle

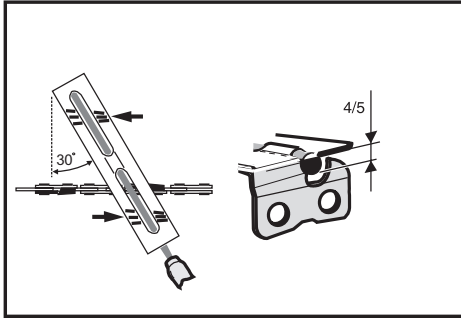
## File and file guiding

- Use a special round file (optional accessory) for saw chains to sharpen the chain. Normal round files are not suitable.
- Diameter of the round file for each saw chain is as follows:  
Chain blade 90PX: 4.5 mm (3/16")  
Chain blade 91PX: 4.0 mm (11/64")
- The file should only engage the cutter on the forward stroke. Lift the file off the cutter on the return stroke.
- Sharpen the shortest cutter first. Then the length of this shortest cutter becomes the standard for all other cutters on the saw chain.

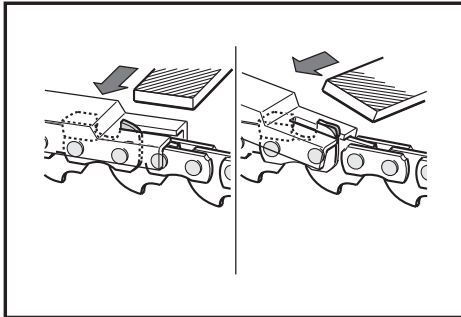




- Guide the file as shown in the figure.
- The file can be guided more easily if a file holder (optional accessory) is employed. The file holder has markings for the correct sharpening angle of 30° (align the markings parallel to the saw chain) and limits the depth of penetration (to 4/5 of the file diameter).

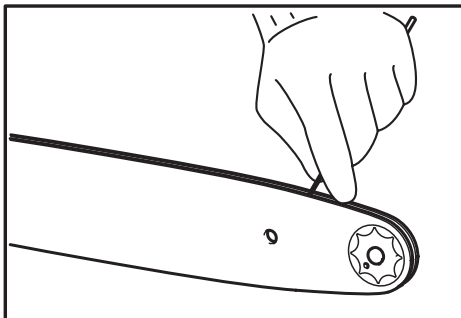


- After sharpening the chain, check the height of the depth gauge using the chain gauge tool (optional accessory).



- Remove any projecting material, however small, with a special flat file (optional accessory).
- Round off the front of the depth gauge again.

## Cleaning guide bar



Chips and sawdust will build up in the guide bar groove, clogging it and impairing oil flow. Always clean out the chips and sawdust when sharpening or replacing the saw chain.

## Cleaning the oil discharge hole

Small dust or particles may be built up in the oil discharge hole during operation.

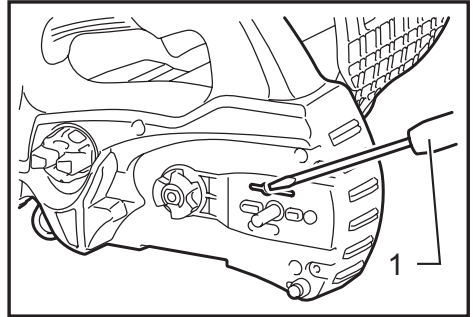
Small dust or particles built up in the oil discharge hole may impair the oil discharge flow and cause an insufficient lubrication on the whole saw chain.

When a poor chain oil delivery occurs at the top of guide bar, clean the oil discharge hole as follows.

Remove the battery cartridge from the tool.

Remove the sprocket cover and saw chain from the tool.

(Refer to the section titled "Installing or removing saw chain".)



- 1. Slotted screwdriver

Remove the small dust or particles using a slotted screwdriver with a slender shaft or the like.

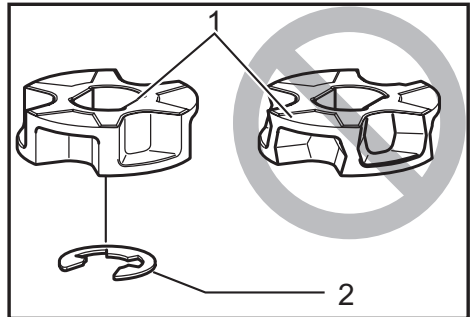
Insert the battery cartridge into the tool.

Pull the switch trigger to flow built-up dust or particles off the oil discharge hole by discharging chain oil.

Remove the battery cartridge from the tool.

Reinstall the sprocket cover and saw chain on the tool.

## Replacing the sprocket



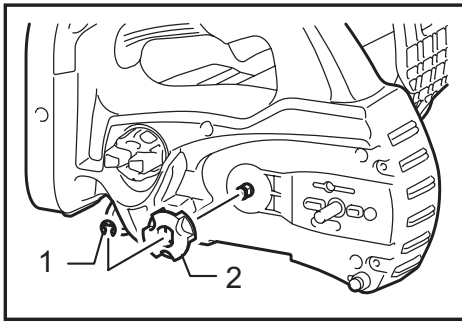
- 1. Sprocket 2. Locking ring

Before fitting a new saw chain, check the condition of the sprocket.

### CAUTION:

- A worn sprocket will damage a new saw chain. Have the sprocket replaced in this case. The sprocket needs to be installed so that it always faces as shown in the figure.

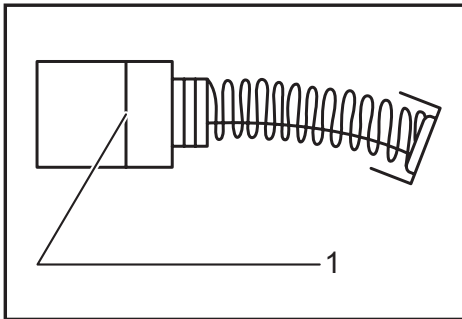




► 1. Locking ring 2. Sprocket

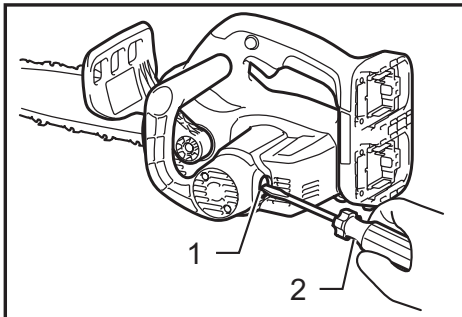
Always fit a new locking ring when replacing the sprocket.

## Replacing carbon brushes



► 1. Limit mark

Remove and check the carbon brushes regularly. Replace when they wear down to the limit mark. Keep the carbon brushes clean and free to slip in the holders. Both carbon brushes should be replaced at the same time. Use only identical carbon brushes.



► 1. Brush holder cap 2. Screwdriver

Use a screwdriver to remove the brush holder caps. Take out the worn carbon brushes, insert the new ones and secure the brush holder caps.

## Storing tool

Clean the tool before storing. Remove any chips and sawdust from the tool after removing the sprocket cover. After cleaning the tool, run it under no load to lubricate the saw chain and guide bar.

Cover the guide bar with the guide bar cover.

Remove oil from the oil tank to empty it and place the chain saw.

To maintain product SAFETY and RELIABILITY, repairs, any other maintenance or adjustment should be performed by Makita Authorized or Factory Service Centers, always using Makita replacement parts.

## Instructions for periodic maintenance

To ensure long life, prevent damage and ensure the full functioning of the safety features the following maintenance must be performed regularly.

Warranty claims can be recognized only if this work is performed regularly and properly. Failure to perform the prescribed maintenance work can lead to accidents!

The user of the chain saw must not perform maintenance work which is not described in the instruction manual. All such work must be carried out by authorized service centre.

Item	Operating time	Before operation	Everyday	Every week	Every 3 month	Annually	Before storage
Chain saw	Inspection.	○					
	Cleaning.		○				
	Check at authorized service center.					○	○
Saw chain	Inspection.	○					
	Sharpening if necessary.						○
Guide bar	Inspection.	○	○				
	Remove from the chain saw.						○
Chain brake	Check the function.	○					
	Have it inspected regularly at authorized service center.				○		
Chain lubrication	Check the oil feed rate.	○					
Switch trigger	Inspection.	○					
Lock-off button	Inspection.	○					
Oil tank cap	Check tightness.	○					
Chain catcher	Inspection.			○			
Screws and nuts	Inspection.			○			

## TROUBLE SHOOTING

Before asking for repairs, conduct your own inspection first. If you find a problem that is not explained in the manual, do not attempt to dismantle the tool. Instead, ask Makita Authorized Service Centers, always using Makita replacement parts for repairs.

Malfuction status	Cause	Action
Chain saw does not start.	Two battery cartridges are not installed.	Install the charged battery cartridges.
	Battery problem (under voltage).	Recharge the battery cartridge. If recharging is not effective, replace battery cartridge.
Chain does not run.	Chain brake activated.	Release chain brake.
Motor stops running after a little use.	Battery's charge level is low.	Recharge the battery cartridge. If recharging is not effective, replace battery cartridge.
No oil on the chain.	Oil tank is empty.	Fill the oil tank.
	Oil guide groove is dirty.	Clean the groove.
	Oil delivery is not adjusted properly.	Adjust amount of oil delivery.
It does not reach maximum RPM.	Battery cartridge is installed improperly.	Install the battery cartridge as described in this manual.
	Battery power is dropping.	Recharge the battery cartridge. If recharging is not effective, replace battery cartridge.
	The drive system does not work correctly.	Ask your local authorized service center for repair.
Chain does not stop even the chain brake is activated: Stop the machine immediately!	Brake band worn down.	Ask your local authorized service center for repair.
Abnormal vibration: Stop the machine immediately!	Loose guide bar or saw chain.	Adjust the guide bar and saw chain tension.
	Tool malfunction.	Ask your local authorized service center for repair.

# OPTIONAL ACCESSORIES

## **⚠ CAUTION:**

- These accessories or attachments are recommended for use with your Makita tool specified in this manual. The use of any other accessories or attachments might present a risk of injury to persons. Only use accessory or attachment for its stated purpose.

If you need any assistance for more details regarding these accessories, ask your local Makita Service Center.

- Makita genuine battery and charger
- Saw chain
- Guide bar
- Guide bar cover
- File
- Tool bag

## **NOTE:**

- Some items in the list may be included in the tool package as standard accessories. They may differ from country to country.

## MAKITA LIMITED ONE YEAR WARRANTY

### Warranty Policy

Every Makita tool is thoroughly inspected and tested before leaving the factory. It is warranted to be free of defects from workmanship and materials for the period of ONE YEAR from the date of original purchase. Should any trouble develop during this one year period, return the COMPLETE tool, freight prepaid, to one of Makita's Factory or Authorized Service Centers. If inspection shows the trouble is caused by defective workmanship or material, Makita will repair (or at our option, replace) without charge.

This Warranty does not apply where:

- repairs have been made or attempted by others:
- repairs are required because of normal wear and tear:
- the tool has been abused, misused or improperly maintained:
- alterations have been made to the tool.

IN NO EVENT SHALL MAKITA BE LIABLE FOR ANY INDIRECT, INCIDENTAL OR CONSEQUENTIAL DAMAGES FROM THE SALE OR USE OF THE PRODUCT. THIS DISCLAIMER APPLIES BOTH DURING AND AFTER THE TERM OF THIS WARRANTY.

MAKITA DISCLAIMS LIABILITY FOR ANY IMPLIED WARRANTIES, INCLUDING IMPLIED WARRANTIES OF "MERCHANTABILITY" AND "FITNESS FOR A SPECIFIC PURPOSE," AFTER THE ONE YEAR TERM OF THIS WARRANTY.

This Warranty gives you specific legal rights, and you may also have other rights which vary from state to state. Some states do not allow the exclusion or limitation of incidental or consequential damages, so the above limitation or exclusion may not apply to you. Some states do not allow limitation on how long an implied warranty lasts, so the above limitation may not apply to you.

# SPÉCIFICATIONS

Modèle		DUC252		DUC302	
Vitesse de la chaîne		8,3 m/s (500 m/min) (1 650 pi/min)			
Longueur de guide-chaîne		250 mm (10")		300 mm (12")	
No de pièce du guide-chaîne		168408-5		165245-8	
Type de guide-chaîne		Guide-chaîne à pignon de renvoi			
Chaîne	type	91PX		90PX	
	Pas	3/8"		3/8"	
	Nombre de maillons d'entraînement	40		46	
Nombre de dents		6		6	
Longueur totale (sans guide-chaîne)		316 mm (12-1/2")			
Poids net		4,1 kg (9,0 lbs)	4,6 kg (10,2 lbs)	4,1 kg (9,0 lbs)	4,7 kg (10,3 lbs)
Batteries standard		BL1815N / BL1820 / BL1820B	BL1830 / BL1830B / BL1840 / BL1840B / BL1850 / BL1850B / BL1860B	BL1815N / BL1820 / BL1820B	BL1830 / BL1830B / BL1840 / BL1840B / BL1850 / BL1850B / BL1860B
Tension nominale		C.C. 36 V			

- Étant donné l'évolution constante de notre programme de recherche et de développement, les spécifications contenues dans ce manuel sont sujettes à modification sans préavis.
- Les caractéristiques techniques et la batterie peuvent varier suivant les pays.
- Poids, batterie comprise, conforme à la procédure EPTA de 01/2003

## Consignes de sécurité générales pour outils électriques

**⚠ MISE EN GARDE** Veuillez lire toutes les mises en garde de sécurité et toutes les instructions. L'ignorance des mises en garde et des instructions comporte un risque de choc électrique, d'incendie et/ou de blessure grave.

## Conservez toutes les mises en garde et instructions pour référence future.

Le terme « outil électrique » qui figure dans les avertissements fait référence à un outil électrique branché sur une prise de courant (par un cordon d'alimentation) ou alimenté par batterie (sans fil).

### Sécurité de la zone de travail

1. **Maintenez la zone de travail propre et bien éclairée.** Les zones de travail encombrées ou sombres ouvrent grande la porte aux accidents.
2. **N'utilisez pas les outils électriques dans les atmosphères explosives, par exemple en présence de liquides, gaz ou poussières inflammables.** Les outils électriques produisent des étincelles au contact desquelles la poussière ou les vapeurs peuvent s'enflammer.
3. **Assurez-vous qu'aucun enfant ou curieux ne s'approche pendant que vous utilisez un outil électrique.** Vous risquez de perdre la maîtrise de l'outil si votre attention est détournée.

### Sécurité en matière d'électricité

4. **Les fiches d'outil électrique sont conçues pour s'adapter parfaitement aux prises de courant. Ne modifiez jamais la fiche de quelque façon que ce soit. N'utilisez aucun adaptateur de fiche sur les outils électriques avec mise à la terre.** En ne modifiant pas les fiches et en les insérant dans des prises de courant pour lesquelles elles ont été conçues vous réduirez les risques de choc électrique.
5. **Évitez tout contact corporel avec les surfaces mises à la terre, telles que les tuyaux, radiateurs, cuisinières et réfrigérateurs.** Le risque de choc électrique est plus élevé si votre corps se trouve mis à la terre.
6. **N'exposez pas les outils électriques à la pluie ou à l'eau.** La présence d'eau dans un outil électrique augmente le risque de choc électrique.
7. **Ne maltraitez pas le cordon. N'utilisez jamais le cordon pour transporter, tirer ou débrancher l'outil électrique. Maintenez le cordon à l'écart des sources de chaleur, de l'huile, des objets à bords tranchants et des pièces en mouvement.** Le risque de choc électrique est plus élevé lorsque les cordons sont endommagés ou enchevêtrés.
8. **Lorsque vous utilisez un outil électrique à l'extérieur, utilisez un cordon prolongateur prévu à cette fin.** Les risques de choc électrique sont moindres lorsqu'un cordon conçu pour l'extérieur est utilisé.
9. **Si vous devez utiliser un outil électrique dans un endroit humide, utilisez une source d'alimentation protégée par un disjoncteur de fuite à la terre.** L'utilisation d'un disjoncteur de fuite à la terre réduit le risque de choc électrique.

## Sécurité personnelle

10. **Restez alerte, attentif à vos mouvements et faites preuve de bon sens lorsque vous utilisez un outil électrique.** Évitez d'utiliser un outil électrique si vous êtes fatigué ou si vous avez pris une drogue, de l'alcool ou un médicament. Un moment d'inattention pendant l'utilisation d'un outil électrique peut entraîner une grave blessure.
11. **Portez des dispositifs de protection personnelle. Portez toujours un protecteur pour la vue.** Les risques de blessure seront moins élevés si vous utilisez des dispositifs de protection tels qu'un masque antipoussières, des chaussures à semelle antidérapante, une coiffure résistante ou une protection d'oreilles.
12. **Évitez les démarrages accidentels. Assurez-vous que l'interrupteur soit en position d'arrêt avant de brancher l'outil à la prise électrique et/ou au bloc-piles, avant de prendre ou de transporter l'outil.** Vous ouvrez la porte aux accidents si vous transportez les outils électriques avec le doigt sur l'interrupteur ou si vous les branchez alors que l'interrupteur est en position de marche.
13. **Retirez toute clé de réglage ou de serrage avant de mettre l'outil sous tension.** Toute clé laissée en place sur une pièce rotative de l'outil électrique peut entraîner une blessure.
14. **Maintenez une bonne position. Assurez-vous d'une bonne prise au sol et d'une bonne position d'équilibre en tout temps.** Cela vous permettra d'avoir une meilleure maîtrise de l'outil dans les situations imprévues.
15. **Portez des vêtements adéquats. Ne portez ni vêtements amples ni bijoux. Vous devez maintenir cheveux, vêtements et gants à l'écart des pièces en mouvement.** Les pièces en mouvement peuvent happer les vêtements amples, les bijoux et les cheveux longs.
16. **Si des accessoires sont fournis pour raccorder un appareil d'aspiration et de collecte de la poussière, assurez-vous qu'ils sont correctement raccordés et qu'ils sont utilisés de manière adéquate.** L'utilisation d'un appareil d'aspiration permet de réduire les risques liés à la présence de poussière dans l'air.

## Utilisation et entretien des outils électriques

17. **Ne forcez pas l'outil électrique. Utilisez l'outil électrique adéquat suivant le type de travail à effectuer.** Si vous utilisez l'outil électrique adéquat et respectez le régime pour lequel il a été conçu, il effectuera un travail de meilleure qualité et de façon plus sécuritaire.
18. **N'utilisez pas l'outil électrique s'il n'est pas possible de mettre sa gâchette en position de marche et d'arrêt.** Un outil électrique dont l'interrupteur est défectueux représente un danger et doit être réparé.
19. **Débranchez la fiche de la source d'alimentation et/ou retirez le bloc-piles de l'outil électrique avant d'effectuer tout réglage, de changer un accessoire ou de ranger l'outil électrique.** De telles mesures préventives réduisent les risques de démarrage accidentel de l'outil électrique.
20. **Après l'utilisation d'un outil électrique, rangez-le hors de portée des enfants et ne laissez aucune personne l'utiliser si elle n'est pas familiarisée avec l'outil électrique ou les présentes instructions d'utilisation.** Les outils électriques représentent un danger entre les mains de personnes qui n'en connaissent pas le mode d'utilisation.
21. **Veillez à l'entretien des outils électriques. Assurez-vous que les pièces mobiles ne sont pas désalignées ou coincées, qu'aucune pièce n'est cassée et que l'outil électrique n'a subi aucun dommage affectant son bon fonctionnement. Le cas échéant, faites réparer l'outil électrique avant de l'utiliser.** De nombreux accidents sont causés par des outils électriques mal entretenus.
22. **Maintenez les outils tranchants bien aiguisés et propres.** Un outil tranchant dont l'entretien est effectué correctement et dont les bords sont bien aiguisés risquera moins de se coincer et sera plus facile à maîtriser.
23. **Utilisez l'outil électrique, ses accessoires, ses embouts, etc., en respectant les présentes instructions, en tenant compte des conditions de travail et du type de travail à effectuer.** L'utilisation d'un outil électrique à des fins autres que celles prévues peut entraîner une situation dangereuse.

## Utilisation et entretien des outils alimentés par batterie

24. **Pour recharger, utilisez uniquement le chargeur spécifié par le fabricant.** L'utilisation d'un chargeur conçu pour un type donné de bloc-piles comporte un risque d'incendie lorsqu'il est utilisé avec un autre type de bloc-piles.
25. **N'utilisez un outil électrique qu'avec le bloc-piles conçu spécifiquement pour cet outil.** Il y a un risque de blessure ou d'incendie si un autre bloc-piles est utilisé.
26. **Lorsque vous n'utilisez pas le bloc-piles, rangez-le à l'écart des objets métalliques tels que trombones, pièces de monnaie, clés, clous, vis ou autres petits objets métalliques qui risquent d'établir une connexion entre les bornes.** La mise en court-circuit des bornes de batterie peut causer des brûlures ou un incendie.
27. **Dans des conditions d'utilisation inadéquates de la batterie, il peut y avoir fuite d'électrolyte; évitez tout contact avec ce liquide. En cas de contact accidentel, rincez avec beaucoup d'eau. Si le liquide pénètre dans vos yeux, il faut aussi consulter un médecin.** L'électrolyte qui s'échappe de la batterie peut causer des irritations ou des brûlures.

## Réparation

28. **Faites réparer votre outil électrique par un réparateur qualifié qui utilise des pièces de rechange identiques aux pièces d'origine.** Le maintien de la sûreté de l'outil électrique sera ainsi assuré.
29. **Suivez les instructions de lubrification et de changement des accessoires.**
30. **Maintenez les poignées de l'outil sèches, propres et exemptes d'huile ou de graisse.**

## Consignes de sécurité pour la tronçonneuse sans fil :

1. **Lorsque le moteur tourne, gardez toute partie du corps à l'écart de la chaîne. Avant de faire démarrer la tronçonneuse, assurez-vous que la chaîne n'entre en contact avec rien.** Lorsque vous utilisez la tronçonneuse, tout moment de distraction peut faire en sorte que vos vêtements ou votre corps soient happés par la chaîne.
2. **Tenez toujours la tronçonneuse en gardant votre main droite sur la poignée arrière et votre main gauche sur la poignée avant.** Si vous tenez la tronçonneuse en inversant la position de vos mains, vous augmentez les risques de blessure. Ne le faites jamais.
3. **Tenez l'outil par ses surfaces de prise isolées seulement, car la chaîne pourrait venir en contact avec un câblage dissimulé.** En cas de contact avec un conducteur sous tension, les pièces métalliques à découvert de l'outil pourraient devenir sous tension et risqueraient de transmettre une décharge électrique à l'utilisateur.
4. **Portez des lunettes de sécurité et un protecteur d'oreilles. Il est recommandé d'utiliser d'autres dispositifs de protection pour la tête, les mains, les jambes et les pieds.** Des vêtements de protection adéquats réduiront les risques de blessures provoquées par des débris projetés ou un contact accidentel avec la chaîne.
5. **Ne travaillez pas avec la tronçonneuse sur un arbre.** En cas d'utilisation de la tronçonneuse sur un arbre, il y a risque de blessure.
6. **Assurez-vous toujours d'avoir les pieds bien ancrés au sol et utilisez la tronçonneuse seulement lorsque vous vous trouvez sur une surface stable, sûre et droite.** Si vous vous trouvez sur une surface glissante ou instable, comme une échelle, vous risquez de perdre l'équilibre ou la maîtrise de la tronçonneuse.
7. **Lorsque vous coupez une branche tendue, attendez-vous à ce qu'elle revienne comme un ressort.** Quand la tension dans les fibres de bois se relâche, la branche sous tension peut frapper l'utilisateur et/ou lui faire perdre la maîtrise de la tronçonneuse.
8. **Soyez extrêmement prudent lors de la coupe de broussailles et de jeunes arbres.** Les branches fines peuvent être happées par la chaîne et vous frapper ou vous faire perdre l'équilibre.
9. **Transportez la tronçonneuse par la poignée avant, avec la chaîne en état d'arrêt et à l'écart de votre corps. Installez toujours le protecteur du guide-chaîne lorsque vous transportez ou rangez la tronçonneuse.** En manipulant la tronçonneuse avec précaution, vous réduirez les risques de toucher par mégarde la chaîne en rotation.
10. **Suivez les instructions concernant la lubrification, le réglage de la tension de la chaîne et le remplacement des accessoires.** Une chaîne qui n'est pas adéquatement tendue ou graissée peut se briser ou augmenter le risque de contrecoup.
11. **Maintenez les poignées sèches, propres et exemptes d'huile ou de graisse.** Les poignées couvertes de graisse ou d'huile sont glissantes et entraînent une perte de maîtrise.

12. **Ne scier que du bois. Utilisez la tronçonneuse seulement pour les travaux pour lesquels elle est conçue. Par exemple, n'utilisez jamais la tronçonneuse pour scier des matières plastiques, de la maçonnerie ou des matériaux de construction qui ne sont pas en bois.** L'utilisation de la tronçonneuse pour des travaux non conformes peut entraîner des situations dangereuses.

### 13. Causes des reculs et mesures préventives à prendre :

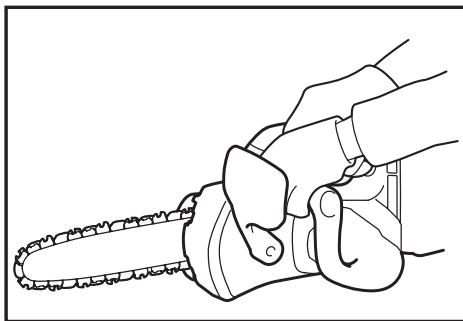
Un contrecoup peut se produire lorsque la pointe du guide-chaîne touche un objet ou que le bois s'arque et que la tronçonneuse se coince dans le tracé.

Dans certains cas, un contact avec la pointe du guide-chaîne peut entraîner une réaction inattendue vers l'arrière, projetant le guide-chaîne vers le haut, dans la direction de l'utilisateur.

Lorsque la chaîne se coince au niveau du bord supérieur du guide-chaîne, elle peut pousser le guide-chaîne tout à coup vers l'arrière en direction de l'utilisateur.

Toutes ces réactions peuvent vous faire perdre la maîtrise de la tronçonneuse et entraîner des blessures graves. Ne vous fiez pas exclusivement aux dispositifs de sécurité incorporés dans la tronçonneuse. L'utilisateur de la tronçonneuse doit prendre diverses mesures pour s'assurer de travailler sans risque d'accident et de blessure. Le contrecoup est le résultat d'une utilisation inadéquate de l'outil et/ou de procédures ou de conditions d'utilisation incorrectes; on peut l'éviter en prenant les précautions adéquates indiquées ci-dessous.

- **Tenez fermement la scie des deux mains, en encerclant les poignées de la tronçonneuse avec votre pouce et vos doigts, et placez votre corps et vos bras de manière à pouvoir résister à la force d'un recul éventuel.** L'utilisateur est capable de maîtriser un recul s'il a pris les précautions adéquates. Ne lâchez jamais la tronçonneuse.



- **Maintenez toujours une bonne position et évitez d'utiliser la scie en levant les bras au-dessus des épaules.** Ceci permet d'éviter un contact accidentel avec le bout du guide-chaîne et assure une meilleure maîtrise de la tronçonneuse en cas de situations inattendues.

- Utilisez toujours les guides et les chaînes de rechange indiqués par le fabricant. Si vous utilisez de mauvais guides ou chaînes de rechange, vous risquez une rupture de la chaîne et/ou un contrecoup.
  - Suivez les instructions du fabricant concernant l'aiguisage et l'entretien de la tronçonneuse. Les limiteurs de profondeur trop bas augmentent les risques de contrecoup.
14. Avant de commencer le travail, assurez-vous que la tronçonneuse est en bon état de marche et qu'elle est conforme aux règlements de sécurité. Vérifiez tout particulièrement si :
    - Le frein de chaîne fonctionne adéquatement;
    - Le frein de ralentissement fonctionne adéquatement;
    - Les protecteurs de pignon et de roue dentée sont installés adéquatement;
    - La chaîne a été aiguisée et tendue conformément aux règlements en vigueur;
  15. **Ne mettez pas la tronçonneuse en marche sans enlever le couvre-chaîne.** Le couvre-chaîne pourrait être projeté vers l'avant et provoquer des blessures ou endommager les objets vous entourant si vous faites démarrer la tronçonneuse tandis que le couvre-chaîne est en place.
  3. Cessez immédiatement l'utilisation si le temps de fonctionnement devient excessivement court. Il y a risque de surchauffe, de brûlures, voire d'explosion.
  4. Si l'électrolyte pénètre dans vos yeux, rincez-les à l'eau claire et consultez immédiatement un médecin. Il y a risque de perte de la vue.
  5. **Ne court-circuitez pas la batterie :**
    - (1) **Ne touchez les bornes avec aucun matériau conducteur.**
    - (2) **Évitez de ranger la batterie dans un conteneur avec d'autres objets métalliques, par exemple des clous, des pièces de monnaie, etc.**
    - (3) **Évitez d'exposer la batterie à l'eau ou à la pluie.**


Un court-circuit de la batterie pourrait provoquer un fort courant, une surchauffe, parfois des brûlures et même une panne.
  6. **Ne rangez pas l'outil ou la batterie dans des endroits où la température risque d'atteindre ou de dépasser 50°C (122°F).**
  7. **Ne jetez pas la batterie au feu même si elle est sérieusement endommagée ou complètement épuisée. La batterie peut exploser au contact du feu.**
  8. **Prenez garde d'échapper ou de heurter la batterie.**
  9. **N'utilisez pas une batterie si elle est endommagée.**
  10. **Suivez la réglementation locale concernant la mise au rebut de la batterie.**

## CONSERVEZ CE MODE D'EMPLOI.

**⚠ MISE EN GARDE : NE VOUS LAISSEZ PAS tromper (au fil d'une utilisation répétée) par un sentiment d'aisance ou de familiarité avec le produit en négligeant les consignes de sécurité qui accompagnent le produit. L'utilisation non sécuritaire ou incorrecte de cet outil comporte un risque de blessure grave.**

### Symboles

Les symboles utilisés pour l'outil sont indiqués ci-dessous.

V	volts
— — —	courant continu
ft/min	pieds par minute
	numéro de pièce de la chaîne et du guide-chaîne applicables

## CONSIGNES DE SÉCURITÉ IMPORTANTES

### POUR LA BATTERIE

1. Avant d'utiliser la batterie, lisez toutes les instructions et précautions relatives (1) au chargeur de batterie, (2) à la batterie, et (3) à l'outil utilisant la batterie.
2. **Ne démontez pas la batterie.**
3. **Rechargez la batterie avant qu'elle ne soit complètement déchargée. Arrêtez toujours l'outil et rechargez la batterie quand vous remarquez que la puissance de l'outil diminue.**
4. **Ne rechargez jamais une batterie complètement chargée. La surcharge réduit la durée de service de la batterie.**
5. **Rechargez la batterie à une température ambiante comprise entre 10°C et 40°C (50°F - 104°F). Si la batterie est chaude, laissez-la refroidir avant de la recharger.**
6. **Rechargez la batterie si vous ne l'utilisez pas pendant une période prolongée (plus de six mois).**

## CONSERVEZ CE MODE D'EMPLOI.

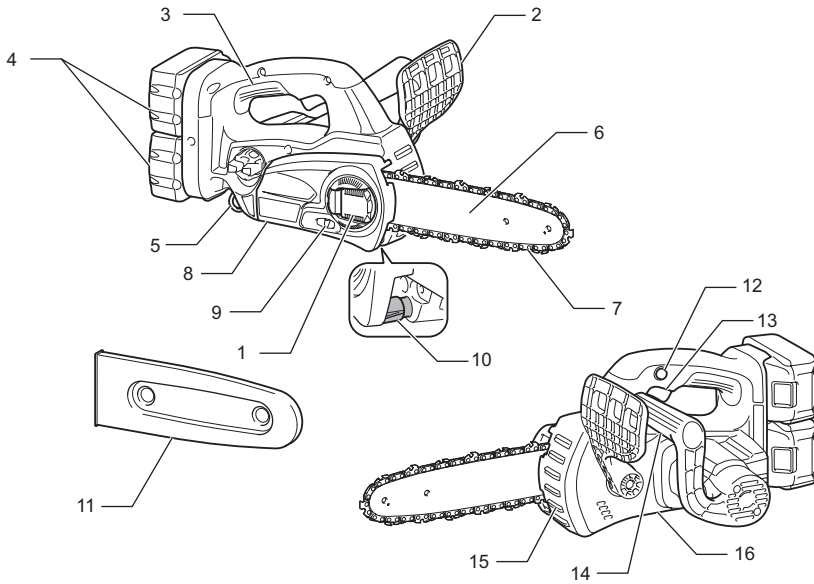
**⚠ ATTENTION :** Utilisez uniquement des batteries Makita d'origine.

L'utilisation de batteries autres que les batteries d'origine Makita ou de batteries qui ont été modifiées peut entraîner l'explosion de la batterie et provoquer des incendies, blessures et autres dommages. Cela annulerait également la garantie de Makita s'appliquant à l'outil Makita et au chargeur.

### Conseils pour obtenir la durée de service maximale de la batterie

1. **Rechargez la batterie avant qu'elle ne soit complètement déchargée. Arrêtez toujours l'outil et rechargez la batterie quand vous remarquez que la puissance de l'outil diminue.**
2. **Ne rechargez jamais une batterie complètement chargée. La surcharge réduit la durée de service de la batterie.**
3. **Rechargez la batterie à une température ambiante comprise entre 10°C et 40°C (50°F - 104°F). Si la batterie est chaude, laissez-la refroidir avant de la recharger.**
4. **Rechargez la batterie si vous ne l'utilisez pas pendant une période prolongée (plus de six mois).**

# DESCRIPTION DES PIÈCES



1	Levier	2	Protecteur de la main avant	3	Poignée supérieure
4	Batterie	5	Mousqueton (point d'attache de la corde)	6	Guide-chaîne
7	Chaîne	8	Protecteur de pignon	9	Cadran de réglage
10	Attrape-chaîne	11	Protecteur du guide-chaîne	12	Bouton de sécurité
13	Gâchette	14	Poignée avant	15	Griffe d'abattage
16	Vis de réglage de la pompe à huile (en dessous)	-	-	-	-

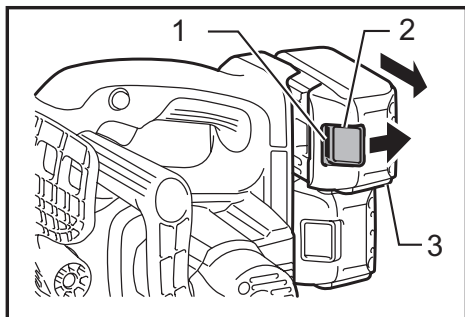


## DESCRIPTION DU FONCTIONNEMENT

### ⚠ ATTENTION :

- Assurez-vous toujours que l'outil est hors tension et que sa batterie est retirée avant de l'ajuster ou de vérifier son fonctionnement.

### Installation ou retrait de la batterie



► 1. Indicateur rouge 2. Bouton 3. Batterie

### ⚠ ATTENTION :

- Mettez toujours l'appareil hors tension avant d'installer ou de retirer la batterie.
- **Tenez fermement l'outil et la batterie lors de l'installation ou du retrait de cette dernière.** Sinon, l'outil et la batterie pourraient vous glisser des mains, ce qui risque d'endommager l'outil et la batterie, ou encore de provoquer des blessures.

Pour retirer la batterie, faites-la glisser de l'outil tout en faisant glisser le bouton se trouvant à l'avant. Pour installer la batterie, alignez sa languette sur la rainure pratiquée dans le boîtier, et glissez la batterie en place. Insérez-la à fond jusqu'à ce que vous entendiez un clic. Si vous pouvez voir l'indicateur rouge situé sur le dessus du bouton, la batterie n'est pas complètement verrouillée.

### ⚠ ATTENTION :

- Installez toujours la batterie à fond jusqu'à ce que vous ne puissiez plus voir l'indicateur rouge. Dans le cas contraire, elle pourrait tomber de l'outil et entraîner des blessures.
- Ne forcez pas sur la batterie pour l'installer. Si la batterie ne glisse pas facilement, c'est qu'elle n'est pas insérée correctement.

### NOTE :

- L'outil ne fonctionne pas lorsqu'une seule batterie est en place.

## Système de protection de l'outil/de la batterie

L'outil est équipé d'un système de protection de l'outil/ de la batterie. Ce système coupe automatiquement l'alimentation du moteur pour augmenter la durée de vie de l'outil et de la batterie.

L'outil s'arrête automatiquement pendant l'utilisation lorsque l'outil ou la batterie est dans l'une des situations suivantes. Dans certaines conditions, les indicateurs s'allument.

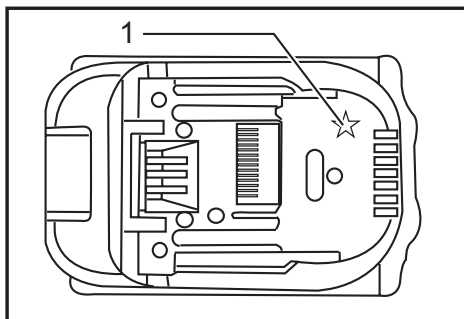
### Dispositif de protection contre la surcharge

Lorsque l'outil est actionné de sorte qu'il utilise un courant élevé anormal, l'outil s'arrête automatiquement sans indication. Dans cette situation, éteignez l'outil et arrêtez l'application qui a causé la surcharge de l'outil. Puis rallumez l'outil pour recommencer.

### Protection de surchauffe de la batterie / l'outil

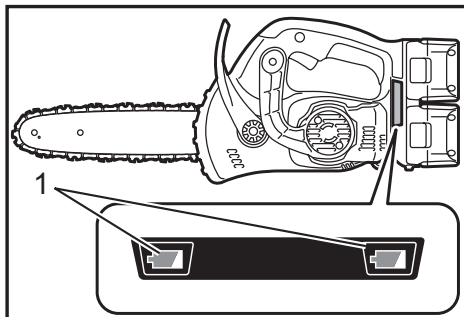
Lorsque la batterie / l'outil est en surchauffe, l'outil s'arrête automatiquement sans aucune indication. L'outil ne démarre pas, même lorsque la gâchette est actionnée. Dans cette situation, laissez refroidir la batterie / l'outil avant d'allumer l'outil de nouveau.

**NOTE :** La protection de surchauffe de la batterie fonctionne uniquement avec les batteries comportant un repère en forme d'étoile.



► 1. Étoile

### Protection contre la décharge complète

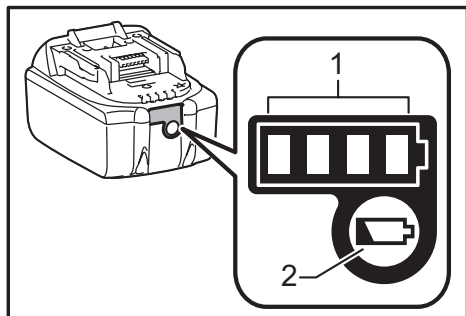


► 1. Indicateur de batterie

Lorsque la capacité restante de la batterie est faible, l'indicateur de la batterie clignote à côté de la batterie concernée. Si l'utilisation est poursuivie, l'outil s'arrête et l'indicateur de la batterie s'allume pendant environ 10 secondes. Dans cette situation, rechargez la batterie.

## Affiche la capacité restante de la batterie

(Uniquement pour les batteries dont le numéro de modèle se termine par « B ».)



► 1. Témoins 2. Bouton CHECK

Appuyez sur le bouton de vérification sur la batterie pour afficher la capacité résiduelle de la batterie. Les témoins s'allument pendant quelques secondes.

Témoins			Capacité résiduelle
Allumé	ARRÊT	Clignotement	
■ ■ ■ ■			75 % à 100 %
■ ■ ■ □			50 % à 75 %
■ ■ □ □			25 % à 50 %
■ □ □ □			0 % à 25 %
▬ □ □ □			Chargez la batterie.
■ ■ □ □	↑ ↓		La batterie peut avoir présenté un défaut de fonctionnement.
□ □ ■ ■			

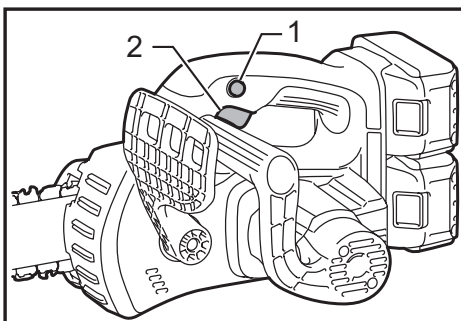
### NOTE :

- Selon les conditions d'utilisation et la température ambiante, il est possible que la capacité relevée soit légèrement différente par rapport à la capacité réelle.

## Interrupteur

### ⚠ ATTENTION :

- Avant d'insérer la batterie dans l'outil, vérifiez toujours que la gâchette fonctionne bien et revient en position d'arrêt lorsque relâchée.



► 1. Bouton de sécurité 2. Gâchette

Un bouton de sécurité est fourni pour prévenir la pression accidentelle sur la gâchette.

Pour mettre l'outil en marche, enfoncez le bouton de sécurité puis appuyez sur la gâchette. Pour l'arrêter, relâchez la gâchette.

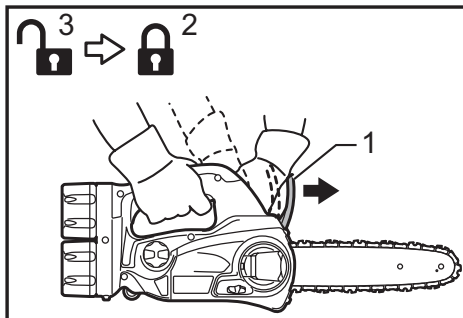
## Vérification du frein de chaîne

### NOTE :

- Si la tronçonneuse ne démarre pas, il faut relâcher le frein de chaîne. Tirez fermement le protecteur de la main avant vers l'arrière, jusqu'à ce que vous sentiez qu'il s'englisse.

Tenez la tronçonneuse des deux mains lorsque vous la mettez en marche. Tenez la poignée supérieure de votre main droite, et la poignée avant de votre main gauche. Le guide-chaîne et la chaîne ne doivent toucher à aucun objet.

Appuyez d'abord sur le bouton de sécurité, puis appuyez sur la gâchette. La tronçonneuse démarre immédiatement.



► 1. Protecteur de la main avant 2. Verrouillage 3. Déverrouiller

Poussez vers l'avant le protecteur de la main avant à l'aide du dos de votre main. La chaîne doit s'immobiliser immédiatement.

### ⚠ ATTENTION :

- Si la chaîne ne s'arrête pas immédiatement lorsque vous réalisez ce test, vous ne devez utiliser la scie en aucun cas. Adressez-vous à un centre de réparation spécialisé MAKITA.

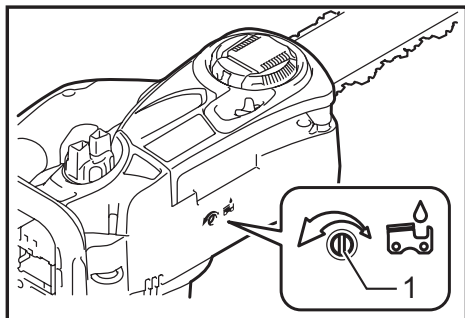
## Vérification du frein de ralentissement

Faites démarrer la tronçonneuse. Relâchez la gâchette complètement. La chaîne doit s'immobiliser en une seconde.

### ⚠ ATTENTION :

- Si la chaîne ne s'arrête pas en une seconde lorsque vous réalisez ce test, vous ne devez pas utiliser la scie. Adressez-vous à un centre de réparation spécialisé MAKITA.

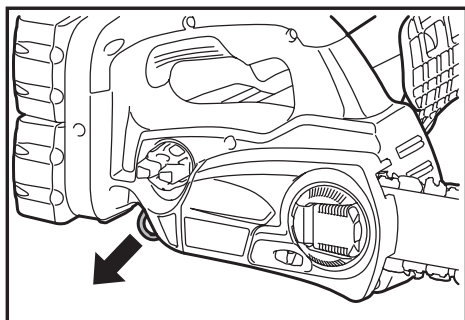
## Réglez la lubrification de la chaîne



► 1. Vis de réglage

Une vis vous permet de régler le débit de la pompe à huile. Il est possible de régler la quantité d'huile à l'aide de la clé universelle.

## Mousqueton (point d'attache de la corde)



Le mousqueton (point d'attache de la corde) sert à suspendre l'outil. Retirez le mousqueton et attachez-y une corde avant de l'utiliser.

## ASSEMBLAGE

### ⚠ ATTENTION :

- Assurez-vous toujours que l'outil est hors tension et que sa batterie est retirée avant d'effectuer tout travail dessus.

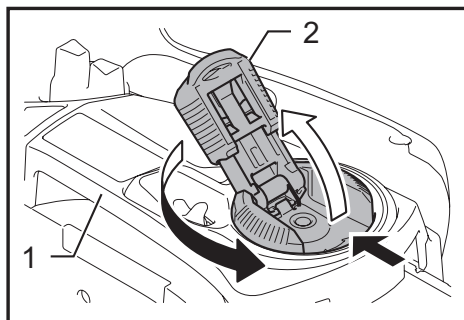
## Retrait ou installation de la chaîne

### ⚠ ATTENTION :

- Portez toujours des gants pour installer ou retirer la chaîne.
- La chaîne et le guide-chaîne sont encore chauds juste après utilisation. Laissez-les refroidir suffisamment avant toute opération sur l'outil.

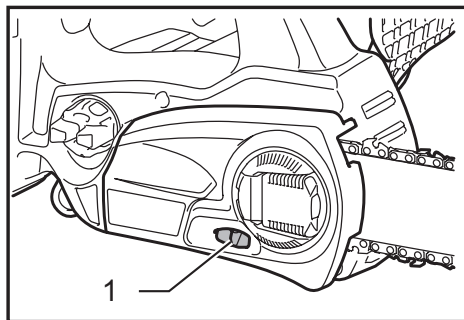
Pour retirer la chaîne, effectuez les étapes suivantes :

1. Appuyez sur le levier et soulevez-le complètement.



► 1. Protecteur de pignon 2. Levier

2. Faites tourner le cadran de réglage vers le signe « - » pour relâcher la tension de la chaîne.

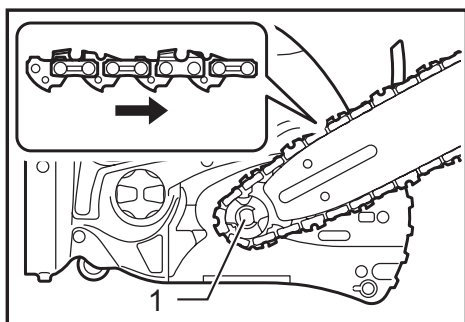


► 1. Cadran de réglage

3. Faites tourner le levier dans le sens inverse des aiguilles d'une montre pour desserrer le protecteur de pignon jusqu'à ce qu'il sorte.
4. Retirez le protecteur de pignon.
5. Retirez la chaîne et le guide-chaîne de la tronçonneuse.

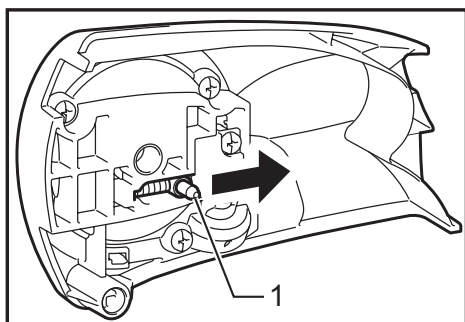
Pour installer la chaîne, effectuez les étapes suivantes :

6. Vérifiez le sens de la chaîne. La flèche indiquée sur la chaîne correspond à son sens.



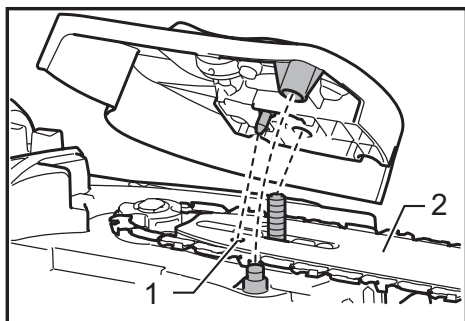
► 1. Roue dentée

7. Installez une des extrémités de la chaîne sur le dessus du guide-chaîne et l'autre extrémité autour du pignon.
8. Mettez le guide-chaîne en place sur la tronçonneuse.
9. Faites tourner le cadran de réglage vers le signe « - » pour faire glisser la tige de réglage dans le sens de la flèche.



► 1. Tige de réglage

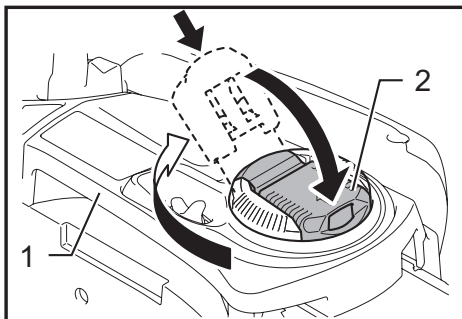
10. Placez le protecteur de pignon sur la chaîne de manière à ce que la tige de réglage se trouve dans un petit orifice du guide-chaîne.



► 1. Orifice 2. Guide-chaîne

11. Faites tourner le levier dans le sens des aiguilles d'une montre complètement et d'un quart de tour dans le sens inverse afin de garder du jeu pour le réglage de la tension de la chaîne.
12. Faites tourner le cadran de réglage et ajustez la tension de la chaîne.

13. Faites tourner le levier dans le sens des aiguilles d'une montre pour sécuriser le protecteur de pignon.



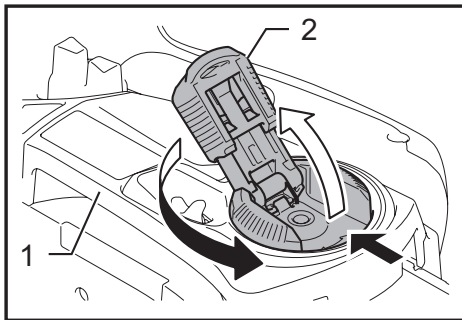
► 1. Protecteur de pignon 2. Levier

14. Appuyez sur le levier et ramenez-le à sa position de départ.

## Réglage de la tension de la chaîne

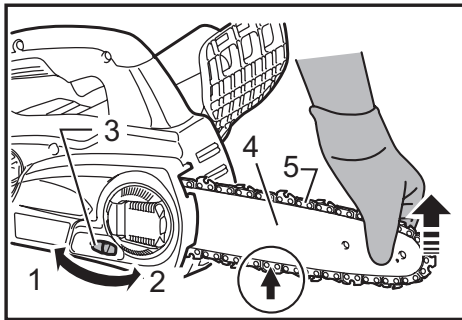
Il se peut que la chaîne se desserre après plusieurs heures d'utilisation. De temps à autre, vérifiez la tension de la chaîne avant d'utiliser la tronçonneuse.

1. Appuyez sur le levier et ouvrez-le complètement jusqu'à entendre un clic. Faites-le tourner légèrement dans le sens inverse des aiguilles d'une montre pour desserrer un peu le protecteur de pignon.



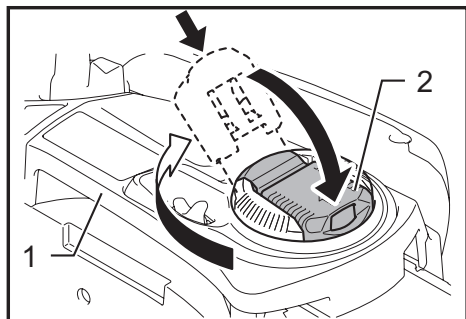
► 1. Protecteur de pignon 2. Levier

2. Soulevez légèrement le guide-chaîne.



► 1. Desserrer 2. Serrer 3. Cadran de réglage 4. Guide-chaîne 5. Chaîne

3. Faites tourner le cadran de réglage pour ajuster la tension de la chaîne. Serrez la chaîne jusqu'à ce que le côté inférieur de la chaîne rentre dans le rail du guide (voir le cercle sur la figure).
4. Soulevez légèrement le guide-chaîne et serrez le protecteur de pignon après avoir réglé la tension de la chaîne. Assurez-vous que la chaîne ne se détend pas du côté inférieur.
5. Appuyez sur le levier et ramenez-le à sa position de départ.



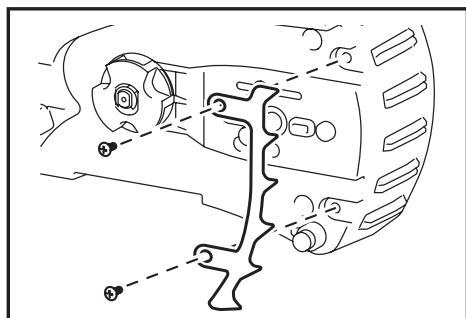
► 1. Protecteur de pignon 2. Levier

Assurez-vous que la chaîne est parfaitement ajustée sur la partie inférieure du guide.

#### ⚠ATTENTION :

- Ne serrez pas excessivement la chaîne. Si la chaîne est excessivement tendue, elle risque de se briser, d'user le guide-chaîne et de briser le cadran de réglage.
- Une chaîne trop desserrée peut sauter hors du guide, ce qui présente un risque d'accident.
- Réalisez la procédure d'installation ou de retrait de la chaîne dans un endroit propre sans sciure ou autre.

### Griffe d'abattage (accessoire en option)



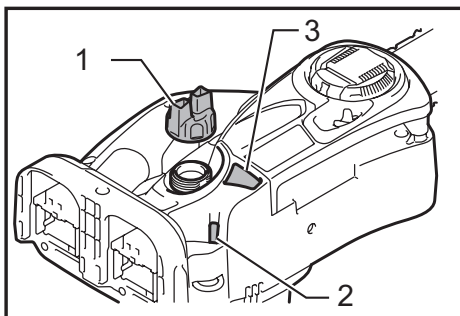
Pour installer la griffe d'abattage, suivez les étapes suivantes :

1. Retirez le protecteur de pignon, la chaîne et le guide-chaîne en procédant tel que décrit dans ce manuel d'instructions.
2. Placez la griffe d'abattage, avec les griffes orientées vers le haut, de sorte que ses orifices s'alignent sur les orifices de la tronçonneuse.
3. Serrez la griffe d'abattage avec les deux vis fournies.

## UTILISATION

⚠ATTENTION : Ne couvrez pas les événements, car cela pourrait entraîner une surchauffe ou endommager l'outil.

## Lubrification



► 1. Bouchon du réservoir d'huile 2. Viseur du niveau d'huile (pour le remplissage du réservoir) 3. Viseur du niveau d'huile

La lubrification de la chaîne s'effectue automatiquement lorsque la tronçonneuse est en marche.

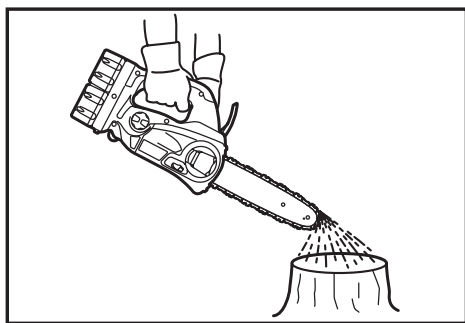
Vérifiez la quantité d'huile présente dans le réservoir d'huile à travers le viseur du niveau d'huile.

Pour remplir le réservoir, retirez le bouchon du réservoir d'huile.

Après avoir rempli le réservoir, vissez le bouchon fourni sur le réservoir d'huile de la tronçonneuse.

#### ⚠ATTENTION :

- La première fois que vous faites le plein d'huile dans la tronçonneuse ou si vous faites le plein une fois le réservoir complètement vide, versez de l'huile jusqu'au bord inférieur du goulot de remplissage. Autrement l'alimentation en huile risque d'être insuffisante.
- Utilisez l'huile destinée exclusivement aux tronçonneuses Makita ou une autre huile sur le marché comme lubrifiant.
- N'utilisez jamais de l'huile contaminée par la poussière ou des particules, ni de l'huile volatile.
- Utilisez de l'huile d'origine botanique pour l'élagage des arbres. Les huiles minérales peuvent nuire aux arbres.
- Ne forcez jamais la tronçonneuse lors de l'élagage des arbres.
- Assurez-vous que le bouchon du réservoir d'huile fourni est bien vissé en place avant d'entreprendre le travail.



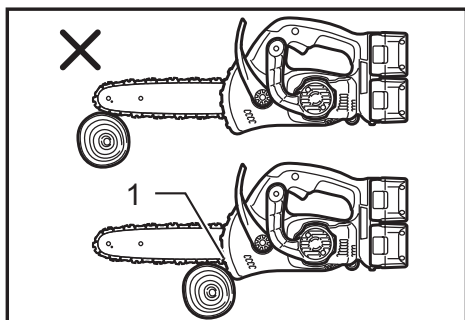
N'approchez pas la tronçonneuse de l'arbre. Commencez par la faire démarrer et attendez que la chaîne soit adéquatement lubrifiée. Amenez la barre à griffe en contact avec la branche à couper avant de mettre l'appareil en marche. Sinon le guide-chaîne pourrait osciller, ce qui risque de blesser l'utilisateur. Sciez le bois par un mouvement vers le bas.

## UTILISATION DE LA TRONÇONNEUSE

### ATTENTION :

- Les personnes qui utilisent cet appareil pour la première fois devraient, au minimum, s'exercer à couper des rondins sur un chevalet de menuisier ou sur un socle.
- Lors de la coupe d'un arbre prédécoupé, utilisez un support sécurisé (chevalet ou berceau de sciage). Ne maintenez pas la pièce de bois avec le pied et ne laissez personne la tenir ou la stabiliser.
- Fixez les pièces rondes pour ne pas qu'elles tournent.

## Taille fruitière

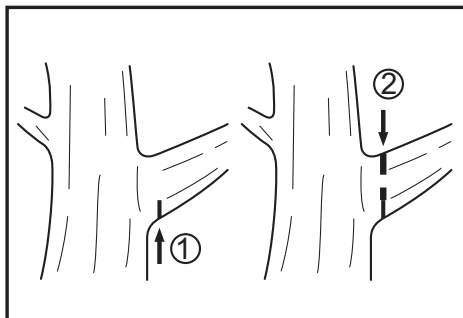


► 1. Griffe d'abattage

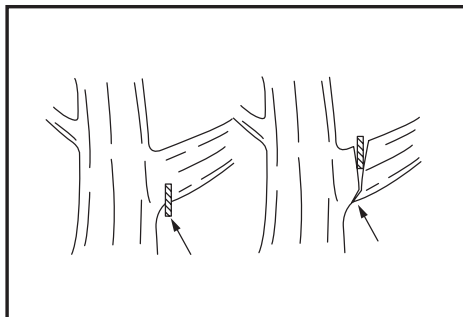
### ATTENTION :

- Lorsque le moteur tourne, gardez toute partie du corps à l'écart de la chaîne.
- Tenez fermement la tronçonneuse à deux mains pendant que le moteur tourne.
- Maintenez une bonne position. Assurez-vous d'une bonne prise au sol et d'une bonne position d'équilibre en tout temps.

Amenez la barre à griffe en contact avec la branche à couper avant de mettre l'appareil en marche. Les coupes effectuées sans que la barre à griffe soit en contact avec la branche peuvent entraîner une oscillation du guide-chaîne, ce qui risque de blesser l'utilisateur.

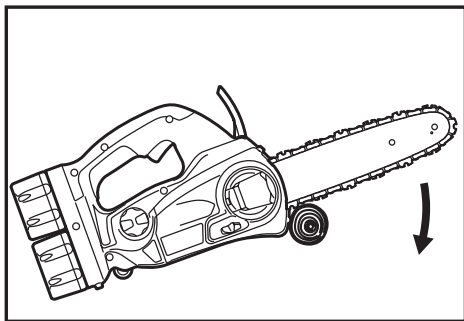


Pour couper une branche épaisse, pratiquez d'abord un mince trait de scie par en dessous, puis terminez la coupe par le dessus.



Si vous tentez de couper une branche épaisse par en dessous, celle-ci risque de se refermer sur la chaîne et de la coincer dans le trait de coupe.

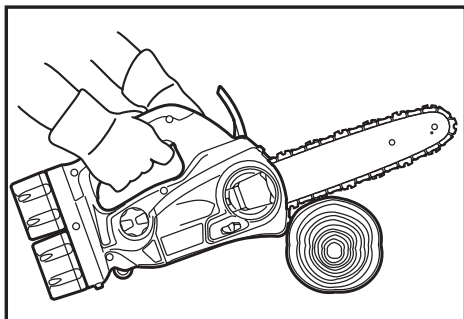
Si vous tentez de couper une branche épaisse par le dessus sans d'abord pratiquer un mince trait de scie par en dessous, la branche risque de se fendre.



S'il n'est pas possible de couper la pièce de bois en une seule passe :

Appliquez une légère pression sur la poignée et continuez à scier en ramenant légèrement la tronçonneuse vers l'arrière. Posez ensuite la griffe un peu plus bas et finissez la coupe en soulevant la poignée.

## Tronçonnage

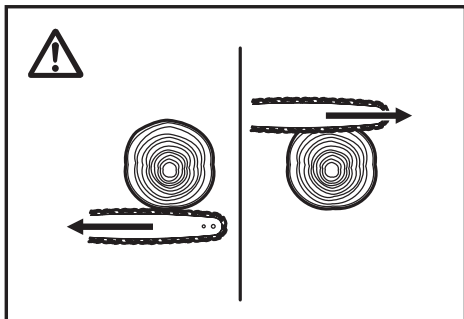


Pour les opérations de tronçonnage, appuyez la griffe d'abattage représentée dans la figure sur la pièce de bois à couper.

En faisant d'abord tourner la chaîne, sciez la pièce de bois en utilisant la poignée supérieure pour soulever la tronçonneuse et la poignée avant pour la guider. Utilisez la barre à griffe en guise de pivot.

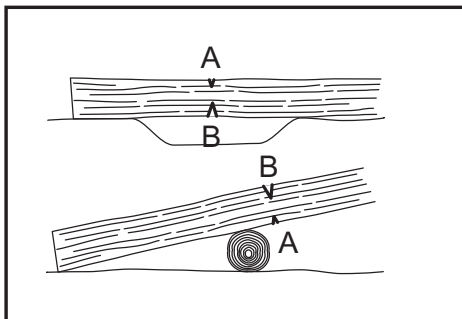
Poursuivez la coupe en appliquant une légère pression sur la poignée avant et en retirant légèrement la tronçonneuse à l'arrière. Déplacez la griffe d'abattage plus bas sur le rondin et soulevez à nouveau la poignée avant.

Lorsque vous effectuez plusieurs coupes, mettez la tronçonneuse hors tension entre chacune d'elles.



### ⚠ ATTENTION :

- Si le bord supérieur du guide-chaîne est utilisé pour la coupe, la tronçonneuse risque de rebondir dans votre direction si la chaîne se coince. C'est pourquoi vous devez utiliser le bord inférieur, de sorte que la tronçonneuse rebondisse en s'éloignant de votre corps.



Coupez d'abord le bois par le côté soumis à une pression (A). Passez ensuite à la coupe finale sur le côté soumis à une tension (B). Cette mesure évitera que le guide-chaîne ne se coince.

## Ébranchage

### ⚠ ATTENTION :

- L'ébranchage doit être exécuté seulement par des personnes ayant reçu une formation. Les risques de contrecoup constituent un danger.

Pour l'ébranchage, appuyez la tronçonneuse contre le tronc si possible. Ne coupez pas avec le bout du guide-chaîne, car il y a risque de contrecoup.

Prêtez une attention particulière aux branches soumises à une tension. Ne coupez pas par le dessous les branches sans soutien.

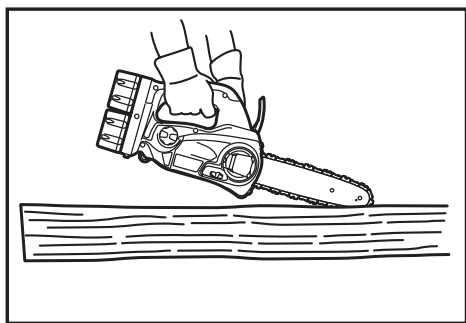
Ne montez pas sur le tronc abattu pour l'ébrancher.

## Évidage et coupes dans le sens du grain

### ⚠ ATTENTION :

- Les évidages et les coupes dans le sens du grain doivent être seulement exécutés par des personnes ayant reçu une formation. Il y a risque de contrecoup et de blessure.





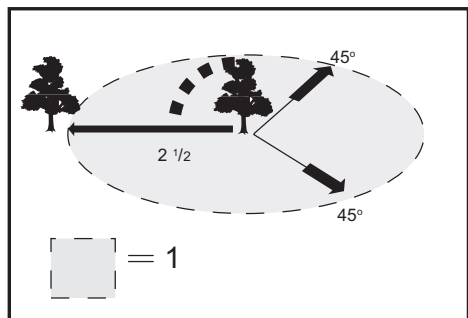
Réalisez les coupes dans le sens du grain avec l'angle le plus faible possible. Étant donné que la griffe d'abatage ne peut pas être utilisée, vous devez procéder à la coupe avec la plus grande prudence possible.

## Abatage

### ⚠ ATTENTION :

- Le travail d'abatage doit être exécuté seulement par des personnes ayant reçu une formation. Il s'agit d'un travail dangereux.

Si vous désirez abattre un arbre, conformez-vous aux réglementations locales.

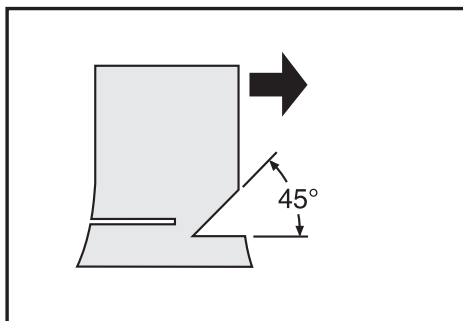


### ► 1. Zone de chute

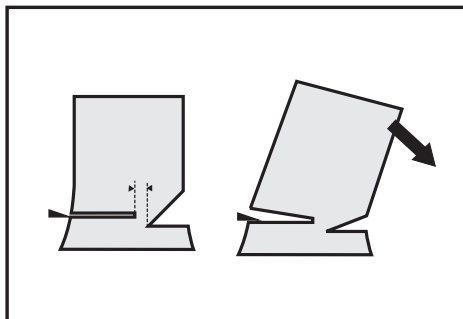
- Avant d'abattre l'arbre, assurez-vous que :
  - Seules les personnes participant à l'abatage se trouvent à proximité;
  - Toute personne impliquée dans le travail d'abatage doit s'assurer d'une voie de retraite sur une plage d'environ 45 ° chaque côté de l'axe d'abatage de l'arbre. Tenez également compte du risque de trébucher sur des câbles électriques;
  - La base du tronc doit être exempte de corps étrangers, de racines et de branches;
  - Il ne doit y avoir aucune personne ni aucun objet sur une distance égale à 2,5 fois la longueur de l'arbre dans le sens où sa chute est prévue.
- Pour chaque arbre, tenez compte des éléments suivants :
  - Le sens vers lequel il penche;
  - La présence de branches détachées ou sèches;
  - La hauteur de l'arbre;

- La présence d'un surplomb naturel;
- Si l'arbre est pourri ou non.

- Tenez compte de la vitesse et de la direction du vent. N'effectuez pas de travaux d'abatage si le vent souffle en fortes rafales.
- Taille des renflements des racines : Commencez par les plus gros renflements. Procédez d'abord à la coupe verticale, puis à la coupe horizontale.



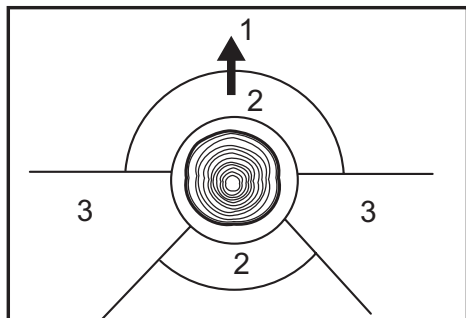
- Pratiquez une entaille : L'entaille détermine le sens dans lequel l'arbre tombera et elle l'entraîne dans ce sens. Elle se trouve du côté vers lequel l'arbre doit tomber. Pratiquez l'entaille le plus près du sol possible. Coupez d'abord à l'horizontale sur une profondeur allant du 1/5 au 1/3 du diamètre du tronc. L'entaille ne doit pas être trop large. Passez ensuite à la coupe en diagonale.
- Les corrections apportées à l'entaille doivent l'être sur toute sa largeur.



- Pratiquez le trait d'abatage un peu plus haut que la semelle de l'entaille. Le trait d'abatage doit être parfaitement horizontal. Laissez environ 1/10 du diamètre du tronc entre le trait d'abatage et l'entaille. Les fibres de la partie non coupée remplissent un rôle de charnière. Ne coupez ces fibres dans aucune circonstance, car l'arbre tomberait alors en chute libre. Insérez des chevilles dans le trait d'abatage au moment opportun.
- Pour maintenir le trait d'abatage ouvert, utilisez exclusivement des chevilles en plastique ou en aluminium. Il ne faut pas utiliser de chevilles en fer.
- Tenez-vous à côté de l'arbre à abattre. Assurez-vous qu'il y ait une aire bien dégagée derrière l'arbre, sur une plage de 45 ° par rapport à l'axe de l'arbre (reportez-vous à la figure « zone d'abatage »). Prenez garde aux chutes de branche.

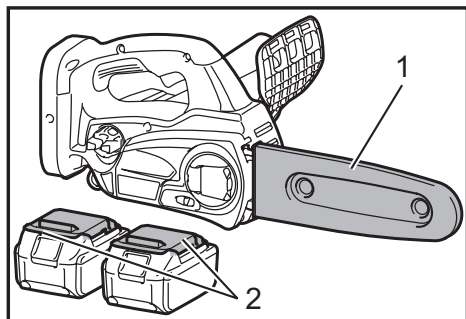


- Une voie de retraite doit être prévue et dégagée au besoin avant que la coupe ne soit entreprise. Cette voie de retraite doit s'étendre à l'arrière et en diagonale vers l'arrière de la ligne de chute prévue, conformément à la figure.



- 1. Direction de chute 2. Zone de danger 3. Voie de retraite

## Transport de l'outil



- 1. Protecteur du guide-chaîne 2. Couvercle de batterie

Vous devez toujours retirer la batterie de l'outil et recouvrir le guide-chaîne du protecteur du guide-chaîne avant de transporter l'outil. Recouvrez également la batterie avec le couvre-batterie.

## ENTRETIEN

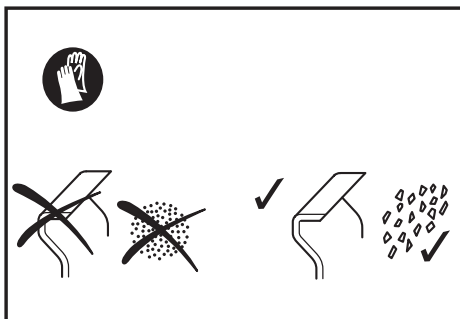
### ⚠ ATTENTION :

- Assurez-vous toujours que l'outil est hors tension et que la batterie est retirée avant d'y effectuer tout travail d'inspection ou d'entretien.
- Portez toujours des gants pour effectuer tout travail d'inspection ou d'entretien.
- N'utilisez jamais d'essence, de benzène, de solvant, d'alcool ou d'autres produits similaires. Une décoloration, une déformation, ou la formation de fissures peuvent en découler.

## Affûtage de la chaîne

### ⚠ ATTENTION :

- Retirez toujours la batterie et portez des gants de travail avant d'effectuer tout travail sur la chaîne.



## Affûtez la chaîne lorsque :

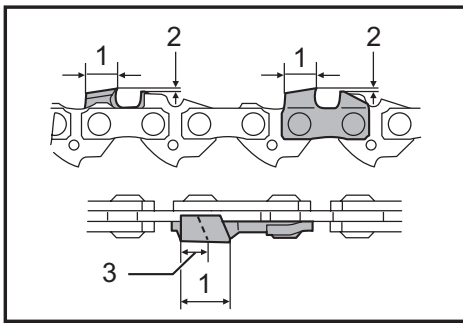
- Une poussière farineuse est produite lors de la coupe du bois humide;
- La chaîne pénètre avec difficulté dans le bois, même si vous appliquez une forte pression;
- La face de coupe est de toute évidence endommagée;
- La tronçonneuse tire vers la gauche ou la droite dans le bois. Cela est dû à un mauvais affûtage de la chaîne ou au fait qu'elle est endommagée d'un côté seulement.

## Affûtez la chaîne souvent, en ne retirant qu'une faible quantité de matériaux chaque fois.

Pour un affûtage de routine, deux ou trois passes avec une lime suffisent généralement. Après plusieurs affûtages de la chaîne, faites-la affûter par un centre de réparation spécialisé MAKITA.

## Critère d'affûtage :

- La longueur de coupe doit être la même partout. Les arêtes de différente longueur empêchent la chaîne de tourner sans incident et peuvent entraîner le bris de la chaîne.
- N'affûtez plus la chaîne si vous avez atteint une longueur d'arête minimale de 3 mm. Une nouvelle chaîne doit ensuite être mise en place.
- La profondeur de coupe est déterminée par la distance entre le limiteur de profondeur (rond) et le bord coupant.
- Les meilleurs résultats de coupe sont obtenus avec la distance suivante entre le bord coupant et le limiteur de profondeur.
  - Lame de chaîne 90PX : 0,5 mm (0,016")
  - Lame de chaîne 91PX : 0,65 mm (0,025")

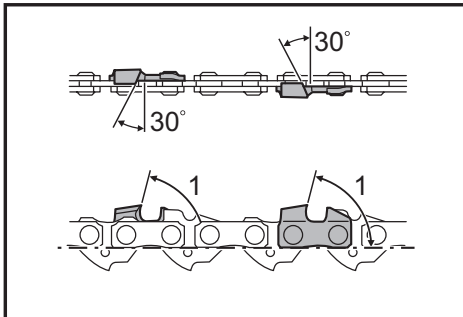


- 1. Longueur de coupe 2. Distance entre le bord coupant et le limiteur de profondeur 3. 3 mm au minimum

### ⚠ MISE EN GARDE :

- Une distance excessive augmente le risque de mouvement de recul.
- L'angle d'affûtage de 30° doit être le même sur toutes les arêtes. Les différences d'angle rendent le fonctionnement de la tronçonneuse grossier et inégal, accélèrent l'usure et entraînent des bris de chaîne.
  - L'angle d'attaque latéral de l'arête est déterminé par la longueur de pénétration de la lime ronde. Si la lime spécifiée est utilisée correctement, l'angle d'attaque latéral correct est produit automatiquement.
  - L'angle d'attaque latéral de chaque chaîne est le suivant :

Lame de chaîne 90PX : 75°  
Lame de chaîne 91PX : 80°

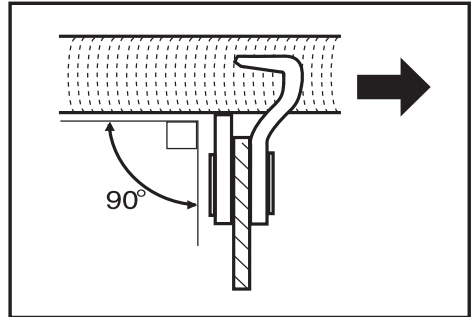


- 1. Angle d'attaque latérale

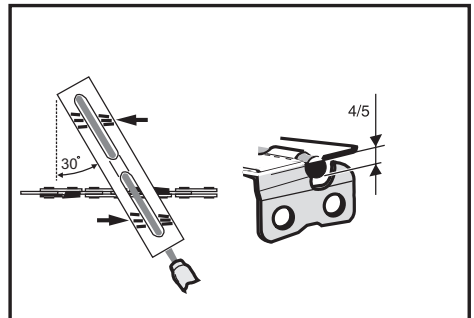
## Lime et guidage de la lime

- Pour affûter la chaîne, utilisez une lime ronde conçue spécialement pour les tronçonneuses (accessoire en option). Il est préférable de ne pas utiliser une lime ronde ordinaire.
- Les diamètres de lime ronde pour chaque chaîne sont les suivants :  
Lame de chaîne 90PX : 4,5 mm (3/16")  
Lame de chaîne 91PX : 4,0 mm (11/64")

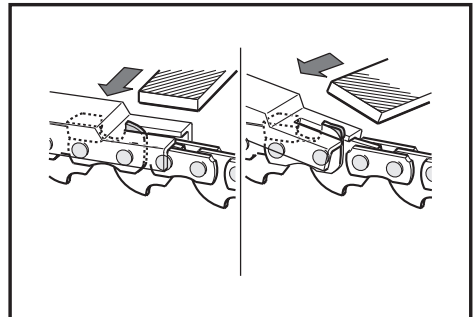
- La lime ne doit pénétrer l'arête que dans son mouvement vers l'avant. Soulevez la lime pour qu'elle ne touche pas l'arête dans son mouvement de retour.
- Affûtez d'abord la plus courte arête. La longueur de cette arête la plus courte devient la norme pour toutes les autres arêtes de la chaîne.



- Guidez la lime de la façon indiquée sur la figure.
- Il sera plus facile de guider la lime si vous utilisez le porte-lime (accessoire en option). Le porte-lime porte des indications pour le réglage correct de l'angle d'affûtage sur 30° (alignez les indications parallèlement à la chaîne), et il limite la profondeur de pénétration (jusqu'à 4/5 du diamètre de la lime).

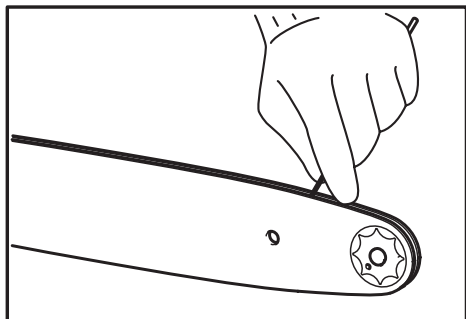


- Après l'affûtage de la chaîne, vérifiez la hauteur de la jauge de profondeur au moyen de l'outil pour jauge de chaîne (accessoire en option).



- Retirez toutes parties saillantes au moyen d'une lime plate spécialement conçue à cet effet (accessoire en option).
- Arrondissez à nouveau la partie avant de la jauge de profondeur.

## Nettoyage du guide-chaîne



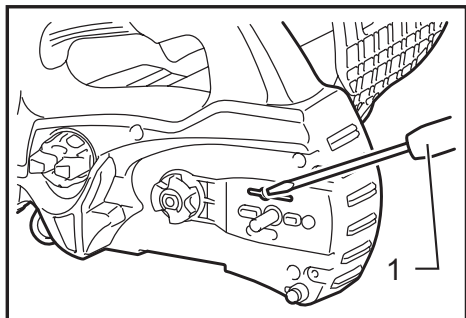
Les copeaux et la poussière s'accumulent dans les rainures du guide-chaîne, encrassant ces dernières et empêchant l'huile d'y circuler. Lorsque vous affûtez ou remplacez la chaîne, nettoyez-la pour en retirer les copeaux et la poussière.

## Nettoyage de l'orifice de vidange d'huile

Des poussières ou petites particules peuvent s'accumuler dans l'orifice de vidange d'huile pendant l'utilisation. Les poussières ou petites particules accumulées dans l'orifice de vidange d'huile peuvent ralentir le débit d'huile et nuire à la lubrification de la chaîne de la tronçonneuse.

Lorsque l'alimentation en huile ne s'effectue pas correctement sur la partie supérieure du guide-chaîne, nettoyez l'orifice de vidange en procédant comme suit. Retirez la batterie de l'outil.

Retirez le protecteur du pignon et la chaîne de la tronçonneuse. (Consultez la section intitulée « Installation et retrait de la chaîne ».)



► 1. Tournevis plat

Retirez les poussières ou petites particules à l'aide d'un tournevis à tête fendue et à tige mince, ou d'un objet similaire.

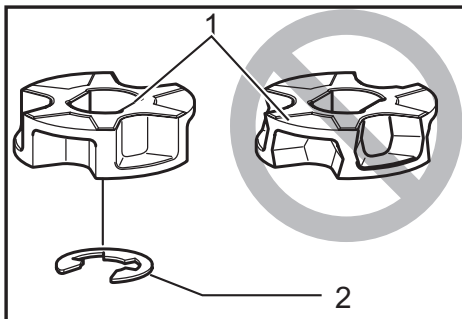
Insérez la batterie dans l'outil.

Appuyez sur la gâchette pour faire une vidange d'huile et faire sortir les poussières et petites particules accumulées dans l'orifice de vidange d'huile.

Retirez la batterie de l'outil.

Remettez en place le protecteur du pignon et la chaîne de la tronçonneuse.

## Remplacement du pignon

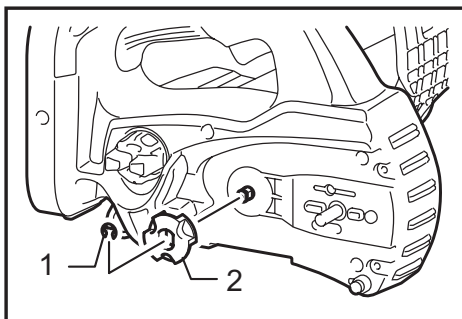


► 1. Roue dentée 2. Bague de retenue

Avant de poser une chaîne neuve, vérifiez l'état du pignon.

### ATTENTION :

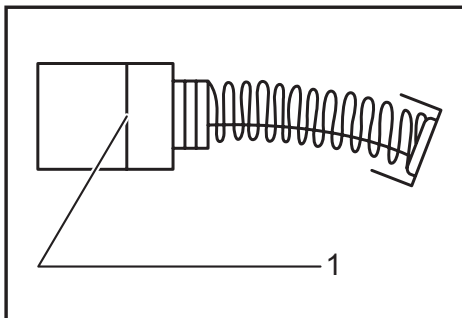
- Un pignon usé endommagera la chaîne neuve. Remplacez le pignon s'il est usé. Le pignon doit être installé de sorte qu'il soit toujours tourné de la façon illustrée dans la figure.



► 1. Bague de retenue 2. Roue dentée

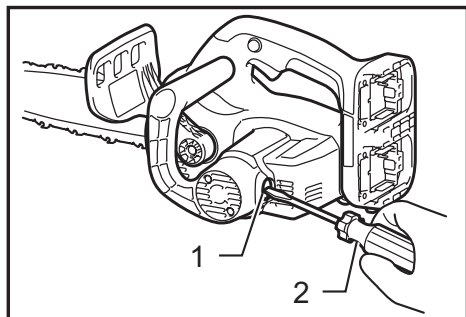
Lorsque vous remplacez le pignon, posez toujours un anneau de verrouillage neuf.

## Remplacement des charbons



► 1. Trait de limite d'usure

Retirez et vérifiez régulièrement les charbons. Remplacez-les lorsqu'ils sont usés jusqu'au trait de limite d'usure. Maintenez les charbons propres et en état de glisser aisément dans les porte-charbon. Les deux charbons doivent être remplacés en même temps. N'utilisez que des charbons identiques.



► 1. Bouchon de porte-charbon 2. Tournevis

Utilisez un tournevis pour retirer les bouchons de porte-charbon. Enlevez les charbons usés, insérez-en de nouveaux et revissez solidement les bouchons de porte-charbon.

## Rangement de l'outil

Nettoyez l'outil avant de le ranger. Retirez les copeaux et la poussière qui recouvrent l'outil après avoir enlevé le protecteur du guide-chaîne. Après avoir nettoyé l'outil, faites-le tourner à vide afin de lubrifier la chaîne et le guide-chaîne.

Recouvrez le guide-chaîne du protecteur du guide-chaîne.

Vidangez l'huile du réservoir à huile pour le vider et déposez la tronçonneuse.

Pour maintenir la SÉCURITÉ et la FIABILITÉ du produit, les réparations, tout autre travail d'entretien ou de réglage doivent être effectués dans un centre de service Makita agréé ou un centre de service de l'usine Makita, exclusivement avec des pièces de rechange Makita.

## Instructions pour entretien périodique

Pour garantir la longue durée de vie de l'outil, éviter tout endommagement et vérifier le bon fonctionnement des fonctions de sécurité, l'entretien suivant doit être réalisé régulièrement.

Les réclamations sous garantie peuvent être reconnues uniquement si cette tâche est effectuée régulièrement et correctement. Si l'entretien indiqué n'est pas effectué, il y a un risque d'accident!

L'utilisateur de la tronçonneuse ne doit pas réaliser des tâches d'entretien qui ne sont pas décrites dans le manuel d'instructions. Ces tâches doivent être réalisées par un centre de service après-vente agréé.

Élément	Temps de fonctionnement	Avant utilisation	Tous les jours	Toutes les semaines	Tous les 3 mois	Tous les ans	Avant l'entreposage
Tronçonneuse	Inspection.	○					
	Nettoyage.		○				
	Vérifier dans un centre de service après-vente agréé.					○	○
Chaîne	Inspection.	○					
	Affûtage au besoin.						○
Guide-chaîne	Inspection.	○	○				
	Le retirer de la tronçonneuse.						○
Frein de chaîne	Vérifier le fonctionnement.	○					
	Le faire inspecter régulièrement dans un centre de service après-vente agréé.				○		
Lubrification de la chaîne	Vérifier le débit d'huile.	○					
Gâchette	Inspection.	○					
Bouton de sécurité	Inspection.	○					
Bouchon du réservoir d'huile	Vérifier le serrage.	○					
Attrape-chaîne	Inspection.			○			
Vis et écrous	Inspection.			○			

# DÉPANNAGE

Avant de demander la réparation, commencez par inspecter l'outil vous-même. Si vous rencontrez un problème non recensé dans ce manuel, n'essayez pas de démonter l'outil. Demandez plutôt de l'aide à un centre de service après-vente Makita agréé, et utilisez toujours des pièces de remplacement Makita pour les réparations.

État du dysfonctionnement	Cause	Mesure
La tronçonneuse ne démarre pas.	Les deux batteries ne sont pas installées.	Installez les batteries chargées.
	Problème de batterie (sous tension).	Rechargez la batterie. Si cela ne fonctionne pas, remplacez la batterie.
La chaîne ne tourne pas.	Frein de chaîne engagé.	Relâchez le frein de chaîne.
Le moteur démarre et s'arrête aussitôt.	Le niveau de charge de la batterie est faible.	Rechargez la batterie. Si cela ne fonctionne pas, remplacez la batterie.
Pas d'huile sur la chaîne.	Le réservoir d'huile est vide.	Remplissez le réservoir d'huile.
	La rainure de guidage d'huile est sale.	Nettoyez le sillon.
	Le débit d'huile n'est pas réglé correctement.	Réglez le débit d'huile.
Il n'atteint pas la vitesse de rotation maximale.	La batterie n'est pas installée correctement.	Installez la batterie de la façon décrite dans le présent manuel.
	L'alimentation de la batterie chute.	Rechargez la batterie. Si cela ne fonctionne pas, remplacez la batterie.
	Le système d'entraînement ne fonctionne pas correctement.	Confiez les réparations au centre de service après-vente agréé de votre région.
La chaîne ne s'arrête pas même si le frein de chaîne est engagé : arrêtez la machine immédiatement!	Bande de frein usée.	Confiez les réparations au centre de service après-vente agréé de votre région.
Vibration anormale : arrêtez la machine immédiatement !	Guide-chaîne ou chaîne desserré.	Réglez la tension du guide-chaîne et de la chaîne.
	Dysfonctionnement de l'outil.	Confiez les réparations au centre de service après-vente agréé de votre région.

## ACCESSOIRES EN OPTION

### ATTENTION :

- Ces accessoires ou pièces complémentaires sont recommandés pour l'utilisation avec l'outil Makita spécifié dans ce mode d'emploi. L'utilisation de tout autre accessoire ou pièce complémentaire peut comporter un risque de blessure. N'utilisez les accessoires ou pièces qu'aux fins auxquelles ils ont été conçus.

Si vous désirez obtenir plus de détails concernant ces accessoires, veuillez contacter le centre de service après-vente Makita le plus près.

- Chargeur et batterie authentiques Makita
- Chaîne
- Guide-chaîne
- Protecteur du guide-chaîne
- Lime
- Sac de rangement

### NOTE :

- Certains éléments de la liste peuvent être inclus avec l'outil comme accessoires standard. Ils peuvent varier suivant les pays.

## **MAKITA LIMITED ONE YEAR WARRANTY**

### **Warranty Policy**

Every Makita tool is thoroughly inspected and tested before leaving the factory. It is warranted to be free of defects from workmanship and materials for the period of ONE YEAR from the date of original purchase. Should any trouble develop during this one year period, return the COMPLETE tool, freight prepaid, to one of Makita's Factory or Authorized Service Centers. If inspection shows the trouble is caused by defective workmanship or material, Makita will repair (or at our option, replace) without charge.

This Warranty does not apply where:

- repairs have been made or attempted by others:
- repairs are required because of normal wear and tear:
- the tool has been abused, misused or improperly maintained:
- alterations have been made to the tool.

IN NO EVENT SHALL MAKITA BE LIABLE FOR ANY INDIRECT, INCIDENTAL OR CONSEQUENTIAL DAMAGES FROM THE SALE OR USE OF THE PRODUCT. THIS DISCLAIMER APPLIES BOTH DURING AND AFTER THE TERM OF THIS WARRANTY.

MAKITA DISCLAIMS LIABILITY FOR ANY IMPLIED WARRANTIES, INCLUDING IMPLIED WARRANTIES OF "MERCHANTABILITY" AND "FITNESS FOR A SPECIFIC PURPOSE," AFTER THE ONE YEAR TERM OF THIS WARRANTY.

This Warranty gives you specific legal rights, and you may also have other rights which vary from state to state. Some states do not allow the exclusion or limitation of incidental or consequential damages, so the above limitation or exclusion may not apply to you. Some states do not allow limitation on how long an implied warranty lasts, so the above limitation may not apply to you.

# ESPECIFICACIONES

Modelo	DUC252		DUC302	
Velocidad de la cadena	8,3 m/s (500 m/min) (1 650 ft/min)			
Longitud de la barra guía	250 mm (10")		300 mm (12")	
Pieza barra de guía Núm.	168408-5		165245-8	
Tipo de barra guía de corte	Barra dentada			
Cadena de la sierra	Tipo	91PX		90PX
	Inclinación	3/8"		3/8"
	Número de eslabones ("drive links")	40		46
Número de dientes	6		6	
Longitud total (sin la barra de guía)	316 mm (12-1/2")			
Peso neto	4,1 kg (9,0 lbs)	4,6 kg (10,2 lbs)	4,1 kg (9,0 lbs)	4,7 kg (10,3 lbs)
Cartuchos de batería estándar	BL1815N / BL1820 / BL1820B	BL1830 / BL1830B / BL1840 / BL1840B / BL1850 / BL1850B / BL1860B	BL1815N / BL1820 / BL1820B	BL1830 / BL1830B / BL1840 / BL1840B / BL1850 / BL1850B / BL1860B
Tensión nominal	36 V c.c.			

- Debido a nuestro programa continuo de investigación y desarrollo, las especificaciones aquí dadas están sujetas a cambios sin previo aviso.
- Las especificaciones y el cartucho de la batería pueden variar de país a país.
- Peso de acuerdo al procedimiento de EPTA-01/2003 incluyendo el cartucho de la batería

## Advertencias de seguridad generales para herramientas eléctricas

**⚠️ ADVERTENCIA:** lea todas las advertencias de seguridad e instrucciones. Si no sigue todas las advertencias e instrucciones indicadas a continuación, podrá ocasionar una descarga eléctrica, un incendio y/o lesiones graves.

## Guarde todas las advertencias e instrucciones para su futura referencia.

El término "herramienta eléctrica" se refiere, en todas las advertencias que aparecen a continuación, a su herramienta eléctrica de funcionamiento con conexión a la red eléctrica (con cableado eléctrico) o herramienta eléctrica de funcionamiento a batería (inalámbrica).

### Seguridad en el área de trabajo

1. **Mantenga el área de trabajo limpia y bien iluminada.** Las áreas oscuras o desordenadas son propensas a accidentes.
2. **No utilice las herramientas eléctricas en atmósferas explosivas, tal como en la presencia de líquidos, gases o polvo inflamables.** Las herramientas eléctricas crean chispas que pueden prender fuego al polvo o los humos.
3. **Mantenga a los niños y curiosos alejados mientras utiliza una herramienta eléctrica.** Las distracciones le pueden hacer perder el control.

### Seguridad eléctrica

4. **Las clavijas de conexión de las herramientas eléctricas deberán encajar perfectamente en la toma de corriente. No modifique nunca la clavija de conexión de ninguna forma. No utilice ninguna clavija adaptadora con herramientas eléctricas que tengan conexión a tierra (puesta a tierra).** La utilización de clavijas no modificadas y que encajen perfectamente en la toma de corriente reducirá el riesgo de que se produzca una descarga eléctrica.
5. **Evite tocar con el cuerpo superficies conectadas a tierra o puestas a tierra tales como tubos, radiadores, cocinas y refrigeradores.** Si su cuerpo es puesto a tierra o conectado a tierra existirá un mayor riesgo de que sufra una descarga eléctrica.
6. **No exponga las herramientas eléctricas a la lluvia ni a condiciones húmedas.** La entrada de agua en una herramienta eléctrica aumentará el riesgo de que se produzca una descarga eléctrica.
7. **No jale el cable. Nunca utilice el cable para transportar, jalar o desconectar la herramienta eléctrica.** Mantenga el cable alejado del calor, aceite, objetos cortantes o piezas móviles. Los cables dañados o atrapados aumentan el riesgo de sufrir una descarga eléctrica.
8. **Cuando utilice una herramienta eléctrica en exteriores, utilice un cable de extensión apropiado para uso en exteriores.** La utilización de un cable apropiado para uso en exteriores reducirá el riesgo de que se produzca una descarga eléctrica.

9. **Si no es posible evitar usar una herramienta eléctrica en condiciones húmedas, utilice un alimentador protegido con interruptor de circuito de falla en tierra (ICFT).** El uso de un ICFT reduce el riesgo de descarga eléctrica.

#### Seguridad personal

10. **Manténgase alerta, preste atención a lo que está haciendo y utilice su sentido común cuando opere una herramienta eléctrica. No utilice la herramienta eléctrica cuando esté cansado o bajo la influencia de drogas, alcohol o medicamentos.** Un momento de distracción mientras opera la máquina puede dar como resultado heridas personales graves.
11. **Use equipo de protección personal. Póngase siempre protección para los ojos.** El equipo protector tal como máscara contra el polvo, zapatos de seguridad antiderrapantes, casco rígido y protección para oídos utilizado en las condiciones apropiadas reducirá las heridas personales.
12. **Impida el encendido accidental. Asegúrese de que el interruptor esté en la posición de apagado antes de conectar a la alimentación eléctrica y/o de colocar el cartucho de la batería, así como al levantar o cargar la herramienta.** Cargar las herramientas eléctricas con su dedo en el interruptor o enchufarlas con el interruptor encendido hace que los accidentes sean propensos.
13. **Retire cualquier llave de ajuste o llave de apriete antes de encender la herramienta.** Una llave de ajuste o llave de apriete que haya sido dejada puesta en una parte giratoria de la herramienta eléctrica podrá resultar en heridas personales.
14. **No utilice la herramienta donde no alcance. Mantenga los pies sobre suelo firme y el equilibrio en todo momento.** Esto permite un mejor control de la herramienta eléctrica en situaciones inesperadas.
15. **Use vestimenta apropiada. No use ropas sueltas ni joyas. Mantenga el cabello, la ropa y los guantes alejados de las piezas móviles.** Las prendas de vestir holgadas, las joyas y el cabello suelto podrían engancharse en estas piezas móviles.
16. **Si dispone de dispositivos para la conexión de equipos de extracción y recolección de polvo, asegúrese de conectarlos y utilizarlos debidamente.** La utilización de estos dispositivos reduce los riesgos relacionados con el polvo.

#### Mantenimiento y uso de la herramienta eléctrica

17. **No fuerce la herramienta eléctrica. Utilice la herramienta eléctrica correcta para su aplicación.** La herramienta eléctrica adecuada hará un trabajo mejor a la velocidad para la que ha sido fabricada.
18. **No utilice la herramienta eléctrica si el interruptor no la enciende y apaga.** Cualquier herramienta eléctrica que no pueda ser controlada con el interruptor es peligrosa y debe ser reemplazada.
19. **Desconecte la clavija de la fuente de energía y/o la batería de la herramienta eléctrica antes de realizar ajustes, cambiar accesorios o guardar las herramientas eléctricas.** Dichas medidas de seguridad preventivas reducen el riesgo de que la herramienta se inicie accidentalmente.

20. **Guarde la herramienta eléctrica que no use fuera del alcance de los niños y no permita que las personas que no están familiarizadas con ella o con las instrucciones la operen.** Las herramientas eléctricas son peligrosas en manos de personas que no saben operarlas.
21. **Realice el mantenimiento a las herramientas eléctricas. Compruebe que no haya partes móviles desalineadas o estancadas, piezas rotas y cualquier otra condición que pueda afectar al funcionamiento de la herramienta eléctrica. Si la herramienta eléctrica está dañada, haga que se la reparen antes de utilizarla.** Muchos accidentes son ocasionados por herramientas eléctricas con un mal mantenimiento.
22. **Mantenga las herramientas de corte limpias y filosas.** Si recibe un mantenimiento adecuado y tiene los bordes afilados, es probable que la herramienta se atasque menos y sea más fácil controlarla.
23. **Utilice la herramienta eléctrica, así como accesorios, piezas, brocas, etc. de acuerdo con estas instrucciones y de la manera establecida para cada tipo de unidad en particular; tenga en cuenta las condiciones laborales y el trabajo a realizar.** Si utiliza la herramienta eléctrica para realizar operaciones distintas de las indicadas, podrá presentarse una situación peligrosa.

#### Uso y cuidado de la herramienta a batería

24. **Realice la recarga sólo con el cargador especificado por el fabricante.** Un cargador que es adecuado para un solo tipo de batería puede generar riesgo de incendio al ser utilizado con otra batería.
25. **Utilice las herramientas eléctricas solamente con las baterías designadas específicamente para ellas.** La utilización de cualquier otra batería puede crear un riesgo de heridas o incendio.
26. **Cuando no se esté usando el cartucho de la batería, manténgalo alejado de otros objetos metálicos, como sujetapapeles (clips), monedas, llaves, clavos, tornillos u otros objetos pequeños de metal los cuales pueden actuar creando una conexión entre las terminales de la batería.** Cerrar el circuito de las terminales de la batería puede causar quemaduras o incendios.
27. **En condiciones abusivas, podrá escapar líquido de la batería; evite tocarlo. Si lo toca accidentalmente, enjuague con agua. Si hay contacto del líquido con los ojos, acuda por ayuda médica.** Puede que el líquido expulsado de la batería cause irritación o quemaduras.

#### Servicio de mantenimiento

28. **Haga que una persona calificada repare la herramienta utilizando sólo piezas de repuesto idénticas.** Esto asegura que se mantenga la seguridad de la herramienta eléctrica.
29. **Siga las instrucciones para la lubricación y cambio de accesorios.**
30. **Mantenga las agarraderas secas, limpias y sin aceite o grasa.**



## Advertencias de seguridad para la sierra a batería:

- Mantenga todas las partes del cuerpo alejadas de la cadena cuando el sierra eléctrica esté en marcha. Antes de iniciar la sierra, asegúrese que no esté en contacto con nada.** Durante un momento en que no tenga su atención a la sierra, puede que la cadena se enganche en su ropa o alguna parte de su cuerpo.
- Asegúrese siempre de sujetar la sierra con su mano derecha en el mango trasero y con la mano izquierda en el mango delantero.** Sujetar la herramienta con una configuración opuesta de las manos aumenta el riesgo de lesiones personales, por lo que nunca deberá intentarlo.
- Sujete la herramienta motorizada sólo a través de las superficies de empuñadura recubiertas con aislamiento, ya que puede que la sierra llegue a hacer contacto con cableado oculto.** Si la sierra entra en contacto con un cable con corriente, las piezas metálicas expuestas de la herramienta eléctrica se cargarán también de corriente y el operario puede recibir una descarga.
- Utilice gafas de seguridad y protección auditiva. Se recomienda el uso de equipo protector adicional para cabeza, manos y pies.** El uso de vestimenta adecuada con protección reducirá las lesiones causadas por residuos que salgan proyectados o por el contacto accidental con la sierra.
- No use la herramienta para talar árboles por completo.** El uso de la sierra en para talar por completo un árbol puede resultar en lesiones personales.
- Siempre pise firmemente y use la sierra sólo al estar de pie sobre una superficie fija, segura y nivelada.** Las superficies resbalosas o inestables como las escaleras pueden que ocasionen pérdida del equilibrio o del control de la sierra.
- Al cortar una rama que esté tensionada, esté atento de su liberación brusca.** Cuando la tensión en las fibras de la madera se liberan, puede que la rama tensionada se proyecte hacia el usuario y/o que le haga perder el control de la sierra.
- Tenga extrema precaución al cortar arbustos y árboles jóvenes pequeños.** El material tierno puede que quede atascado en la sierra y que salga proyectado hacia a usted o que le haga perder el equilibrio.
- Cargue la sierra eléctrica del mango delantero con la sierra apagada y alejada de su cuerpo. Al transportar o almacenar la sierra, coloque siempre la cubierta de la barra de guía.** La manipulación adecuada de la sierra reducirá la probabilidad del contacto accidental con la sierra encendida.
- Siga las instrucciones para la lubricación, tensión de la cadena y cambio de accesorios.** Una tensión o lubricación inadecuada de la sierra puede ya sea ocasionar un rompimiento o retroceso brusco.
- Mantenga los mangos secos, limpios y sin aceite o grasa.** Los mangos grasosos y con aceite son resbalosos y causan la pérdida del control.

- Corte sólo madera. No utilice la sierra eléctrica para propósitos para los que no esté diseñada. Por ejemplo: no use la herramienta para cortar plástico, mampostería y materiales de construcción que no sean madera.** El uso de la sierra para operaciones distintas para las que fue diseñada podría resultar en situaciones peligrosas.

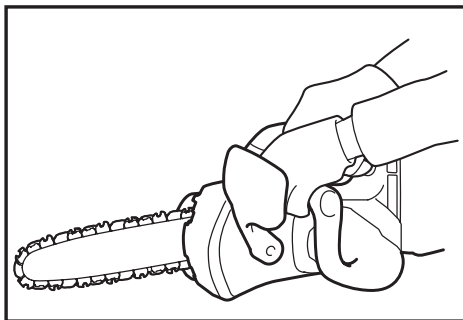
### 13. Causas de retrocesos y prevención por parte del operador:

El retroceso brusco puede ocurrir cuando la punta de la barra de la guía toca un objeto, o cuando la madera se dobla atrapando la sierra en el corte. El contacto de la punta en algunos casos puede que cause un reacción de retroceso instantánea, haciendo retroceder bruscamente la barra de guía hacia el operador.

El atascado de la sierra en conjunto con la parte superior de la barra de guía puede provocar un rápido retroceso brusco hacia el operador. Cualquiera de estas reacciones puede que ocasionen pérdida del control de la sierra lo cual podría resultar en lesiones personales. No depende exclusivamente de los dispositivos de seguridad incorporados en la sierra. Como operador de la sierra, deberá tomar las medidas necesarias para evitar accidentes y lesiones.

El retroceso es el resultado de un mal uso de la herramienta o de condiciones o procedimientos de uso incorrectos y se puede evitar tomando las precauciones que se indican a continuación.

- Mantenga una sujeción firme, rodeando las agarraderas con los dedos y los pulgares de ambas manos sobre la electrosierra y posicione su cuerpo y brazo de tal forma que resista los retrocesos bruscos.** Los retrocesos bruscos pueden controlarse por el operador si se toman las medidas de precaución apropiadas. No suelte la electrosierra al surgir un retroceso brusco.



- No exceda su alcance ni corte por encima de la altura de su hombro.** Esto le ayudará a prevenir que la punta haga contacto no intencionado y le permite tener un mejor control de la sierra durante situaciones inesperadas.
- Use sólo barras y cadenas de repuesto especificadas por el fabricante.** El reemplazo incorrecto de las barras y guías puede que ocasionen rotura de la cadena y/o retrocesos bruscos.



- **Siga las instrucciones de afilado y mantenimiento del fabricante para la sierra eléctrica.** Reducir la profundidad del calibrador puede ocasionar más retrocesos bruscos.
14. Antes de iniciar la labor, revise que la sierra se encuentre en buen estado y que cumpla con la normas de seguridad. Verifique particularmente que:
    - El freno de la cadena funciona correctamente.
    - El freno del ciclo funciona correctamente.
    - La barra y cubierta de la pieza dentada están bien colocadas.
    - La cadena de la sierra se ha afilado y tensionado de acuerdo con las normas de operación.
  15. **No arranque la electrosierra con la cubierta de la cadena colocada en ésta.** El arranque de la electrosierra con la cubierta de la cadena instalada en ésta puede que cause que la cubierta salga arrojada resultando en lesiones a la persona y daños a los objetos alrededor del operador.

## GUARDE ESTAS INSTRUCCIONES.

**⚠ADVERTENCIA:** NO DEJE que la comodidad o familiaridad con el producto (a base de utilizarlo repetidamente) sustituya la estricta observancia de las normas de seguridad para dicho producto. El MAL USO o el no seguir las normas de seguridad establecidas en este manual de instrucciones puede ocasionar graves lesiones personales.

### Símbolos

A continuación se muestran los símbolos utilizados para la herramienta.

V	voltios
— — —	corriente directa o continua
ft/min	pies por minuto
 	número de las piezas de la cadena de la sierra y barra de guía aplicable

## INSTRUCCIONES IMPORTANTES DE SEGURIDAD

### PARA CARTUCHO DE BATERÍA

1. Antes de utilizar el cartucho de batería, lea todas las instrucciones e indicaciones de precaución sobre (1) el cargador de baterías, (2) la batería, y (3) el producto con el que se utiliza la batería.

2. No desarme el cartucho de batería.
  3. Si el tiempo de operación se ha acortado en exceso, deje de operar de inmediato. Podría correrse el riesgo de sobrecalentamiento, posibles quemaduras e incluso explosión.
  4. En caso de que ingresen electrolitos en sus ojos, enjuáguelos bien con agua limpia y consulte de inmediato a un médico. Podría perder la visión.
  5. No cortocircuite el cartucho de batería:
    - (1) No toque las terminales con ningún material conductor.
    - (2) Evite guardar el cartucho de batería en un cajón junto con otros objetos metálicos, tales como clavos, monedas, etc.
    - (3) No exponga la batería de cartucho a la lluvia o nieve.
- Un corto circuito en la batería puede causar un flujo grande de corriente, sobrecalentamiento, posibles quemaduras y aún descomposturas.
6. No guarde la herramienta ni el cartucho de batería en lugares donde la temperatura pueda alcanzar o exceder los 50°C (122°F).
  7. Nunca incinere el cartucho de batería incluso en el caso de que esté dañado seriamente o ya no sirva en absoluto. El cartucho de batería puede explotar si se tira al fuego.
  8. Tenga cuidado de no dejar caer ni golpear el cartucho de batería.
  9. No use una batería dañada.
  10. Siga las regulaciones locales relacionadas al desecho de las baterías.

## GUARDE ESTAS INSTRUCCIONES.

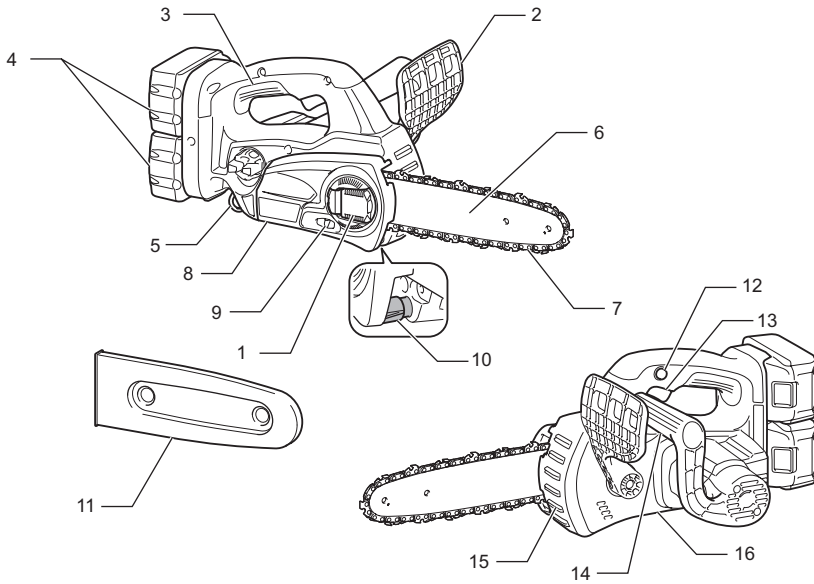
**⚠PRECAUCIÓN:** Use solo baterías auténticas de Makita.

El uso de baterías no auténticas de Makita, o baterías que hayan sido alteradas, puede que resulte en la explosión de la batería, originando un incendio, así como lesiones al usuario y daños. También anulará la garantía de Makita para la herramienta y el cargador Makita.

### Consejos para alargar al máximo la vida útil de la batería

1. Cargue el cartucho de batería antes de que se descargue completamente. Pare siempre la operación y cargue el cartucho de batería cuando note menos potencia en la herramienta.
2. No cargue nunca un cartucho de batería que esté completamente cargado. La sobrecarga acortará la vida de servicio de la batería.
3. Cargue el cartucho de batería a temperatura ambiente de 10°C - 40°C (50°F - 104°F). Si un cartucho de batería está caliente, déjelo enfriar antes de cargarlo.
4. Cargue el cartucho de batería si no lo ha usado por un largo período (más de seis meses).

# DESCRIPCIÓN DE LAS PIEZAS



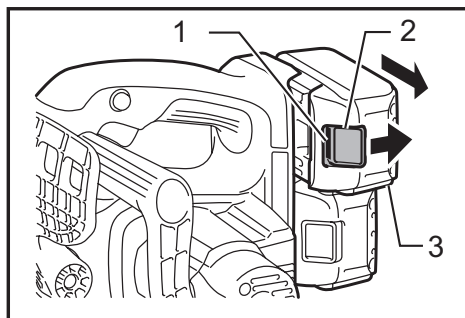
1	Palanca	2	Protector del mango delantero	3	Mango superior
4	Cartucho de batería	5	Carabina (punto de fijación de la cuerda)	6	Barra de guía
7	Cadena de la sierra	8	Cubierta de la pieza dentada	9	Control de ajuste de velocidad.
10	Receptor de la cadena	11	Cubierta de la barra de guía	12	Botón lock-off (bloqueo desactivado)
13	Gatillo interruptor	14	Agarradera frontal	15	Tope de pico
16	Tornillo ajustador para bomba de aceite (en parte inferior)	-	-	-	-

## DESCRIPCIÓN DEL FUNCIONAMIENTO

### ⚠️ PRECAUCIÓN:

- Asegúrese siempre de que la herramienta esté apagada y el cartucho de batería extraído antes de realizar cualquier ajuste o comprobación en la herramienta.

## Instalación o desmontaje del cartucho de batería



- 1. Indicador rojo 2. Botón 3. Cartucho de batería

### ⚠️ PRECAUCIÓN:

- Apague siempre la herramienta antes de colocar o quitar el cartucho de batería.
- **Sujete la herramienta y el cartucho de la batería con firmeza al colocar o quitar el cartucho.** Si no se sujeta con firmeza la herramienta y el cartucho de la batería, puede ocasionar que se resbalen de sus manos resultando en daños a la herramienta y al cartucho, así como lesiones a la persona.

Para quitar el cartucho de batería, deslícelo de la herramienta mientras desliza el botón sobre la parte delantera del cartucho.

Para colocar el cartucho de batería, alinee la lengüeta sobre el cartucho de batería con la ranura en la carcasa y deslice en su lugar. Inserte por completo hasta que se fije en su lugar con un pequeño clic. Si puede ver el indicador rojo del lado superior del botón, esto indica que no ha quedado fijo por completo.

### ⚠️ PRECAUCIÓN:

- Introduzca siempre completamente el cartucho de batería hasta que el indicador rojo no pueda verse. Si no, podría accidentalmente salirse de la herramienta y caer al suelo causando una lesión a usted o alguien a su alrededor.
- No instale el cartucho de batería a la fuerza: si el cartucho no se desliza al interior fácilmente, se debe a que no está siendo insertado correctamente.

### NOTA:

- La herramienta no funciona con solo un cartucho de batería.

## Sistema de protección de la herramienta / batería

La herramienta está equipada con un sistema de protección de la herramienta / batería. Este sistema corta en forma automática el suministro de energía al motor para prolongar la vida útil de la herramienta y batería. La herramienta se detendrá automáticamente durante el funcionamiento si la herramienta o la batería se someten a una de las siguientes condiciones: En algunas condiciones, las luces indicadoras se encienden.

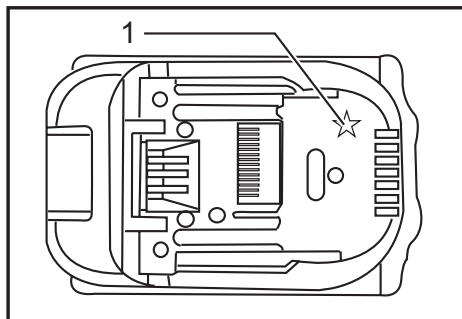
### Protección contra sobrecarga

Cuando la herramienta es utilizada de tal manera que cause un consumo anormalmente alto de corriente, la herramienta automáticamente se para sin indicación alguna. En este caso, apague la herramienta y detenga la aplicación que causó que la herramienta se sobrecargara. Luego encienda la herramienta y reinicie.

### Protección contra el sobrecalentamiento de la batería / herramienta

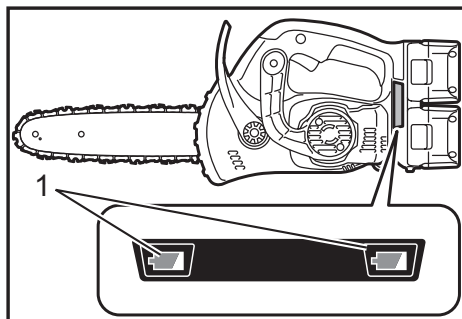
Cuando la batería / herramienta se sobrecalienta, la herramienta se para automáticamente sin indicación alguna. La herramienta no se acciona incluso al jalar el gatillo interruptor. En este caso, espere que la batería / herramienta se enfríe antes de volver a encender la herramienta.

**NOTA:** La protección contra el sobrecalentamiento de la batería funciona solamente con un cartucho de batería el cual presente una marca de estrella.



- 1. Marca de estrella

### Protección contra sobredescargas

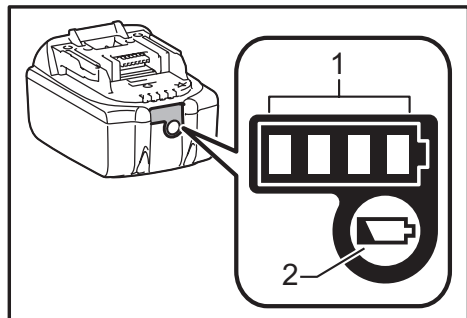


- 1. Indicador de batería

Quando la capacidad restante de la batería sea baja, la luz indicadora de la batería parpadea en el lado que corresponda de la batería. Si se continúa usando, la herramienta parará y el indicador de la batería se encenderá por alrededor de 10 segundos. En este caso, recargue el cartucho de batería.

## Indicación de la capacidad restante de la batería

(Solo para cartuchos de batería con una "B" al final del número de modelo.)



► 1. Luces indicadoras 2. Botón de verificación "CHECK"

Presione el botón de comprobación en el cartucho de la batería para indicar la capacidad restante de la batería. La luz indicadora se enciende por algunos segundos.

Luces indicadoras			Capacidad restante
Encendido	APAGADO	Intermitencia	
■	□	▧	75% a 100%
■	■	□	
■	■	□	50% a 75%
■	□	□	25% a 50%
■	□	□	0% a 25%
▧	□	□	Recargue la batería.
■	□	□	Puede que haya un defecto en el funcionamiento de la batería.
□	□	■	

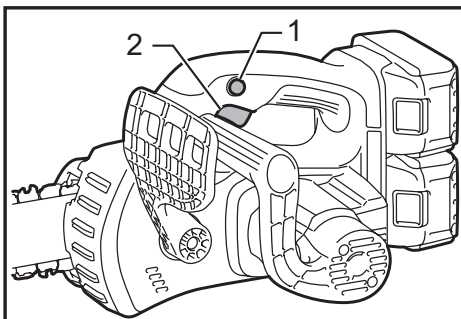
### NOTA:

- Dependiendo de las condiciones de uso y de la temperatura ambiental, puede que el nivel indicado difiera ligeramente de la capacidad real de la batería.

## Accionamiento del interruptor

### ⚠PRECAUCIÓN:

- Antes de insertar el cartucho de batería en la herramienta, compruebe siempre y cerciórese de que el gatillo interruptor se acciona debidamente y que vuelve a la posición "OFF" (apagado) cuando lo suelta.



► 1. Botón lock-off (bloqueo desactivado) 2. Gatillo interruptor

La herramienta posee un botón de desbloqueo a fin de evitar que el gatillo interruptor se accione accidentalmente.

Para encender la herramienta, pulse este botón y accione el gatillo. Para detener la herramienta, suelte el gatillo interruptor.

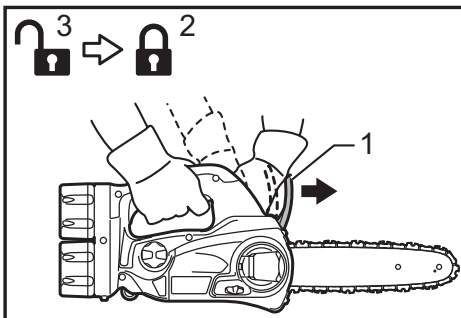
## Verificación del freno de la cadena

### NOTA:

- Si la sierra eléctrica no arranca, el freno de la cadena debe encontrarse liberado. Jale el protector del mango delantero hacia atrás con firmeza hasta que sienta que engarce.

Sujete la herramienta eléctrica con ambas manos al activarla. Sujete el mango superior con su mano derecha, y el mango delantero con su mano izquierda. La barra y la cadena no deberán estar haciendo contacto con ningún objeto.

Presiones primero el botón de desbloqueo y luego el gatillo interruptor. La sierra eléctrica arrancará de inmediato.



► 1. Protector del mango delantero 2. Bloqueo 3. Desbloqueo

Presione e protector del mango delantero hacia adelante con el dorso de su mano. La herramienta deberá detenerse de inmediato.

#### **⚠PRECAUCIÓN:**

- En caso de que la sierra no se detenga de inmediato al realizar esta prueba, la sierra no deberá usarse bajo ninguna circunstancia. Consulte con un centro de servicio especializado de MAKITA.

### Verificación del freno de ciclo

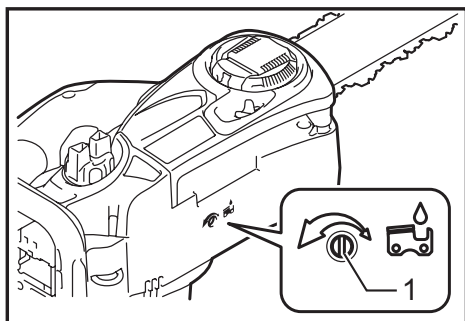
Active la sierra eléctrica.

Suelte el gatillo interruptor por completo. La sierra eléctrica deberá detenerse dentro de un segundo.

#### **⚠PRECAUCIÓN:**

- En caso de que la herramienta eléctrica no se detenga dentro de un segundo al realizar esta prueba, la sierra no deberá ser utilizada. Consulte con un centro de servicio especializado de MAKITA.

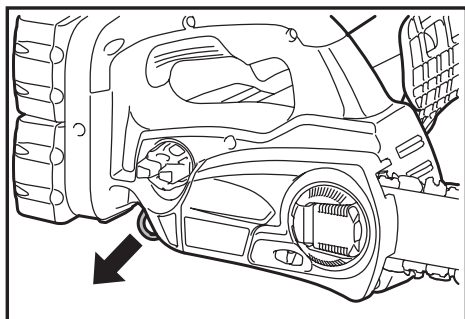
### Ajuste de la lubricación de la cadena



► 1. Tornillo de ajuste

Es posible ajustar la tasa de alimentación del bombeo de aceite con el tornillo ajustador. La cantidad de aceite puede ajustarse usando la llave universal.

### Carabina (punto de fijación de la cuerda)



La carabina (punto de fijación de la cuerda) se usa para colgar la herramienta. Antes de usar la carabina, jale para sacarla y amárrala a la cuerda.

## ENSAMBLE

#### **⚠PRECAUCIÓN:**

- Asegúrese siempre de que la herramienta esté apagada y el cartucho de batería extraído antes de realizar cualquier trabajo en la misma.

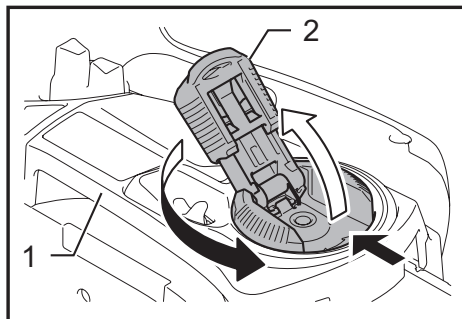
### Extracción e instalación de la cadena de sierra

#### **⚠PRECAUCIÓN:**

- Siempre use guantes al instalar o desinstalar la cadena de la sierra.
- La cadena de la sierra y barra de guía permanecen calientes justo tras su utilización. Deje que se enfríen lo suficiente antes de realizar cualquier servicio sobre la herramienta.

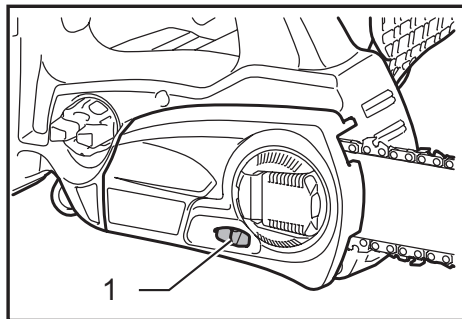
Para quitar la cadena de sierra, proceda con los siguientes pasos:

1. Presione y abra completamente la palanca hasta que tope.



► 1. Cubierta de la pieza dentada 2. Palanca

2. Gire el ajustador giratorio hacia la dirección "—" para liberar la tensión de la cadena de sierra.

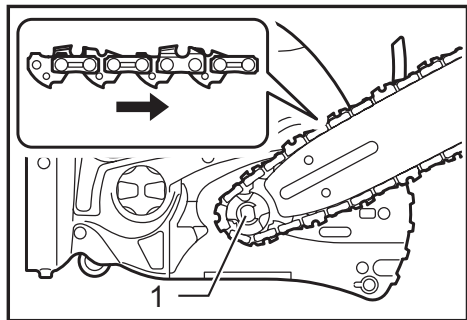


► 1. Control de ajuste de velocidad

3. Gire la palanca en sentido contrario a las agujas del reloj para aflojar la cubierta de la pieza dentada hasta que se salga.
4. Retire la cubierta de la pieza dentada.
5. Retire la cadena de la sierra y la barra de guía de la sierra.

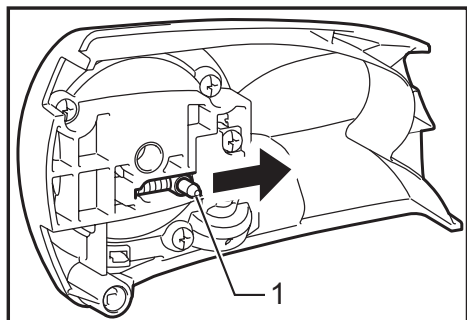
Para colocar la cadena de sierra, proceda con los siguientes pasos:

6. Asegúrese sobre la orientación de la cadena. La marca sobre la cadena muestra la orientación que debe aplicarse.



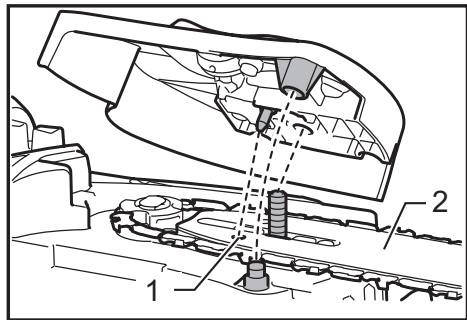
► 1. Rueda de engranaje

7. Ajuste un extremo de la cadena de sierra sobre la parte superior de la barra de guía y el otro alrededor de la pieza dentada.
8. Repose la barra de guía en su lugar sobre la sierra.
9. Gire el ajuste giratorio hacia la dirección "L" para deslizar el clavija ajustadora en dirección de la flecha.



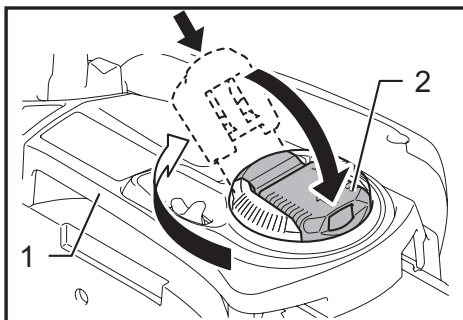
► 1. Clavija de ajuste

10. Coloque la cubierta de la pieza dentada en la sierra de tal forma que la clavija ajustadora quede colocada en el orificio pequeño de la barra de guía.



► 1. Orificio 2. Barra de guía

11. Dé un giro completo en sentido de las agujas del reloj con la palanca y luego un cuarto de giro en dirección opuesta para dejar aflojada la tensión de la cadena.
12. Gire el ajuste giratorio para ajustar la tensión de la cadena.
13. Gire la palanca en sentido de a las agujas del reloj para fijar la cubierta de la pieza dentada.



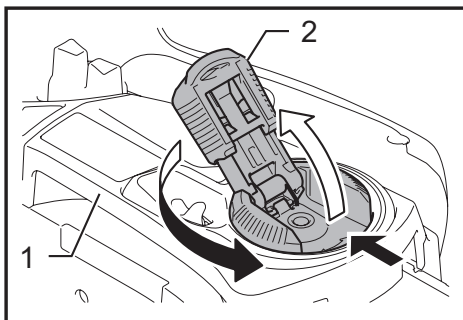
► 1. Cubierta de la pieza dentada 2. Palanca

14. Presione y regrese la palanca a su posición original.

## Ajuste la tensión de la cadena de la sierra.

Puede que la cadena de la sierra se afloje tras muchas horas de uso. De vez en cuando revise la tensión de la misma antes de usar.

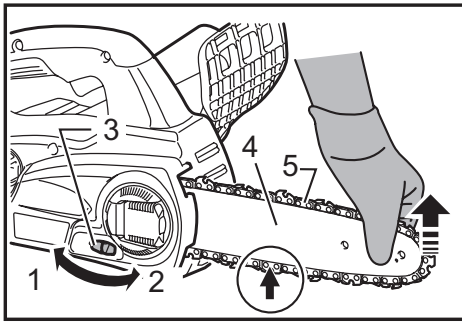
1. Presione y abra completamente la palanca hasta que haga clic. Gírela en sentido contrario a las agujas del reloj ligeramente para aflojar la cubierta de la pieza dentada un poco.



► 1. Cubierta de la pieza dentada 2. Palanca

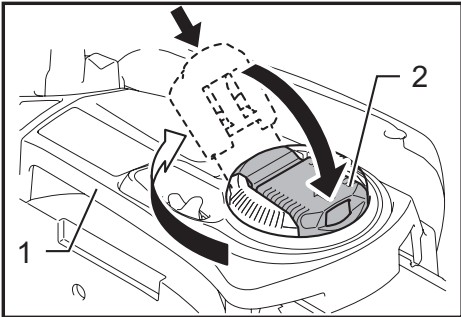
2. Levante la punta de la barra de guía levemente.





► 1. Aflojar 2. Apretar 3. Control de ajuste de velocidad 4. Barra de guía 5. Cadena de la sierra

3. Gire el ajuste giratorio para ajustar la tensión de la cadena. Apriete la cadena de la sierra hasta que el lado inferior de la cadena de la sierra embone en el riel de la barra de guía (refiérase al círculo en la figura ilustrada).
4. Continúe sosteniendo ligeramente la barra de guía y apriete la cubierta de la pieza dentada tras ajustar la tensión de la cadena. Asegúrese que la cadena de la sierra no quede floja del lado inferior.
5. Presione y regrese la palanca a su posición original.



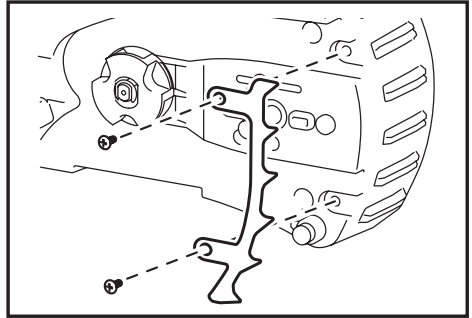
► 1. Cubierta de la pieza dentada 2. Palanca

Asegúrese de que la cadena de la sierra haya quedado colocada de forma ligeramente tensa en el lado inferior de la barra.

#### ⚠PRECAUCIÓN:

- No apriete demasiado la cadena de la sierra. Una cadena de sierra que se ha tensionado excesivamente puede que cause rotura de ésta, desgaste de la barra de guía y rotura del ajustador giratorio.
- Una cadena que quede muy holgada podría salirse de la barra, lo cual impone un riesgo de accidentes.
- Realice el procedimiento para colocar o quitar la sierra de cadena en un lugar libre de polvo o residuos similares.

## Topo de picos (accesorio opcional)



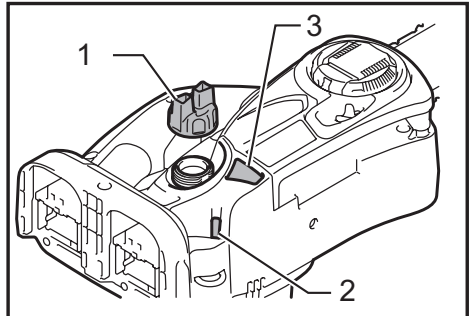
Para instalar el topo de picos, siga los pasos a continuación:

1. Retire la cubierta de la pieza dentada, la cadena de la sierra y la barra de guía tal como se describe en este manual de instrucciones.
2. Coloque el topo de picos, con los picos orientados hacia arriba, de manera que sus orificios queden alineados con los orificios provistos en la sierra eléctrica.
3. Apriete el topo de picos con los dos tornillos suministrados.

## OPERACIÓN

⚠**PRECAUCIÓN:** No cubra las rejillas de ventilación o puede que se genere un sobrecalentamiento que dañe la herramienta.

## Lubricación



► 1. Tapa del tanque de aceite 2. Ventanilla de inspección de aceite (para el resuministro del tanque de aceite) 3. Ventanilla de inspección de aceite

La sierra se lubrica automáticamente cuando la herramienta está bajo operación.

Verifique la cantidad de aceite restante en tanque de aceite a través de su ventanilla correspondiente.

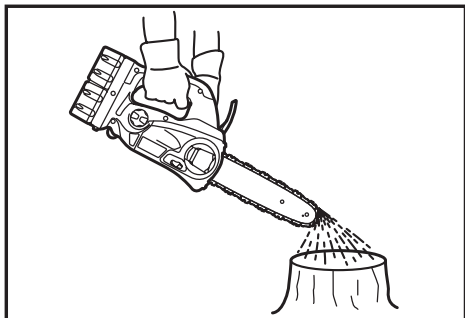
Para reabastecer el tanque, quite la tapa de la apertura del tanque de aceite.

Tras haber resuministrado el tanque, atornille siempre la tapa del tanque incluida en la sierra.



### **⚠PRECAUCIÓN:**

- Al llenar la sierra eléctrica con el aceite para la cadena por primera vez, o al resuministrar el tanque una vez que se haya vaciado, añada aceite hasta el borde inferior del cuello de la abertura de suministro. De otra manera, puede que el suministro de aceite para la lubricación se afecte.
- Como sierra que hace uso de aceite, use el aceite Makita exclusivo para sierras eléctricas o similar disponible en el mercado.
- Nunca use aceite que tenga polvo o residuos, ni aceite volátil.
- Al podar árboles, use aceite vegetal. Puede que el aceite mineral dañe los árboles.
- Nunca fuerce la sierra eléctrica al podar árboles.
- Antes de cortar, asegúrese de que la tapa incluida para el tanque de aceite se encuentra atomillada en su lugar.



Sujete la sierra eléctrica alejada del árbol. Actívela y espere hasta que la lubricación de la cadena se adecuada.

Aproxime el tope de pico en contacto con la rama que va a cortar antes de encenderla. De lo contrario, puede que cause un tambaleo de la barra de guía, resultando en lesiones al usuario.

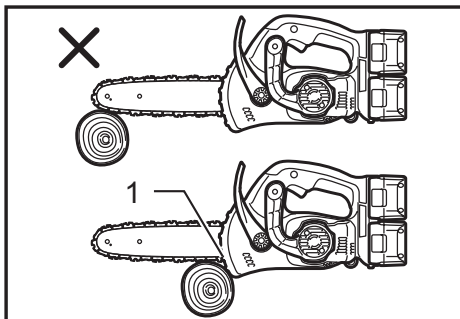
Asierre la madera a ser cortada con tal solo mover hacia abajo.

## **OPERACIÓN DE LA SIERRA ELÉCTRICA**

### **⚠PRECAUCIÓN:**

- El usuario primerizo deberá, como práctica mínima, cortar leña sobre un caballete, borriquete o andamio.
- Al aserrar madera precortada, utilice un apoyo que brinde seguridad (como una base o caballete). No mantenga la pieza de trabajo fija con su pie, ni deje que alguien más la sostenga mientras se hace el corte.
- Fije las piezas circulares para que no giren.

## **Podado de árboles**

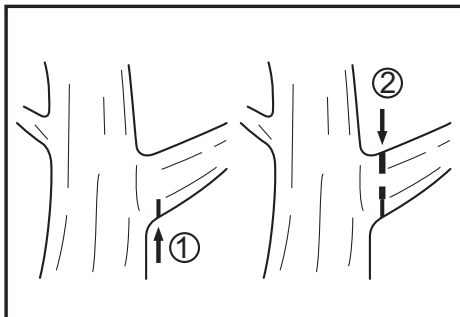


► 1. Tope de pico

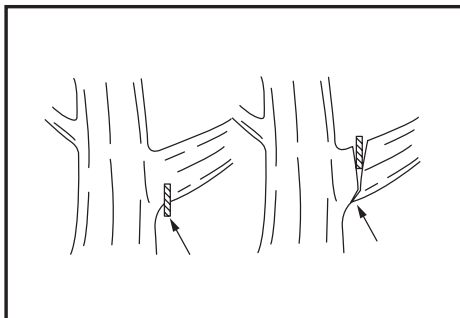
### **⚠PRECAUCIÓN:**

- Mantenga todas las partes del cuerpo alejadas de la sierra cuando el motor esté en marcha.
- Sostenga la sierra firmemente con ambas manos cuando el motor esté en marcha.
- No se exceda al querer alcanzar algo. Mantenga los pies firmes y el equilibrio en todo momento.

Aproxime el tope de pico en contacto con la rama que va a cortar antes de encenderla. El cortar sin aproximar el tope de pico en contacto con la rama puede que cause que la barra de guía se tambalee generando lesiones al usuario.

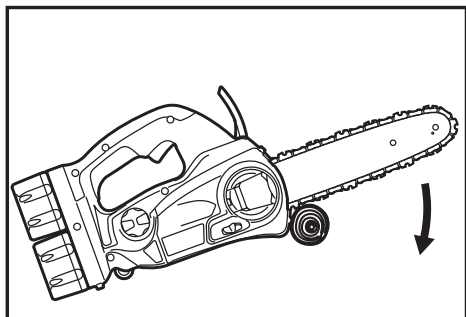


Al cortar ramas gruesas, primero haga un corte superficial en la parte inferior de la rama y luego termine el corte por la parte superior.



Si intenta cortar ramas gruesas desde su lado inferior, puede que la rama se doble hacia adentro atrapando la sierra durante el corte.

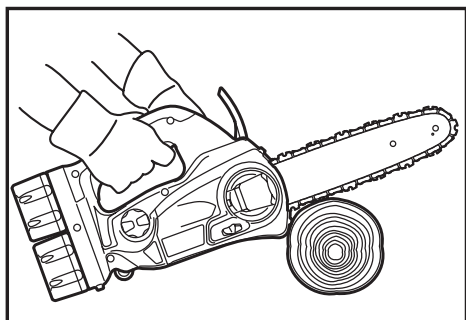
Si intenta cortar ramas gruesas desde el lado superior sin un corte superficial en el lado inferior, puede que la rama se desgarre.



Si no es posible cortar un árbol completamente de una sola pasada:

Aplique presión levemente con el mango mientras retrocede la sierra un poco intermitentemente mientras continúa aserrando; luego aplique la sierra un poco más abajo y termine el corte al elevar con el mango.

## Aserrado

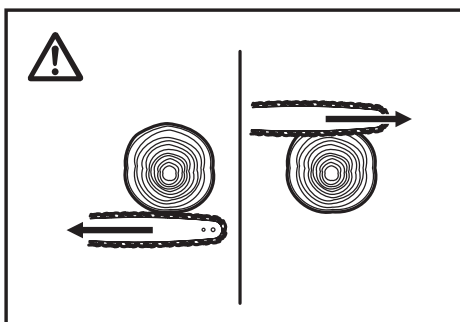


Para cortes de aserrado, repose el tope de pico que se ilustra en la figura sobre la madera a ser cortada.

Con la cadena de la sierra accionada, asierre la madera usando el mango superior para elevar la sierra y el mango frontal para guiarla. Use el tope de pico como punto de pivote.

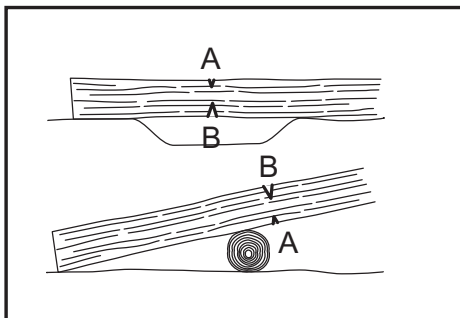
Continúe el corte al aplicar presión ligera al mango delantero, aliviando la sierra por la parte trasera ligeramente. Mueva el tope de pico más al fondo en la madera y eleve de nuevo con el mango delantero.

Al hacer varios cortes, desactive y reactive la herramienta entre éstos.



### **⚠PRECAUCIÓN:**

- Si el borde superior de la barra se usa para el corte, puede que la sierra se desvíe hacia usted si la cadena llega a atascarse. Por esta razón, realice los cortes con el borde inferior de tal forma que la sierra se desvíe alejándose de su cuerpo.



Corte madera que esté bajo tensión sobre el lado de presión (A) primero. Luego haga el corte final sobre el lado de tensión (B). Esto previene que la barra vaya a quedar atrapada.

## Desmembrado

### **⚠PRECAUCIÓN:**

- El desmembrado (en un árbol ya talado) solo deberá realizarse por personas capacitadas. Hay un peligro que surge con el riesgo de retrocesos bruscos.

Al desmembrar, apoye la sierra eléctrica sobre el tronco (del árbol ya talado) de ser posible. No realice los cortes con la puna de la barra, ya que esto representa un riesgo de retroceso brusco.

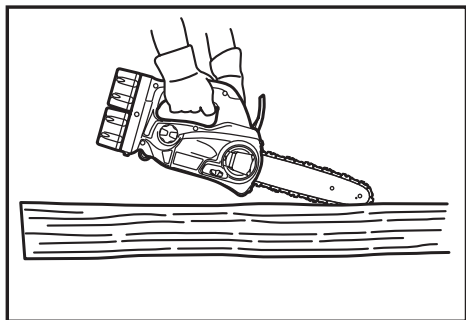
Ponga especial atención a las ramas que estén tensionadas. No corte ramas que no estén apoyadas por debajo.

No se pare sobre el tronco talado al estar desmembrando.

## Excavación y cortes en paralelo a la fibra

### ⚠️ PRECAUCIÓN:

- Le excavación y los cortes en paralelo a la fibra solo podrán realizarse por personas con preparación especial. La posibilidad de retrocesos bruscos impone un riesgo de lesión.



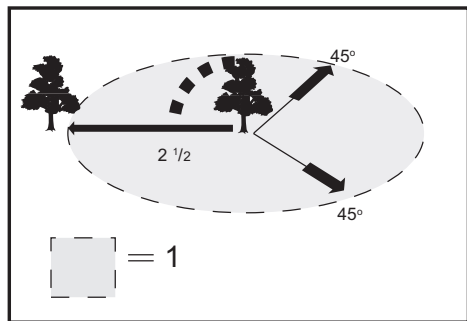
Realice los cortes en paralelo a la fibra a un ángulo tan superficial como sea posible. Realice el corte con el máximo cuidado, puesto que no se puede usar el tope de pico.

## Talado

### ⚠️ PRECAUCIÓN:

- El talado solo deberá realizarse por personas capacitadas. Esta labor es peligrosa.

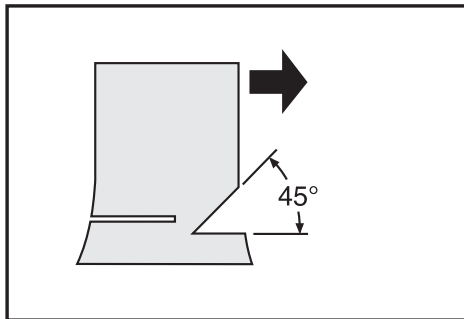
Cumpla con las normas de su localidad al querer talar un árbol.



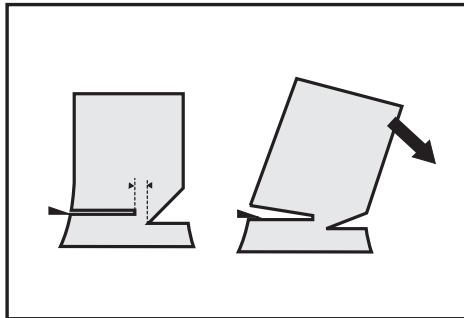
► 1. Área de talado

- Antes de comenzar el talado, asegúrese que:
  - (1) Sólo las personas involucradas en la operación se encuentren en la proximidad.
  - (2) Cualquier persona involucrada cuente con una ruta despejada de retirada mediante un rango de aproximadamente 45° en cada lado del eje de talado. Tenga en consideración el riesgo adicional de tropezones con cables eléctricos.
  - (3) La base del tronco esté libre de objetos extraños, raíces y ramas.
  - (4) No haya personas ni objetos en una distancia equivalente a 2 1/2 la longitud del árbol en dirección en el cual el árbol será derribado.

- Tenga en consideración lo siguiente para cada árbol:
  - Dirección de inclinación.
  - Ramas flojas o secas.
  - Altura del árbol.
  - Proyección natural.
  - Ya sea que el árbol esté o no podrido.
- Tenga en consideración la velocidad y dirección del viento. No realice operaciones de talado si el viento sopla fuertemente.
- Podado de raíces protuberantes: comience con la protuberancias más grandes. Haga un corte vertical primero, y luego horizontal.

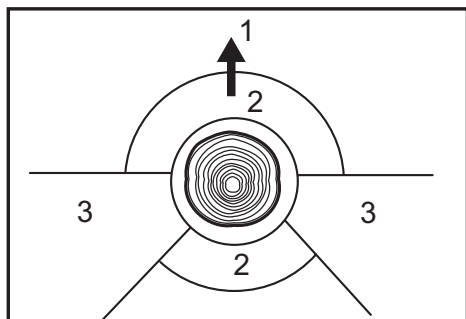


- Corte de una hendidura: la hendidura determina la dirección a la cual caerá el árbol y sirve de guía para su caída. Se realiza sobre el costado hacia el cual el árbol caerá. Corte la hendidura tan aproximada al suelo como sea posible. Primero realice un corte horizontal con una profundidad de 1/5 a 1/3 del diámetro del tronco. Evite hacer la hendidura demasiado grande. Luego haga el corte diagonalmente.
- Haga los cortes para cualquier corrección de la hendidura a través de toda su amplitud.



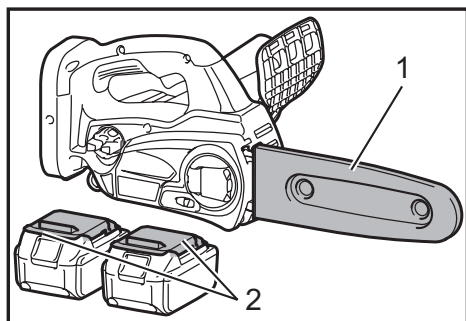
- Haga el corte trasero un poco más arriba de la base del corte de la hendidura. El corte trasero deberá ser exactamente horizontal. Deje aproximadamente 1/10 de diámetro del tronco entre el corte trasero y la hendidura. Las fibras de la madera en el tronco aún si cortar actuarán como una bisagra. No corte directamente a través de las fibras debajo bajo ninguna circunstancia, de otra manera, el árbol caerá desenfundadamente. Inserte cuñas en el corte trasero en el momento oportuno.

- Sólo se deben usar cuñas de plástico o aluminio para mantener el corte trasero abierto. El uso de cuñas de hierro está prohibido.
- Ubíquese a un costado del árbol que está por caer. Mantenga el área despejada por detrás del árbol que está por caer a un ángulo de 45° en cada lado del eje del árbol (consulte la figura "Área de talado"). Ponga atención a las ramas que estén cayendo.
- Se debe planear una ruta de escape despejada según se requiera antes de iniciar los cortes. La ruta de escape deberá extenderse hacia atrás y en forma diagonal a la parte trasera de la línea de caída esperada como se ilustra en la figura.



► 1. Dirección de talado 2. Zona peligrosa 3. Ruta de escape

## Transporte de la herramienta



► 1. Cubierta de la barra de guía 2. Cubierta de la batería

Retire siempre el cartucho de la batería de la herramienta y empalme la barra de guía con la cubierta de la barra de guía antes de cargar la herramienta. También cubra el cartucho de la batería con su cubierta correspondiente.

## MANTENIMIENTO

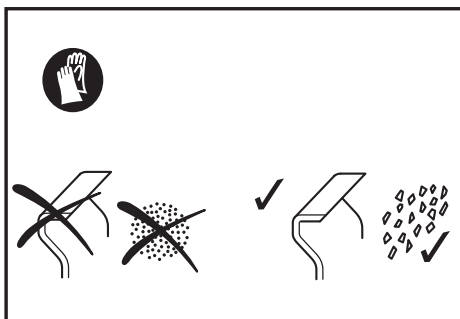
### ⚠PRECAUCIÓN:

- Asegúrese siempre de que la herramienta esté apagada y el cartucho de batería extraído antes de intentar realizar una inspección o mantenimiento.
- Siempre use guantes al realizar cualquier inspección o mantenimiento.
- Nunca use gasolina, bencina, diluyente (tíner), alcohol o sustancias similares. Puede que esto ocasione grietas o descoloramiento.

## Afilado de la sierra eléctrica

### ⚠PRECAUCIÓN:

- Siempre retire el cartucho de la batería y use guantes protectores al realizar labores de mantenimiento de la sierra eléctrica.



### Afile de la sierra eléctrica cuando:

- Se produzca aserrín con consistencia harinosa al cortar madera húmeda.
- La sierra penetra la madera con dificultad, incluso al aplicar gran presión.
- El borde de corte esté evidentemente dañado.
- La sierra se desvía hacia la izquierda o derecha en la madera. El motivo de esta reacción se debe a un afilado no uniforme en la sierra, o por que hay daño en uno de sus lados.

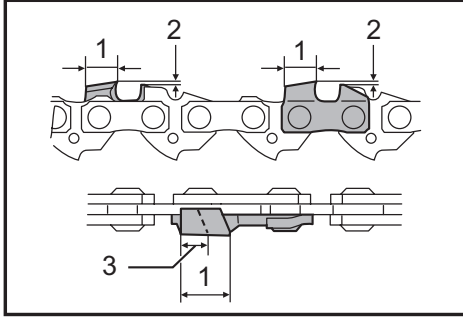
### Afile la herramienta con frecuencia, pero sólo despeje un poco del material cada vez.

Por lo general es suficiente con sólo dos o tres pasadas con una lima a manera de reafileado de rutina. Cuando al sierra haya sido reafileada varias veces, llévela a que ésta sea afilada a un centro de servicio especializado de MAKITA.

### Criterio de afilado:

- Todas las partees cortadoras deberán tener la misma longitud. Las partees cortadoras de diferente longitud impiden que la cadena se accione fácilmente y puede que ocasione rotura de la cadena.

- No afile la cadena una vez que un mínimo de 3 mm de las partes cortadoras se haya alcanzado. En ese caso se deberá usar una nueva cadena.
- El grosor de virutas se determina por la distancia entre el calibrador de profundidad (boquilla redonda) y el borde cortador.
- Los mejores resultados de corte se obtienen al seguir la distancia entre el borde cortador y el calibrador de profundidad.
  - Cuchilla de la cadena 90PX: 0,5 mm (0,016")
  - Cuchilla de la cadena 91PX: 0,65 mm (0,025")

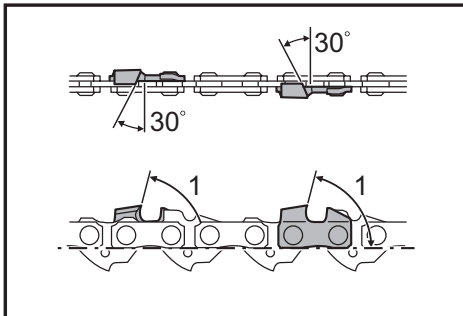


- 1. Longitud de corte 2. Distancia entre el borde cortador y el calibrador de profundidad 3. Mínimo 3 mm

#### ⚠ ADVERTENCIA:

- Una distancia excesiva aumenta el riesgo de retrocesos bruscos.
- El ángulo de afilado de 30° deberá ser el mismo en todas las partes cortadoras. Las diferencias de ángulo pueden causar que la cadena corra de forma brusca e irregular, acelera el desgaste y resulta en rotura de la cadena.
- El ángulo de la placa lateral de la parte cortadora se determina por la profundidad de penetración de la lima redonda. Si la lima especificada se usa correctamente, el ángulo de la placa lateral correcto se producirá de forma automática.
- El ángulo correcto de la placa lateral para cada cadena de la sierra es:

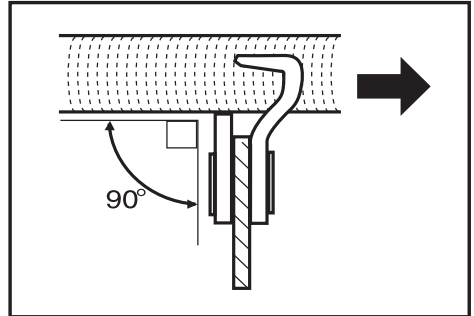
Cuchilla de la cadena 90PX: 75°  
Cuchilla de la cadena 91PX: 80°



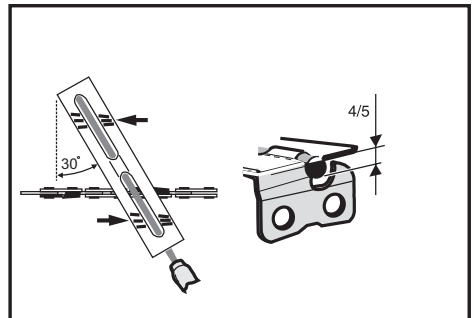
- 1. Ángulo de la placa lateral

## Limado y guiado del limado

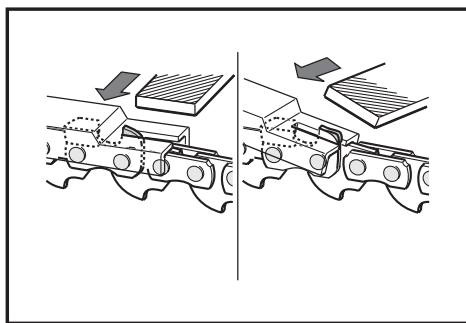
- Use una lima especial redonda (accesorio opcional) para cadenas de sierra para afilar la cadena. Las limas redondas comunes no son propicias para esta labor.
- El diámetro de la lima redonda para cada cadena de sierra es:
  - Cuchilla de la cadena 90PX: 4,5 mm (3/16")
  - Cuchilla de la cadena 91PX: 4,0 mm (11/64")
- La lima no deberá engarzarse en la parte cortadora al realizar una pasada hacia delante. En la pasada de regreso (hacia atrás), alce la lima para alejarla de la parte cortadora.
- Afile la parte cortadora más pequeña primero. Luego la longitud de dicha parte más pequeña se volverá el estándar para todas las demás partes cortadoras de la sierra.



- Guíe la lima como se ilustra en la figura.
- La lima puede guiarse más fácilmente si se usa un sujetador de limas (accesorio opcional). El sujetador de limas cuenta con marcas para un ángulo de afilado adecuado de 30° (alinee las marcas paralelas a la cadena de sierra) y limita la profundidad de penetración (a 4/5 del diámetro de la lima).

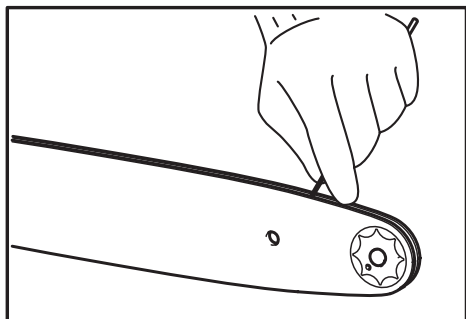


- Tras el afilado de la cadena, verifique la altura del calibrador de profundidad mediante la herramienta de calibración de la cadena (accesorio opcional).



- Elimine cualquier material protuberante, independiente de cuán pequeño sea, con una lima plana especial (accesorio opcional).
- Redondee la parte delantera del calibrador de profundidad de nuevo.

## Limpeza de la barra de guía



Las virutas, astillas y el aserrín se acumularán en la ranura de la barra de guía lo cual obstruye y compromete el flujo de aceite. Siempre limpie la herramienta de astillas y aserrín al afilar o reemplazar la cadena de la sierra.

## Limpeza del orificio de descarga de aceite

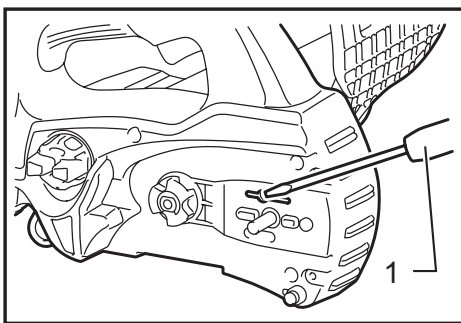
Es posible la acumulación de polvo y pequeñas partículas en el orificio de descarga de aceite durante la operación.

La acumulación de polvo y pequeñas partículas en el orificio de descarga de aceite puede estropear el flujo de la descarga de aceite y causar una lubricación deficiente en toda la cadena de la sierra.

Cuando hay un suministro pobre de aceite en la cadena en la barra de guía superior, limpie el orificio de descarga de aceite como se indica a continuación.

Quite el cartucho de batería de la herramienta.

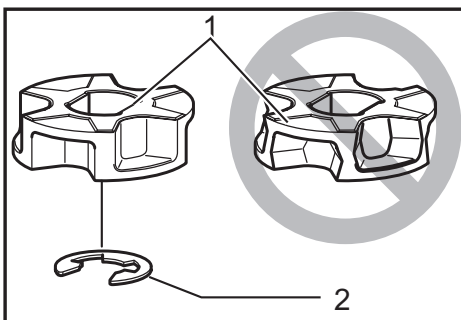
Retire de la herramienta la cubierta de la rueda de engranaje y la cadena de la sierra (vea la sección titulada "Instalación y desinstalación de la cadena de la sierra").



- 1. Destornillador ranurado

Elimine el polvo y las pequeñas partículas usando un destornillador acanalado de cuerpo delgado o similar. Inserte el cartucho de batería en la herramienta. Jale el gatillo interruptor para eliminar los desechos acumulados de polvo y partículas del orificio de descarga de aceite al descargar el aceite de la cadena. Quite el cartucho de batería de la herramienta. Reinstale en la herramienta la cubierta de la rueda de engranaje y la cadena de la sierra.

## Reemplazo de la pieza dentada



- 1. Rueda de engranaje 2. Anillo de bloqueo

Antes de ajustar una nueva cadena a la sierra, verifique la condición de la pieza dentada.

### ⚠PRECAUCIÓN:

- Una pieza dentada desgastada dañará una cadena nueva de la sierra. En este caso, lleve la herramienta a que le reemplacen la pieza dentada. La pieza dentada requiere ser instalada de tal forma que siempre esté orientada como se ilustra en la figura.

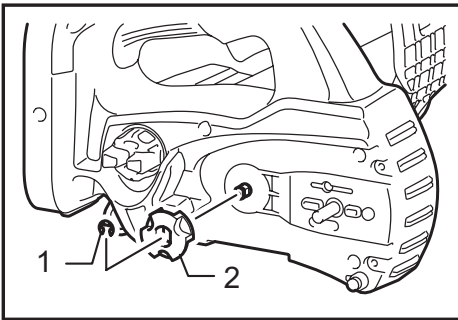
## Almacenamiento de la herramienta

Limpie la herramienta antes de guardarla. Retire cualquier astilla y aserrín que quede en la herramienta después de quitar la cubierta de la pieza dentada. Tras limpiar la herramienta, actívela sin aplicar carga alguna para que la cadena de la sierra y la barra de guía se lubriquen.

Cubra la barra de guía con la cubierta de la barra de guía.

Retire el aceite del tanque de aceite para vaciarlo y coloque la cadena de la sierra.

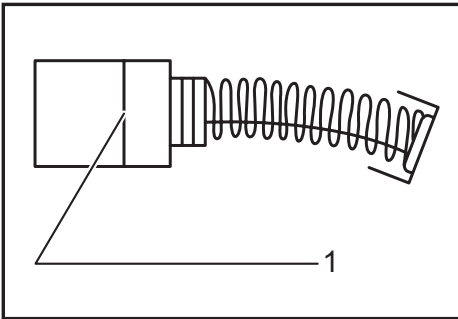
Para mantener la **SEGURIDAD** y **FIABILIDAD** del producto, las reparaciones, y cualquier otra tarea de mantenimiento o ajuste deberán ser realizadas en Centros de Servicio Autorizados por Makita, empleando siempre repuestos Makita.



► 1. Anillo de bloqueo 2. Rueda de engranaje

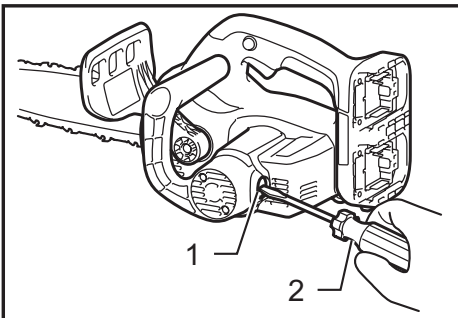
Ajuste siempre un nuevo anillo de bloqueo nuevo al reemplazar la pieza dentada.

## Reemplazamiento de las escobillas de carbón



► 1. Marca límite

Extraiga e inspeccione de forma periódica las escobillas de carbón. Sustitúyalas cuando se hayan gastado hasta la marca límite. Mantenga las escobillas de carbón limpias de forma que entren libremente en los portaescobillas. Ambas escobillas de carbón deberán ser sustituidas al mismo tiempo. Utilice únicamente escobillas de carbón originales e idénticas.



► 1. Tapa del carbón 2. Destornillador

Utilice un destornillador para quitar Tapa del carbón. Extraiga las escobillas gastadas, inserte las nuevas y vuelva a colocar las tapas.

## Instrucciones para el mantenimiento periódico

Para asegurar una vida útil prolongada, prevenga el daño y asegure un funcionamiento total de las funciones de seguridad, se deberá seguir el siguiente programa de mantenimiento de forma periódica.

Las reclamaciones de garantía podrán ser reconocidas solamente se realiza este mantenimiento como corresponde. ¡No seguir este programa de mantenimiento indicado puede resultar en accidentes!

El usuario de la sierra no debe realizar ninguna operación de mantenimiento que no esté descrita en este manual de instrucciones. Para dichos casos, todo deberá llevarse a cabo en un centro de servicio autorizado.

Elemento	Tiempo de operación	Antes de la operación	Cada día	Cada semana	Cada 3 meses	Cada año	Antes del almacenamiento
Sierra	Inspección.	<input type="radio"/>					
	Limpeza.		<input type="radio"/>				
	Comprobar en un centro de servicio autorizado.					<input type="radio"/>	<input type="radio"/>
Cadena de la sierra	Inspección.	<input type="radio"/>					
	Affilar en caso de ser necesario.						<input type="radio"/>
Barra de guía	Inspección.	<input type="radio"/>	<input type="radio"/>				
	Retirar de la sierra.						<input type="radio"/>
Freno de la cadena	Comprobar el funcionamiento.	<input type="radio"/>					
	Llevar periódicamente la herramienta a inspección a un centro de servicio autorizado.				<input type="radio"/>		
Lubricación de la cadena	Comprobar la tasa de alimentación de aceite.	<input type="radio"/>					
Gatillo interruptor	Inspección.	<input type="radio"/>					
Botón lock-off (bloqueo desactivado)	Inspección.	<input type="radio"/>					
Tapa del tanque de aceite	Comprobar el apretado de la pieza.	<input type="radio"/>					
Receptor de la cadena	Inspección.			<input type="radio"/>			
Tuercas y tornillos	Inspección.			<input type="radio"/>			

## RESOLUCIÓN DE PROBLEMAS

Antes de solicitar algún servicio de reparación, realice su propia inspección primero. No desmantele la herramienta de manera compulsiva si detecta algún problema que no se explica en este manual. En su lugar, consulte con un Centro de Servicio Autorizado de Makita, usando siempre piezas de repuesto Makita para las reparaciones.

Condición del funcionamiento defectuoso	Causa	Acción
La sierra no arranca.	No se ha instalado dos cartuchos de batería.	Instale cartuchos de batería recargados.
	Problema con la batería (bajo voltaje).	Recargue el cartucho de batería. Si el recargado no es efectivo, cambie el cartucho de batería.
Inactividad de la cadena.	Freno de la cadena accionado.	Libere el freno de la cadena.
El motor deja de correr al poco tiempo de estar activo.	El nivel de recarga de la batería es bajo.	Recargue el cartucho de batería. Si el recargado no es efectivo, cambie el cartucho de batería.
No hay aceite en la cadena.	Depósito de aceite vacío.	Llene el depósito de aceite.
	Ranura de la guía de aceite sucia.	Limpe la ranura.
	Ajuste del suministro de aceite inadecuado.	Ajuste la cantidad del suministro de aceite.
No se alcanza el nivel máximo de RPM.	El cartucho de batería está mal colocado.	Instale el cartucho de batería como se describe en el manual.
	La energía de la batería está reduciéndose.	Recargue el cartucho de batería. Si el recargado no es efectivo, cambie el cartucho de batería.
	El sistema de accionamiento no funciona correctamente.	Solicite servicio de reparación en los centros de servicio autorizado.
La cadena no se para incluso con accionamiento del freno de la cadena: ¡interrumpa la operación del equipo de inmediato!	Banda del freno desgastada.	Solicite servicio de reparación en los centros de servicio autorizado.
Vibración anormal: ¡interrumpa la operación de inmediato!	Barra de guía o cadena de sierra holgada.	Ajuste la barra de guía y la tensión de la cadena de sierra.
	Funcionamiento defectuoso de la herramienta.	Solicite servicio de reparación en los centros de servicio autorizado.



# ACCESORIOS OPCIONALES

## **⚠️ PRECAUCIÓN:**

- Estos accesorios o aditamentos (incluidos o no) están recomendados para utilizar con su herramienta Makita especificada en este manual. El empleo de cualesquiera otros accesorios o acoplamientos conllevará un riesgo de sufrir heridas personales. Utilice los accesorios o acoplamientos solamente para su fin establecido.

Si necesita cualquier ayuda para más detalles en relación con estos accesorios, pregunte a su centro de servicio Makita local.

- Batería y cargador originales de Makita
- Cadena de la sierra
- Barra de guía
- Cubierta de la barra de guía
- Lima
- Bolsa de herramienta

## **NOTA:**

- Algunos de los artículos en la lista puede que vengan junto con el paquete de la herramienta como accesorios incluidos. Puede que estos accesorios varíen de país a país.

## **MAKITA LIMITED ONE YEAR WARRANTY**

### **Warranty Policy**

Every Makita tool is thoroughly inspected and tested before leaving the factory. It is warranted to be free of defects from workmanship and materials for the period of ONE YEAR from the date of original purchase. Should any trouble develop during this one year period, return the COMPLETE tool, freight prepaid, to one of Makita's Factory or Authorized Service Centers. If inspection shows the trouble is caused by defective workmanship or material, Makita will repair (or at our option, replace) without charge.

This Warranty does not apply where:

- repairs have been made or attempted by others:
- repairs are required because of normal wear and tear:
- the tool has been abused, misused or improperly maintained:
- alterations have been made to the tool.

IN NO EVENT SHALL MAKITA BE LIABLE FOR ANY INDIRECT, INCIDENTAL OR CONSEQUENTIAL DAMAGES FROM THE SALE OR USE OF THE PRODUCT. THIS DISCLAIMER APPLIES BOTH DURING AND AFTER THE TERM OF THIS WARRANTY.

MAKITA DISCLAIMS LIABILITY FOR ANY IMPLIED WARRANTIES, INCLUDING IMPLIED WARRANTIES OF "MERCHANTABILITY" AND "FITNESS FOR A SPECIFIC PURPOSE," AFTER THE ONE YEAR TERM OF THIS WARRANTY.

This Warranty gives you specific legal rights, and you may also have other rights which vary from state to state. Some states do not allow the exclusion or limitation of incidental or consequential damages, so the above limitation or exclusion may not apply to you. Some states do not allow limitation on how long an implied warranty lasts, so the above limitation may not apply to you.





< USA only >

# WARNING

Some dust created by power sanding, sawing, grinding, drilling, and other construction activities contains chemicals known to the State of California to cause cancer, birth defects or other reproductive harm. Some examples of these chemicals are:

- lead from lead-based paints,
- crystalline silica from bricks and cement and other masonry products, and
- arsenic and chromium from chemically-treated lumber.

Your risk from these exposures varies, depending on how often you do this type of work. To reduce your exposure to these chemicals: work in a well ventilated area, and work with approved safety equipment, such as those dust masks that are specially designed to filter out microscopic particles.

< Sólo en los Estados Unidos >

# ADVERTENCIA

Algunos polvos creados por el lijado, aserrado, esmerilado, taladrado y otras actividades de la construcción contienen sustancias químicas reconocidas por el Estado de California como causantes de cáncer, defectos de nacimiento y otros peligros de reproducción. Algunos ejemplos de estos productos químicos son:

- plomo de pinturas a base de plomo,
- sílice cristalino de ladrillos y cemento y otros productos de albañilería, y
- arsénico y cromo de maderas tratadas químicamente.

El riesgo al que se expone varía, dependiendo de la frecuencia con la que realice este tipo de trabajo. Para reducir la exposición a estos productos químicos: trabaje en un área bien ventilada y póngase el equipo de seguridad indicado, tal como las máscaras contra polvo que están especialmente diseñadas para filtrar partículas microscópicas.

**Makita Corporation**

3-11-8, Sumiyoshi-cho,  
Anjo, Aichi 446-8502 Japan

[www.makita.com](http://www.makita.com)

885324E938  
DUC252-1  
EN, FRCA, ESMX  
20160520