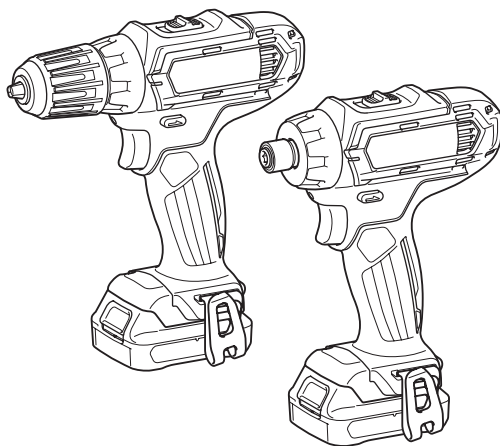


**INSTRUCTION MANUAL  
MANUEL D'INSTRUCTION  
MANUAL DE INSTRUCCIONES**



# **Cordless Driver Drill Perceuse-Visseuse sans Fil Atornillador Taladro Inalámbrico**

**DF331D  
DF031D**



**IMPORTANT:** Read Before Using.

**IMPORTANT :** Lire avant usage.

**IMPORTANTE:** Lea antes de usar.

# SPECIFICATIONS

Model:		DF331D	DF031D		
Drilling capacities	Steel	10 mm (3/8")			
	Wood	21 mm (13/16")			
Fastening capacities	Wood screw	5.1 mm x 63 mm (7/32" x 2-1/2")			
	Machine screw	M6 (1/4")			
No load speed (RPM)	High (2)	0 - 1,700 /min			
	Low (1)	0 - 450 /min			
Overall length		189 mm (7-7/16")	157 mm (6-3/16")		
Rated voltage		D.C. 10.8 V - 12 V max			
Standard battery cartridge		BL1016, BL1021B	BL1041B	BL1016, BL1021B	BL1041B
Net weight		1.1 kg (2.4 lbs)	1.3 kg (2.8 lbs)	0.94 kg (2.1 lbs)	1.1 kg (2.4 lbs)

- Due to our continuing program of research and development, the specifications herein are subject to change without notice.
- Specifications and battery cartridge may differ from country to country.
- Weight, with battery cartridge, according to EPTA-Procedure 01/2003

## General power tool safety warnings

**⚠ WARNING: Read all safety warnings and all instructions.** Failure to follow the warnings and instructions may result in electric shock, fire and/or serious injury.

## Save all warnings and instructions for future reference.

The term "power tool" in the warnings refers to your mains-operated (corded) power tool or battery-operated (cordless) power tool.

### Work area safety

1. **Keep work area clean and well lit.** Cluttered or dark areas invite accidents.
2. **Do not operate power tools in explosive atmospheres, such as in the presence of flammable liquids, gases or dust.** Power tools create sparks which may ignite the dust or fumes.
3. **Keep children and bystanders away while operating a power tool.** Distractions can cause you to lose control.

### Electrical Safety

1. **Power tool plugs must match the outlet. Never modify the plug in any way. Do not use any adapter plugs with earthed (grounded) power tools.** Unmodified plugs and matching outlets will reduce risk of electric shock.
2. **Avoid body contact with earthed or grounded surfaces, such as pipes, radiators, ranges and refrigerators.** There is an increased risk of electric shock if your body is earthed or grounded.
3. **Do not expose power tools to rain or wet conditions.** Water entering a power tool will increase the risk of electric shock.

4. **Do not abuse the cord. Never use the cord for carrying, pulling or unplugging the power tool. Keep cord away from heat, oil, sharp edges or moving parts.** Damaged or entangled cords increase the risk of electric shock.
5. **When operating a power tool outdoors, use an extension cord suitable for outdoor use.** Use of a cord suitable for outdoor use reduces the risk of electric shock.
6. **If operating a power tool in a damp location is unavoidable, use a ground fault circuit interrupter (GFCI) protected supply.** Use of a GFCI reduces the risk of electric shock.

### Personal Safety

1. **Stay alert, watch what you are doing and use common sense when operating a power tool. Do not use a power tool while you are tired or under the influence of drugs, alcohol or medication.** A moment of inattention while operating power tools may result in serious personal injury.
2. **Use personal protective equipment. Always wear eye protection.** Protective equipment such as a dust mask, non-skid safety shoes, hard hat or hearing protection used for appropriate conditions will reduce personal injuries.
3. **Prevent unintentional starting. Ensure the switch is in the off-position before connecting to power source and/or battery pack, picking up or carrying the tool.** Carrying power tools with your finger on the switch or energising power tools that have the switch on invites accidents.
4. **Remove any adjusting key or wrench before turning the power tool on.** A wrench or a key left attached to a rotating part of the power tool may result in personal injury.
5. **Do not overreach. Keep proper footing and balance at all times.** This enables better control of the power tool in unexpected situations.

6. **Dress properly. Do not wear loose clothing or jewellery. Keep your hair, clothing, and gloves away from moving parts.** Loose clothes, jewellery or long hair can be caught in moving parts.
7. **If devices are provided for the connection of dust extraction and collection facilities, ensure these are connected and properly used.** Use of dust collection can reduce dust-related hazards.

#### Power tool use and care

1. **Do not force the power tool. Use the correct power tool for your application.** The correct power tool will do the job better and safer at the rate for which it was designed.
2. **Do not use the power tool if the switch does not turn it on and off.** Any power tool that cannot be controlled with the switch is dangerous and must be repaired.
3. **Disconnect the plug from the power source and/or the battery pack from the power tool before making any adjustments, changing accessories, or storing power tools.** Such preventive safety measures reduce the risk of starting the power tool accidentally.
4. **Store idle power tools out of the reach of children and do not allow persons unfamiliar with the power tool or these instructions to operate the power tool.** Power tools are dangerous in the hands of untrained users.
5. **Maintain power tools. Check for misalignment or binding of moving parts, breakage of parts and any other condition that may affect the power tool's operation. If damaged, have the power tool repaired before use.** Many accidents are caused by poorly maintained power tools.
6. **Keep cutting tools sharp and clean.** Properly maintained cutting tools with sharp cutting edges are less likely to bind and are easier to control.
7. **Use the power tool, accessories and tool bits etc. in accordance with these instructions, taking into account the working conditions and the work to be performed.** Use of the power tool for operations different from those intended could result in a hazardous situation.

#### Battery tool use and care

1. **Recharge only with the charger specified by the manufacturer.** A charger that is suitable for one type of battery pack may create a risk of fire when used with another battery pack.
2. **Use power tools only with specifically designed battery packs.** Use of any other battery packs may create a risk of injury and fire.
3. **When battery pack is not in use, keep it away from other metal objects, like paper clips, coins, keys, nails, screws or other small metal objects, that can make a connection from one terminal to another.** Shorting the battery terminals together may cause burns or a fire.
4. **Under abusive conditions, liquid may be ejected from the battery; avoid contact. If contact accidentally occurs, flush with water. If liquid contacts eyes, additionally seek medical help.** Liquid ejected from the battery may cause irritation or burns.

5. **Do not use a battery pack or tool that is damaged or modified.** Damaged or modified batteries may exhibit unpredictable behaviour resulting in fire, explosion or risk of injury.
6. **Do not expose a battery pack or tool to fire or excessive temperature.** Exposure to fire or temperature above 130 °C may cause explosion.
7. **Follow all charging instructions and do not charge the battery pack or tool outside the temperature range specified in the instructions.** Charging improperly or at temperatures outside the specified range may damage the battery and increase the risk of fire.

#### Service

1. **Have your power tool serviced by a qualified repair person using only identical replacement parts.** This will ensure that the safety of the power tool is maintained.
2. **Follow instruction for lubricating and changing accessories.**
3. **Keep handles dry, clean and free from oil and grease.**

### Cordless driver drill safety warnings

1. **Use auxiliary handle(s), if supplied with the tool.** Loss of control can cause personal injury.
2. **Hold the power tool by insulated gripping surfaces, when performing an operation where the cutting accessory may contact hidden wiring.** Cutting accessory contacting a "live" wire may make exposed metal parts of the power tool "live" and could give the operator an electric shock.
3. **Hold power tool by insulated gripping surfaces, when performing an operation where the fastener may contact hidden wiring.** Fasteners contacting a "live" wire may make exposed metal parts of the power tool "live" and could give the operator an electric shock.
4. **Always be sure you have a firm footing. Be sure no one is below when using the tool in high locations.**
5. **Hold the tool firmly.**
6. **Keep hands away from rotating parts.**
7. **Do not leave the tool running. Operate the tool only when hand-held.**
8. **Do not touch the drill bit or the workpiece immediately after operation; they may be extremely hot and could burn your skin.**
9. **Some material contains chemicals which may be toxic. Take caution to prevent dust inhalation and skin contact. Follow material supplier safety data.**
10. **If the drill bit cannot be loosened even you open the jaws, use pliers to pull it out.** In such a case, pulling out the drill bit by hand may result in injury by its sharp edge.

### SAVE THESE INSTRUCTIONS.

**⚠ WARNING: DO NOT let comfort or familiarity with product (gained from repeated use) replace strict adherence to safety rules for the subject product. MISUSE or failure to follow the safety rules stated in this instruction manual may cause serious personal injury.**

## Symbols

The followings show the symbols used for tool.

V	volts
— — —	direct current
n <sub>0</sub>	no load speed
... /min r/min	revolutions or reciprocation per minute

## Important safety instructions for battery cartridge

1. Before using battery cartridge, read all instructions and cautionary markings on (1) battery charger, (2) battery, and (3) product using battery.
2. Do not disassemble battery cartridge.
3. If operating time has become excessively shorter, stop operating immediately. It may result in a risk of overheating, possible burns and even an explosion.
4. If electrolyte gets into your eyes, rinse them out with clear water and seek medical attention right away. It may result in loss of your eyesight.
5. Do not short the battery cartridge:
  - (1) Do not touch the terminals with any conductive material.
  - (2) Avoid storing battery cartridge in a container with other metal objects such as nails, coins, etc.
  - (3) Do not expose battery cartridge to water or rain.

A battery short can cause a large current flow, overheating, possible burns and even a breakdown.

6. Do not store the tool and battery cartridge in locations where the temperature may reach or exceed 50 °C (122 °F).
7. Do not incinerate the battery cartridge even if it is severely damaged or is completely worn out. The battery cartridge can explode in a fire.
8. Be careful not to drop or strike battery.
9. Do not use a damaged battery.
10. The contained lithium-ion batteries are subject to the Dangerous Goods Legislation requirements.

For commercial transports e.g. by third parties, forwarding agents, special requirement on packaging and labeling must be observed.

For preparation of the item being shipped, consulting an expert for hazardous material is required. Please also observe possibly more detailed national regulations.

Tape or mask off open contacts and pack up the battery in such a manner that it cannot move around in the packaging.

11. Follow your local regulations relating to disposal of battery.
12. Use the batteries only with the products specified by Makita. Installing the batteries to non-compliant products may result in a fire, excessive heat, explosion, or leak of electrolyte.

## SAVE THESE INSTRUCTIONS.

**⚠ CAUTION: Only use genuine Makita batteries.** Use of non-genuine Makita batteries, or batteries that have been altered, may result in the battery bursting causing fires, personal injury and damage. It will also void the Makita warranty for the Makita tool and charger.

## Tips for maintaining maximum battery life

1. Charge the battery cartridge before completely discharged. Always stop tool operation and charge the battery cartridge when you notice less tool power.
2. Never recharge a fully charged battery cartridge. Overcharging shortens the battery service life.
3. Charge the battery cartridge with room temperature at 10 °C - 40 °C (50 °F - 104 °F). Let a hot battery cartridge cool down before charging it.

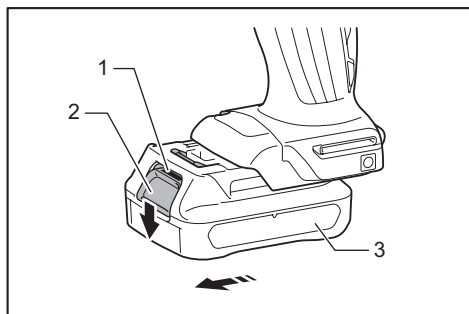
# FUNCTIONAL DESCRIPTION

**CAUTION:** Always be sure that the tool is switched off and the battery cartridge is removed before adjusting or checking function on the tool.

## Installing or removing battery cartridge

**CAUTION:** Always switch off the tool before installing or removing of the battery cartridge.

**CAUTION:** Hold the tool and the battery cartridge firmly when installing or removing battery cartridge. Failure to hold the tool and the battery cartridge firmly may cause them to slip off your hands and result in damage to the tool and battery cartridge and a personal injury.



► 1. Red indicator 2. Button 3. Battery cartridge

To remove the battery cartridge, slide it from the tool while sliding the button on the front of the cartridge.

To install the battery cartridge, align the tongue on the battery cartridge with the groove in the housing and slip it into place. Insert it all the way until it locks in place with a little click. If you can see the red indicator on the upper side of the button, it is not locked completely.

**CAUTION:** Always install the battery cartridge fully until the red indicator cannot be seen. If not, it may accidentally fall out of the tool, causing injury to you or someone around you.

**CAUTION:** Do not install the battery cartridge forcibly. If the cartridge does not slide in easily, it is not being inserted correctly.

## Battery protection system

The tool is equipped with a battery protection system. This system automatically cuts off power to the motor to extend battery life.

The tool will automatically stop during operation if the tool and/or battery are placed under one of the following conditions:

### Overloaded:

The tool is operated in a manner that causes it to draw an abnormally high current.

In this situation, turn the tool off and stop the application that caused the tool to become overloaded. Then turn the tool on to restart.

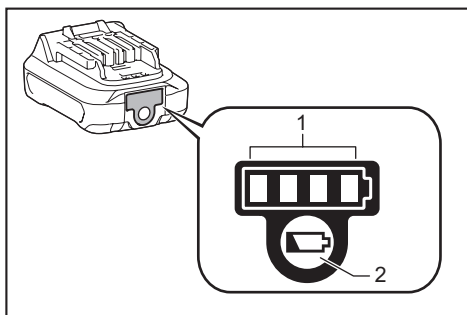
If the tool does not start, the battery is overheated. In this situation, let the battery cool before turning the tool on again.

### Low battery voltage:

The remaining battery capacity is too low and the tool will not operate. If you turn the tool on, the motor runs again but stops soon. In this situation, remove and recharge the battery.

## Indicating the remaining battery capacity

Only for battery cartridges with the indicator



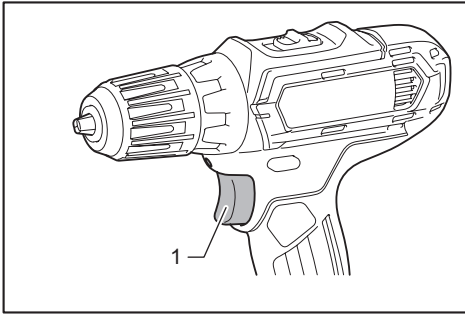
► 1. Indicator lamps 2. Check button

Press the check button on the battery cartridge to indicate the remaining battery capacity. The indicator lamps light up for a few seconds.

Indicator lamps		Remaining capacity
Lighted	Off	
■ ■ ■ ■	□	75% to 100%
■ ■ ■ □	□	50% to 75%
■ ■ □ □	□	25% to 50%
■ □ □ □	□	0% to 25%

**NOTE:** Depending on the conditions of use and the ambient temperature, the indication may differ slightly from the actual capacity.

## Switch action



► 1. Switch trigger

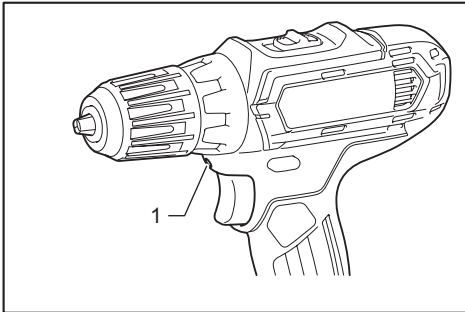
**CAUTION:** Before installing the battery cartridge into the tool, always check to see that the switch trigger actuates properly and returns to the "OFF" position when released.

To start the tool, simply pull the switch trigger. Tool speed is increased by increasing pressure on the switch trigger. Release the switch trigger to stop.

## Electric brake

This tool is equipped with an electric brake. If the tool consistently fails to quickly stop after the switch trigger is released, have the tool serviced at a Makita service center.

## Lighting up the front lamp



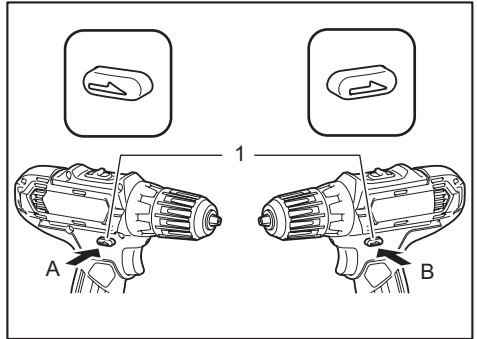
► 1. Lamp

**CAUTION:** Do not look in the light or see the source of light directly.

Pull the switch trigger to light up the lamp. The lamp keeps on lighting while the switch trigger is being pulled. The lamp goes out approximately 10 seconds after releasing the switch trigger.

**NOTE:** Use a dry cloth to wipe the dirt off the lens of the lamp. Be careful not to scratch the lens of lamp, or it may lower the illumination.

## Reversing switch action



► 1. Reversing switch lever

**CAUTION:** Always check the direction of rotation before operation.

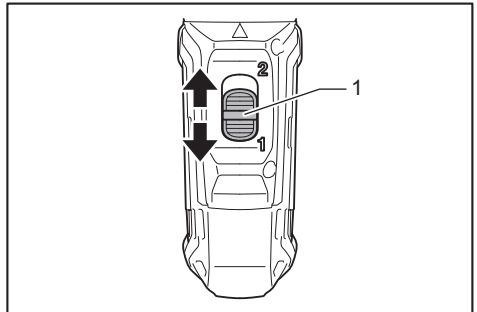
**CAUTION:** Use the reversing switch only after the tool comes to a complete stop. Changing the direction of rotation before the tool stops may damage the tool.

**CAUTION:** When not operating the tool, always set the reversing switch lever to the neutral position.

This tool has a reversing switch to change the direction of rotation. Depress the reversing switch lever from the A side for clockwise rotation or from the B side for counterclockwise rotation.

When the reversing switch lever is in the neutral position, the switch trigger cannot be pulled.

## Speed change



► 1. Speed change lever

**CAUTION:** Always set the speed change lever fully to the correct position. If you operate the tool with the speed change lever positioned halfway between the "1" side and "2" side, the tool may be damaged.

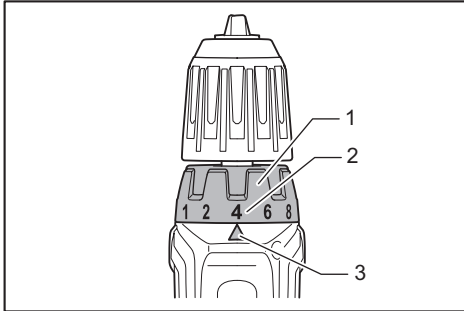
**CAUTION:** Do not use the speed change lever while the tool is running. The tool may be damaged.

Position of speed change lever	Speed	Torque	Applicable operation
1	Low	High	Heavy loading operation
2	High	Low	Light loading operation

To change the speed, switch off the tool first. Select the "2" side for high speed or "1" for low speed but high torque. Be sure that the speed change lever is set to the correct position before operation.

If the tool speed is coming down extremely during the operation with "2", slide the lever to the "1" and restart the operation.

## Adjusting the fastening torque



► 1. Adjusting ring 2. Graduation 3. Arrow

The fastening torque can be adjusted in 19 levels by turning the adjusting ring. Align the graduations with the arrow on the tool body. You can get the minimum fastening torque at 1 and maximum torque at 18 marking. The clutch will slip at various torque levels when set at the number 1 to 18. The clutch does not work at the 19 marking.

Before actual operation, drive a trial screw into your material or a piece of duplicate material to determine which torque level is required for a particular application.

The following shows the rough guide of the relationship between the screw size and graduation.

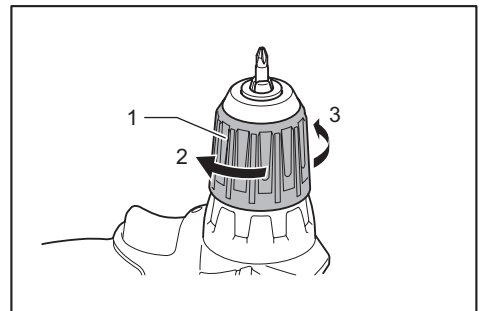
Graduation		1	2	3	4	5	6	7	8	9	10	11	12	13	14	15	16	17	18			
Machine screw						M4				M5				M6								
Wood screw	Soft wood (e.g. pine)					-				φ3.5 x 22				φ4.1 x 38								
	Hard wood (e.g. lauan)					-				-				φ3.5 x 22				-				
														φ4.1 x 38								

## ASSEMBLY

**CAUTION:** Always be sure that the tool is switched off and the battery cartridge is removed before carrying out any work on the tool.

## Installing or removing driver bit/ drill bit

For Model DF331D (optional accessory)

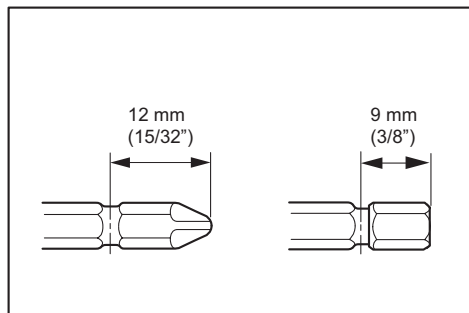


► 1. Sleeve 2. Close 3. Open

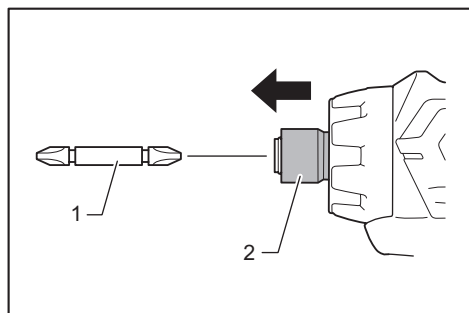
Turn the sleeve counterclockwise to open the chuck jaws. Place the driver bit/drill bit in the chuck as far as it will go. Turn the sleeve clockwise to tighten the chuck. To remove the driver bit/drill bit, turn the sleeve counterclockwise.

## Installing or removing driver bit/ socket bit

For Model DF031D (optional accessory)



Use only the driver bit/socket bit shown in the figure. Do not use any other driver bit/socket bit.



► 1. Driver bit 2. Sleeve

To install the driver bit, pull the sleeve in the direction of the arrow and insert the driver bit into the sleeve as far as it will go.

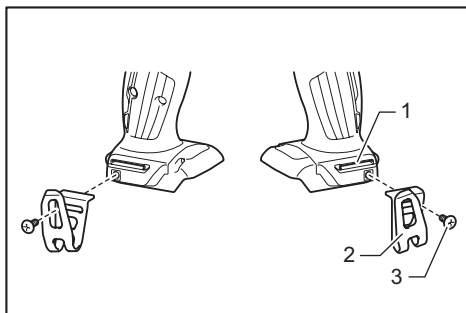
Then release the sleeve to secure the driver bit.

To remove the driver bit, pull the sleeve in the direction of the arrow and pull the driver bit out.

**NOTE:** If the driver bit is not inserted deep enough into the sleeve, the sleeve will not return to its original position and the driver bit will not be secured. In this case, try re-inserting the bit according to the instructions above.

**NOTE:** After inserting the driver bit, make sure that it is firmly secured. If it comes out, do not use it.

## Installing hook

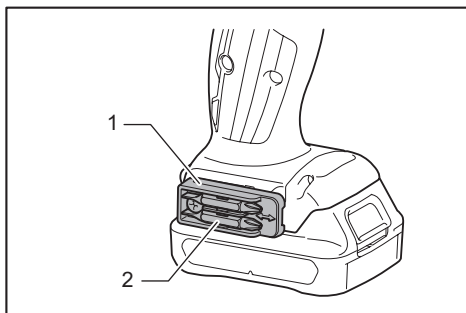


► 1. Groove 2. Hook 3. Screw

The hook is convenient for temporarily hanging the tool. This can be installed on either side of the tool. To install the hook, insert it into a groove in the tool housing on either side and then secure it with a screw. To remove, loosen the screw and then take it out.

## Installing driver bit holder

Optional accessory



► 1. Driver bit holder 2. Driver bit

Fit the driver bit holder into the protrusion at the tool foot on either right or left side and secure it with a screw. When not using the driver bit, keep it in the driver bit holders. Driver bits 45 mm-long (1-3/4") can be kept there.

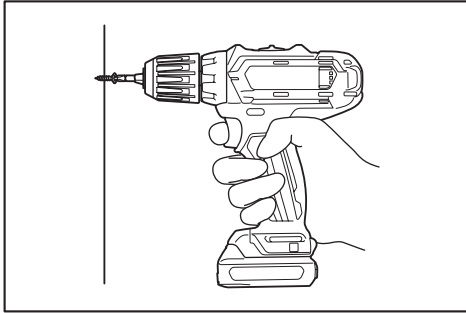
## OPERATION

**CAUTION:** Always insert the battery cartridge all the way until it locks in place. If you can see the red indicator on the upper side of the button, it is not locked completely. Insert it fully until the red indicator cannot be seen. If not, it may accidentally fall out of the tool, causing injury to you or someone around you.

**CAUTION:** When the speed comes down extremely, reduce the load or stop the tool to avoid the tool damage.



Hold the tool firmly with one hand on the grip and the other hand on the bottom of the battery cartridge to control the twisting action.



## Screwdriving operation


**CAUTION:** Adjust the adjusting ring to the proper torque level for your work.

**CAUTION:** Make sure that the driver bit is inserted straight in the screw head, or the screw and/or driver bit may be damaged.

Place the point of the driver bit in the screw head and apply pressure to the tool. Start the tool slowly and then increase the speed gradually. Release the switch trigger as soon as the clutch cuts in.

**NOTE:** When driving wood screw, pre-drill a pilot hole 2/3 the diameter of the screw. It makes driving easier and prevents splitting of the workpiece.

## Drilling operation

First, turn the adjusting ring so that the arrow points to the  marking. Then proceed as follows.

### Drilling in wood

When drilling in wood, the best results are obtained with wood drills equipped with a guide screw. The guide screw makes drilling easier by pulling the drill bit into the workpiece.

### Drilling in metal

To prevent the drill bit from slipping when starting a hole, make an indentation with a center-punch and hammer at the point to be drilled. Place the point of the drill bit in the indentation and start drilling. Use a cutting lubricant when drilling metals. The exceptions are iron and brass which should be drilled dry.

**CAUTION:** Pressing excessively on the tool will not speed up the drilling. In fact, this excessive pressure will only serve to damage the tip of your drill bit, decrease the tool performance and shorten the service life of the tool.

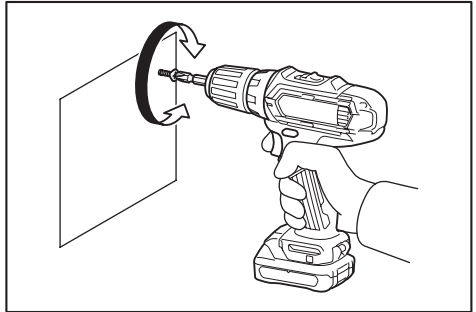
**CAUTION:** Hold the tool firmly and exert care when the drill bit begins to break through the workpiece. There is a tremendous force exerted on the tool/drill bit at the time of hole break through.

**CAUTION:** A stuck drill bit can be removed simply by setting the reversing switch to reverse rotation in order to back out. However, the tool may back out abruptly if you do not hold it firmly.

**CAUTION:** Always secure workpieces in a vise or similar hold-down device.


**CAUTION:** If the tool is operated continuously until the battery cartridge has discharged, allow the tool to rest for 15 minutes before proceeding with a fresh battery.

## Using the tool as a hand screwdriver



Switch off the tool.

Move the reversing switch lever to the neutral position.

Turn the adjusting ring so that the arrow points to the  marking.

Turn the tool.

**NOTE:** This use is convenient for checking the screwdriving.

**NOTE:** Do not use the tool for work requiring excessive force, such as tightening bolt or removing rusted screws.

## Using holster

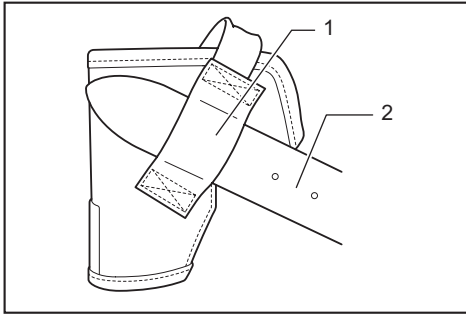
### Optional accessory

**CAUTION:** When using the holster, remove a driver bit/drill bit from the tool.

**CAUTION:** Turn off the tool and wait until it comes to a complete stop before placing it in the holster.

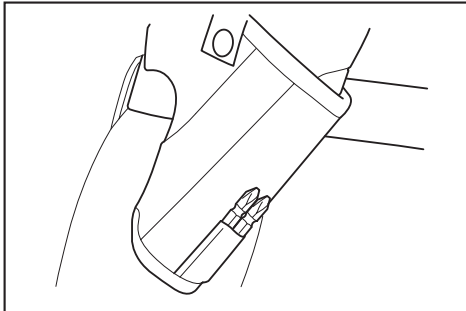
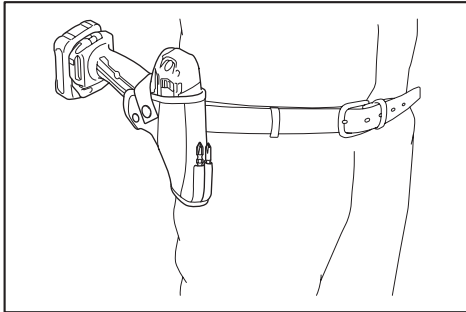
Be sure to close the holster securely with the holster button so that it holds the tool firmly.

1. Thread a waist belt or similar through holster holder.



- 1. Holster holder 2. Waist belt

2. Put the tool in the holster and lock it with the holster button.



You can keep two driver bits at the front of the holster.

## MAINTENANCE

**CAUTION:** Always be sure that the tool is switched off and the battery cartridge is removed before attempting to perform inspection or maintenance.

**NOTICE:** Never use gasoline, benzine, thinner, alcohol or the like. Discoloration, deformation or cracks may result.

To maintain product SAFETY and RELIABILITY, repairs, any other maintenance or adjustment should be performed by Makita Authorized or Factory Service Centers, always using Makita replacement parts.

## OPTIONAL ACCESSORIES

**CAUTION:** These accessories or attachments are recommended for use with your Makita tool specified in this manual. The use of any other accessories or attachments might present a risk of injury to persons. Only use accessory or attachment for its stated purpose.

If you need any assistance for more details regarding these accessories, ask your local Makita Service Center.

- Drill bits
- Driver bits
- Socket bits
- Bit piece
- Driver bit holder
- Holster
- Plastic carrying case
- Hook
- Makita genuine battery and charger

**NOTE:** Some items in the list may be included in the tool package as standard accessories. They may differ from country to country.

## MAKITA LIMITED WARRANTY

Please refer to the annexed warranty sheet for the most current warranty terms applicable to this product. If annexed warranty sheet is not available, refer to the warranty details set forth at below website for your respective country.

United States of America: [www.makitatools.com](http://www.makitatools.com)

Canada: [www.makita.ca](http://www.makita.ca)

Other countries: [www.makita.com](http://www.makita.com)

# SPÉCIFICATIONS

Modèle :		DF331D		DF031D	
Capacités de perçage	Acier	10 mm (3/8")			
	Bois	21 mm (13/16")			
Capacités de serrage	Vis à bois	5,1 mm x 63 mm (7/32" x 2-1/2")			
	Vis de mécanique	M6 (1/4")			
Vitesse à vide (T/MIN)	Grande (2)	0 - 1 700 /min			
	Réduite (1)	0 - 450 /min			
Longueur totale		189 mm (7-7/16")		157 mm (6-3/16")	
Tension nominale		C.C. 10,8 V - 12 V max.			
Batterie standard		BL1016, BL1021B	BL1041B	BL1016, BL1021B	BL1041B
Poids net		1,1 kg (2,4 lbs)	1,3 kg (2,8 lbs)	0,94 kg (2,1 lbs)	1,1 kg (2,4 lbs)

- Étant donné l'évolution constante de notre programme de recherche et développement, les spécifications contenues dans ce manuel sont sujettes à modification sans préavis.
- Les spécifications et la batterie peuvent varier suivant les pays.
- Poids, batterie comprise, conforme à la procédure EPTA 01/2003

## Consignes de sécurité générales pour outils électriques

**⚠ MISE EN GARDE** : Lisez toutes les consignes de sécurité et toutes les instructions. L'ignorance des mises en garde et des instructions comporte un risque de choc électrique, d'incendie et/ou de blessure grave.

## Conservez toutes les mises en garde et instructions pour référence future.

Le terme « outil électrique » qui figure dans les avertissements fait référence à un outil électrique branché sur une prise de courant (par un cordon d'alimentation) ou alimenté par batterie (sans fil).

### Sécurité de la zone de travail

1. **Maintenez la zone de travail propre et bien éclairée.** Les zones de travail encombrées ou sombres ouvrent grande la porte aux accidents.
2. **N'utilisez pas les outils électriques dans les atmosphères explosives, par exemple en présence de liquides, gaz ou poussières inflammables.** Les outils électriques produisent des étincelles au contact desquelles la poussière ou les vapeurs peuvent s'enflammer.
3. **Assurez-vous qu'aucun enfant ou curieux ne s'approche pendant que vous utilisez un outil électrique.** Vous risquez de perdre la maîtrise de l'outil si votre attention est détournée.

### Sécurité en matière d'électricité

1. **Les fiches d'outil électrique sont conçues pour s'adapter parfaitement aux prises de courant. Ne modifiez jamais la fiche de quelque façon que ce soit. N'utilisez aucun adaptateur de**

**fiche sur les outils électriques avec mise à la terre.** En ne modifiant pas les fiches et en les insérant dans des prises de courant pour lesquelles elles ont été conçues, vous réduirez les risques de choc électrique.

2. **Évitez tout contact corporel avec les surfaces mises à la terre, telles que tuyaux, radiateurs, cuisinières et réfrigérateurs.** Le risque de choc électrique est plus élevé si votre corps se trouve mis à la terre.
3. **N'exposez pas les outils électriques à la pluie ou à l'eau.** La présence d'eau dans un outil électrique augmente le risque de choc électrique.
4. **Ne maltraitez pas le cordon. N'utilisez jamais le cordon pour transporter, tirer ou débrancher l'outil électrique. Maintenez le cordon à l'écart des sources de chaleur, de l'huile, des objets à bords tranchants et des pièces en mouvement.** Le risque de choc électrique est plus élevé lorsque les cordons sont endommagés ou enchevêtrés.
5. **Lorsque vous utilisez un outil électrique à l'extérieur, utilisez un cordon prolongateur conçu pour l'usage extérieur.** Les risques de choc électrique est moindre lorsqu'un cordon conçu pour l'usage extérieur est utilisé.
6. **Si vous devez utiliser un outil électrique dans un endroit humide, utilisez une source d'alimentation protégée par un disjoncteur de fuite à la terre.** L'utilisation d'un disjoncteur de fuite à la terre réduit le risque de choc électrique.

### Sécurité personnelle

1. **Restez alerte, attentif à vos mouvements et faites preuve de bon sens lorsque vous utilisez un outil électrique. N'utilisez pas les outils électriques si vous êtes fatigué ou avez pris une drogue, de l'alcool ou un médicament.** Un moment d'inattention pendant l'utilisation d'un outil électrique peut entraîner une grave blessure.

2. **Portez des dispositifs de protection personnelle. Portez toujours une protection oculaire.** Les risques de blessure seront moins élevés si vous utilisez des dispositifs de protection tels qu'un masque anti-poussière, des chaussures à semelle antidérapante, une coiffure résistante ou une protection d'oreilles.
3. **Évitez les démarrages accidentels. Assurez-vous que l'interrupteur est en position d'arrêt avant de brancher l'outil à la prise de courant et/ou au bloc-piles, et avant de prendre ou de transporter l'outil.** Vous ouvrez la porte aux accidents si vous transportez les outils électriques avec le doigt sur l'interrupteur ou si vous les branchez alors que l'interrupteur est en position de marche.
4. **Retirez toute clé de réglage ou de serrage avant de mettre l'outil électrique sous tension.** Toute clé laissée en place sur une pièce rotative de l'outil électrique peut entraîner une blessure.
5. **Ne vous étirez pas exagérément. Assurez-vous d'une bonne prise au sol et d'un bon équilibre en tout temps.** Cela vous permettra d'avoir une meilleure maîtrise de l'outil électrique dans les situations imprévues.
6. **Portez des vêtements adéquats. Ne portez ni vêtements amples ni bijoux. Vous devez maintenir cheveux, vêtements et gants à l'écart des pièces en mouvement.** Les pièces en mouvement peuvent happer les vêtements amples, les bijoux et les cheveux longs.
7. **Si des accessoires sont fournis pour raccorder un appareil d'aspiration et de collecte de la poussière, assurez-vous qu'ils sont correctement raccordés et qu'ils sont utilisés de manière adéquate.** L'utilisation d'un appareil de collecte permet de réduire les risques liés à la présence de poussière dans l'air.
5. **Veillez à l'entretien des outils électriques. Assurez-vous que les pièces mobiles ne sont pas désalignées ou coincées, qu'aucune pièce n'est cassée et que l'outil électrique n'a subi aucun dommage affectant son bon fonctionnement. Le cas échéant, faites réparer l'outil électrique avant de l'utiliser.** De nombreux accidents sont causés par des outils électriques mal entretenus.
6. **Maintenez les outils tranchants bien aiguisés et propres.** Un outil tranchant dont l'entretien est effectué correctement et dont les bords sont bien aiguisés risquera moins de se coincer et sera plus facile à maîtriser.
7. **Utilisez l'outil électrique, ses accessoires, ses embouts, etc., en respectant les présentes instructions, en tenant compte des conditions de travail et du type de travail à effectuer.** L'utilisation d'un outil électrique pour d'autres usages que ceux prévus peut entraîner une situation dangereuse.

#### Utilisation et entretien des outils alimentés par batterie

1. **Pour recharger, utilisez uniquement le chargeur spécifié par le fabricant.** L'utilisation d'un chargeur conçu pour un type donné de bloc-piles comporte un risque d'incendie lorsqu'il est utilisé avec un autre type de bloc-piles.
  2. **N'utilisez un outil électrique qu'avec le bloc-piles conçu spécifiquement pour cet outil.** Il y a risque de blessure ou d'incendie si un autre bloc-piles est utilisé.
  3. **Lorsque vous n'utilisez pas le bloc-piles, rangez-le à l'écart des objets métalliques tels que trombones, pièces de monnaie, clés, clous, vis ou autres petits objets métalliques qui risqueraient d'établir une connexion entre les bornes.** La mise en court-circuit des bornes de batterie peut causer des brûlures ou un incendie.
  4. **Dans des conditions d'utilisation inadéquates de la batterie, il peut y avoir fuite d'électrolyte; évitez tout contact avec ce liquide. En cas de contact accidentel, rincez avec beaucoup d'eau. Si le liquide pénètre dans vos yeux, il faut aussi consulter un médecin.** L'électrolyte qui s'échappe de la batterie peut causer des irritations ou des brûlures.
  5. **N'utilisez pas une batterie ou un outil s'il est endommagé ou modifié.** Les batteries endommagées ou modifiées peuvent avoir un comportement imprévisible dont peut résulter un incendie, une explosion ou un risque de blessure.
  6. **N'exposez pas une batterie ou un outil au feu ou à une température excessive.** L'exposition au feu ou à une température supérieure à 130 °C peut entraîner une explosion.
  7. **Suivez toutes les instructions de charge et ne chargez pas la batterie ou l'outil à l'extérieur de la plage de température spécifiée dans les instructions.** Charger de manière inadéquate ou à des températures hors de la plage spécifiée peut endommager la batterie et augmenter le risque d'incendie.
- #### Utilisation et entretien des outils électriques
1. **Ne forcez pas l'outil électrique. Utilisez l'outil électrique adéquat suivant le type de travail à effectuer.** Si vous utilisez l'outil électrique adéquat et respectez le régime pour lequel il a été conçu, il effectuera un travail de meilleure qualité et plus sécuritaire.
  2. **N'utilisez pas l'outil électrique s'il n'est pas possible de l'allumer et de l'éteindre avec son interrupteur.** Un outil électrique dont l'interrupteur est défectueux représente un danger et doit être réparé.
  3. **Débranchez la fiche de la source d'alimentation et/ou retirez le bloc-piles de l'outil électrique avant d'effectuer tout réglage, de remplacer un accessoire ou de ranger l'outil électrique.** De telles mesures préventives réduisent les risques de démarrage accidentel de l'outil électrique.
  4. **Après l'utilisation d'un outil électrique, rangez-le hors de portée des enfants et ne laissez aucune personne l'utiliser si elle n'est pas familiarisée avec l'outil électrique ou les présentes instructions d'utilisation.** Les outils électriques représentent un danger entre les mains de personnes qui n'en connaissent pas le mode d'utilisation.

## Réparation

1. **Faites réparer votre outil électrique par un réparateur qualifié qui utilise des pièces de rechange identiques aux pièces d'origine.** Le maintien de la sûreté de l'outil électrique sera ainsi assuré.
2. **Suivez les instructions de lubrification et de remplacement des accessoires.**
3. **Maintenez les poignées de l'outil sèches, propres et exemptes d'huile ou de graisse.**

## Consignes de sécurité pour la perceuse-visseuse sans fil

1. **Utilisez la ou les poignées auxiliaires si elles sont fournies avec l'outil.** Toute perte de maîtrise comporte un risque de blessure.
2. **Tenez l'outil électrique par ses surfaces de prise isolées pendant toute opération où l'accessoire de coupe pourrait venir en contact avec un câblage dissimulé.** En cas de contact avec un conducteur sous tension, les pièces métalliques à découvert de l'outil électrique pourraient devenir sous tension et risqueraient de transmettre un choc électrique à l'utilisateur.
3. **Tenez l'outil électrique par ses surfaces de prise isolées pendant toute opération où l'accessoire de fixation pourrait venir en contact avec un câblage dissimulé.** En cas de contact avec un conducteur sous tension, les pièces métalliques à découvert de l'outil électrique peuvent devenir sous tension et transmettre un choc électrique à l'utilisateur.
4. **Pensez toujours à prendre pied solidement. Assurez-vous qu'il n'y a personne plus bas lorsque vous utilisez l'outil en position élevée.**
5. **Tenez l'outil fermement.**
6. **Gardez les mains éloignées des pièces en rotation.**
7. **N'abandonnez pas l'outil alors qu'il tourne. Ne faites fonctionner l'outil qu'une fois que vous l'avez bien en main.**
8. **Ne touchez pas l'embout-foret ni la pièce tout de suite après l'opération, car ils peuvent être extrêmement chauds et vous brûler.**
9. **Certains matériaux contiennent des produits chimiques qui peuvent être toxiques. Prenez les précautions nécessaires pour éviter l'inhalation de ces poussières ou leur contact avec la peau. Conformez-vous aux consignes de sécurité du fournisseur du matériau.**
10. **Si l'embout-mèche ne peut être desserré même en ouvrant les mâchoires, utilisez une pince pour le retirer.** Le cas échéant, retirer l'embout-mèche avec la main peut entraîner une blessure au contact du bord tranchant.

## CONSERVEZ CES INSTRUCTIONS.

**⚠ MISE EN GARDE : NE** vous laissez PAS tromper (au fil d'une utilisation répétée) par un sentiment d'aisance ou de familiarité avec le produit en négligeant les consignes de sécurité qui accompagnent le produit. **UNE UTILISATION INCORRECTE** ou le non-respect des règles de sécurité énoncées dans le présent manuel d'instructions peut provoquer des blessures graves.

## Symboles

Les symboles utilisés pour l'outil sont indiqués ci-dessous.

V	volts
— — —	courant continu
n <sub>o</sub>	vitesse à vide
... /min r /min	tours ou alternances par minute

## Consignes de sécurité importantes pour la batterie

1. **Avant d'utiliser la batterie, lisez toutes les instructions et les mises en garde apposées sur (1) le chargeur de batterie, (2) la batterie et (3) le produit utilisant la batterie.**
2. **Ne démontez pas la batterie.**
3. **Cessez immédiatement l'utilisation si le temps de fonctionnement devient excessivement court. Il y a risque de surchauffe, de brûlures, voire d'explosion.**
4. **Si l'électrolyte pénètre dans vos yeux, rincez-les à l'eau claire et consultez immédiatement un médecin. Il y a risque de perte de la vue.**
5. **Ne court-circuitez pas la batterie :**
  - (1) **Ne touchez les bornes avec aucun matériau conducteur.**
  - (2) **Évitez de ranger la batterie dans un conteneur avec d'autres objets métalliques tels que clous, pièces de monnaie, etc.**
  - (3) **Évitez d'exposer la batterie à l'eau ou à la pluie.**

Un court-circuit de la batterie pourrait provoquer un fort courant, une surchauffe, parfois des brûlures et même une panne.
6. **Ne rangez pas l'outil ou la batterie dans des emplacements où la température peut atteindre ou dépasser 50 °C (122 °F).**
7. **Ne jetez pas la batterie au feu même si elle est sérieusement endommagée ou complètement épuisée. La batterie peut exploser au contact du feu.**
8. **Prenez garde d'échapper ou de heurter la batterie.**

9. **N'utilisez pas une batterie si elle est endommagée.**
10. **Les batteries lithium-ion fournies sont soumises aux exigences de la législation sur les marchandises dangereuses.**  
Des exigences particulières sur l'emballage et l'étiquetage doivent être respectées lors du transport commercial par des tiers, des transitaires, etc. Pour préparer la marchandise à expédier, consultez un expert en matériaux dangereux si nécessaire. Respectez aussi les éventuelles réglementations nationales plus détaillées.  
Recouvrez de ruban isolant les contacts exposés, et emballez la batterie de sorte qu'elle ne puisse pas se déplacer à l'intérieur de l'emballage.
11. **Suivez la réglementation locale concernant l'élimination de la batterie.**
12. **N'utilisez les batteries qu'avec les produits spécifiés par Makita.** Installer les batteries sur des produits non conformes peut entraîner un incendie, une chaleur excessive, une explosion ou une fuite d'électrolyte.

## CONSERVEZ CES INSTRUCTIONS.

**⚠ATTENTION :** Utilisez exclusivement les batteries fabriquées par Makita. Les batteries autres que celles fabriquées par Makita ou les batteries modifiées peuvent exploser et causer un incendie, une blessure ou des dommages. Cela annule aussi la garantie Makita de l'outil et du chargeur Makita.

## Conseils pour maintenir la durée de service maximale de la batterie

1. **Rechargez la batterie avant qu'elle ne soit complètement déchargée. Arrêtez toujours l'outil et rechargez la batterie quand vous remarquez que la puissance de l'outil diminue.**
2. **Ne rechargez jamais une batterie complètement chargée. La surcharge réduit la durée de service de la batterie.**
3. **Chargez la batterie à une température ambiante comprise entre 10 °C et 40 °C (50 °F et 104 °F). Si la batterie est chaude, laissez-la refroidir avant de la charger.**

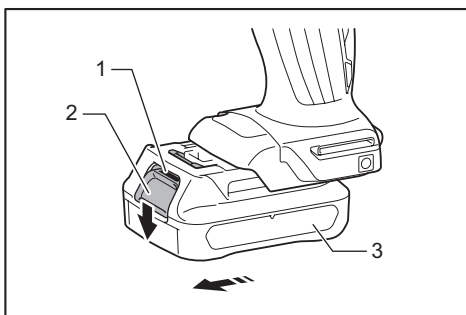
## DESCRIPTION DU FONCTIONNEMENT

**⚠ATTENTION :** Assurez-vous toujours que l'outil est éteint et que sa batterie est retirée avant de l'ajuster ou de vérifier son fonctionnement.

## Installation ou retrait de la batterie

**⚠ATTENTION :** Éteignez toujours l'outil avant d'installer ou de retirer la batterie.

**⚠ATTENTION :** Tenez fermement l'outil et la batterie lors de l'installation ou du retrait de cette dernière. Si l'outil et la batterie ne sont pas tenus fermement, ils risquent de vous glisser des mains et de subir des dommages, ou encore de vous blesser.



► 1. Voyant rouge 2. Bouton 3. Batterie

Pour retirer la batterie, faites-la glisser hors de l'outil tout en glissant le bouton qui se trouve à l'avant.

Pour installer la batterie, alignez sa languette sur la rainure pratiquée dans le boîtier, et glissez la batterie en place. Insérez-la à fond jusqu'à ce que vous entendiez un léger déclic. Si vous pouvez voir le voyant rouge sur le dessus du bouton, la batterie n'est pas complètement verrouillée.

**⚠ATTENTION :** Installez toujours la batterie à fond jusqu'à ce que vous ne puissiez plus voir le voyant rouge. Autrement elle risque de tomber accidentellement de l'outil et d'entraîner des blessures.

**⚠ATTENTION :** Ne forcez pas sur la batterie pour l'installer. Si la batterie ne glisse pas facilement, c'est qu'elle n'est pas insérée correctement.

## Dispositif de protection de la batterie

L'outil est équipé d'un système de protection de la batterie. Ce système coupe automatiquement l'alimentation du moteur pour augmenter la durée de vie de la batterie. L'outil s'arrête automatiquement pendant l'utilisation lorsque l'outil et/ou la batterie sont dans l'une des situations suivantes :

### En surcharge :

L'outil est utilisé d'une manière entraînant une consommation anormale de courant.

Dans cette situation, éteignez l'outil et arrêtez l'application qui a causé la surcharge de l'outil. Allumez ensuite l'outil pour redémarrer.

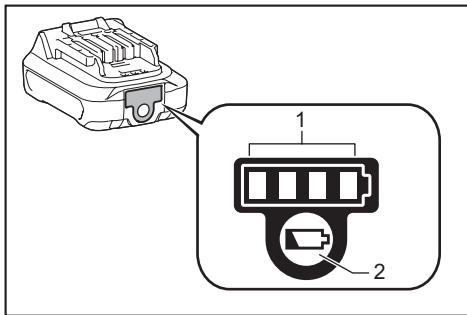
Si l'outil ne démarre pas, c'est que la batterie est surchauffée. Dans cette situation, laissez refroidir la batterie avant de rallumer l'outil.

### Tension de la batterie faible :

La capacité restante de la batterie est trop faible pour que l'outil puisse fonctionner. Si vous allumez l'outil, le moteur tourne de nouveau mais s'arrête aussitôt. Dans cette situation, retirez et rechargez la batterie.

## Affichage de la charge restante de la batterie

*Uniquement pour les batteries avec voyant*



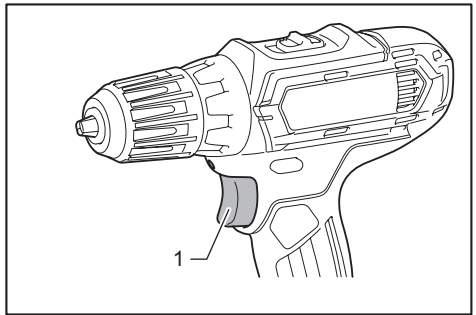
► 1. Témoins indicateurs 2. Bouton de vérification

Appuyez sur le bouton de vérification de la batterie pour afficher la charge restante de la batterie. Les témoins indicateurs s'allument pendant quelques secondes.

Témoins indicateurs		Capacité restante
Allumé	Éteint	
■ ■ ■ ■	□	75 % à 100 %
■ ■ ■ □	□	50 % à 75 %
■ ■ □ □	□	25 % à 50 %
■ □ □ □	□	0 % à 25 %

**NOTE :** Suivant les conditions d'utilisation et la température ambiante, il se peut que l'indication soit légèrement différente de la charge réelle.

## Interrupteur



► 1. Gâchette

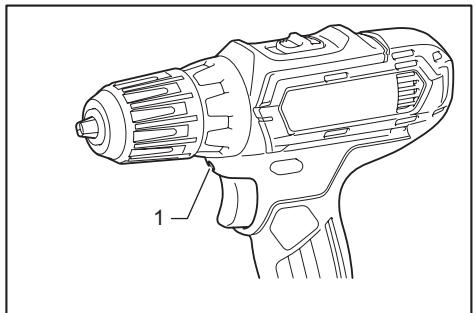
**ATTENTION :** Avant d'insérer la batterie dans l'outil, vérifiez toujours que la gâchette fonctionne bien et revient en position d'arrêt lorsque libérée.

Pour mettre l'outil en marche, appuyez simplement sur la gâchette. La vitesse de l'outil augmente à mesure que l'on accroît la pression exercée sur la gâchette. Pour arrêter l'outil, libérez la gâchette.

## Frein électrique

Cet outil est muni d'un frein électrique. Si la libération du levier de la gâchette ne permet jamais d'arrêter promptement l'outil, faites-le réparer dans un centre de service après-vente Makita.

## Allumage de la lampe avant



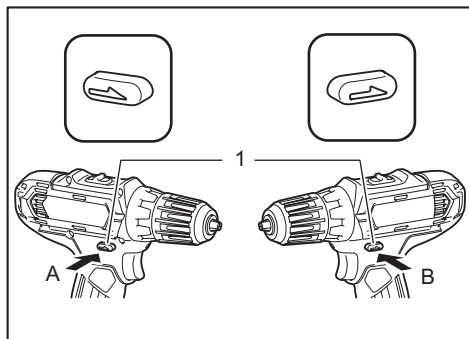
► 1. Lampe

**ATTENTION :** Évitez de regarder directement le faisceau lumineux ou sa source.

Appuyez sur la gâchette pour allumer la lampe. La lampe reste allumée tant que vous appuyez sur la gâchette. La lampe s'éteint environ 10 secondes après avoir relâché la gâchette.

**NOTE :** Utilisez un linge sec pour enlever les poussières sur la lentille de la lampe. Prenez garde de rayer la lentille de la lampe, car cela peut affecter son intensité d'éclairage.

## Fonctionnement de l'inverseur



► 1. Levier inverseur

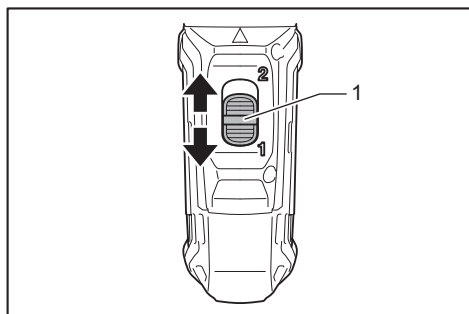
**ATTENTION** : Vérifiez toujours le sens de rotation avant de mettre l'outil en marche.

**ATTENTION** : N'actionnez l'inverseur qu'une fois l'outil complètement arrêté. Si vous changez le sens de rotation avant l'arrêt de l'outil, vous risquez de l'endommager.

**ATTENTION** : Lorsque vous n'utilisez pas l'outil, placez toujours le levier inverseur en position neutre.

L'outil possède un inverseur qui permet de changer le sens de rotation. Enfoncez le levier inverseur du côté A pour une rotation dans le sens des aiguilles d'une montre, ou du côté B pour une rotation dans le sens contraire des aiguilles d'une montre. La pression sur la gâchette n'est pas possible lorsque le levier inverseur se trouve en position neutre.

## Changement de vitesse



► 1. Levier de changement de vitesse

**ATTENTION** : Réglez toujours le levier de changement de vitesse exactement sur la position voulue. Si vous actionnez l'outil alors que le levier est placé à mi-chemin entre la position « 1 » et la position « 2 », vous risquez d'endommager l'outil.

**ATTENTION** : Ne modifiez pas la position du levier de changement de vitesse pendant que l'outil tourne. Vous risqueriez d'endommager l'outil.

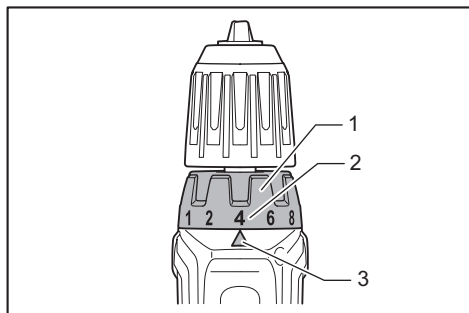
Position du levier de changement de vitesse	Vitesse	Couple de serrage	Type de travail
1	Réduite	Élevée	Charge de travail lourde
2	Élevé	Réduit	Charge de travail légère

Pour modifier la vitesse, éteignez d'abord l'outil. Sélectionnez « 2 » pour une vitesse élevée, ou « 1 » pour une vitesse réduite avec un couple de serrage élevé. Avant d'utiliser l'outil, assurez-vous que le levier de changement de vitesse se trouve à la position adéquate.

Si la vitesse de l'outil ralentit extrêmement tandis que la position « 2 » est utilisée, faites glisser le levier à la position « 1 », puis poursuivez le travail.



## Réglage du couple de serrage



► 1. Bague de réglage 2. Graduation 3. Flèche

Le couple de serrage peut être réglé sur un des 19 niveaux en tournant la bague de réglage. Alignez les graduations avec la flèche sur le bâti de l'outil. Le couple de serrage est au minimum lorsqu'il est à 1 et au maximum lorsqu'il est à l'indication 18.

L'embrayage s'engagera aux divers niveaux de couple de serrage, du numéro 1 au numéro 18. L'embrayage ne s'engage pas sur l'indication 18.

Avant d'utiliser l'outil pour le travail, faites un essai de vissage dans le matériau ou dans une pièce du même matériau que la pièce à visser, afin de déterminer le niveau de couple de serrage qui convient pour ledit matériau.

Voici un guide approximatif du rapport entre la taille de la vis et la graduation.

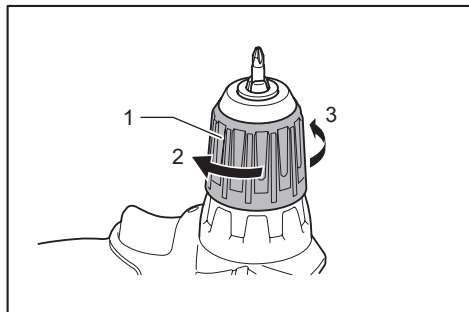
Graduation		1	2	3	4	5	6	7	8	9	10	11	12	13	14	15	16	17	18					
Vis de mécanique		M4								M5						M6								
Vis à bois	Bois mou (ex.: pin)	-								φ3,5 x 22						φ4,1 x 38								
	Bois dur (ex.: méranti)	-								-						φ3,5 x 22					-			
																φ4,1 x 38								

## ASSEMBLAGE

**⚠ ATTENTION :** Assurez-vous toujours que l'outil est éteint et que sa batterie est retirée avant d'effectuer tout travail dessus.

### Installation ou retrait de l'embout-tournevis ou de l'embout-foret

Pour le modèle DF331D (accessoire en option)

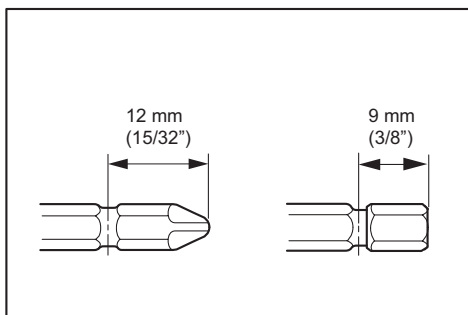


► 1. Manchon 2. Fermer 3. Ouvrir

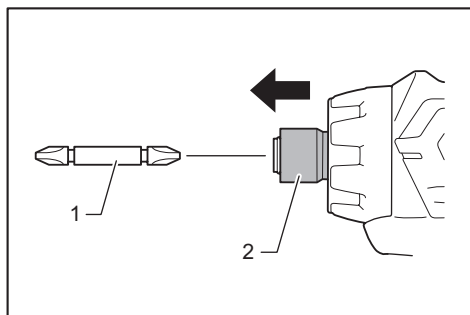
Tournez le manchon dans le sens contraire des aiguilles d'une montre pour ouvrir les mâchoires du mandrin. Insérez l'embout-tournevis ou l'embout-foret à fond dans le mandrin. Tournez le manchon dans le sens des aiguilles d'une montre pour serrer le mandrin. Pour retirer l'embout-tournevis ou l'embout-foret, tournez le manchon dans le sens contraire des aiguilles d'une montre.

### Installation ou retrait de l'embout-tournevis ou de l'embout-douille

Pour le modèle DF031D (accessoire en option)



Utilisez uniquement l'embout-tournevis ou l'embout-douille indiqué sur la figure. N'utilisez aucun autre embout-tournevis ou embout-douille.



► 1. Embout-tournevis 2. Manchon

Pour installer l'embout-tournevis, tirez le manchon dans le sens de la flèche et insérez l'embout-tournevis à fond dans le manchon.

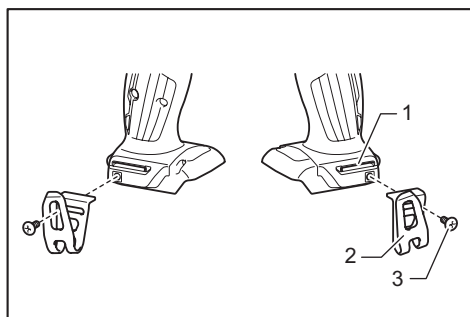
Relâchez ensuite le manchon pour fixer l'embout-tournevis.

Pour retirer l'embout-tournevis, tirez le manchon dans le sens de la flèche et dégagez l'embout-tournevis.

**NOTE :** Si l'embout-tournevis n'est pas inséré assez profondément dans le manchon, celui-ci ne reviendra sur sa position originale et l'embout-tournevis ne sera pas verrouillé. Le cas échéant, réessayez en suivant les instructions ci-dessus pour insérer l'embout.

**NOTE :** Après avoir inséré l'embout-tournevis, assurez-vous qu'il est bien verrouillé. S'il sort du manchon, ne l'utilisez pas.

## Installation du crochet

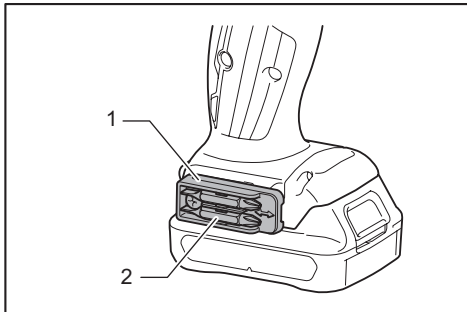


► 1. Rainure 2. Crochet 3. Vis

L'outil est équipé d'un crochet pratique qui permet de le suspendre temporairement. Il s'installe d'un côté comme de l'autre de l'outil. Pour installer le crochet, insérez-le dans l'une ou l'autre des rainures situées de chaque côté du boîtier de l'outil, puis serrez-le avec une vis. Pour le retirer, desserrez la vis et enlevez-la.

## Installation du support d'embout-tournevis

### Accessoire en option



► 1. Support d'embout-tournevis 2. Embout-tournevis

Placez le support d'embout-tournevis dans la partie saillante au pied de l'outil, du côté droit ou gauche, et fixez-le à l'aide d'une vis.

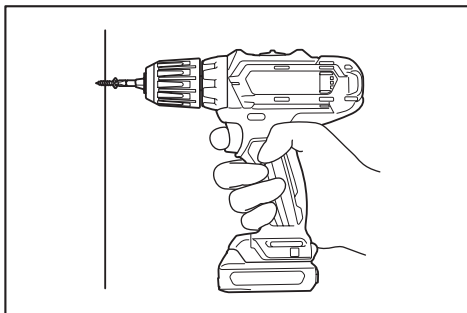
Lorsque vous n'utilisez pas l'embout-tournevis, rangez-le dans le support d'embout-tournevis. Vous pouvez y ranger des embouts-tournevis de 45 mm (1-3/4") de long.

## UTILISATION

**⚠ ATTENTION :** Insérez toujours la batterie à fond, jusqu'à ce qu'elle se verrouille en place. Si vous pouvez voir le voyant rouge situé sur le dessus du bouton, la batterie n'est pas complètement verrouillée. Insérez-la à fond, jusqu'à ce que le voyant rouge ne soit pas visible. Dans le cas contraire, elle pourrait tomber accidentellement de l'outil et entraîner des blessures, à vous ou à quelqu'un près de vous.

**⚠ ATTENTION :** Si la vitesse ralentit extrêmement, réduisez la charge ou arrêtez l'outil pour éviter de l'endommager.

Tenez fermement l'outil avec une main sur la poignée et l'autre main au bas de la batterie pour contrôler le mouvement de torsion.



## Vissage


**⚠ ATTENTION :** Ajustez la bague de réglage sur le niveau de couple de serrage qui convient au travail à effectuer.

**⚠ ATTENTION :** Assurez-vous que l'embout-tournevis est inséré bien droit dans la tête de vis, sinon la vis et/ou l'embout-tournevis risque d'être endommagé.

Placez la pointe de l'embout-tournevis dans la tête de vis et appliquez une pression sur l'outil. Faites démarrer l'outil à vitesse réduite puis augmentez graduellement la vitesse. Libérez la gâchette dès que l'engrenage s'engage.

**NOTE :** Avant d'insérer une vis à bois, percez un avant-trou d'un diamètre correspondant au 2/3 du diamètre de la vis. Cela facilite le vissage et évite le fendage de la pièce.

## Perçage

Tournez d'abord la bague de réglage de sorte que la flèche pointe vers l'indication . Procédez ensuite comme suit.

### Perçage du bois

Quand vous percez dans du bois, vous obtiendrez de meilleurs résultats avec des forets à bois munis d'une vis-guide. La vis-guide rend le perçage plus facile en entraînant l'embout-foret dans la pièce.

### Perçage du métal

Pour éviter que l'embout-foret ne glisse lorsque vous commencez à percer un trou, faites une encoche à l'aide d'un pointeau et d'un marteau à l'emplacement où le trou doit être percé. Placez la pointe de l'embout-foret dans l'encoche et commencez le perçage.

Utilisez un lubrifiant de coupe lorsque vous percez dans les métaux. Le fer et le laiton font toutefois exception à cette règle; ils doivent être percés à sec.

**⚠ ATTENTION :** Une pression excessive sur l'outil n'accélère pas le perçage. Au contraire, elle risque d'endommager la pointe de l'embout-foret, d'affecter le rendement de l'outil et de raccourcir sa durée de service.

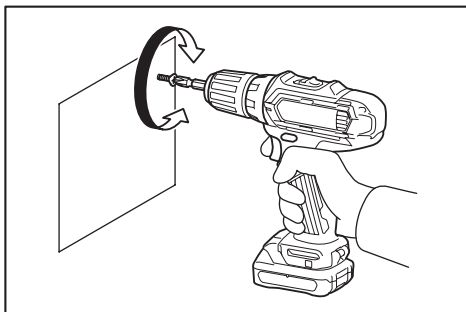
**⚠ ATTENTION :** Tenez l'outil fermement et faites bien attention lorsque l'embout-foret commence à approcher de la face opposée de la pièce. Une force énorme s'exerce sur l'outil et sur l'embout-foret au moment où ce dernier émerge de la face opposée.


**⚠ ATTENTION :** Un embout-foret coincé peut être retiré simplement en plaçant l'inverseur sur la rotation en sens inverse pour faire reculer l'outil. Il faut toutefois faire très attention, car l'outil risque de reculer brusquement si vous ne le tenez pas fermement.

**⚠ ATTENTION :** Immobilisez toujours les pièces à travailler dans un étau ou un dispositif de retenue similaire.

**⚠ ATTENTION :** Si l'outil est utilisé de manière continue jusqu'à ce que la batterie soit déchargée, laissez-le reposer 15 minutes avant de poursuivre l'opération avec une batterie fraîche.

## Utilisation de l'outil en tant que tournevis manuel



Éteignez l'outil.  
Mettez le levier inverseur sur la position neutre.  
Tournez la bague de réglage de sorte que la flèche pointe sur l'indication .  
Tournez l'outil.

**NOTE :** Cette utilisation est appropriée pour vérifier le vissage.

**NOTE :** N'utilisez pas l'outil pour un travail qui demande une trop grande force, par exemple pour serrer un boulon ou pour retirer des vis rouillées.

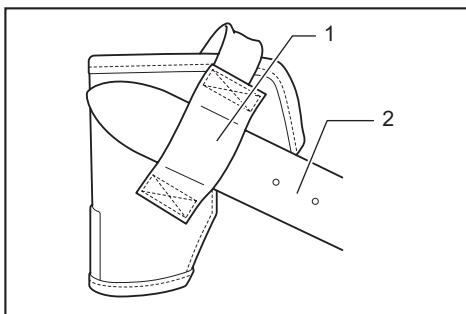
## Utilisation de l'étau

### Accessoire en option

**⚠ ATTENTION :** Lorsque vous utilisez l'étau, retirez l'embout-tournevis ou l'embout-mèche de l'outil.

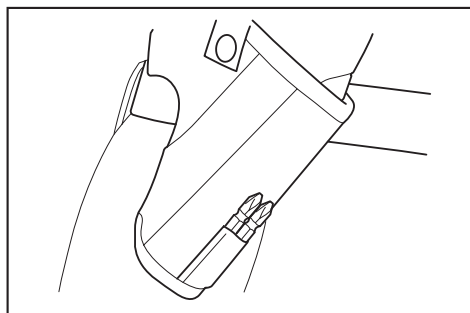
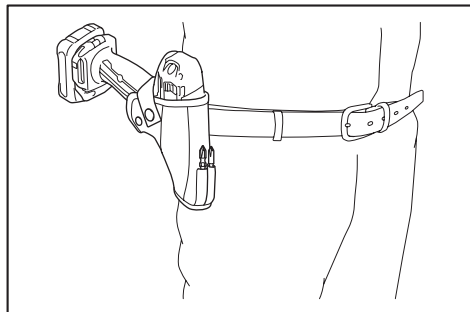
**⚠ ATTENTION :** Éteignez l'outil et attendez son arrêt complet avant de le mettre dans l'étau. Pensez à bien fermer l'étau avec son bouton, de sorte qu'il retienne l'outil fermement.

1. Faites passer une ceinture ou autre accessoire similaire à travers le porte-étau.



► 1. Porte-étau 2. Ceinture

2. Mettez l'outil dans l'étui et verrouillez-le avec le bouton d'étui.



Vous pouvez garder deux embouts-tournevis à l'avant de l'étui.

## ENTRETIEN

**ATTENTION** : Assurez-vous toujours que l'outil est hors tension et que la batterie est retirée avant d'y effectuer tout travail d'inspection ou d'entretien.

**AVIS** : N'utilisez jamais d'essence, de benzine, de solvant, d'alcool ou autres produits similaires. Une décoloration, une déformation ou la formation de fissures peuvent en découler.

Pour maintenir la SÉCURITÉ et la FIABILITÉ du produit, les réparations et tout autre travail d'entretien ou de réglage doivent être effectués dans un centre de service après-vente autorisé ou une usine Makita, exclusivement avec des pièces de rechange Makita.

## ACCESSOIRES EN OPTION

**ATTENTION** : Ces accessoires ou pièces complémentaires sont recommandés pour l'utilisation avec l'outil Makita spécifié dans ce manuel. L'utilisation de tout autre accessoire ou pièce complémentaire peut comporter un risque de blessure. N'utilisez les accessoires ou pièces complémentaires qu'aux fins auxquelles ils ont été conçus.

Si vous désirez obtenir plus de détails sur ces accessoires, veuillez contacter le centre de service après-vente Makita le plus près.

- Embouts-forets
- Embouts-tournevis
- Embouts à douille
- Embout
- Support d'embout-tournevis
- Étui
- Mallette de transport en plastique
- Crochet
- Chargeur et batterie authentiques Makita

**NOTE** : Certains éléments de la liste peuvent être inclus avec l'outil comme accessoires standards. Ils peuvent varier suivant les pays.

## GARANTIE LIMITÉE MAKITA

Pour les conditions de garantie en vigueur qui s'appliquent à ce produit, veuillez vous reporter à la feuille de garantie en annexe. Si la feuille de garantie en annexe n'est pas disponible, reportez-vous aux détails de la garantie présentés sur le site Web de votre pays, ci-dessous.

États-Unis d'Amérique: [www.makitatools.com](http://www.makitatools.com)

Canada: [www.makita.ca](http://www.makita.ca)

Autres pays: [www.makita.com](http://www.makita.com)

# ESPECIFICACIONES

Modelo:		DF331D		DF031D	
Capacidades de taladrado	Acero	10 mm (3/8")			
	Madera	21 mm (13/16")			
Capacidades de apriete	Tornillo para madera	5,1 mm x 63 mm (7/32" x 2-1/2")			
	Tornillo de máquina	6 mm (1/4")			
Velocidad sin carga (rpm)	Alta (2)	0 - 1 700 r/min			
	Baja (1)	0 - 450 r/min			
Longitud total		189 mm (7-7/16")		157 mm (6-3/16")	
Tensión nominal		10,8 V c.c. - 12 V (máx.) c.c.			
Cartucho de batería estándar		BL1016, BL1021B	BL1041B	BL1016, BL1021B	BL1041B
Peso neto		1,1 kg (2,4 lbs)	1,3 kg (2,8 lbs)	0,94 kg (2,1 lbs)	1,1 kg (2,4 lbs)

- Debido a nuestro continuo programa de investigación y desarrollo, las especificaciones aquí incluidas están sujetas a cambio sin previo aviso.
- Las especificaciones y el cartucho de batería pueden variar de país a país.
- Peso de acuerdo al procedimiento de EPTA-01/2003 incluyendo el cartucho de batería

## Advertencias generales de seguridad para herramientas eléctricas

**⚠ ADVERTENCIA:** Lea todas las advertencias de seguridad e instrucciones. El no seguir las advertencias e instrucciones indicadas puede ocasionar una descarga eléctrica, un incendio y/o lesiones graves.

## Conserve todas las advertencias e instrucciones como referencia en el futuro.

En las advertencias, el término "herramienta eléctrica" se refiere a su herramienta eléctrica de funcionamiento con conexión a la red eléctrica (con cableado eléctrico) o herramienta eléctrica de funcionamiento a batería (inalámbrica).

### Seguridad en el área de trabajo

1. **Mantenga el área de trabajo limpia y bien iluminada.** Las áreas oscuras o desordenadas son propensas a accidentes.
2. **No utilice las herramientas eléctricas en atmósferas explosivas, tal como en la presencia de líquidos, gases o polvo inflamables.** Las herramientas eléctricas crean chispas que pueden prender fuego al polvo o los humos.
3. **Mantenga a los niños y curiosos alejados mientras utiliza una herramienta eléctrica.** Las distracciones le pueden hacer perder el control.

### Seguridad eléctrica

1. **Las clavijas de conexión de las herramientas eléctricas deberán encajar perfectamente en la toma de corriente. No modifique nunca la clavija de conexión de ninguna forma. No utilice**

**ninguna clavija adaptadora con herramientas eléctricas que tengan conexión a tierra (puesta a tierra).** La utilización de clavijas no modificadas y que encajen perfectamente en la toma de corriente reducirá el riesgo de que se produzca una descarga eléctrica.

2. **Evite tocar con el cuerpo superficies conectadas a tierra o puestas a tierra tales como tubos, radiadores, cocinas y refrigeradores.** Si su cuerpo es puesto a tierra o conectado a tierra existirá un mayor riesgo de que sufra una descarga eléctrica.
3. **No exponga las herramientas eléctricas a la lluvia ni a condiciones húmedas.** La entrada de agua en una herramienta eléctrica aumentará el riesgo de que se produzca una descarga eléctrica.
4. **No maltrate el cable. Nunca utilice el cable para transportar, jalar o desconectar la herramienta eléctrica. Mantenga el cable alejado del calor, aceite, objetos cortantes o piezas móviles.** Los cables dañados o enredados aumentan el riesgo de sufrir una descarga eléctrica.
5. **Cuando utilice una herramienta eléctrica en exteriores, utilice un cable de extensión apropiado para uso en exteriores.** La utilización de un cable apropiado para uso en exteriores reducirá el riesgo de que se produzca una descarga eléctrica.
6. **Si no es posible evitar usar una herramienta eléctrica en condiciones húmedas, utilice un alimentador protegido con interruptor de circuito de falla a tierra (ICFT).** El uso de un ICFT reduce el riesgo de descarga eléctrica.

### Seguridad personal

1. **Manténgase alerta, preste atención a lo que está haciendo y utilice su sentido común cuando opere una herramienta eléctrica. No utilice una herramienta eléctrica cuando esté**

- cansado o bajo la influencia de drogas, alcohol o medicamentos.** Un momento de distracción mientras opera las herramientas eléctricas puede terminar en una lesión grave.
2. **Use equipo de protección personal. Póngase siempre protección para los ojos.** El equipo protector tal como máscara contra el polvo, zapatos de seguridad antiderrapantes, casco rígido y protección para oídos utilizado en las condiciones apropiadas reducirá el riesgo de lesiones.
  3. **Impida el encendido accidental. Asegúrese de que el interruptor esté en la posición de apagado antes de conectar a la alimentación eléctrica y/o de colocar el cartucho de batería, así como al levantar o cargar la herramienta.** Cargar las herramientas eléctricas con su dedo en el interruptor o enchufarlas con el interruptor encendido hace que los accidentes sean comunes.
  4. **Retire cualquier llave de ajuste o llave de apriete antes de encender la herramienta.** Una llave de ajuste o llave de apriete que haya sido dejada puesta en una parte giratoria de la herramienta eléctrica puede ocasionar alguna lesión.
  5. **No utilice la herramienta donde no alcance. Mantenga los pies sobre suelo firme y el equilibrio en todo momento.** Esto permite un mejor control de la herramienta eléctrica en situaciones inesperadas.
  6. **Use vestimenta apropiada. No use ropas sueltas ni joyas. Mantenga el cabello, la ropa y los guantes alejados de las piezas móviles.** Las prendas de vestir holgadas, las joyas y el cabello suelto podrían engancharse en las piezas móviles.
  7. **Si dispone de dispositivos para la conexión de equipos de extracción y recolección de polvo, asegúrese de conectarlos y utilizarlos debidamente.** Hacer uso de la recolección de polvo puede reducir los riesgos relacionados con el polvo.
5. **Realice el mantenimiento a las herramientas eléctricas. Compruebe que no haya partes móviles desalineadas o estancadas, piezas rotas y cualquier otra condición que pueda afectar al funcionamiento de la herramienta eléctrica.** Si la herramienta eléctrica está dañada, haga que se la reparen antes de utilizarla. Muchos accidentes son ocasionados por herramientas eléctricas con mantenimiento inadecuado.
  6. **Mantenga las herramientas de corte limpias y filosas.** Si recibe un mantenimiento adecuado y tiene los bordes afilados, es probable que la herramienta se atasque menos y sea más fácil controlarla.
  7. **Utilice la herramienta eléctrica, los accesorios y las brocas de acuerdo con estas instrucciones, considerando las condiciones laborales y el trabajo a realizar.** Si utiliza la herramienta eléctrica para realizar operaciones distintas de las indicadas, podrá presentarse una situación peligrosa.

#### Uso y cuidado de la herramienta a batería

1. **Recargue sólo con el cargador especificado por el fabricante.** Un cargador que es adecuado para un solo tipo de batería puede generar riesgo de incendio al ser utilizado con otra batería.
  2. **Utilice las herramientas eléctricas solamente con las baterías designadas específicamente para ellas.** La utilización de cualquier otra batería puede crear un riesgo de lesiones o incendio.
  3. **Cuando no se esté usando la batería, manténgala alejada de otros objetos metálicos, como sujetapapeles (clips), monedas, llaves, clavos, tornillos u otros objetos pequeños de metal los cuales pueden actuar creando una conexión entre las terminales de la batería.** Originar un cortocircuito en las terminales puede causar quemaduras o incendios.
  4. **En condiciones abusivas, podrá escapar líquido de la batería; evite tocarlo. Si lo toca accidentalmente, enjuague con agua. Si hay contacto del líquido con los ojos, busque asistencia médica.** Puede que el líquido expulsado de la batería cause irritación o quemaduras.
  5. **No utilice una herramienta ni una batería que estén dañadas o hayan sido modificadas.** Las baterías dañadas o modificadas podrían ocasionar una situación inesperada provocando un incendio, explosión o riesgo de lesiones.
  6. **No exponga la herramienta ni la batería al fuego ni a una temperatura excesiva.** La exposición al fuego o a una temperatura superior a los 130 °C podría causar una explosión.
  7. **Siga todas las instrucciones para la carga y evite cargar la herramienta o la batería fuera del rango de temperatura especificado en las instrucciones.** Una carga inadecuada o a una temperatura fuera del rango especificado podría dañar la batería e incrementar el riesgo de incendio.
- Mantenimiento y uso de la herramienta eléctrica**
1. **No fuerce la herramienta eléctrica. Utilice la herramienta eléctrica correcta para su aplicación.** La herramienta eléctrica adecuada hará un mejor trabajo y de forma más segura a la velocidad para la que ha sido fabricada.
  2. **No utilice la herramienta eléctrica si el interruptor no la enciende y apaga.** Cualquier herramienta eléctrica que no pueda ser controlada con el interruptor es peligrosa y debe ser reemplazada.
  3. **Desconecte la clavija de la fuente de energía y/o la batería de la herramienta eléctrica antes de realizar ajustes, cambiar accesorios o guardar las herramientas eléctricas.** Dichas medidas de seguridad preventivas reducen el riesgo de que la herramienta se inicie accidentalmente.
  4. **Guarde la herramienta eléctrica que no use fuera del alcance de los niños y no permita que las personas que no están familiarizadas con ella o con las instrucciones la operen.** Las herramientas eléctricas son peligrosas en manos de personas que no saben operarlas.

## Servicio

1. Haga que una persona calificada repare la herramienta eléctrica utilizando sólo piezas de repuesto idénticas. Esto asegura que se mantenga la seguridad de la herramienta eléctrica.
2. Siga las instrucciones para la lubricación y cambio de accesorios.
3. Mantenga las agarraderas secas, limpias y sin aceite o grasa.

## Advertencias de seguridad para el taladro atornillador inalámbrico


1. Utilice los mango(s) auxiliare(s) que se suministren con la herramienta. La pérdida de control puede ocasionar lesiones.
2. Sujete la herramienta eléctrica por las superficies de agarre aisladas al realizar una operación en la que el accesorio de corte pueda estar en contacto con cables ocultos. Si el accesorio de corte entra en contacto con un cable con corriente, las piezas metálicas expuestas de la herramienta eléctrica se cargarán también de corriente y el operario podrá recibir una descarga eléctrica.
3. Sujete la herramienta eléctrica por las superficies de agarre aisladas al realizar una operación en la que el sujetador pueda entrar en contacto con cables ocultos. Si el sujetador entra en contacto con un cable con corriente, las piezas metálicas expuestas de la herramienta eléctrica se cargarán también de corriente y el operario puede recibir una descarga.
4. Asegúrese siempre de que pisa sobre suelo firme. Asegúrese de que no haya nadie debajo cuando utilice la herramienta en lugares altos.
5. Sujete la herramienta con firmeza.
6. Mantenga las manos alejadas de las piezas giratorias.
7. No deje la herramienta funcionando. Ponga la herramienta en marcha únicamente cuando la tenga con usted.
8. No toque la broca de taladro o la pieza de trabajo inmediatamente después de la operación, ya que podría estar extremadamente caliente y ocasionar quemaduras en la piel.
9. Algunos materiales contienen sustancias químicas que pueden ser tóxicas. Evite inhalar polvo y que éste entre en contacto con la piel. Consulte la hoja de seguridad de materiales del proveedor.
10. Si la broca no puede ser aflojada aun abriendo las mordazas, utilice tenazas para sacarla. En este caso, sacar la broca con la mano podría ocasionar una lesión a causa de su borde filoso.

## GUARDE ESTAS INSTRUCCIONES.

**⚠ ADVERTENCIA:** NO DEJE que la comodidad o familiaridad con el producto (a base de utilizarlo repetidamente) evite que siga estrictamente las normas de seguridad para dicho producto. El USO INCORRECTO o el no seguir las normas de seguridad indicadas en este manual de instrucciones puede ocasionar lesiones graves.

## Símbolos

A continuación se muestran los símbolos utilizados para la herramienta.

V	volts o voltios
	corriente directa o continua
n <sub>o</sub>	velocidad sin carga
... /min r/min	revoluciones o alternaciones por minuto, frecuencia de rotación

## Instrucciones importantes de seguridad para el cartucho de batería

1. Antes de utilizar el cartucho de batería, lea todas las instrucciones e indicaciones de precaución en el (1) el cargador de batería, (2) la batería, y (3) el producto con el que se utiliza la batería.
2. No desarme el cartucho de batería.
3. Si el tiempo de operación se ha acortado en exceso, deje de operar de inmediato. Podría correrse el riesgo de sobrecalentamiento, posibles quemaduras e incluso explosión.
4. En caso de que ingresen electrolitos en sus ojos, enjuáguelos bien con agua limpia y consulte de inmediato a un médico. Esto podría ocasionar pérdida de visión.
5. Evite cortocircuitar el cartucho de batería:
  - (1) No toque las terminales con ningún material conductor.
  - (2) Evite guardar el cartucho de batería en un cajón junto con otros objetos metálicos, tales como clavos, monedas, etc.
  - (3) No exponga el cartucho de batería al agua o la lluvia.Un cortocircuito en la batería puede causar un flujo grande de corriente, sobrecalentamiento, posibles quemaduras e incluso una descompostura.
6. No guarde la herramienta ni el cartucho de batería en lugares donde la temperatura pueda alcanzar o exceder los 50°C (122°F).
7. Nunca incinere el cartucho de batería incluso en el caso de que esté dañado seriamente o ya no sirva en absoluto. El cartucho de batería puede explotar si se tira al fuego.
8. Tenga cuidado de no dejar caer ni golpear la batería.
9. No use una batería dañada.
10. Las baterías de ión de litio están sujetas a los requisitos reglamentarios en materia de bienes peligrosos.  
Para el transporte comercial, por ej., mediante terceros o agentes de transporte, se deben tomar en cuenta los requisitos especiales relativos al empaque y el etiquetado.

Para efectuar los preparativos del artículo que se va a enviar, se requiere consultar a un experto en materiales peligrosos. Si es posible, consulte además otras regulaciones nacionales más detalladas.

Pegue o cubra con cinta adhesiva los contactos abiertos y empaque la batería de manera que ésta no pueda moverse dentro del paquete.

11. **Siga las regulaciones locales relacionadas al desecho de las baterías.**
12. **Utilice las baterías únicamente con los productos especificados por Makita.** Instalar las baterías en productos que no cumplan con los requisitos podría ocasionar un incendio, un calentamiento excesivo, una explosión o una fuga de electrolito.

## GUARDE ESTAS INSTRUCCIONES.

**⚠PRECAUCIÓN:** Utilice únicamente baterías originales de Makita. El uso de baterías no originales de Makita, o de baterías alteradas, puede ocasionar que las baterías exploten causando un incendio, lesiones personales y daños. Asimismo, esto invalidará la garantía de Makita para la herramienta y el cargador Makita.

## Consejos para alargar al máximo la vida útil de la batería

1. **Cargue el cartucho de batería antes de que se descargue completamente. Pare siempre la operación y cargue el cartucho de batería cuando note menos potencia en la herramienta.**
2. **No cargue nunca un cartucho de batería que esté completamente cargado. La sobrecarga acortará la vida de servicio de la batería.**
3. **Cargue el cartucho de batería a una temperatura ambiente de 10 °C - 40 °C (50 °F - 104 °F). Si un cartucho de batería está caliente, déjelo enfriar antes de cargarlo.**

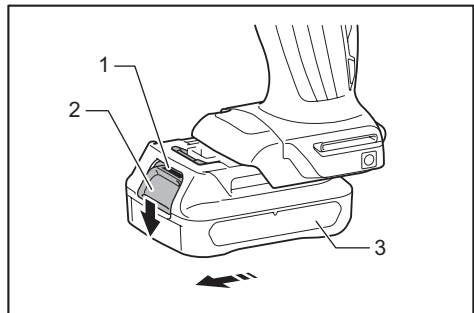
## DESCRIPCIÓN DEL FUNCIONAMIENTO

**⚠PRECAUCIÓN:** Asegúrese siempre de que la herramienta esté apagada y el cartucho de batería haya sido extraído antes de realizar cualquier ajuste o comprobación en la herramienta.

## Instalación o extracción del cartucho de batería

**⚠PRECAUCIÓN:** Apague siempre la herramienta antes de colocar o quitar el cartucho de batería.

**⚠PRECAUCIÓN:** Sujete la herramienta y el cartucho de la batería con firmeza al colocar o quitar el cartucho de batería. Si no se sujeta con firmeza la herramienta y el cartucho de batería, puede ocasionar que se resbalen de sus manos causando daños a la herramienta y al cartucho de batería, así como lesiones a la persona.



► 1. Indicador rojo 2. Botón 3. Cartucho de batería

Para quitar el cartucho de batería, deslícelo de la herramienta mientras desliza el botón sobre la parte delantera del cartucho.

Para colocar el cartucho de batería, alinee la lengüeta sobre el cartucho de batería con la ranura en la carcasa y deslice en su lugar. Inserte por completo hasta que se fije en su lugar con un pequeño clic. Si puede ver el indicador rojo del lado superior del botón, esto indica que no ha quedado fijo por completo.

**⚠PRECAUCIÓN:** Introduzca siempre completamente el cartucho de batería hasta que el indicador rojo no pueda verse. Si no, podría accidentalmente salirse de la herramienta y caer al suelo causando una lesión a usted o alguien a su alrededor.

**⚠PRECAUCIÓN:** No instale el cartucho de batería a la fuerza. Si el cartucho no se desliza al interior fácilmente, se debe a que no está siendo insertado correctamente.



## Sistema de protección de batería

La herramienta está equipada con un sistema de protección de batería. Este sistema corta en forma automática el suministro de energía al motor para prolongar la vida útil de la batería.

La herramienta se detendrá automáticamente durante el funcionamiento si la herramienta y/o la batería se someten a una de las siguientes condiciones:

### Sobrecarga:

La herramienta se está utilizando de una manera que causa que consuma una cantidad de corriente inusualmente alta.

En este caso, apague la herramienta y detenga la aplicación que causó que la herramienta se sobrecargara. Luego encienda la herramienta para reiniciarla.

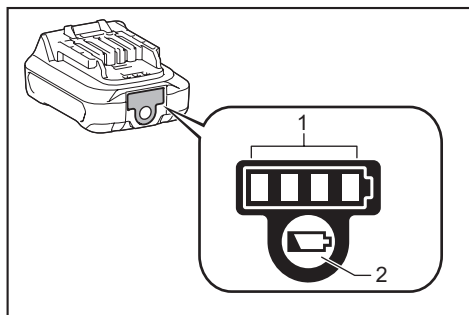
Si la herramienta no arranca, significa que la batería se sobrecalentó. En este caso, espere a que la batería se enfríe antes de volver a encender la herramienta.

### Bajo voltaje de la batería:

La capacidad restante de la batería es demasiado baja y la herramienta no funcionará. Si enciende la herramienta, el motor vuelve a funcionar pero se detiene al poco tiempo. En este caso, extraiga la batería y vuelva a cargarla.

## Indicación de la capacidad restante de la batería

*Únicamente para cartuchos de batería con el indicador*



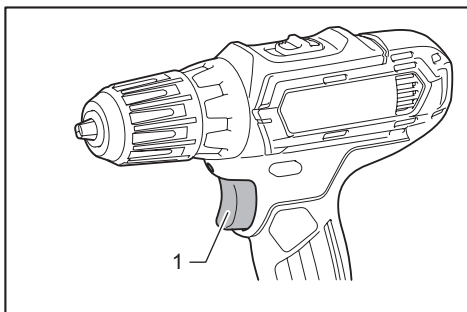
► 1. Luces indicadoras 2. Botón de verificación

Oprima el botón de verificación en el cartucho de la batería para que indique la capacidad restante de la batería. Las luces indicadoras se iluminarán por algunos segundos.

Luces indicadoras		Capacidad restante
Iluminadas	Apagado	
■ ■ ■ ■	□	75% a 100%
■ ■ ■ □	□	50% a 75%
■ ■ □ □	□ □	25% a 50%
■ □ □ □	□ □ □ □	0% a 25%

**NOTA:** Dependiendo de las condiciones de uso y la temperatura ambiente, la indicación podrá diferir ligeramente de la capacidad real.

## Accionamiento del interruptor



► 1. Gatillo interruptor

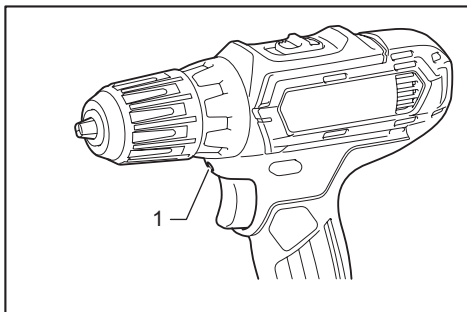
**PRECAUCIÓN:** Antes de insertar el cartucho de batería en la herramienta, compruebe siempre y cerciórese de que el gatillo interruptor se acciona debidamente y que vuelve a la posición "OFF" (apagado) cuando lo suelta.

Para poner en marcha la herramienta, simplemente apriete el gatillo interruptor. La velocidad de la herramienta aumenta incrementando la presión en el gatillo. Para detenerla, suelte el gatillo.

## Freno eléctrico

La herramienta está equipada con un freno eléctrico. Si la herramienta falla constantemente en detenerse tras soltar el gatillo interruptor, lleve la herramienta a mantenimiento a un centro de servicio Makita.

## Iluminación de la luz delantera



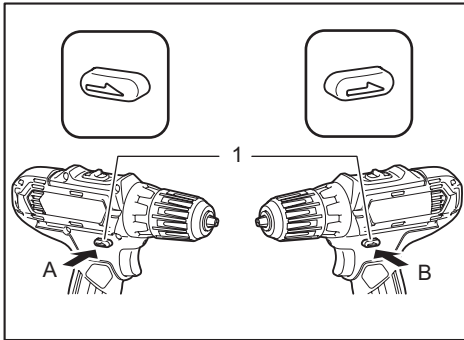
► 1. Luz

**PRECAUCIÓN:** No mire a la luz ni vea a la fuente de luz directamente.

Jale el gatillo interruptor para encender la luz. La luz continúa iluminándose mientras se está jalando el gatillo interruptor. La luz se apaga aproximadamente 10 segundos tras haber liberado el gatillo interruptor.

**NOTA:** Utilice un paño seco para quitar la suciedad de la lente de la lámpara. Tenga cuidado de no rayar la lente de la lámpara ya que la iluminación podría disminuir.

## Accionamiento del conmutador de inversión de giro



► 1. Palanca del interruptor de inversión

**PRECAUCIÓN:** Confirme siempre la dirección de rotación antes de la operación.

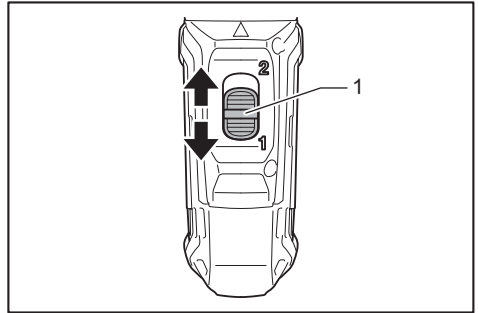
**PRECAUCIÓN:** Utilice el conmutador de inversión solamente después de que la herramienta haya parado completamente. Si cambia la dirección de rotación antes de que la herramienta haya parado podría dañarla.

**PRECAUCIÓN:** Cuando no esté utilizando la herramienta, ponga siempre la palanca del conmutador de inversión en la posición neutral.

Esta herramienta tiene un conmutador de inversión para cambiar la dirección de rotación. Presione la palanca del conmutador de inversión desde el lado A para una rotación en sentido de las manecillas del reloj o desde el lado B, para una rotación en sentido inverso al de las manecillas del reloj.

Cuando la palanca del conmutador de inversión esté en la posición neutral, no se podrá jalar el gatillo conmutador.

## Cambio de velocidad



► 1. Palanca de cambio de velocidad

**PRECAUCIÓN:** Coloque siempre la palanca de cambio de velocidad exactamente en la posición correcta. Si usted utiliza la herramienta con la palanca de cambio de velocidad puesta a medias entre la posición "1" y "2", la herramienta puede dañarse.

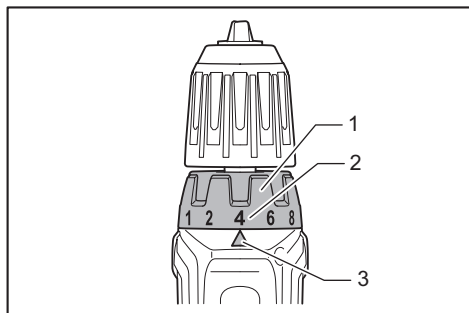
**PRECAUCIÓN:** No utilice la palanca de cambio de velocidad mientras la herramienta está en marcha. La herramienta puede dañarse.

Posición de la palanca de cambio de velocidad	Velocidad	Torsión	Operación aplicable
1	Baja	Alta	Operación de carga pesada
2	Alta	Baja	Operación de carga ligera

Para cambiar la velocidad, primero apague la herramienta. Luego, seleccione la posición "2" para alta velocidad y la "1" para baja velocidad pero con torsión alta. Asegúrese de que la palanca de cambio de velocidad esté ajustada a la posición correcta antes de iniciar la operación.

Si la velocidad de la herramienta se reduce extremadamente durante la operación en la posición "2", deslice la palanca a la posición "1" y reinicie la operación.

## Ajuste de la torsión de apriete



► 1. Anillo de ajuste 2. Graduación 3. Flecha

La torsión de apriete puede ajustarse en 19 niveles girando el anillo de ajuste. Alinee las graduaciones con la flecha en el cuerpo de la herramienta. Puede conseguir una fijación de torsión mínima en 1 y una torsión máxima en la marca . El embrague se deslizará entre los diferentes niveles de torsión cuando esté ajustado en los números 1 a 18. El embrague no funciona en la marca .

Antes de iniciar la operación, coloque un tornillo de prueba en su material o en un pedazo del mismo material para determinar qué nivel de torsión se requiere para una aplicación en particular.

La siguiente es una guía aproximada de la relación entre el tamaño del tornillo y la graduación.

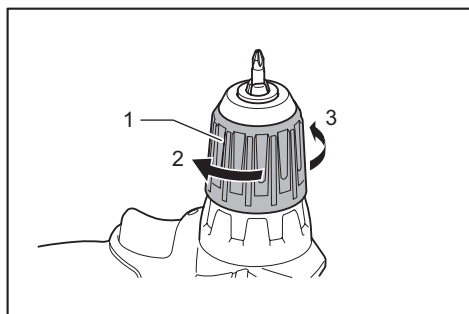
Graduación		1	2	3	4	5	6	7	8	9	10	11	12	13	14	15	16	17	18	
Tornillo de máquina		4 mm				5 mm				6 mm										
Tornillo para madera	Madera blanda (p. ej., pino)	-				-				φ3,5 mm x 22 mm				φ4,1 mm x 38 mm						
	Madera dura (p. ej., lauan)	-				-				-				φ3,5 mm x 22 mm				-		
														φ4,1 mm x 38 mm						

## MONTAJE

**⚠ PRECAUCIÓN:** Asegúrese siempre de que la herramienta esté apagada y el cartucho de batería haya sido extraído antes de realizar cualquier trabajo en la misma.

### Instalación o extracción de la punta de destornillador/broca de taladro

Para el modelo DF331D (accesorio opcional)

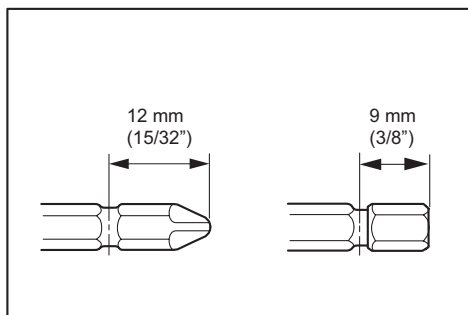


► 1. Mandril 2. Cerrar 3. Abrir

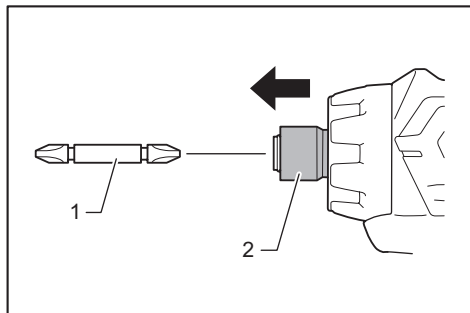
Gire el mandril en sentido inverso al de las manecillas del reloj para abrir las garras de la prensa de sujeción. Inserte la punta de destornillador/broca de taladro completamente en la prensa de sujeción. Gire el mandril en sentido de las manecillas del reloj para apretar la prensa de sujeción. Para extraer la punta de destornillador/broca de taladro, gire el mandril en sentido inverso al de las manecillas del reloj.

### Instalación o extracción de la punta de destornillador/punta de atornillar

Para el modelo DF031D (accesorio opcional)



Utilice únicamente la punta de destornillador/punta de atornillar que se muestra en la figura. No utilice ninguna otra punta de destornillador/punta de atornillar.



► 1. Punta para atornillar 2. Mandril

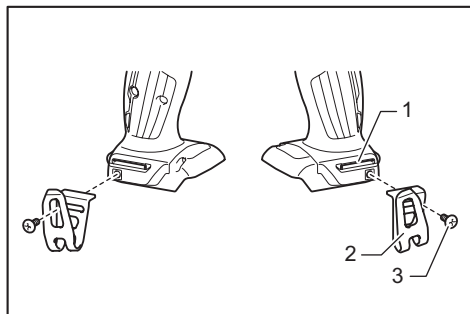
Para instalar la punta para atornillar, jale el mandril en dirección de la flecha e inserte la punta para atornillar en el mandril hasta donde sea posible. Luego suelte el mandril para asegurar la punta para atornillar.

Para quitar la punta para atornillar, jale el mandril en dirección de la flecha y jale la punta para atornillar hacia afuera.

**NOTA:** Si la punta de destornillador no se encuentra insertada hasta el fondo en el mandril, éste no regresará a su posición original y la punta de destornillador no quedará asegurada. En este caso, procure insertar la broca de nuevo siguiendo las instrucciones de arriba.

**NOTA:** Tras insertar la punta de destornillador, asegúrese de que quede firmemente ajustada. Si se sale, no la utilice.

## Instalación del gancho

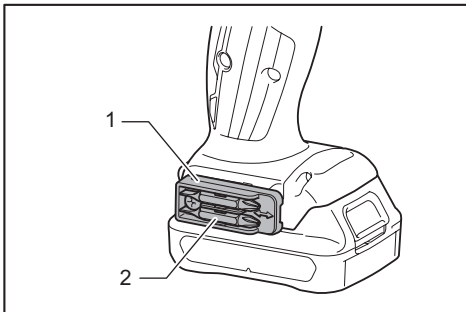


► 1. Ranura 2. Gancho 3. Tornillo

El gancho resulta útil para colgar temporalmente la herramienta. Se puede instalar en cualquiera de los lados de la herramienta. Para instalar el gancho, insértele en una ranura de la carcasa de la herramienta de cualquiera de los lados y después sujételo con un tornillo. Para quitarlo, afloje el tornillo y después sáquelo.

## Instalación del portabrocas

### Accesorio opcional



► 1. Portabrocas 2. Punta de destornillador

Coloque el portabrocas en la protuberancia en la base de la herramienta o ya sea del lado derecho o izquierdo y asegúrelo con un tornillo.

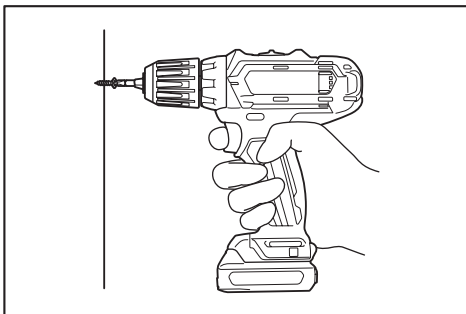
Cuando no utilice la punta de destornillador, manténgala dentro del portabrocas. Las puntas de destornillador de 45 mm de largo (1-3/4") se pueden guardar ahí.

## OPERACIÓN

**⚠PRECAUCIÓN:** Siempre inserte completamente el cartucho de batería hasta que quede asegurado en su lugar. Si puede ver el indicador rojo del lado superior del botón, esto indica que no ha quedado completamente asegurado. Insértele por completo hasta que el indicador rojo no pueda verse. De lo contrario, podría salirse accidentalmente de la herramienta y ocasionarle lesiones a usted o a alguien a su alrededor.

**⚠PRECAUCIÓN:** Cuando la velocidad baje demasiado, reduzca la carga o detenga la herramienta para evitar daños en ésta.

Sujete firmemente la herramienta con una mano en la agarradera y otra en la parte inferior del cartucho de batería para controlar la acción de torsión.



## Operación de atornillado


**⚠PRECAUCIÓN:** Coloque el anillo de ajuste en el nivel de torsión apropiado para su trabajo.

**⚠PRECAUCIÓN:** Asegúrese de que la punta de destornillador se inserte exactamente en la cabeza del tornillo, de lo contrario el tornillo y/o la punta de destornillador pueden dañarse.

Coloque la punta de la punta de destornillador sobre la cabeza del tornillo y aplique presión en la herramienta. Haga funcionar la herramienta lentamente y después aumente la velocidad gradualmente. Suelte el gatillo interruptor en cuanto el embrague patine.

**NOTA:** Cuando atornille en madera, taladre primero un orificio de 2/3 del diámetro del tornillo. Esto facilita la operación y evita que la pieza de trabajo se rompa en dos.

## Operación de taladrado

Primero, gire el anillo de ajuste de tal forma que la flecha apunte hacia la marca . Después proceda como sigue.

### Taladrado en madera

Cuando taladre en madera, podrá obtener mejores resultados si utiliza brocas para madera equipadas con un tornillo guía. El tornillo guía facilita el taladrado jalando la broca de taladro hacia el interior de la pieza de trabajo.

### Taladrado en metal

Para evitar que la broca de taladro resbale una vez que comience a hacer el orificio, haga un surco con punzón y un martillo en el punto a taladrar. Coloque la punta de la broca de taladro en el surco y comience a taladrar. Utilice un lubricante para corte cuando taladre metales. Salvo en el caso de hierro y bronce, los cuales deberán ser taladrados en seco.

**⚠PRECAUCIÓN:** Ejercer una presión excesiva sobre la herramienta no hará que consiga taladrar más rápido. De hecho, una presión excesiva sólo logrará dañar la punta de la broca de taladro, reducir el desempeño y acortar la vida útil de la herramienta.

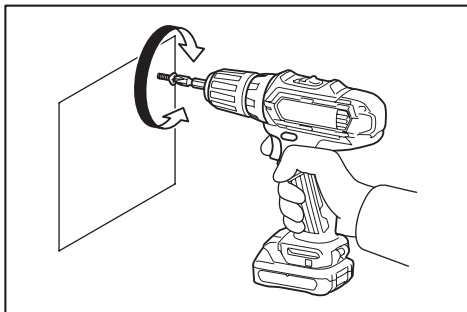
**⚠PRECAUCIÓN:** Sujete firmemente la herramienta y tenga cuidado cuando la broca de taladro comience a penetrar en la pieza de trabajo. La fuerza ejercida en la herramienta/broca de taladro al momento de la penetración es enorme.


**⚠PRECAUCIÓN:** Para extraer una broca de taladro atorada, basta simplemente con ajustar el interruptor de inversión en rotación inversa para hacerla retroceder. Sin embargo, la herramienta puede retroceder bruscamente si no la sujeta con firmeza.

**⚠PRECAUCIÓN:** Asegure siempre las piezas de trabajo con un tornillo de banco o dispositivo de sujeción similar.

**⚠PRECAUCIÓN:** Si utiliza la herramienta de forma continua hasta que el cartucho de batería se descargue, deje descansar la herramienta durante 15 minutos antes de proceder con una batería llena.

## Uso de la herramienta como atornillador manual



Apague la herramienta.  
Mueva la palanca del interruptor de inversión a la posición neutral.  
Gire el anillo de ajuste de forma que la flecha quede apuntando hacia la  marca.  
Gire la herramienta.

**NOTA:** Este uso es conveniente para revisar el atornillado.

**NOTA:** No utilice la herramienta para un trabajo que requiera una fuerza excesiva, por ejemplo, apretar un perno o retirar tornillos oxidados.

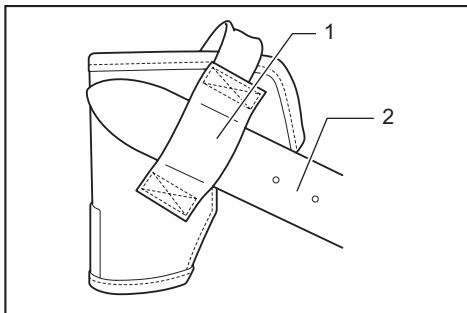
## Uso de la funda

### Accesorio opcional

**⚠PRECAUCIÓN:** Cuando utilice la funda, extraiga la punta para atornillar/broca de la herramienta.

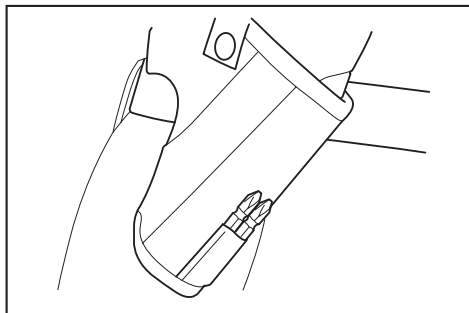
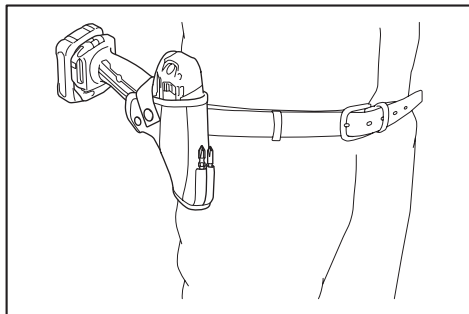
**⚠PRECAUCIÓN:** Apague la herramienta y espere hasta que se detenga por completo antes de colocarla en la funda.  
Asegúrese de cerrar bien la funda con el broche para que sostenga firmemente a la herramienta.

1. Introduzca un cinturón o similar a través de la agarradera de la funda.



► 1. Agarradera de la funda 2. Cinturón

2. Coloque la herramienta en la funda y asegúrela con el broche de la funda.



Puede guardar dos puntas para atornillar en la parte delantera de la funda.

## MANTENIMIENTO

**PRECAUCIÓN:** Asegúrese siempre de que la herramienta esté apagada y el cartucho de batería extraído antes de intentar realizar una inspección o mantenimiento.

**AVISO:** Nunca use gasolina, bencina, diluyente (tiner), alcohol o sustancias similares. Puede que esto ocasione grietas o descoloramiento.

Para mantener la SEGURIDAD y FIABILIDAD del producto, las reparaciones, y cualquier otra tarea de mantenimiento o ajuste deberán ser realizadas en centros de servicio autorizados o de fábrica Makita, empleando siempre repuestos Makita.

## ACCESORIOS OPCIONALES

**PRECAUCIÓN:** Estos accesorios o aditamentos están recomendados para utilizarse con su herramienta Makita especificada en este manual. El empleo de cualquier otro accesorio o aditamento puede conllevar el riesgo de lesiones personales. Utilice los accesorios o aditamentos solamente para su fin establecido.

Si necesita cualquier ayuda para más detalles en relación con estos accesorios, pregunte a su centro de servicio local Makita.

- Brocas de taladro
- Puntas de destornillador
- Puntas intercambiables
- Aditamento de broca
- Portabrocas
- Funda
- Estuche de transporte de plástico
- Gancho
- Batería y cargador originales de Makita

**NOTA:** Algunos de los artículos en la lista pueden incluirse en el paquete de la herramienta como accesorios estándar. Éstos pueden variar de país a país.

## GARANTÍA LIMITADA DE MAKITA

### Ésta Garantía no aplica para México

Consulte la hoja de la garantía anexa para ver los términos más vigentes de la garantía aplicable a este producto. En caso de no disponer de esta hoja de garantía anexa, consulte los detalles sobre la garantía descritos en el sitio web de su país respectivo indicado a continuación.

Estados Unidos de América: [www.makitatools.com](http://www.makitatools.com)

Canadá: [www.makita.ca](http://www.makita.ca)

Otros países: [www.makita.com](http://www.makita.com)



< USA only >

# WARNING

Some dust created by power sanding, sawing, grinding, drilling, and other construction activities contains chemicals known to the State of California to cause cancer, birth defects or other reproductive harm. Some examples of these chemicals are:

- lead from lead-based paints,
- crystalline silica from bricks and cement and other masonry products, and
- arsenic and chromium from chemically-treated lumber.

Your risk from these exposures varies, depending on how often you do this type of work. To reduce your exposure to these chemicals: work in a well ventilated area, and work with approved safety equipment, such as those dust masks that are specially designed to filter out microscopic particles.

< Sólo en los Estados Unidos >

# ADVERTENCIA

Algunos polvos creados por el lijado, aserrado, esmerilado, taladrado y otras actividades de la construcción contienen sustancias químicas reconocidas por el Estado de California como causantes de cáncer, defectos de nacimiento y otros peligros de reproducción. Algunos ejemplos de estos productos químicos son:

- plomo de pinturas a base de plomo,
- sílice cristalino de ladrillos y cemento y otros productos de albañilería, y
- arsénico y cromo de maderas tratadas químicamente.

El riesgo al que se expone varía, dependiendo de la frecuencia con la que realice este tipo de trabajo. Para reducir la exposición a estos productos químicos: trabaje en un área bien ventilada y póngase el equipo de seguridad indicado, tal como las máscaras contra polvo que están especialmente diseñadas para filtrar partículas microscópicas.

**Makita Corporation**

3-11-8, Sumiyoshi-cho,  
Anjo, Aichi 446-8502 Japan

[www.makita.com](http://www.makita.com)

885440B936  
DF031D-1  
EN, FRCA, ESMX  
20171028

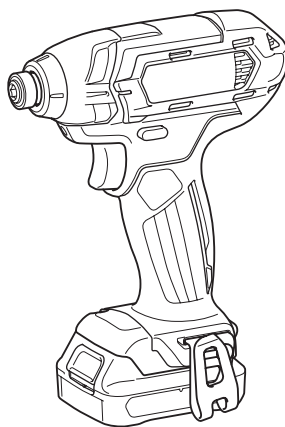


INSTRUCTION MANUAL  
MANUEL D'INSTRUCTION  
MANUAL DE INSTRUCCIONES



# Cordless Impact Driver Tournevis à Chocs sans Fil Atornillador de Impacto Inalámbrico

## TD110D



**IMPORTANT:** Read Before Using.

**IMPORTANT :** Lire avant usage.

**IMPORTANTE:** Lea antes de usar.

# SPECIFICATIONS

Model:		TD110D
Fastening capacities	Machine screw	4 mm - 8 mm (5/32" - 5/16")
	Standard bolt	5 mm - 12 mm (3/16" - 1/2")
	High tensile bolt	5 mm - 10 mm (3/16" - 3/8")
No load speed (RPM)		0 - 2,600 /min
Impacts per minute		0 - 3,500 /min
Overall length		153 mm (6")
Rated voltage		D.C. 10.8 V - 12 V max
Standard battery cartridge		BL1016, BL1021B      BL1041B
Net weight		1.0 kg (2.3 lbs)      1.2 kg (2.6 lbs)

- Due to our continuing program of research and development, the specifications herein are subject to change without notice.
- Specifications and battery cartridge may differ from country to country.
- Weight, with battery cartridge, according to EPTA-Procedure 01/2003

## General power tool safety warnings

**⚠ WARNING:** Read all safety warnings and all instructions. Failure to follow the warnings and instructions may result in electric shock, fire and/or serious injury.

## Save all warnings and instructions for future reference.

The term "power tool" in the warnings refers to your mains-operated (corded) power tool or battery-operated (cordless) power tool.

### Work area safety

1. **Keep work area clean and well lit.** Cluttered or dark areas invite accidents.
2. **Do not operate power tools in explosive atmospheres, such as in the presence of flammable liquids, gases or dust.** Power tools create sparks which may ignite the dust or fumes.
3. **Keep children and bystanders away while operating a power tool.** Distractions can cause you to lose control.

### Electrical Safety

1. **Power tool plugs must match the outlet. Never modify the plug in any way. Do not use any adapter plugs with earthed (grounded) power tools.** Unmodified plugs and matching outlets will reduce risk of electric shock.
2. **Avoid body contact with earthed or grounded surfaces, such as pipes, radiators, ranges and refrigerators.** There is an increased risk of electric shock if your body is earthed or grounded.
3. **Do not expose power tools to rain or wet conditions.** Water entering a power tool will increase the risk of electric shock.
4. **Do not abuse the cord. Never use the cord for carrying, pulling or unplugging the power tool. Keep cord away from heat, oil, sharp edges or moving parts.** Damaged or entangled cords increase the risk of electric shock.

5. **When operating a power tool outdoors, use an extension cord suitable for outdoor use.** Use of a cord suitable for outdoor use reduces the risk of electric shock.
6. **If operating a power tool in a damp location is unavoidable, use a ground fault circuit interrupter (GFCI) protected supply.** Use of a GFCI reduces the risk of electric shock.

### Personal Safety

1. **Stay alert, watch what you are doing and use common sense when operating a power tool. Do not use a power tool while you are tired or under the influence of drugs, alcohol or medication.** A moment of inattention while operating power tools may result in serious personal injury.
2. **Use personal protective equipment. Always wear eye protection.** Protective equipment such as a dust mask, non-skid safety shoes, hard hat or hearing protection used for appropriate conditions will reduce personal injuries.
3. **Prevent unintentional starting. Ensure the switch is in the off-position before connecting to power source and/or battery pack, picking up or carrying the tool.** Carrying power tools with your finger on the switch or energising power tools that have the switch on invites accidents.
4. **Remove any adjusting key or wrench before turning the power tool on.** A wrench or a key left attached to a rotating part of the power tool may result in personal injury.
5. **Do not overreach. Keep proper footing and balance at all times.** This enables better control of the power tool in unexpected situations.
6. **Dress properly. Do not wear loose clothing or jewellery. Keep your hair, clothing, and gloves away from moving parts.** Loose clothes, jewellery or long hair can be caught in moving parts.
7. **If devices are provided for the connection of dust extraction and collection facilities, ensure these are connected and properly used.** Use of dust collection can reduce dust-related hazards.

## Power tool use and care

1. **Do not force the power tool. Use the correct power tool for your application.** The correct power tool will do the job better and safer at the rate for which it was designed.
2. **Do not use the power tool if the switch does not turn it on and off.** Any power tool that cannot be controlled with the switch is dangerous and must be repaired.
3. **Disconnect the plug from the power source and/or the battery pack from the power tool before making any adjustments, changing accessories, or storing power tools.** Such preventive safety measures reduce the risk of starting the power tool accidentally.
4. **Store idle power tools out of the reach of children and do not allow persons unfamiliar with the power tool or these instructions to operate the power tool.** Power tools are dangerous in the hands of untrained users.
5. **Maintain power tools. Check for misalignment or binding of moving parts, breakage of parts and any other condition that may affect the power tool's operation. If damaged, have the power tool repaired before use.** Many accidents are caused by poorly maintained power tools.
6. **Keep cutting tools sharp and clean.** Properly maintained cutting tools with sharp cutting edges are less likely to bind and are easier to control.
7. **Use the power tool, accessories and tool bits etc. in accordance with these instructions, taking into account the working conditions and the work to be performed.** Use of the power tool for operations different from those intended could result in a hazardous situation.

## Battery tool use and care

1. **Recharge only with the charger specified by the manufacturer.** A charger that is suitable for one type of battery pack may create a risk of fire when used with another battery pack.
2. **Use power tools only with specifically designated battery packs.** Use of any other battery packs may create a risk of injury and fire.
3. **When battery pack is not in use, keep it away from other metal objects, like paper clips, coins, keys, nails, screws or other small metal objects, that can make a connection from one terminal to another.** Shorting the battery terminals together may cause burns or a fire.
4. **Under abusive conditions, liquid may be ejected from the battery; avoid contact. If contact accidentally occurs, flush with water. If liquid contacts eyes, additionally seek medical help.** Liquid ejected from the battery may cause irritation or burns.
5. **Do not use a battery pack or tool that is damaged or modified.** Damaged or modified batteries may exhibit unpredictable behaviour resulting in fire, explosion or risk of injury.
6. **Do not expose a battery pack or tool to fire or excessive temperature.** Exposure to fire or temperature above 130 °C may cause explosion.

7. **Follow all charging instructions and do not charge the battery pack or tool outside the temperature range specified in the instructions.** Charging improperly or at temperatures outside the specified range may damage the battery and increase the risk of fire.

## Service

1. **Have your power tool serviced by a qualified repair person using only identical replacement parts.** This will ensure that the safety of the power tool is maintained.
2. **Follow instruction for lubricating and changing accessories.**
3. **Keep handles dry, clean and free from oil and grease.**

## Cordless impact driver safety warnings




1. **Hold the power tool by insulated gripping surfaces, when performing an operation where the fastener may contact hidden wiring.** Fasteners contacting a "live" wire may make exposed metal parts of the power tool "live" and could give the operator an electric shock.
2. **Always be sure you have a firm footing. Be sure no one is below when using the tool in high locations.**
3. **Hold the tool firmly.**
4. **Wear ear protectors.**
5. **Do not touch the bit or the workpiece immediately after operation. They may be extremely hot and could burn your skin.**
6. **Keep hands away from rotating parts.**

## SAVE THESE INSTRUCTIONS.

**⚠WARNING: DO NOT** let comfort or familiarity with product (gained from repeated use) replace strict adherence to safety rules for the subject product.  
**MISUSE** or failure to follow the safety rules stated in this instruction manual may cause serious personal injury.

## Symbols

The followings show the symbols used for tool.

	volts
	direct current
$n_0$	no load speed
$\dots / \text{min}$ $r / \text{min}$	revolutions or reciprocation per minute
	number of blow

## Important safety instructions for battery cartridge

1. Before using battery cartridge, read all instructions and cautionary markings on (1) battery charger, (2) battery, and (3) product using battery.
2. Do not disassemble battery cartridge.
3. If operating time has become excessively shorter, stop operating immediately. It may result in a risk of overheating, possible burns and even an explosion.
4. If electrolyte gets into your eyes, rinse them out with clear water and seek medical attention right away. It may result in loss of your eyesight.
5. Do not short the battery cartridge:
  - (1) Do not touch the terminals with any conductive material.
  - (2) Avoid storing battery cartridge in a container with other metal objects such as nails, coins, etc.
  - (3) Do not expose battery cartridge to water or rain.
6. Do not store the tool and battery cartridge in locations where the temperature may reach or exceed 50 °C (122 °F).
7. Do not incinerate the battery cartridge even if it is severely damaged or is completely worn out. The battery cartridge can explode in a fire.
8. Be careful not to drop or strike battery.
9. Do not use a damaged battery.
10. The contained lithium-ion batteries are subject to the Dangerous Goods Legislation requirements.

For commercial transports e.g. by third parties, forwarding agents, special requirement on packaging and labeling must be observed.

For preparation of the item being shipped, consulting an expert for hazardous material is required. Please also observe possibly more detailed national regulations.

Tape or mask off open contacts and pack up the battery in such a manner that it cannot move around in the packaging.

11. Follow your local regulations relating to disposal of battery.
12. Use the batteries only with the products specified by Makita. Installing the batteries to non-compliant products may result in a fire, excessive heat, explosion, or leak of electrolyte.

## SAVE THESE INSTRUCTIONS.

**CAUTION:** Only use genuine Makita batteries. Use of non-genuine Makita batteries, or batteries that have been altered, may result in the battery bursting causing fires, personal injury and damage. It will also void the Makita warranty for the Makita tool and charger.

## Tips for maintaining maximum battery life

1. Charge the battery cartridge before completely discharged. Always stop tool operation and charge the battery cartridge when you notice less tool power.
2. Never recharge a fully charged battery cartridge. Overcharging shortens the battery service life.
3. Charge the battery cartridge with room temperature at 10 °C - 40 °C (50 °F - 104 °F). Let a hot battery cartridge cool down before charging it.

## FUNCTIONAL DESCRIPTION

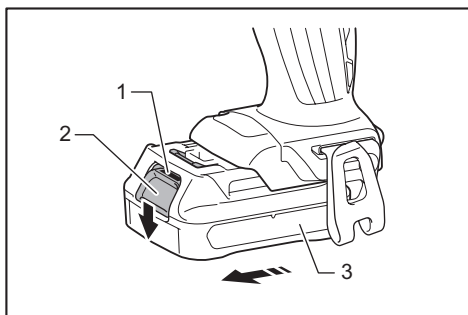
**CAUTION:** Always be sure that the tool is switched off and the battery cartridge is removed before adjusting or checking function on the tool.

## Installing or removing battery cartridge

**CAUTION:** Always switch off the tool before installing or removing of the battery cartridge.

**CAUTION:** Hold the tool and the battery cartridge firmly when installing or removing battery cartridge.

Failure to hold the tool and the battery cartridge firmly may cause them to slip off your hands and result in damage to the tool and battery cartridge and a personal injury.



► 1. Red indicator 2. Button 3. Battery cartridge

To remove the battery cartridge, slide it from the tool while sliding the button on the front of the cartridge.

To install the battery cartridge, align the tongue on the battery cartridge with the groove in the housing and slip it into place. Insert it all the way until it locks in place with a little click. If you can see the red indicator on the upper side of the button, it is not locked completely.

**CAUTION:** Always install the battery cartridge fully until the red indicator cannot be seen. If not, it may accidentally fall out of the tool, causing injury to you or someone around you.

**CAUTION:** Do not install the battery cartridge forcibly. If the cartridge does not slide in easily, it is not being inserted correctly.

## Battery protection system

The tool is equipped with a battery protection system. This system automatically cuts off power to the motor to extend battery life.

The tool will automatically stop during operation if the tool and/or battery are placed under one of the following conditions:

### Overloaded:

The tool is operated in a manner that causes it to draw an abnormally high current.

In this situation, turn the tool off and stop the application that caused the tool to become overloaded. Then turn the tool on to restart.

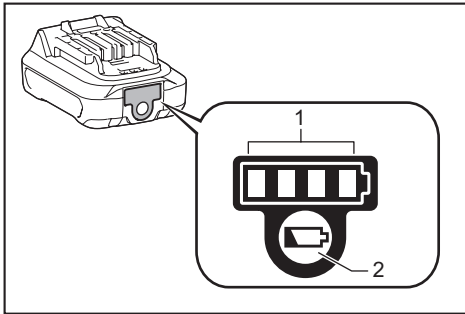
If the tool does not start, the battery is overheated. In this situation, let the battery cool before turning the tool on again.

### Low battery voltage:

The remaining battery capacity is too low and the tool will not operate. If you turn the tool on, the motor runs again but stops soon. In this situation, remove and recharge the battery.

## Indicating the remaining battery capacity

Only for battery cartridges with the indicator



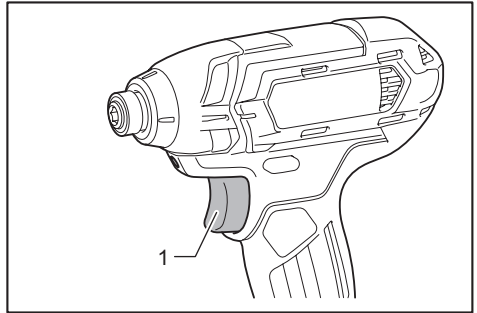
► 1. Indicator lamps 2. Check button

Press the check button on the battery cartridge to indicate the remaining battery capacity. The indicator lamps light up for a few seconds.

Indicator lamps		Remaining capacity
Lighted	Off	
■ ■ ■ ■	□ □ □ □	75% to 100%
■ ■ ■ □	□ □ □ □	50% to 75%
■ ■ □ □	□ □ □ □	25% to 50%
■ □ □ □	□ □ □ □	0% to 25%

**NOTE:** Depending on the conditions of use and the ambient temperature, the indication may differ slightly from the actual capacity.

## Switch action



► 1. Switch trigger

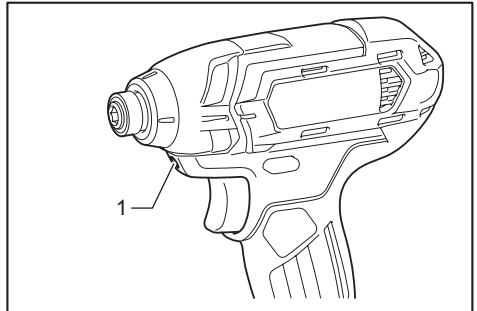
**CAUTION:** Before installing the battery cartridge into the tool, always check to see that the switch trigger actuates properly and returns to the "OFF" position when released.

To start the tool, simply pull the switch trigger. Tool speed is increased by increasing pressure on the switch trigger. Release the switch trigger to stop.

## Electric brake

This tool is equipped with an electric brake. If the tool consistently fails to quickly stop after the switch trigger is released, have the tool serviced at a Makita service center.

## Lighting up the front lamp



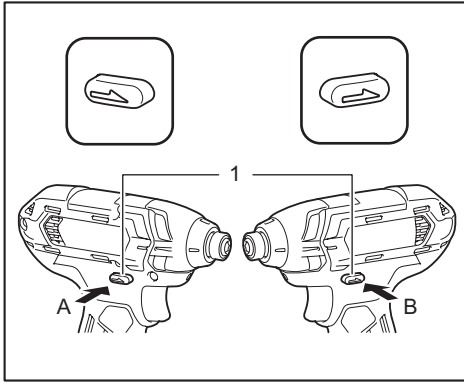
► 1. Lamp

**CAUTION:** Do not look in the light or see the source of light directly.

Pull the switch trigger to light up the lamp. The lamp keeps on lighting while the switch trigger is being pulled. The lamp goes out approximately 10 seconds after releasing the switch trigger.

**NOTE:** Use a dry cloth to wipe the dirt off the lens of the lamp. Be careful not to scratch the lens of lamp, or it may lower the illumination.

## Reversing switch action



► 1. Reversing switch lever

**CAUTION:** Always check the direction of rotation before operation.

**CAUTION:** Use the reversing switch only after the tool comes to a complete stop. Changing the direction of rotation before the tool stops may damage the tool.

**CAUTION:** When not operating the tool, always set the reversing switch lever to the neutral position.

This tool has a reversing switch to change the direction of rotation. Depress the reversing switch lever from the A side for clockwise rotation or from the B side for counterclockwise rotation.

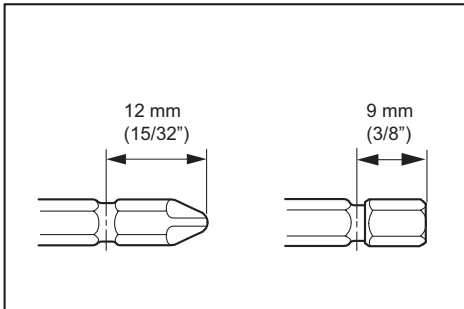
When the reversing switch lever is in the neutral position, the switch trigger cannot be pulled.

## ASSEMBLY

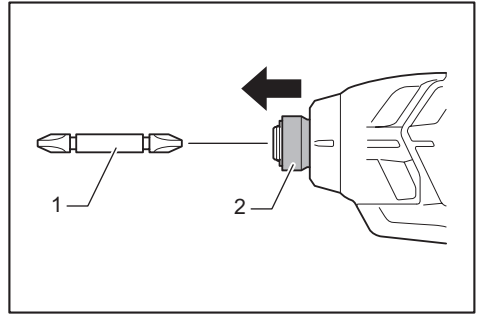
**CAUTION:** Always be sure that the tool is switched off and the battery cartridge is removed before carrying out any work on the tool.

### Installing or removing driver bit/ socket bit

#### Optional accessory



Use only the driver bit/socket bit shown in the figure. Do not use any other driver bit/socket bit.



► 1. Driver bit 2. Sleeve

To install the driver bit, pull the sleeve in the direction of the arrow and insert the driver bit into the sleeve as far as it will go.

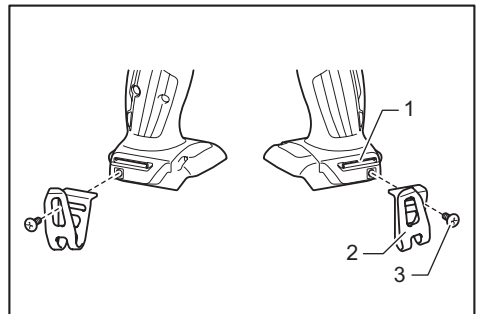
Then release the sleeve to secure the driver bit.

To remove the driver bit, pull the sleeve in the direction of the arrow and pull the driver bit out.

**NOTE:** If the driver bit is not inserted deep enough into the sleeve, the sleeve will not return to its original position and the driver bit will not be secured. In this case, try re-inserting the bit according to the instructions above.

**NOTE:** After inserting the driver bit, make sure that it is firmly secured. If it comes out, do not use it.

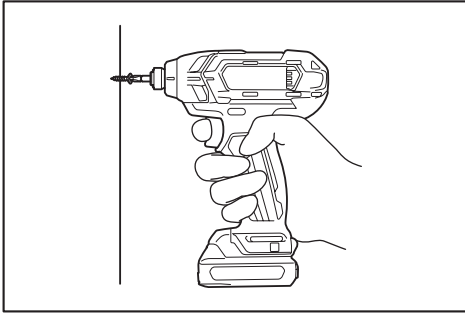
### Installing hook



► 1. Groove 2. Hook 3. Screw

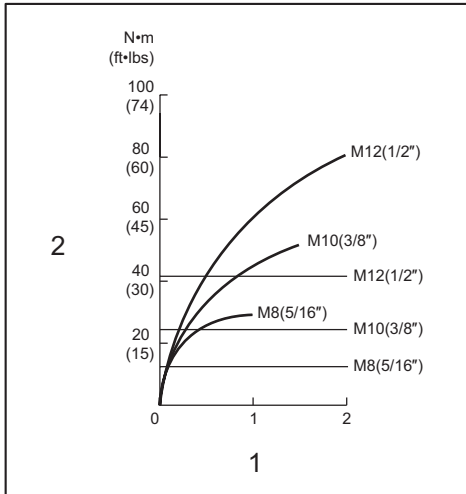
The hook is convenient for temporarily hanging the tool. This can be installed on either side of the tool. To install the hook, insert it into a groove in the tool housing on either side and then secure it with a screw. To remove, loosen the screw and then take it out.

# OPERATION



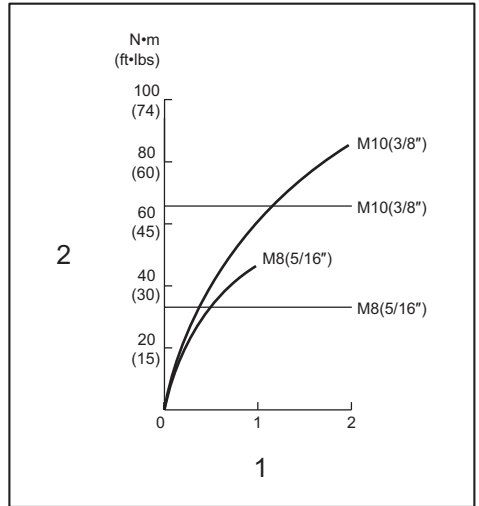
The proper fastening torque may differ depending upon the kind or size of the screw/bolt, the material of the workpiece to be fastened, etc. The relation between fastening torque and fastening time is shown in the figures.

## Proper fastening torque for standard bolt



► 1. Fastening time (second) 2. Fastening torque

## Proper fastening torque for high tensile bolt



► 1. Fastening time (second) 2. Fastening torque

Hold the tool firmly and place the point of the driver bit in the screw head. Apply forward pressure to the tool to the extent that the bit will not slip off the screw and turn the tool on to start operation.

**NOTE:** Use the proper bit for the head of the screw/bolt that you wish to use.

**NOTE:** When fastening M8 or smaller screw, carefully adjust pressure on the switch trigger so that the screw is not damaged.

**NOTE:** Hold the tool pointed straight at the screw.

**NOTE:** If the impact force is too strong or you tighten the screw for a time longer than shown in the figures, the screw or the point of the driver bit may be overstressed, stripped, damaged, etc. Before starting your job, always perform a test operation to determine the proper fastening time for your screw.

The fastening torque is affected by a wide variety of factors including the following. After fastening, always check the torque with a torque wrench.

- When the battery cartridge is discharged almost completely, voltage will drop and the fastening torque will be reduced.
- Driver bit or socket bit  
Failure to use the correct size driver bit or socket bit will cause a reduction in the fastening torque.
- Bolt
  - Even though the torque coefficient and the class of bolt are the same, the proper fastening torque will differ according to the diameter of bolt.
  - Even though the diameters of bolts are the same, the proper fastening torque will differ according to the torque coefficient, the class of bolt and the bolt length.
- The manner of holding the tool or the material of driving position to be fastened will affect the torque.
- Operating the tool at low speed will cause a reduction in the fastening torque.

## Using holster

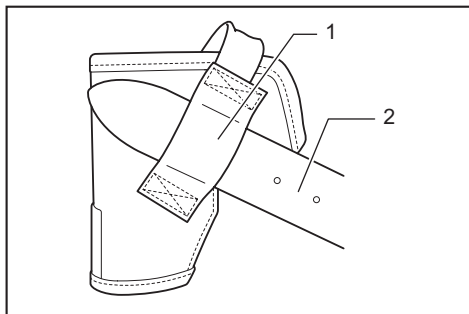
### Optional accessory

**CAUTION:** When using the holster, remove a driver bit/drill bit from the tool.

**CAUTION:** Turn off the tool and wait until it comes to a complete stop before placing it in the holster.

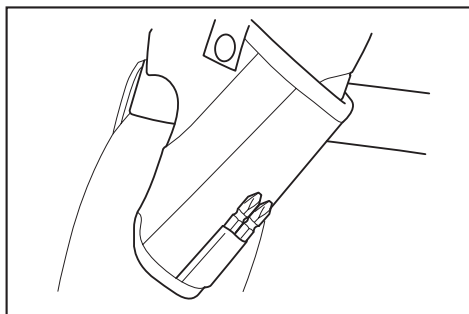
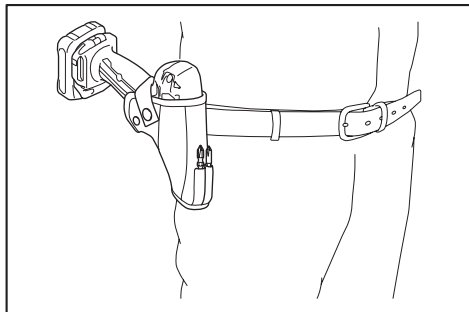
Be sure to close the holster securely with the holster button so that it holds the tool firmly.

1. Thread a waist belt or similar through holster holder.



► 1. Holster holder 2. Waist belt

2. Put the tool in the holster and lock it with the holster button.



You can keep two driver bits at the front of the holster.

## MAINTENANCE

**CAUTION:** Always be sure that the tool is switched off and the battery cartridge is removed before attempting to perform inspection or maintenance.

**NOTICE:** Never use gasoline, benzine, thinner, alcohol or the like. Discoloration, deformation or cracks may result.

To maintain product SAFETY and RELIABILITY, repairs, any other maintenance or adjustment should be performed by Makita Authorized or Factory Service Centers, always using Makita replacement parts.

## OPTIONAL ACCESSORIES

**CAUTION:** These accessories or attachments are recommended for use with your Makita tool specified in this manual. The use of any other accessories or attachments might present a risk of injury to persons. Only use accessory or attachment for its stated purpose.

If you need any assistance for more details regarding these accessories, ask your local Makita Service Center.

- Driver bits
- Socket bits
- Bit piece
- Holster
- Hook
- Plastic carrying case
- Makita genuine battery and charger

**NOTE:** Some items in the list may be included in the tool package as standard accessories. They may differ from country to country.

## MAKITA LIMITED WARRANTY

Please refer to the annexed warranty sheet for the most current warranty terms applicable to this product. If annexed warranty sheet is not available, refer to the warranty details set forth at below website for your respective country.

United States of America: [www.makitatools.com](http://www.makitatools.com)

Canada: [www.makita.ca](http://www.makita.ca)

Other countries: [www.makita.com](http://www.makita.com)



# SPÉCIFICATIONS

Modèle :		TD110D
Capacités de serrage	Vis de mécanique	4 mm - 8 mm (5/32" - 5/16")
	Boulon standard	5 mm - 12 mm (3/16" - 1/2")
	Boulon à haute résistance	5 mm - 10 mm (3/16" - 3/8")
Vitesse à vide (T/MIN)		0 - 2 600 /min
Percussions par minute		0 - 3 500 /min
Longueur totale		153 mm (6")
Tension nominale		C.C. 10,8 V - 12 V max.
Batterie standard		BL1016, BL1021B      BL1041B
Poids net		1,0 kg (2,3 lbs)      1,2 kg (2,6 lbs)

- Étant donné l'évolution constante de notre programme de recherche et développement, les spécifications contenues dans ce manuel sont sujettes à modification sans préavis.
- Les spécifications et la batterie peuvent varier suivant les pays.
- Poids, batterie comprise, conforme à la procédure EPTA 01/2003

## Consignes de sécurité générales pour outils électriques

**⚠ MISE EN GARDE :** Lisez toutes les consignes de sécurité et toutes les instructions. L'ignorance des mises en garde et des instructions comporte un risque de choc électrique, d'incendie et/ou de blessure grave.

## Conservez toutes les mises en garde et instructions pour référence future.

Le terme « outil électrique » qui figure dans les avertissements fait référence à un outil électrique branché sur une prise de courant (par un cordon d'alimentation) ou alimenté par batterie (sans fil).

### Sécurité de la zone de travail

1. **Maintenez la zone de travail propre et bien éclairée.** Les zones de travail encombrées ou sombres ouvrent grande la porte aux accidents.
2. **N'utilisez pas les outils électriques dans les atmosphères explosives, par exemple en présence de liquides, gaz ou poussières inflammables.** Les outils électriques produisent des étincelles au contact desquelles la poussière ou les vapeurs peuvent s'enflammer.
3. **Assurez-vous qu'aucun enfant ou curieux ne s'approche pendant que vous utilisez un outil électrique.** Vous risquez de perdre la maîtrise de l'outil si votre attention est détournée.

### Sécurité en matière d'électricité

1. **Les fiches d'outil électrique sont conçues pour s'adapter parfaitement aux prises de courant. Ne modifiez jamais la fiche de quelque façon que ce soit. N'utilisez aucun adaptateur de fiche sur les outils électriques avec mise à la terre.** En ne modifiant pas les fiches et en les insérant dans des prises de courant pour lesquelles elles ont été conçues, vous réduirez les risques de choc électrique.

2. **Évitez tout contact corporel avec les surfaces mises à la terre, telles que tuyaux, radiateurs, cuisinières et réfrigérateurs.** Le risque de choc électrique est plus élevé si votre corps se trouve mis à la terre.
3. **N'exposez pas les outils électriques à la pluie ou à l'eau.** La présence d'eau dans un outil électrique augmente le risque de choc électrique.
4. **Ne maltraitez pas le cordon. N'utilisez jamais le cordon pour transporter, tirer ou débrancher l'outil électrique. Maintenez le cordon à l'écart des sources de chaleur, de l'huile, des objets à bords tranchants et des pièces en mouvement.** Le risque de choc électrique est plus élevé lorsque les cordons sont endommagés ou enchevêtrés.
5. **Lorsque vous utilisez un outil électrique à l'extérieur, utilisez un cordon prolongateur conçu pour l'usage extérieur.** Les risques de choc électrique sont moindres lorsqu'un cordon conçu pour l'usage extérieur est utilisé.
6. **Si vous devez utiliser un outil électrique dans un endroit humide, utilisez une source d'alimentation protégée par un disjoncteur de fuite à la terre.** L'utilisation d'un disjoncteur de fuite à la terre réduit le risque de choc électrique.

### Sécurité personnelle

1. **Restez alerte, attentif à vos mouvements et faites preuve de bon sens lorsque vous utilisez un outil électrique. N'utilisez pas les outils électriques si vous êtes fatigué ou avez pris une drogue, de l'alcool ou un médicament.** Un moment d'inattention pendant l'utilisation d'un outil électrique peut entraîner une grave blessure.
2. **Portez des dispositifs de protection personnelle. Portez toujours une protection oculaire.** Les risques de blessure seront moins élevés si vous utilisez des dispositifs de protection tels qu'un masque anti-poussière, des chaussures à semelle antidérapante, une coiffure résistante ou une protection d'oreilles.

3. **Évitez les démarrages accidentels. Assurez-vous que l'interrupteur est en position d'arrêt avant de brancher l'outil à la prise de courant et/ou au bloc-piles, et avant de prendre ou de transporter l'outil.** Vous ouvrez la porte aux accidents si vous transportez les outils électriques avec le doigt sur l'interrupteur ou si vous les branchez alors que l'interrupteur est en position de marche.
4. **Retirez toute clé de réglage ou de serrage avant de mettre l'outil électrique sous tension.** Toute clé laissée en place sur une pièce rotative de l'outil électrique peut entraîner une blessure.
5. **Ne vous étirez pas exagérément. Assurez-vous d'une bonne prise au sol et d'un bon équilibre en tout temps.** Cela vous permettra d'avoir une meilleure maîtrise de l'outil électrique dans les situations imprévues.
6. **Portez des vêtements adéquats. Ne portez ni vêtements amples ni bijoux. Vous devez maintenir cheveux, vêtements et gants à l'écart des pièces en mouvement.** Les pièces en mouvement peuvent happer les vêtements amples, les bijoux et les cheveux longs.
7. **Si des accessoires sont fournis pour raccorder un appareil d'aspiration et de collecte de la poussière, assurez-vous qu'ils sont correctement raccordés et qu'ils sont utilisés de manière adéquate.** L'utilisation d'un appareil de collecte permet de réduire les risques liés à la présence de poussière dans l'air.
6. **Maintenez les outils tranchants bien aiguisés et propres.** Un outil tranchant dont l'entretien est effectué correctement et dont les bords sont bien aiguisés risquera moins de se coincer et sera plus facile à maîtriser.
7. **Utilisez l'outil électrique, ses accessoires, ses embouts, etc., en respectant les présentes instructions, en tenant compte des conditions de travail et du type de travail à effectuer.** L'utilisation d'un outil électrique pour d'autres usages que ceux prévus peut entraîner une situation dangereuse.

#### Utilisation et entretien des outils alimentés par batterie

#### Utilisation et entretien des outils électriques

1. **Ne forcez pas l'outil électrique. Utilisez l'outil électrique adéquat suivant le type de travail à effectuer.** Si vous utilisez l'outil électrique adéquat et respectez le régime pour lequel il a été conçu, il effectuera un travail de meilleure qualité et plus sécuritaire.
2. **N'utilisez pas l'outil électrique s'il n'est pas possible de l'allumer et de l'éteindre avec son interrupteur.** Un outil électrique dont l'interrupteur est défectueux représente un danger et doit être réparé.
3. **Débranchez la fiche de la source d'alimentation et/ou retirez le bloc-piles de l'outil électrique avant d'effectuer tout réglage, de remplacer un accessoire ou de ranger l'outil électrique.** De telles mesures préventives réduisent les risques de démarrage accidentel de l'outil électrique.
4. **Après l'utilisation d'un outil électrique, rangez-le hors de portée des enfants et ne laissez aucune personne l'utiliser si elle n'est pas familiarisée avec l'outil électrique ou les présentes instructions d'utilisation.** Les outils électriques représentent un danger entre les mains de personnes qui n'en connaissent pas le mode d'utilisation.
5. **Veillez à l'entretien des outils électriques. Assurez-vous que les pièces mobiles ne sont pas désalignées ou coincées, qu'aucune pièce n'est cassée et que l'outil électrique n'a subi aucun dommage affectant son bon fonctionnement. Le cas échéant, faites réparer l'outil électrique avant de l'utiliser.** De nombreux accidents sont causés par des outils électriques mal entretenus.
1. **Pour recharger, utilisez uniquement le chargeur spécifié par le fabricant.** L'utilisation d'un chargeur conçu pour un type donné de bloc-piles comporte un risque d'incendie lorsqu'il est utilisé avec un autre type de bloc-piles.
2. **N'utilisez un outil électrique qu'avec le bloc-piles conçu spécifiquement pour cet outil.** Il y a un risque de blessure ou d'incendie si un autre bloc-piles est utilisé.
3. **Lorsque vous n'utilisez pas le bloc-piles, rangez-le à l'écart des objets métalliques tels que trombones, pièces de monnaie, clés, clous, vis ou autres petits objets métalliques qui risqueraient d'établir une connexion entre les bornes.** La mise en court-circuit des bornes de batterie peut causer des brûlures ou un incendie.
4. **Dans des conditions d'utilisation inadéquates de la batterie, il peut y avoir fuite d'électrolyte; évitez tout contact avec ce liquide. En cas de contact accidentel, rincez avec beaucoup d'eau. Si le liquide pénètre dans vos yeux, il faut aussi consulter un médecin.** L'électrolyte qui s'échappe de la batterie peut causer des irritations ou des brûlures.
5. **N'utilisez pas une batterie ou un outil s'il est endommagé ou modifié.** Les batteries endommagées ou modifiées peuvent avoir un comportement imprévisible dont peut résulter un incendie, une explosion ou un risque de blessure.
6. **N'exposez pas une batterie ou un outil au feu ou à une température excessive.** L'exposition au feu ou à une température supérieure à 130 °C peut entraîner une explosion.
7. **Suivez toutes les instructions de charge et ne chargez pas la batterie ou l'outil à l'extérieur de la plage de température spécifiée dans les instructions.** Charger de manière inadéquate ou à des températures hors de la plage spécifiée peut endommager la batterie et augmenter le risque d'incendie.

#### Réparation

1. **Faites réparer votre outil électrique par un réparateur qualifié qui utilise des pièces de rechange identiques aux pièces d'origine.** Le maintien de la sûreté de l'outil électrique sera ainsi assuré.
2. **Suivez les instructions de lubrification et de remplacement des accessoires.**
3. **Maintenez les poignées de l'outil sèches, propres et exemptes d'huile ou de graisse.**

## Consignes de sécurité pour le tournevis à chocs sans fil

1. Tenez l'outil par ses surfaces de prise isolées pendant toute opération où l'accessoire de fixation pourrait venir en contact avec un câblage dissimulé. En cas de contact avec un conducteur sous tension, les pièces métalliques à découvert de l'outil peuvent devenir sous tension et transmettre un choc électrique à l'utilisateur.
2. Pensez toujours à prendre pied solidement. Assurez-vous qu'il n'y a personne plus bas lorsque vous utilisez l'outil en position élevée.
3. Tenez l'outil fermement.
4. Portez une protection d'oreilles.
5. Ne touchez ni l'embout, ni la pièce à travailler immédiatement après l'utilisation. Ils peuvent être extrêmement chauds et vous brûler la peau.
6. Gardez les mains éloignées des pièces en rotation.




## CONSERVEZ CES INSTRUCTIONS.

**⚠ MISE EN GARDE** : NE vous laissez PAS tromper (au fil d'une utilisation répétée) par un sentiment d'aisance ou de familiarité avec le produit en négligeant les consignes de sécurité qui accompagnent le produit.

UNE UTILISATION INCORRECTE ou le non-respect des règles de sécurité énoncées dans le présent manuel d'instructions peut provoquer des blessures graves.

## Symboles

Les symboles utilisés pour l'outil sont indiqués ci-dessous.

	volts
	courant continu
$n_s$	vitesse à vide
$\dots / \text{min}$ $r / \text{min}$	tours ou alternances par minute
	nombre de frappes

## Consignes de sécurité importantes pour la batterie

1. Avant d'utiliser la batterie, lisez toutes les instructions et les mises en garde apposées sur (1) le chargeur de batterie, (2) la batterie et (3) le produit utilisant la batterie.
2. Ne démontez pas la batterie.
3. Cessez immédiatement l'utilisation si le temps de fonctionnement devient excessivement court. Il y a risque de surchauffe, de brûlures, voire d'explosion.
4. Si l'électrolyte pénètre dans vos yeux, rincez-les à l'eau claire et consultez immédiatement un médecin. Il y a risque de perte de la vue.

5. Ne court-circuitez pas la batterie :
  - (1) Ne touchez les bornes avec aucun matériau conducteur.
  - (2) Évitez de ranger la batterie dans un conteneur avec d'autres objets métalliques tels que clous, pièces de monnaie, etc.
  - (3) Évitez d'exposer la batterie à l'eau ou à la pluie.

Un court-circuit de la batterie pourrait provoquer un fort courant, une surchauffe, parfois des brûlures et même une panne.
6. Ne rangez pas l'outil ou la batterie dans des emplacements où la température peut atteindre ou dépasser 50 °C (122 °F).
7. Ne jetez pas la batterie au feu même si elle est sérieusement endommagée ou complètement épuisée. La batterie peut exploser au contact du feu.
8. Prenez garde d'échapper ou de heurter la batterie.
9. N'utilisez pas une batterie si elle est endommagée.
10. Les batteries lithium-ion fournies sont soumises aux exigences de la législation sur les marchandises dangereuses.

Des exigences particulières sur l'emballage et l'étiquetage doivent être respectées lors du transport commercial par des tiers, des transitaires, etc. Pour préparer la marchandise à expédier, consultez un expert en matériaux dangereux si nécessaire. Respectez aussi les éventuelles réglementations nationales plus détaillées.

Recouvrez de ruban isolant les contacts exposés, et emballez la batterie de sorte qu'elle ne puisse pas se déplacer à l'intérieur de l'emballage.
11. Suivez la réglementation locale concernant l'élimination de la batterie.
12. N'utilisez les batteries qu'avec les produits spécifiés par Makita. Installer les batteries sur des produits non conformes peut entraîner un incendie, une chaleur excessive, une explosion ou une fuite d'électrolyte.

## CONSERVEZ CES INSTRUCTIONS.

**⚠ ATTENTION** : Utilisez exclusivement les batteries fabriquées par Makita. Les batteries autres que celles fabriquées par Makita ou les batteries modifiées peuvent exploser et causer un incendie, une blessure ou des dommages. Cela annule aussi la garantie Makita de l'outil et du chargeur Makita.

## Conseils pour maintenir la durée de service maximale de la batterie

1. Rechargez la batterie avant qu'elle ne soit complètement déchargée. Arrêtez toujours l'outil et rechargez la batterie quand vous remarquez que la puissance de l'outil diminue.
2. Ne rechargez jamais une batterie complètement chargée. La surcharge réduit la durée de service de la batterie.
3. Chargez la batterie à une température ambiante comprise entre 10 °C et 40 °C (50 °F et 104 °F). Si la batterie est chaude, laissez-la refroidir avant de la charger.

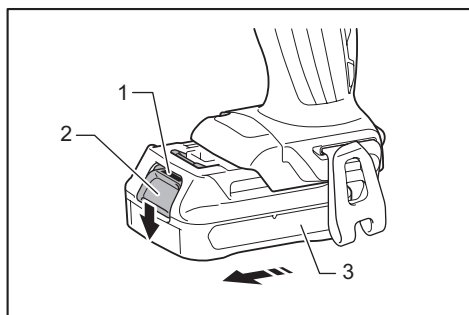
# DESCRIPTION DU FONCTIONNEMENT

**⚠ ATTENTION :** Assurez-vous toujours que l'outil est éteint et que sa batterie est retirée avant de l'ajuster ou de vérifier son fonctionnement.

## Installation ou retrait de la batterie

**⚠ ATTENTION :** Éteignez toujours l'outil avant d'installer ou de retirer la batterie.

**⚠ ATTENTION :** Tenez fermement l'outil et la batterie lors de l'installation ou du retrait de cette dernière. Si l'outil et la batterie ne sont pas tenus fermement, ils risquent de vous glisser des mains et de subir des dommages, ou encore de vous blesser.



► 1. Voyant rouge 2. Bouton 3. Batterie

Pour retirer la batterie, faites-la glisser hors de l'outil tout en glissant le bouton qui se trouve à l'avant.

Pour installer la batterie, alignez sa languette sur la rainure pratiquée dans le boîtier, et glissez la batterie en place. Insérez-la à fond jusqu'à ce que vous entendiez un léger déclic. Si vous pouvez voir le voyant rouge sur le dessus du bouton, la batterie n'est pas complètement verrouillée.

**⚠ ATTENTION :** Installez toujours la batterie à fond jusqu'à ce que vous ne puissiez plus voir le voyant rouge. Autrement elle risque de tomber accidentellement de l'outil et d'entraîner des blessures.

**⚠ ATTENTION :** Ne forcez pas sur la batterie pour l'installer. Si la batterie ne glisse pas facilement, c'est qu'elle n'est pas insérée correctement.

## Dispositif de protection de la batterie

L'outil est équipé d'un système de protection de la batterie. Ce système coupe automatiquement l'alimentation du moteur pour augmenter la durée de vie de la batterie. L'outil s'arrête automatiquement pendant l'utilisation lorsque l'outil et/ou la batterie sont dans l'une des situations suivantes :

### En surcharge :

L'outil est utilisé d'une manière entraînant une consommation anormale de courant.

Dans cette situation, l'outil et arrêtez l'application qui a causé la surcharge de l'outil. Allumez ensuite l'outil pour redémarrer.

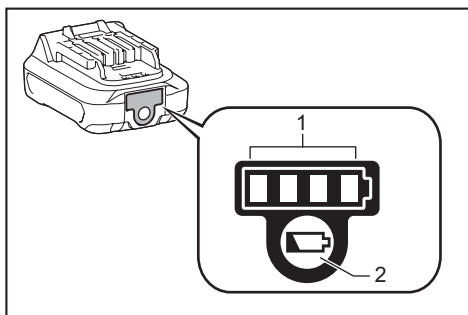
Si l'outil ne démarre pas, c'est que la batterie est surchauffée. Dans cette situation, laissez refroidir la batterie avant de rallumer l'outil.

### Tension de la batterie faible :

La capacité restante de la batterie est trop faible pour que l'outil puisse fonctionner. Si vous allumez l'outil, le moteur tourne de nouveau mais s'arrête aussitôt. Dans cette situation, retirez et rechargez la batterie.

## Affichage de la charge restante de la batterie

### Uniquement pour les batteries avec voyant



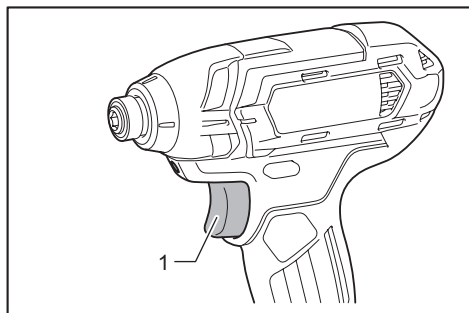
► 1. Témoins indicateurs 2. Bouton de vérification

Appuyez sur le bouton de vérification de la batterie pour afficher la charge restante de la batterie. Les témoins indicateurs s'allument pendant quelques secondes.

Témoins indicateurs		Capacité restante
Allumé	Éteint	
■ ■ ■ ■	□	75 % à 100 %
■ ■ ■ □	□	50 % à 75 %
■ ■ □ □	□	25 % à 50 %
■ □ □ □	□	0 % à 25 %

**NOTE :** Suivant les conditions d'utilisation et la température ambiante, il se peut que l'indication soit légèrement différente de la charge réelle.

## Interrupteur



► 1. Gâchette

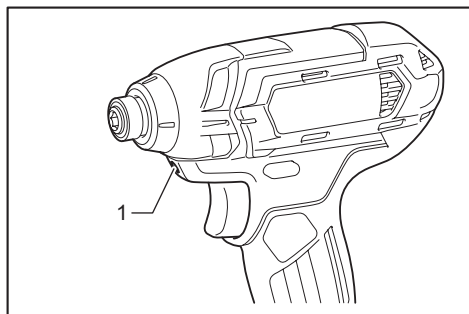
**ATTENTION** : Avant d'insérer la batterie dans l'outil, vérifiez toujours que la gâchette fonctionne bien et revient en position d'arrêt lorsque libérée.

Pour mettre l'outil en marche, appuyez simplement sur la gâchette. La vitesse de l'outil augmente à mesure que l'on accroît la pression exercée sur la gâchette. Pour arrêter l'outil, libérez la gâchette.

## Frein électrique

Cet outil est muni d'un frein électrique. Si la libération du levier de la gâchette ne permet jamais d'arrêter promptement l'outil, faites-le réparer dans un centre de service après-vente Makita.

## Allumage de la lampe avant



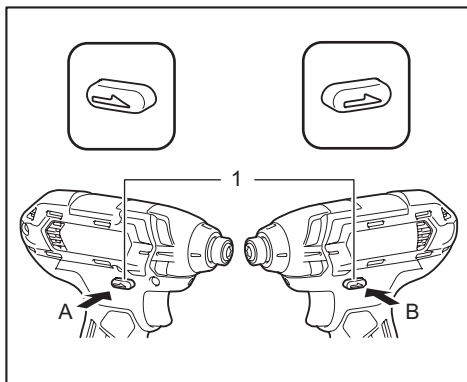
► 1. Lampe

**ATTENTION** : Évitez de regarder directement le faisceau lumineux ou sa source.

Appuyez sur la gâchette pour allumer la lampe. La lampe reste allumée tant que vous appuyez sur la gâchette. La lampe s'éteint environ 10 secondes après avoir relâché la gâchette.

**NOTE** : Utilisez un linge sec pour enlever les poussières sur la lentille de la lampe. Prenez garde de rayer la lentille de la lampe, car cela peut affecter son intensité d'éclairage.

## Fonctionnement de l'inverseur



► 1. Levier inverseur

**ATTENTION** : Vérifiez toujours le sens de rotation avant de mettre l'outil en marche.

**ATTENTION** : N'actionnez l'inverseur qu'une fois l'outil complètement arrêté. Si vous changez le sens de rotation avant l'arrêt de l'outil, vous risquez de l'endommager.

**ATTENTION** : Lorsque vous n'utilisez pas l'outil, placez toujours le levier inverseur en position neutre.

L'outil possède un inverseur qui permet de changer le sens de rotation. Enfoncez le levier inverseur du côté A pour une rotation dans le sens des aiguilles d'une montre, ou du côté B pour une rotation dans le sens contraire des aiguilles d'une montre.

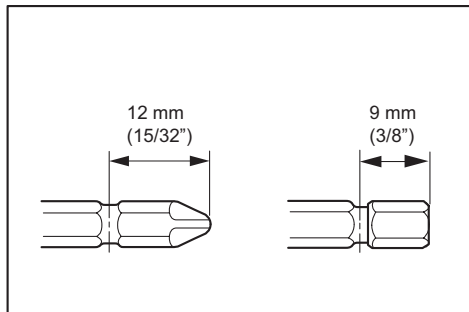
La pression sur la gâchette n'est pas possible lorsque le levier inverseur se trouve en position neutre.

## ASSEMBLAGE

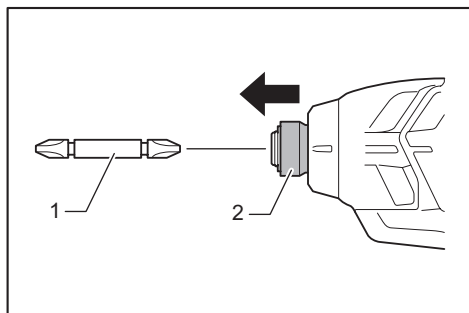
**ATTENTION** : Assurez-vous toujours que l'outil est éteint et que sa batterie est retirée avant d'effectuer tout travail dessus.

## Installation ou retrait de l'embout-tournevis ou de l'embout-douille

### Accessoire en option



Utilisez uniquement l'embout-tournevis ou l'embout-douille indiqué sur la figure. N'utilisez aucun autre embout-tournevis ou embout-douille.



► 1. Embout-tournevis 2. Manchon

Pour installer l'embout-tournevis, tirez le manchon dans le sens de la flèche et insérez l'embout-tournevis à fond dans le manchon.

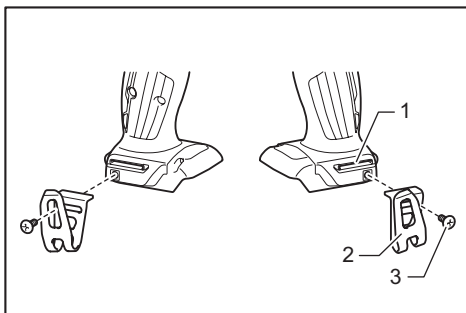
Relâchez ensuite le manchon pour fixer l'embout-tournevis.

Pour retirer l'embout-tournevis, tirez le manchon dans le sens de la flèche et dégagez l'embout-tournevis.

**NOTE :** Si l'embout-tournevis n'est pas inséré assez profondément dans le manchon, celui-ci ne reviendra sur sa position originale et l'embout-tournevis ne sera pas verrouillé. Le cas échéant, réessayez en suivant les instructions ci-dessus pour insérer l'embout.

**NOTE :** Après avoir inséré l'embout-tournevis, assurez-vous qu'il est bien verrouillé. S'il sort du manchon, ne l'utilisez pas.

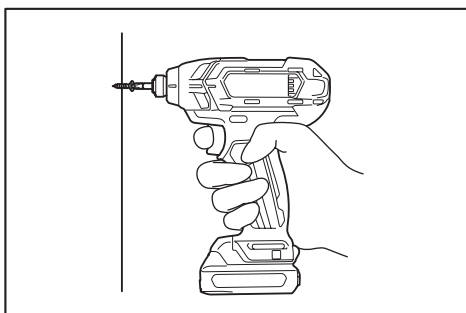
## Installation du crochet



► 1. Rainure 2. Crochet 3. Vis

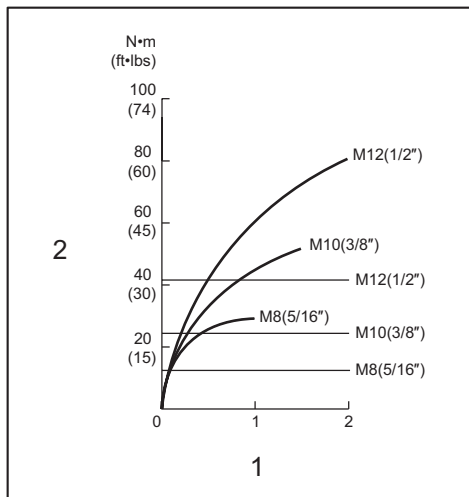
L'outil est équipé d'un crochet pratique qui permet de le suspendre temporairement. Il s'installe d'un côté comme de l'autre de l'outil. Pour installer le crochet, insérez-le dans l'une ou l'autre des rainures situées de chaque côté du boîtier de l'outil, puis serrez-le avec une vis. Pour le retirer, desserrez la vis et enlevez-la.

## UTILISATION



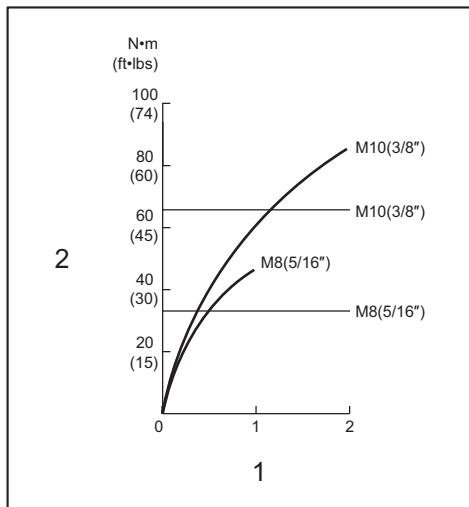
Le couple de serrage adéquat peut varier en fonction du type ou de la dimension de la vis/du boulon, du matériau de la pièce à fixer, etc. Le rapport entre le couple de serrage et le temps de serrage est indiqué sur les figures.

## Couple de serrage adéquat pour boulon standard



► 1. Durée de serrage (secondes) 2. Couple de serrage

## Couple de serrage adéquat pour boulon à haute résistance



► 1. Durée de serrage (secondes) 2. Couple de serrage

Tenez l'outil fermement et placez la pointe de l'embout-tournevis dans la tête de la vis. Appliquez à l'outil une pression vers l'avant suffisante pour que l'embout ne glisse pas hors de la vis, et mettez le contact pour commencer à visser.

**NOTE :** Utilisez l'embout qui convient à la tête de la vis/du boulon utilisé.

**NOTE :** Lorsque vous serrez des vis M8 ou plus petites, ajustez soigneusement la pression sur la gâchette de manière à ne pas endommager la vis.

**NOTE :** Tenez votre outil bien droit sur la vis.

**NOTE :** Si la force de frappe est excessive et que vous serrez la vis plus longtemps qu'indiqué sur les figures, la vis ou la pointe de l'embout-tournevis risque de subir une contrainte excessive, de foirer, d'être endommagée, etc. Avant de commencer votre travail, effectuez toujours un essai pour déterminer la durée de serrage appropriée pour votre vis.

Le couple de serrage dépend d'un certain nombre de facteurs, dont les suivants. Une fois le serrage terminé, vérifiez toujours le couple avec une clé dynamométrique.

1. Lorsque la batterie est presque complètement déchargée, la tension tombe et le couple de serrage diminue.
2. Embout-tournevis ou embout-douille L'utilisation d'un embout-tournevis ou d'un embout-douille de mauvaise dimension entraînera une diminution du couple de serrage.
3. Boulon
  - Même si le coefficient du couple et la catégorie du boulon sont les mêmes, le couple de serrage adéquat variera en fonction du diamètre de boulon.
  - Même si les diamètres des boulons sont les mêmes, le couple de serrage adéquat variera en fonction du coefficient de couple, de la catégorie du boulon et de la longueur du boulon.
4. Le couple de serrage est affecté par la façon dont vous tenez l'outil ou par la position de vissage dans la pièce à visser.
5. L'utilisation de l'outil à vitesse réduite entraîne une diminution du couple de serrage.

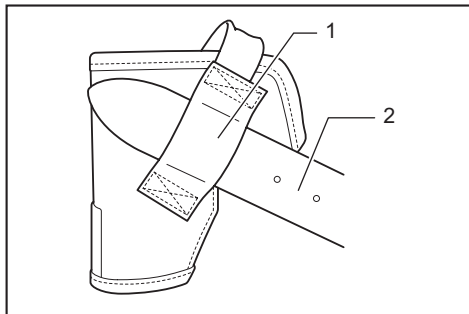
## Utilisation de l'étui

### Accessoire en option

**ATTENTION :** Lorsque vous utilisez l'étui, retirez l'embout-tournevis ou l'embout-mèche de l'outil.

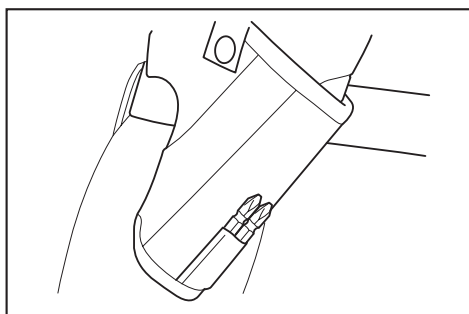
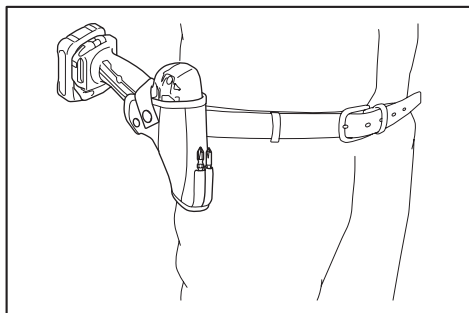
**ATTENTION :** Éteignez l'outil et attendez son arrêt complet avant de le mettre dans l'étui. Pensez à bien fermer l'étui avec son bouton, de sorte qu'il retienne l'outil fermement.

1. Faites passer une ceinture ou autre accessoire similaire à travers le porte-étui.



► 1. Porte-étui 2. Ceinture

2. Mettez l'outil dans l'étui et verrouillez-le avec le bouton d'étui.



Vous pouvez garder deux embouts-tournevis à l'avant de l'étui.

## ENTRETIEN

**ATTENTION** : Assurez-vous toujours que l'outil est hors tension et que la batterie est retirée avant d'y effectuer tout travail d'inspection ou d'entretien.

**AVIS** : N'utilisez jamais d'essence, de benzine, de solvant, d'alcool ou autres produits similaires. Une décoloration, une déformation ou la formation de fissures peuvent en découler.

Pour maintenir la SÉCURITÉ et la FIABILITÉ du produit, les réparations et tout autre travail d'entretien ou de réglage doivent être effectués dans un centre de service après-vente autorisé ou une usine Makita, exclusivement avec des pièces de rechange Makita.

## ACCESSOIRES EN OPTION

**ATTENTION** : Ces accessoires ou pièces complémentaires sont recommandés pour l'utilisation avec l'outil Makita spécifié dans ce manuel. L'utilisation de tout autre accessoire ou pièce complémentaire peut comporter un risque de blessure. N'utilisez les accessoires ou pièces complémentaires qu'aux fins auxquelles ils ont été conçus.

Si vous désirez obtenir plus de détails sur ces accessoires, veuillez contacter le centre de service après-vente Makita le plus près.

- Embouts-tournevis
- Embouts à douille
- Embout
- Étui
- Crochet
- Mallette de transport en plastique
- Chargeur et batterie authentiques Makita

**NOTE** : Certains éléments de la liste peuvent être inclus avec l'outil comme accessoires standards. Ils peuvent varier suivant les pays.

## GARANTIE LIMITÉE MAKITA

Pour les conditions de garantie en vigueur qui s'appliquent à ce produit, veuillez vous reporter à la feuille de garantie en annexe. Si la feuille de garantie en annexe n'est pas disponible, reportez-vous aux détails de la garantie présentés sur le site Web de votre pays, ci-dessous.

États-Unis d'Amérique: [www.makitatools.com](http://www.makitatools.com)

Canada: [www.makita.ca](http://www.makita.ca)

Autres pays: [www.makita.com](http://www.makita.com)



# ESPECIFICACIONES

Modelo:		TD110D
Capacidades de apriete	Tornillo de máquina	4 mm - 8 mm (5/32" - 5/16")
	Tornillo estándar	5 mm - 12 mm (3/16" - 1/2")
	Tornillo de alta resistencia	5 mm - 10 mm (3/16" - 3/8")
Velocidad sin carga (rpm)		0 - 2 600 r/min
Impactos por minuto		0 - 3 500 ipm
Longitud total		153 mm (6")
Tensión nominal		10,8 V c.c. - 12 V (máx.) c.c.
Cartucho de batería estándar		BL1016, BL1021B      BL1041B
Peso neto		1,0 kg (2,3 lbs)      1,2 kg (2,6 lbs)

- Debido a nuestro continuo programa de investigación y desarrollo, las especificaciones aquí incluidas están sujetas a cambio sin previo aviso.
- Las especificaciones y el cartucho de batería pueden variar de país a país.
- Peso de acuerdo al procedimiento de EPTA-01/2003 incluyendo el cartucho de batería

## Advertencias generales de seguridad para herramientas eléctricas

**⚠ ADVERTENCIA:** Lea todas las advertencias de seguridad e instrucciones. El no seguir las advertencias e instrucciones indicadas puede ocasionar una descarga eléctrica, un incendio y/o lesiones graves.

## Conserve todas las advertencias e instrucciones como referencia en el futuro.

En las advertencias, el término "herramienta eléctrica" se refiere a su herramienta eléctrica de funcionamiento con conexión a la red eléctrica (con cableado eléctrico) o herramienta eléctrica de funcionamiento a batería (inalámbrica).

### Seguridad en el área de trabajo

1. **Mantenga el área de trabajo limpia y bien iluminada.** Las áreas oscuras o desordenadas son propensas a accidentes.
2. **No utilice las herramientas eléctricas en atmósferas explosivas, tal como en la presencia de líquidos, gases o polvo inflamables.** Las herramientas eléctricas crean chispas que pueden prender fuego al polvo o los humos.
3. **Mantenga a los niños y curiosos alejados mientras utiliza una herramienta eléctrica.** Las distracciones le pueden hacer perder el control.

### Seguridad eléctrica

1. **Las clavijas de conexión de las herramientas eléctricas deberán encajar perfectamente en la toma de corriente. No modifique nunca la clavija de conexión de ninguna forma. No utilice ninguna clavija adaptadora con herramientas eléctricas que tengan conexión a tierra (puesta**

**a tierra).** La utilización de clavijas no modificadas y que encajen perfectamente en la toma de corriente reducirá el riesgo de que se produzca una descarga eléctrica.

2. **Evite tocar con el cuerpo superficies conectadas a tierra o puestas a tierra tales como tubos, radiadores, cocinas y refrigeradores.** Si su cuerpo es puesto a tierra o conectado a tierra existirá un mayor riesgo de que sufra una descarga eléctrica.
3. **No exponga las herramientas eléctricas a la lluvia ni a condiciones húmedas.** La entrada de agua en una herramienta eléctrica aumentará el riesgo de que se produzca una descarga eléctrica.
4. **No maltrate el cable. Nunca utilice el cable para transportar, jalar o desconectar la herramienta eléctrica. Mantenga el cable alejado del calor, aceite, objetos cortantes o piezas móviles.** Los cables dañados o enredados aumentan el riesgo de sufrir una descarga eléctrica.
5. **Cuando utilice una herramienta eléctrica en exteriores, utilice un cable de extensión apropiado para uso en exteriores.** La utilización de un cable apropiado para uso en exteriores reducirá el riesgo de que se produzca una descarga eléctrica.
6. **Si no es posible evitar usar una herramienta eléctrica en condiciones húmedas, utilice un alimentador protegido con interruptor de circuito de falla a tierra (ICFT).** El uso de un ICFT reduce el riesgo de descarga eléctrica.

### Seguridad personal

1. **Manténgase alerta, preste atención a lo que está haciendo y utilice su sentido común cuando opere una herramienta eléctrica. No utilice una herramienta eléctrica cuando esté cansado o bajo la influencia de drogas, alcohol o medicamentos.** Un momento de distracción mientras opera las herramientas eléctricas puede terminar en una lesión grave.

2. **Use equipo de protección personal. Póngase siempre protección para los ojos.** El equipo protector tal como máscara contra el polvo, zapatos de seguridad antiderrapantes, casco rígido y protección para oídos utilizado en las condiciones apropiadas reducirá el riesgo de lesiones.
3. **Impida el encendido accidental. Asegúrese de que el interruptor esté en la posición de apagado antes de conectar a la alimentación eléctrica y/o de colocar el cartucho de batería, así como al levantar o cargar la herramienta.** Cargar las herramientas eléctricas con su dedo en el interruptor o enchufarlas con el interruptor encendido hace que los accidentes sean comunes.
4. **Retire cualquier llave de ajuste o llave de apriete antes de encender la herramienta.** Una llave de ajuste o llave de apriete que haya sido dejada puesta en una parte giratoria de la herramienta eléctrica puede ocasionar alguna lesión.
5. **No utilice la herramienta donde no alcance.** Mantenga los pies sobre suelo firme y el equilibrio en todo momento. Esto permite un mejor control de la herramienta eléctrica en situaciones inesperadas.
6. **Use vestimenta apropiada. No use ropas sueltas ni joyas.** Mantenga el cabello, la ropa y los guantes alejados de las piezas móviles. Las prendas de vestir holgadas, las joyas y el cabello suelto podrían engancharse en las piezas móviles.
7. **Si dispone de dispositivos para la conexión de equipos de extracción y recolección de polvo, asegúrese de conectarlos y utilizarlos debidamente.** Hacer uso de la recolección de polvo puede reducir los riesgos relacionados con el polvo.
6. **Mantenga las herramientas de corte limpias y filosas.** Si recibe un mantenimiento adecuado y tiene los bordes afilados, es probable que la herramienta se atasque menos y sea más fácil controlarla.
7. **Utilice la herramienta eléctrica, los accesorios y las brocas de acuerdo con estas instrucciones, considerando las condiciones laborales y el trabajo a realizar.** Si utiliza la herramienta eléctrica para realizar operaciones distintas de las indicadas, podrá presentarse una situación peligrosa.

#### Uso y cuidado de la herramienta a batería

1. **Recargue sólo con el cargador especificado por el fabricante.** Un cargador que es adecuado para un solo tipo de batería puede generar riesgo de incendio al ser utilizado con otra batería.
2. **Utilice las herramientas eléctricas solamente con las baterías designadas específicamente para ellas.** La utilización de cualquier otra batería puede crear un riesgo de lesiones o incendio.
3. **Cuando no se esté usando la batería, manténgala alejada de otros objetos metálicos, como sujetapapeles (clips), monedas, llaves, clavos, tornillos u otros objetos pequeños de metal los cuales pueden actuar creando una conexión entre las terminales de la batería.** Originar un cortocircuito en las terminales puede causar quemaduras o incendios.
4. **En condiciones abusivas, podrá escapar líquido de la batería; evite tocarlo. Si lo toca accidentalmente, enjuague con agua. Si hay contacto del líquido con los ojos, busque asistencia médica.** Puede que el líquido expulsado de la batería cause irritación o quemaduras.
5. **No utilice una herramienta ni una batería que estén dañadas o hayan sido modificadas.** Las baterías dañadas o modificadas podrían ocasionar una situación inesperada provocando un incendio, explosión o riesgo de lesiones.
6. **No exponga la herramienta ni la batería al fuego ni a una temperatura excesiva.** La exposición al fuego o a una temperatura superior a los 130 °C podría causar una explosión.
7. **Siga todas las instrucciones para la carga y evite cargar la herramienta o la batería fuera del rango de temperatura especificado en las instrucciones.** Una carga inadecuada o a una temperatura fuera del rango especificado podría dañar la batería e incrementar el riesgo de incendio.

#### Mantenimiento y uso de la herramienta eléctrica

1. **No fuerce la herramienta eléctrica. Utilice la herramienta eléctrica correcta para su aplicación.** La herramienta eléctrica adecuada hará un mejor trabajo y de forma más segura a la velocidad para la que ha sido fabricada.
2. **No utilice la herramienta eléctrica si el interruptor no la enciende y apaga.** Cualquier herramienta eléctrica que no pueda ser controlada con el interruptor es peligrosa y debe ser reemplazada.
3. **Desconecte la clavija de la fuente de energía y/o la batería de la herramienta eléctrica antes de realizar ajustes, cambiar accesorios o guardar las herramientas eléctricas.** Dichas medidas de seguridad preventivas reducen el riesgo de que la herramienta se inicie accidentalmente.
4. **Guarde la herramienta eléctrica que no use fuera del alcance de los niños y no permita que las personas que no están familiarizadas con ella o con las instrucciones la operen.** Las herramientas eléctricas son peligrosas en manos de personas que no saben operarlas.
5. **Realice el mantenimiento a las herramientas eléctricas.** Compruebe que no haya partes móviles desalineadas o estancadas, piezas rotas y cualquier otra condición que pueda afectar al funcionamiento de la herramienta eléctrica. Si la herramienta eléctrica está dañada, haga que se la reparen antes de utilizarla. Muchos accidentes son ocasionados por herramientas eléctricas con mantenimiento inadecuado.

#### Servicio

1. **Haga que una persona calificada repare la herramienta eléctrica utilizando sólo piezas de repuesto idénticas.** Esto asegura que se mantenga la seguridad de la herramienta eléctrica.
2. **Siga las instrucciones para la lubricación y cambio de accesorios.**
3. **Mantenga las agarraderas secas, limpias y sin aceite o grasa.**

## Advertencias de seguridad para el atornillador de impacto inalámbrico

1. Sujete la herramienta eléctrica por las superficies de agarre aisladas al realizar una operación en la que el sujetador pueda entrar en contacto con cables ocultos. Si el sujetador entra en contacto con un cable con corriente, las piezas metálicas expuestas de la herramienta eléctrica se cargarán también de corriente y el operario puede recibir una descarga.
2. Asegúrese siempre de que pisa sobre suelo firme.  
Asegúrese de que no haya nadie debajo cuando utilice la herramienta en lugares altos.
3. Sujete la herramienta con firmeza.
4. Póngase protectores de oídos.
5. No toque la broca o pieza de trabajo inmediatamente después de la operación. Podrían estar extremadamente calientes y provocarle una quemadura.
6. Mantenga las manos alejadas de las piezas giratorias.

## GUARDE ESTAS INSTRUCCIONES.

**⚠ ADVERTENCIA:** NO DEJE que la comodidad o familiaridad con el producto (a base de utilizarlo repetidamente) evite que siga estrictamente las normas de seguridad para dicho producto.

EL USO INCORRECTO o el no seguir las normas de seguridad indicadas en este manual de instrucciones puede ocasionar lesiones graves.

## Símbolos

A continuación se muestran los símbolos utilizados para la herramienta.

	volts o voltios
	corriente directa o continua
$n_0$	velocidad sin carga
$\dots / \text{min}$ $r / \text{min}$	revoluciones o alternaciones por minuto, frecuencia de rotación
	número de percusiones

## Instrucciones importantes de seguridad para el cartucho de batería

1. Antes de utilizar el cartucho de batería, lea todas las instrucciones e indicaciones de precaución en el (1) el cargador de batería, (2) la batería, y (3) el producto con el que se utiliza la batería.
2. No desarme el cartucho de batería.

3. Si el tiempo de operación se ha acortado en exceso, deje de operar de inmediato. Podría correrse el riesgo de sobrecalentamiento, posibles quemaduras e incluso explosión.
4. En caso de que ingresen electrolitos en sus ojos, enjuáguelos bien con agua limpia y consulte de inmediato a un médico. Esto podría ocasionar pérdida de visión.
5. Evite cortocircuitar el cartucho de batería:
  - (1) No toque las terminales con ningún material conductor.
  - (2) Evite guardar el cartucho de batería en un cajón junto con otros objetos metálicos, tales como clavos, monedas, etc.
  - (3) No exponga el cartucho de batería al agua o la lluvia.

Un cortocircuito en la batería puede causar un flujo grande de corriente, sobrecalentamiento, posibles quemaduras e incluso una descompostura.

6. No guarde la herramienta ni el cartucho de batería en lugares donde la temperatura pueda alcanzar o exceder los 50°C (122°F).
7. Nunca incinere el cartucho de batería incluso en el caso de que esté dañado seriamente o ya no sirva en absoluto. El cartucho de batería puede explotar si se tira al fuego.
8. Tenga cuidado de no dejar caer ni golpear la batería.
9. No use una batería dañada.
10. Las baterías de ión de litio están sujetas a los requisitos reglamentarios en materia de bienes peligrosos.

Para el transporte comercial, por ej., mediante terceros o agentes de transporte, se deben tomar en cuenta los requisitos especiales relativos al empaque y el etiquetado.

Para efectuar los preparativos del artículo que se va a enviar, se requiere consultar a un experto en materiales peligrosos. Si es posible, consulte además otras regulaciones nacionales más detalladas.

Pegue o cubra con cinta adhesiva los contactos abiertos y empaque la batería de manera que ésta no pueda moverse dentro del paquete.

11. Siga las regulaciones locales relacionadas al desecho de las baterías.
12. Utilice las baterías únicamente con los productos especificados por Makita. Instalar las baterías en productos que no cumplan con los requisitos podría ocasionar un incendio, un calentamiento excesivo, una explosión o una fuga de electrolito.

## GUARDE ESTAS INSTRUCCIONES.

**⚠ PRECAUCIÓN:** Utilice únicamente baterías originales de Makita. El uso de baterías no originales de Makita, o de baterías alteradas, puede ocasionar que las baterías exploten causando un incendio, lesiones personales y daños. Asimismo, esto invalidará la garantía de Makita para la herramienta y el cargador Makita.

## Consejos para alargar al máximo la vida útil de la batería

1. Cargue el cartucho de batería antes de que se descargue completamente. Pare siempre la operación y cargue el cartucho de batería cuando note menos potencia en la herramienta.
2. No cargue nunca un cartucho de batería que esté completamente cargado. La sobrecarga acortará la vida de servicio de la batería.
3. Cargue el cartucho de batería a una temperatura ambiente de 10 °C - 40 °C (50 °F - 104 °F). Si un cartucho de batería está caliente, déjelo enfriar antes de cargarlo.

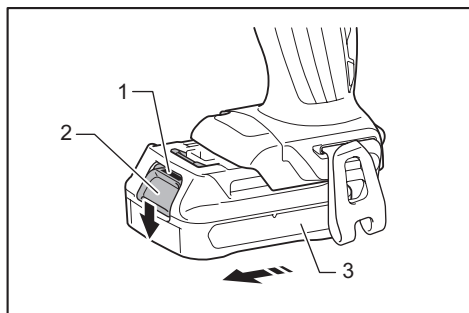
## DESCRIPCIÓN DEL FUNCIONAMIENTO

**⚠PRECAUCIÓN:** Asegúrese siempre de que la herramienta esté apagada y el cartucho de batería haya sido extraído antes de realizar cualquier ajuste o comprobación en la herramienta.

### Instalación o extracción del cartucho de batería

**⚠PRECAUCIÓN:** Apague siempre la herramienta antes de colocar o quitar el cartucho de batería.

**⚠PRECAUCIÓN:** Sujete la herramienta y el cartucho de la batería con firmeza al colocar o quitar el cartucho de batería. Si no se sujeta con firmeza la herramienta y el cartucho de batería, puede ocasionar que se resbalen de sus manos causando daños a la herramienta y al cartucho de batería, así como lesiones a la persona.



► 1. Indicador rojo 2. Botón 3. Cartucho de batería

Para quitar el cartucho de batería, deslícelo de la herramienta mientras desliza el botón sobre la parte delantera del cartucho.

Para colocar el cartucho de batería, alinee la lengüeta sobre el cartucho de batería con la ranura en la carcasa y deslice en su lugar. Inserte por completo hasta que se fije en su lugar con un pequeño clic. Si puede ver el indicador rojo del lado superior del botón, esto indica que no ha quedado fijo por completo.

**⚠PRECAUCIÓN:** Introduzca siempre completamente el cartucho de batería hasta que el indicador rojo no pueda verse. Si no, podría accidentalmente salirse de la herramienta y caer al suelo causando una lesión a usted o alguien a su alrededor.

**⚠PRECAUCIÓN:** No instale el cartucho de batería a la fuerza. Si el cartucho no se desliza al interior fácilmente, se debe a que no está siendo insertado correctamente.

## Sistema de protección de batería

La herramienta está equipada con un sistema de protección de batería. Este sistema corta en forma automática el suministro de energía al motor para prolongar la vida útil de la batería.

La herramienta se detendrá automáticamente durante el funcionamiento si la herramienta y/o la batería se someten a una de las siguientes condiciones:

### Sobrecarga:

La herramienta se está utilizando de una manera que causa que consuma una cantidad de corriente inusualmente alta.

En este caso, apague la herramienta y detenga la aplicación que causó que la herramienta se sobrecargara. Luego encienda la herramienta para reiniciarla.

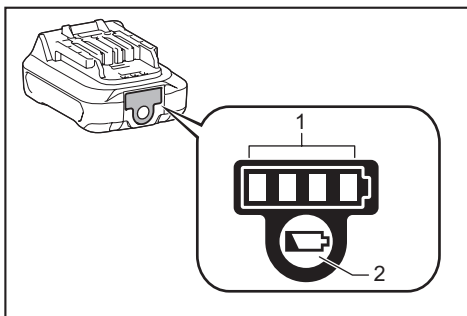
Si la herramienta no arranca, significa que la batería se sobrecalentó. En este caso, espere a que la batería se enfríe antes de volver a encender la herramienta.

### Bajo voltaje de la batería:

La capacidad restante de la batería es demasiado baja y la herramienta no funcionará. Si enciende la herramienta, el motor vuelve a funcionar pero se detiene al poco tiempo. En este caso, extraiga la batería y vuelva a cargarla.

## Indicación de la capacidad restante de la batería

**Únicamente para cartuchos de batería con el indicador**



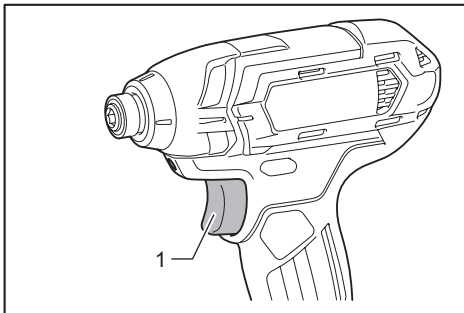
► 1. Luces indicadoras 2. Botón de verificación

Oprima el botón de verificación en el cartucho de la batería para que indique la capacidad restante de la batería. Las luces indicadoras se iluminarán por algunos segundos.

Luces indicadoras		Capacidad restante
Iluminadas	Apagado	
■ ■ ■ ■	□	75% a 100%
■ ■ ■ □	□	50% a 75%
■ ■ □ □	□	25% a 50%
■ □ □ □	□	0% a 25%

**NOTA:** Dependiendo de las condiciones de uso y la temperatura ambiente, la indicación podrá diferir ligeramente de la capacidad real.

## Accionamiento del interruptor



► 1. Gatillo interruptor

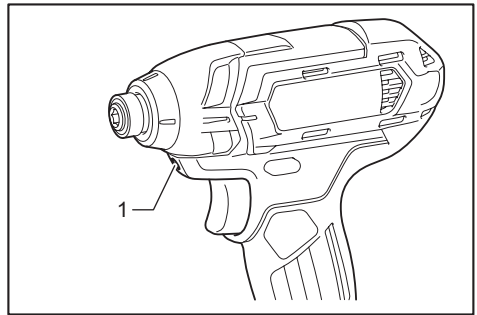
**⚠PRECAUCIÓN:** Antes de insertar el cartucho de batería en la herramienta, compruebe siempre y cerciórese de que el gatillo interruptor se acciona debidamente y que vuelve a la posición "OFF" (apagado) cuando lo suelta.

Para poner en marcha la herramienta, simplemente apriete el gatillo interruptor. La velocidad de la herramienta aumenta incrementando la presión en el gatillo. Para detenerla, suelte el gatillo.

## Freno eléctrico

La herramienta está equipada con un freno eléctrico. Si la herramienta falla constantemente en detenerse tras soltar el gatillo interruptor, lleve la herramienta a mantenimiento a un centro de servicio Makita.

## Iluminación de la luz delantera



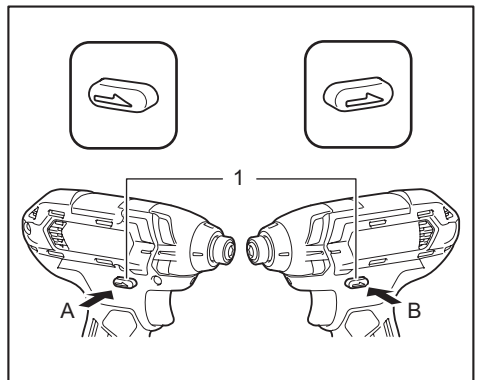
► 1. Luz

**⚠PRECAUCIÓN:** No mire a la luz ni vea a la fuente de luz directamente.

Jale el gatillo interruptor para encender la luz. La luz continúa iluminándose mientras se está jalando el gatillo interruptor. La luz se apaga aproximadamente 10 segundos tras haber liberado el gatillo interruptor.

**NOTA:** Utilice un paño seco para quitar la suciedad de la lente de la lámpara. Tenga cuidado de no rayar la lente de la lámpara ya que la iluminación podría disminuir.

## Accionamiento del conmutador de inversión de giro



► 1. Palanca del interruptor de inversión

**⚠PRECAUCIÓN:** Confirme siempre la dirección de rotación antes de la operación.

**⚠PRECAUCIÓN:** Utilice el conmutador de inversión solamente después de que la herramienta haya parado completamente. Si cambia la dirección de rotación antes de que la herramienta haya parado podría dañarla.

**⚠PRECAUCIÓN:** Cuando no esté utilizando la herramienta, ponga siempre la palanca del conmutador de inversión en la posición neutral.

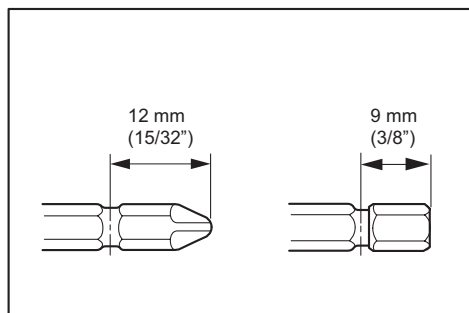
Esta herramienta tiene un conmutador de inversión para cambiar la dirección de rotación. Presione la palanca del conmutador de inversión desde el lado A para una rotación en sentido de las manecillas del reloj o desde el lado B, para una rotación en sentido inverso al de las manecillas del reloj. Cuando la palanca del conmutador de inversión esté en la posición neutral, no se podrá jalar el gatillo conmutador.

## MONTAJE

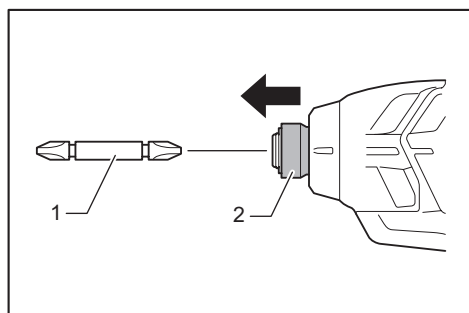
**⚠ PRECAUCIÓN:** Asegúrese siempre de que la herramienta esté apagada y el cartucho de batería haya sido extraído antes de realizar cualquier trabajo en la misma.

### Instalación o extracción de la punta de destornillador/punta de atornillar

*Accesorio opcional*



Utilice únicamente la punta de destornillador/punta de atornillar que se muestra en la figura. No utilice ninguna otra punta de destornillador/punta de atornillar.



► 1. Punta para atornillar 2. Mandril

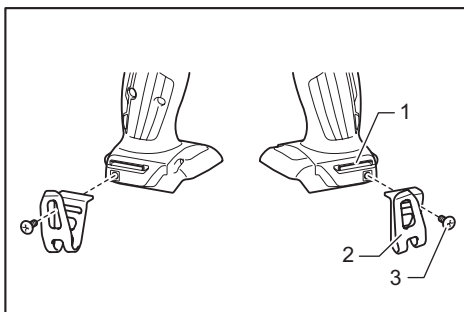
Para instalar la punta para atornillar, jale el mandril en dirección de la flecha e inserte la punta para atornillar en el mandril hasta donde sea posible. Luego suelte el mandril para asegurar la punta para atornillar.

Para quitar la punta para atornillar, jale el mandril en dirección de la flecha y jale la punta para atornillar hacia afuera.

**NOTA:** Si la punta de destornillador no se encuentra insertada hasta el fondo en el mandril, éste no regresará a su posición original y la punta de destornillador no quedará asegurada. En este caso, procure insertar la broca de nuevo siguiendo las instrucciones de arriba.

**NOTA:** Tras insertar la punta de destornillador, asegúrese de que quede firmemente ajustada. Si se sale, no la utilice.

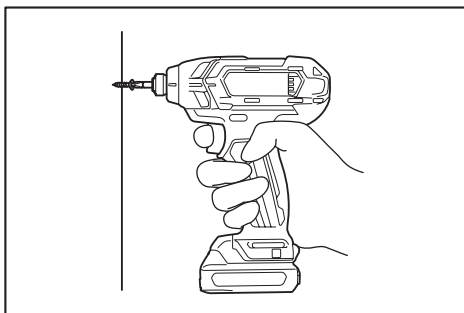
## Instalación del gancho



► 1. Ranura 2. Gancho 3. Tornillo

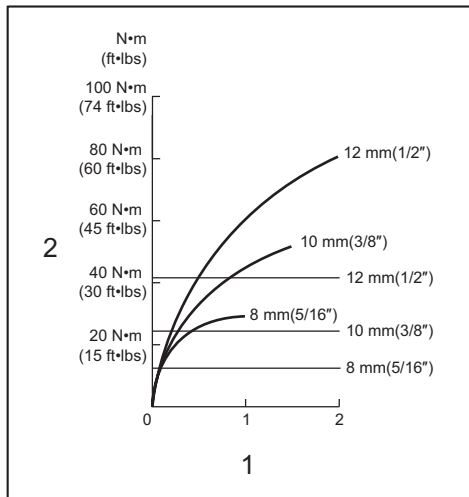
El gancho resulta útil para colgar temporalmente la herramienta. Se puede instalar en cualquiera de los lados de la herramienta. Para instalar el gancho, insértele en una ranura de la carcasa de la herramienta de cualquiera de los lados y después sujételo con un tornillo. Para quitarlo, afloje el tornillo y después sáquelo.

## OPERACIÓN



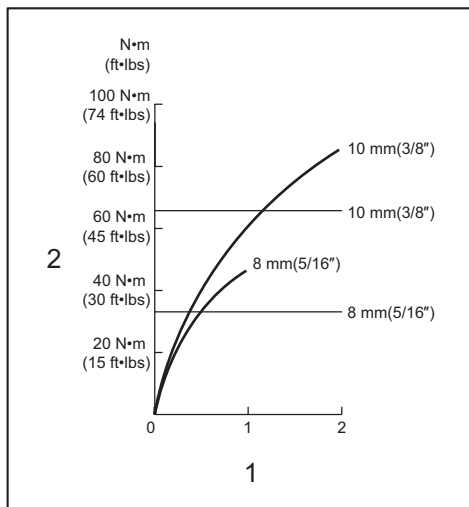
La torsión de apriete adecuada podrá variar dependiendo del tipo o tamaño del tornillo/perno, el material de la pieza de trabajo a apretar, etc. La relación entre la torsión de apriete y el tiempo de apriete se muestra en las figuras.

## Torsión de apriete apropiada para un tornillo estándar



► 1. Tiempo de apriete (segundos) 2. Torsión de apriete

## Torsión de apriete apropiada para un tornillo de alta resistencia



► 1. Tiempo de apriete (segundos) 2. Torsión de apriete

Sujete la herramienta firmemente y coloque la punta de destornillador en la cabeza del tornillo. Aplique presión frontal a la herramienta de manera que la broca no se deslice del tornillo y encienda la herramienta para comenzar la operación.

**NOTA:** Utilice la broca apropiada para la cabeza del tornillo/perno que desee utilizar.

**NOTA:** Cuando inserte tornillos de 8 mm o un tornillo más pequeño, ajuste cuidadosamente la presión sobre el gatillo interruptor para evitar que el tornillo se dañe.

**NOTA:** Sujete la herramienta dirigida en línea recta al tornillo.

**NOTA:** Si la fuerza de impacto es muy fuerte y aprieta el tornillo por un período mayor que el mostrado en las ilustraciones, el tornillo o la punta de la punta de destornillador pueden sobrecargarse, barrerse, dañarse, etc. Antes de comenzar la labor, siempre realice una operación de prueba para determinar el tiempo adecuado de fijación para sus tornillos.

La torsión de apriete se ve afectada por una amplia variedad de factores incluyendo los siguientes. Después del apriete, compruebe siempre la torsión con una llave de torsión.

1. Cuando el cartucho de batería esté casi completamente descargado, caerá la tensión y se reducirá la torsión de apriete.
2. Punta de destornillador o punta de atornillar  
El no utilizar el tamaño correcto de punta de destornillador o punta de atornillar ocasionará una reducción de la torsión de apriete.
3. Perno
  - Incluso si el coeficiente de torsión y la clase de tornillo son los mismos, la adecuada torsión de apriete variará en función del diámetro del tornillo.
  - Incluso si el diámetro del tornillo o perno es el mismo, la torsión de apriete correcta variará de acuerdo con el coeficiente de torsión, la clase y la longitud del perno o tornillo.
4. La forma de sostener la herramienta o el material en la posición a apretar afectará a la torsión.
5. La operación de la herramienta a baja velocidad ocasionará una reducción de la torsión de apriete.

## Uso de la funda

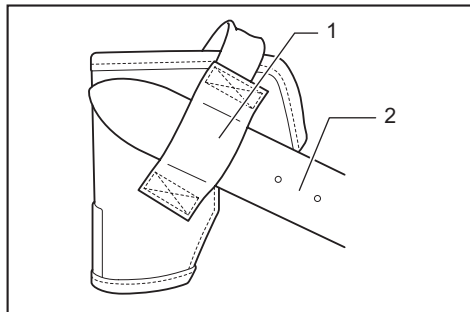
### Accesorio opcional

**⚠PRECAUCIÓN:** Cuando utilice la funda, extraiga la punta para atornillar/broca de la herramienta.

**⚠PRECAUCIÓN:** Apague la herramienta y espere hasta que se detenga por completo antes de colocarla en la funda.

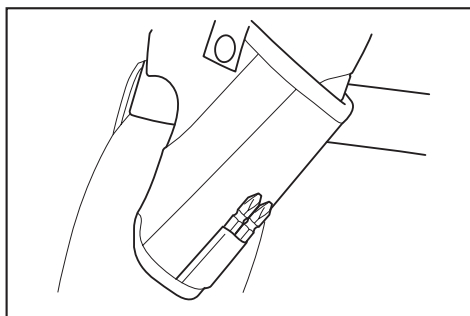
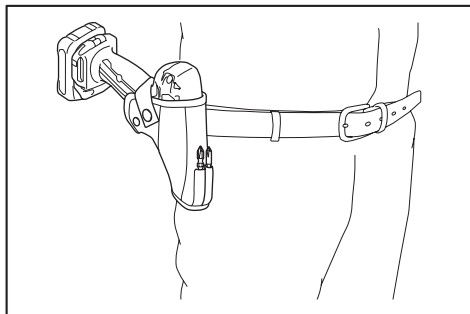
**Asegúrese de cerrar bien la funda con el broche para que sostenga firmemente a la herramienta.**

1. Introduzca un cinturón o similar a través de la agarradera de la funda.



► 1. Agarradera de la funda 2. Cinturón

2. Coloque la herramienta en la funda y asegúrela con el broche de la funda.



Puede guardar dos puntas para atornillar en la parte delantera de la funda.

## MANTENIMIENTO

**⚠PRECAUCIÓN:** Asegúrese siempre de que la herramienta esté apagada y el cartucho de batería extraído antes de intentar realizar una inspección o mantenimiento.

**AVISO:** Nunca use gasolina, bencina, diluyente (tiner), alcohol o sustancias similares. Puede que esto ocasione grietas o descoloramiento.

Para mantener la SEGURIDAD y FIABILIDAD del producto, las reparaciones, y cualquier otra tarea de mantenimiento o ajuste deberán ser realizadas en centros de servicio autorizados o de fábrica Makita, empleando siempre repuestos Makita.

## ACCESORIOS OPCIONALES

**⚠PRECAUCIÓN:** Estos accesorios o aditamentos están recomendados para utilizarse con su herramienta Makita especificada en este manual. El empleo de cualquier otro accesorio o aditamento puede conllevar el riesgo de lesiones personales. Utilice los accesorios o aditamentos solamente para su fin establecido.

Si necesita cualquier ayuda para más detalles en relación con estos accesorios, pregunte a su centro de servicio local Makita.

- Puntas de destornillador
- Puntas intercambiables
- Aditamento de broca
- Funda
- Gancho
- Estuche de transporte de plástico
- Batería y cargador originales de Makita

**NOTA:** Algunos de los artículos en la lista pueden incluirse en el paquete de la herramienta como accesorios estándar. Éstos pueden variar de país a país.

## GARANTÍA LIMITADA DE MAKITA

### Ésta Garantía no aplica para México

Consulte la hoja de la garantía anexa para ver los términos más vigentes de la garantía aplicable a este producto. En caso de no disponer de esta hoja de garantía anexa, consulte los detalles sobre la garantía descritos en el sitio web de su país respectivo indicado a continuación.

Estados Unidos de América: [www.makitatools.com](http://www.makitatools.com)

Canadá: [www.makita.ca](http://www.makita.ca)

Otros países: [www.makita.com](http://www.makita.com)









< USA only >

# WARNING

Some dust created by power sanding, sawing, grinding, drilling, and other construction activities contains chemicals known to the State of California to cause cancer, birth defects or other reproductive harm. Some examples of these chemicals are:

- lead from lead-based paints,
- crystalline silica from bricks and cement and other masonry products, and
- arsenic and chromium from chemically-treated lumber.

Your risk from these exposures varies, depending on how often you do this type of work. To reduce your exposure to these chemicals: work in a well ventilated area, and work with approved safety equipment, such as those dust masks that are specially designed to filter out microscopic particles.

< Sólo en los Estados Unidos >

# ADVERTENCIA

Algunos polvos creados por el lijado, aserrado, esmerilado, taladrado y otras actividades de la construcción contienen sustancias químicas reconocidas por el Estado de California como causantes de cáncer, defectos de nacimiento y otros peligros de reproducción. Algunos ejemplos de estos productos químicos son:

- plomo de pinturas a base de plomo,
- sílice cristalino de ladrillos y cemento y otros productos de albañilería, y
- arsénico y cromo de maderas tratadas químicamente.

El riesgo al que se expone varía, dependiendo de la frecuencia con la que realice este tipo de trabajo. Para reducir la exposición a estos productos químicos: trabaje en un área bien ventilada y póngase el equipo de seguridad indicado, tal como las máscaras contra polvo que están especialmente diseñadas para filtrar partículas microscópicas.

**Makita Corporation**

3-11-8, Sumiyoshi-cho,  
Anjo, Aichi 446-8502 Japan

[www.makita.com](http://www.makita.com)

885438B933  
TD110D-1  
EN, FRCA, ESMX  
20171028