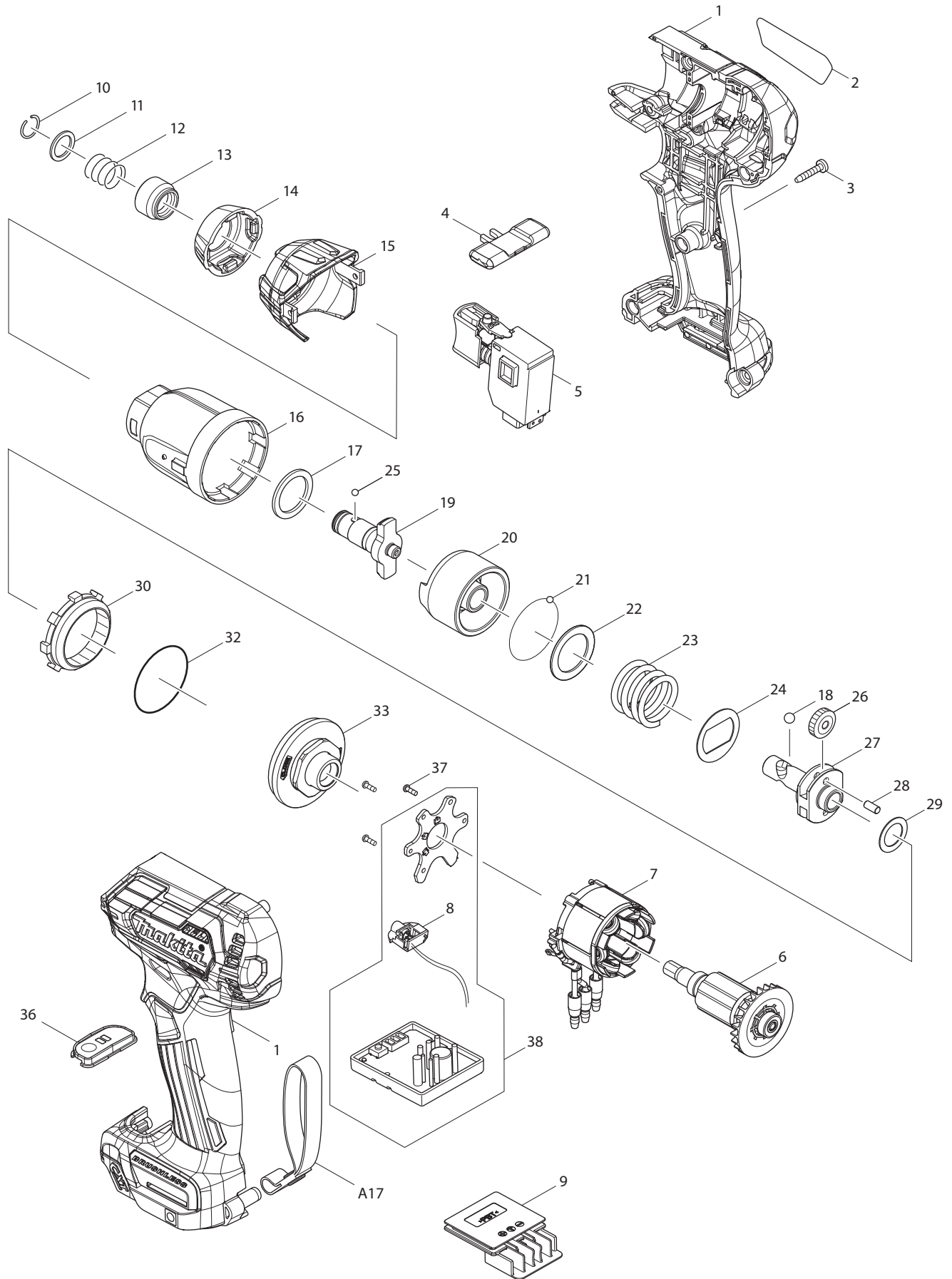




07 - 2016  
TD111DSY, TD111DZ  
12V Max CXT Brushless 1/4" Hex Impact Driver



| Item # | Type | Part No  | Description                               | Qty | Unit |
|--------|------|----------|---|-----|------|
| 1      |      | 183E65-8 | HOUSING SET                               | 1   | SET  |
|        | INC. | 252126-6 | HEX LOCKING NUT M4-7                      | 2   | PC.  |
| 2      |      | 852P36-9 | NAME PLATE F/TD111D                       | 1   | PC.  |
| 3      |      | 266429-2 | TAPPING SCREW 3X16                        | 9   | PC.  |
| 4      |      | 455053-8 | F/R CHANGE LEVER                          | 1   | PC.  |
| 5      |      | 650689-0 | SWITCH C3JW-2B                            | 1   | PC.  |
| 6      |      | 619415-6 | ROTOR                                     | 1   | PC.  |
| 7      |      | 629232-6 | STATOR                                    | 1   | PC.  |
| 8      |      | 620553-9 | LED CIRCUIT                               | 1   | PC.  |
| 9      |      | 644813-5 | TERMINAL                                  | 1   | PC.  |
| 10     |      | 231965-7 | RING SPRING 10                            | 1   | PC.  |
| 11     |      | 267143-3 | FLAT WASHER 11                            | 1   | PC.  |
| 12     |      | 233005-7 | COMPRESSION SPRING 13                     | 1   | PC.  |
| 13     |      | 326803-7 | BIT SLEEVE                                | 1   | PC.  |
| 14     |      | 424907-0 | BUMPER                                    | 1   | PC.  |
| 15     |      | 457062-3 | HAMMER CASE COVER                         | 1   | PC.  |
| 16     |      | 144058-0 | HAMMER CASE COMPLETE                      | 1   | PC.  |
| 17     |      | 261159-0 | NYLON WASHER 19                           | 1   | PC.  |
| 18     |      | 216019-1 | STEEL BALL 3                              | 2   | PC.  |
| 19     |      | 326630-2 | ANVIL M                                   | 1   | PC.  |
| 20     |      | 324894-2 | HAMMER                                    | 1   | PC.  |
| 21     |      | 216019-1 | STEEL BALL 3                              | 24  | PC.  |
| 22     |      | 267380-9 | FLAT WASHER 20                            | 1   | PC.  |
| 23     |      | 232326-4 | COMPRESSION SPRING 21                     | 1   | PC.  |
| 24     |      | 267813-4 | WASHER 21                                 | 1   | PC.  |
| 25     |      | 216002-8 | STEEL BALL 4.8                            | 2   | PC.  |
| 26     |      | 221437-0 | SPUR GEAR 17                              | 2   | PC.  |
| 27     |      | 324897-6 | SPINDLE                                   | 1   | PC.  |
| 28     |      | 268217-3 | PIN 3.5                                   | 2   | PC.  |
| 29     |      | 253052-2 | FLAT WASHER 12                            | 1   | PC.  |
| 30     |      | 227316-0 | INTERNAL GEAR 43                          | 1   | PC.  |
| 32     |      | 213479-8 | O RING 33                                 | 1   | PC.  |
| 33     |      | 141893-7 | BEARING BOX COMPLETE                      | 1   | PC.  |
| 36     |      | 144060-3 | SWITCH PLATE COMPLETE                     | 1   | PC.  |
| 37     |      | 266490-9 | TAPPING SCREW PT 2X6                      | 3   | PC.  |
| 38     |      | 620552-1 | CONTROLLER                                | 1   | PC.  |
|        | INC. |          | Item No. 8                                |     |      |
| E01    |      | 810J35-1 | CAUTION LABEL                             | 1   | PC.  |
| 100    |      | 266622-8 | + TRUSS HEAD SCREW M4X12 F/HOOK (Item A2) | 1   | PC.  |

| Item #  | Type | Part No                 | Description  | Qty | Unit |
|---|------|-------------------------|--|-----|------|
| <b>ACCESSORIES</b>  |      |                         |  |     |      |
| <b>- See Catalogue or visit <a href="http://www.makita.ca">www.makita.ca</a> for more accessories -</b> |      |                         |  |     |      |
| A02   |      | 346909-5                | HOOK F/12V LI-ION SLIDE BTTRY                          | 1   | PC.  |
| A03   |      | 784244-7                | (+) DOUBLE END BIT #2-50                               | 1   | PC.  |
| A04   |      | 456128-6                | BATTERY COVER F/12V LI-ION                             | 1   | PC.  |
| A05   |      | <a href="#">DC10SB</a>  | RAPID CHARGER DC10SB                                   | 1   | PC.  |
|   |      | <a href="#">DC18SE</a>  | AUTOMOTIVE CHARGER DC18SE                              | 1   | PC.  |
| A06   |      | -----                   | <a href="#">12V MAX LI-ION BATTERY, SLIDE TYPE</a>     | 2   | PC.  |
| A07   |      | 821661-1                | PLASTIC CARRYING CASE                                  | 1   | PC.  |
|   | INC. | 417724-5                | LATCH  | 2   | PC.  |
|   | Opt. | -----                   | <a href="#">INTERLOCKING TOOL CASES</a>                |     |      |
| A08   |      | 192077-0                | 3/8" KYLS DRILL CHUCK ATTCHMENT                        | 1   | PC.  |
|   |      | 194250-8                | 3/8" KYLS DRILL CHUCK ATTCHMENT                        | 1   | PC.  |
|   |      | 191881-4                | 3/8" DRILL CHUCK ATTCHMENT                             | 1   | PC.  |
| A09   |      | <a href="#">T-02272</a> | HOLSTER  | 1   | PC.  |
|   |      | 168467-9                | HOLSTER  | 1   | PC.  |
| A10   |      | -----                   | <a href="#">1" &amp; 2" IMPACT GOLD DRIVER BITS</a>    |     |      |
| A11   |      | -----                   | <a href="#">TORSION SCREWDRIVER BITS</a>               |     |      |
| A12   |      | -----                   | <a href="#">IMPACT ACCESSORIES KITS</a>                |     |      |
| A13   |      | -----                   | <a href="#">IMPACT SERIES PROFESSIONAL WORK GLOVES</a> |     |      |
| A14   |      | -----                   | <a href="#">BLUE PRO COLLECTION</a>                    |     |      |
| A15   |      | -----                   | <a href="#">SCREW GUIDES</a>                           |     |      |
| A16   |      | 163400-6                | HAND STRAP   | 1   | PC.  |