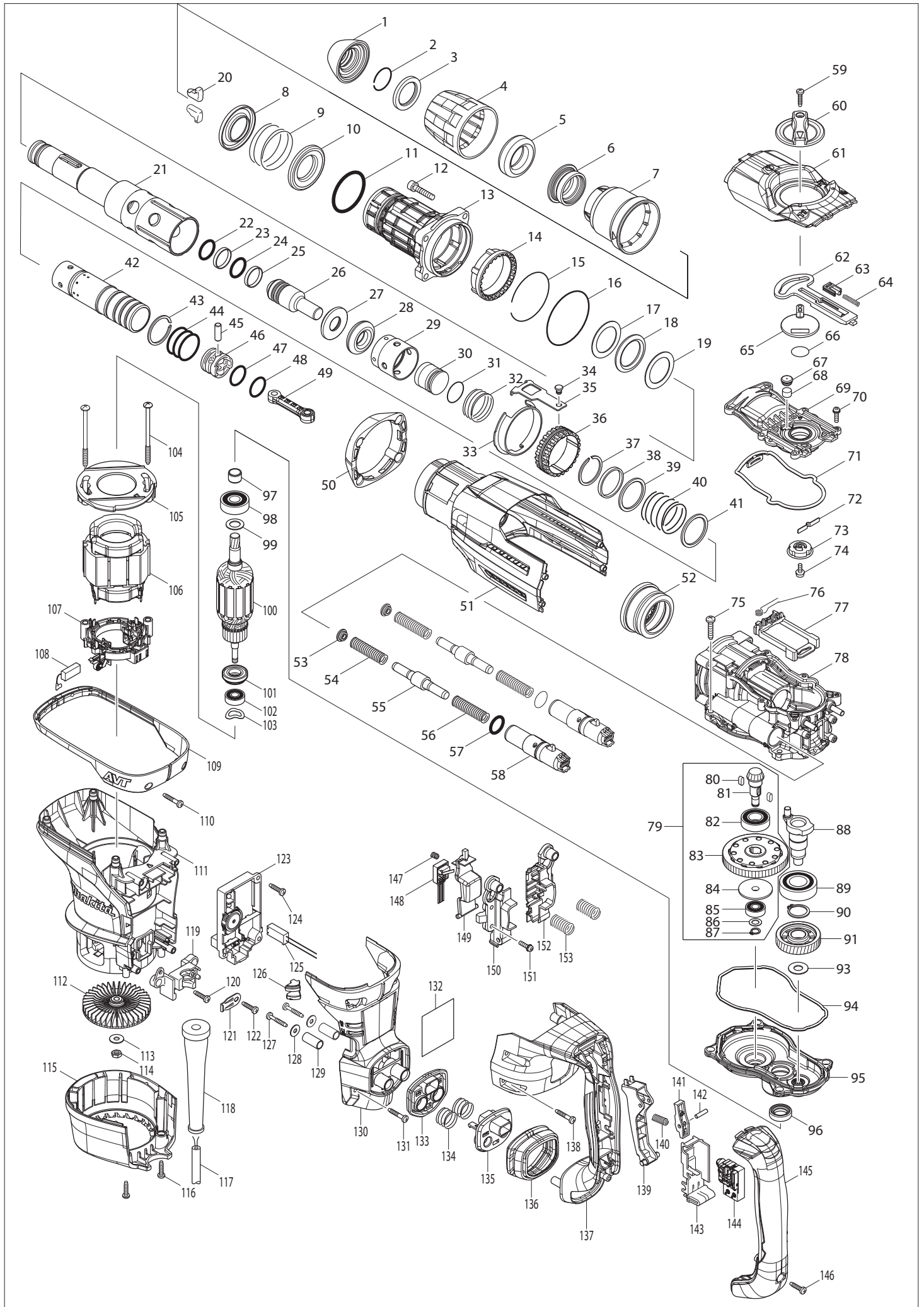


HR4013C / 40MM ROTARY HAMMER



HR4013C / 40MM ROTARY HAMMER

AR

Item	Sub	Parts No.	Parts Description	Qty	I/C	E/C No.	Close No.	Remark
001		286292-7	TOOL HOLDER CAP	1				
002		233948-3	RING SPRING 25	1				
003		257308-5	RING 28	1				
004		454330-5	CHUCK COVER	1				
005		262167-4	RUBBER RING 30	1				
006		326272-2	CHUCK RING	1				
007		454331-3	RELEASE COVER	1				
008		346670-4	SPRING GUIDE	1				
009		234288-2	COMPRESSION SPRING 46	1				
010		346670-4	SPRING GUIDE	1				
011		213615-6	O RING 46	1				
012		922351-0	HEX. SOCKET HEAD BOLT M6X30	4				
013		141956-9	BARREL COMPLETE	1				
	C10	213246-1	O-RING 38 SA1004	1				
	C20	213490-0	OIL SEAL 32	1				
	C30	213492-6	O-RING 32	1				
014		454337-1	LOCK SLEEVE	1				
015		234290-5	RING SPRING 59	1				
016		213707-1	O RING 65	1				
017		267469-3	FLAT WASHER 32	1				
018		262168-2	RUBBER RING 32	1				
019		267469-3	FLAT WASHER 32	1				
020		310257-8	TOOL RETAINER	2				
021		326268-3	TOOL HOLDER	1				
022		213317-4	O RING 20	1				
023		213392-0	FLUORIDE RING 25	1				
024		213317-4	O RING 20	1				
025		213392-0	FLUORIDE RING 25	1				
026		326269-1	IMPACT BOLT	1				
027		326274-8	RING 17	1				
028		262166-6	RUBBER RING 18	1				
029		454347-8	SLIDE SLEEVE	1				
030		326270-6	STRIKER	1				
031		213695-2	O-RING 22	1				
032		234289-0	COMPRESSION SPRING 33	1				
033		346673-8	GUIDE RING	1				
034		256548-2	FLAT FILLISTER HEAD PIN 6	1				
035		346671-2	LINK PLATE	1				
036		313255-1	DRIVING SLEEVE	1				
037		257991-8	RETAINING RING (EXT) WR-32.5	1				
038		257340-9	RING 33	1				
039		267470-8	FLAT WASHER 33	1				
040		234287-4	COMPRESSION SPRING 34	1				
041		267470-8	FLAT WASHER 33	1				
042		332063-1	CYLINDER 28.5	1				
043		257991-8	RETAINING RING (EXT) WR-32.5	1				
044		213406-5	O RING 30	3				
045		256197-5	PIN 7	1				
046		419004-5	PISTON	1				
047		213379-2	O RING 21	1				
048		213695-2	O-RING 22	1				
049		454317-7	CONNECTING ROD	1				
050		424560-2	HOUSING CAP	1				
051		141957-7	HOUSING COVER A COMPLETE	1				
052		227613-4	SPIRAL BEVEL GEAR 26	1				
053		454342-8	SPRING PLATE	2				
054		234286-6	COMPRESSION SPRING 11	2				
055		326273-0	COUNTER WEIGHT	2				
056		234286-6	COMPRESSION SPRING 11	2				
057		213325-5	O RING 19	2				
058		142289-5	HOLDER COMPLETE	2				
059		265995-6	TAPPING SCREW 4X18	1				
060		454326-6	CHANGE LEVER	1				
061		318988-3	CRANK CAP COVER	1				
062		454339-7	CONTROL PLATE	1				

Interchange
 O : Yes
 X : No
 < : the new part can be substituted for the current.
 > : the current part can be substituted for the new.
 S : Interchangeable as a set.

HR4013C / 40MM ROTARY HAMMER

AR

Item	Sub	Parts No.	Parts Description	Qty	I/C	E/C No.	Close No.	Remark
063		454340-2	SLIDE PLATE	1				
064		234284-0	COMPRESSION SPRING 4	1				
065		454345-2	CRANK LEVER	1				
066		213262-3	O RING 18	1				
067		424556-3	FILTER CAP	1				
068		443182-9	FILTER	1				
069		454319-3	CRANK CAP	1				
070		911128-8	PAN HEAD SCREW M4X16	6				
071		424559-7	SEAL RING B	1				
072		232280-2	LEAF SPRING	1				
073		454318-5	LINK LEVER	1				
074		911511-9	PAN HEAD SCREW M4X10	1				
075		266041-8	TAPPING SCREW 5X25	4				
076		233603-7	TORSION SPRING 7	1				
077		454338-9	LINK GUIDE	1				
078		141953-5	CRANK HOUSING A COMPLETE	1				
079		126290-8	TORQUE LIMITER ASSEMBLY	1				
	D10		INC. 80-87					
080		254239-9	KEY 4	2				
081		227612-6	SPIRAL BEVEL GEAR 7	1				
082		211232-6	BALL BEARING 6002LLU	1				
083		141959-3	TORQUE LIMITER COMPLETE	1				
084		324727-1	SHOULDER WASHER 8	1				
085		210005-4	BALL BEARING 608DDW	1				
086		253215-0	FLAT WASHER 8	1				
087		961004-6	RETAINING RING S-8	1				
088		326271-4	CRANK SHAFT	1				
089		211332-2	BALL BEARING 6004LLU	1				
090		961060-6	RETAINING RING S-20	1				
091		227772-4	HELICAL GEAR 37	1				
093		253180-3	FLAT WASHER 10	1				
094		424558-9	SEAL RING A	1				
095		141955-1	GEAR HOUSING COMPLETE	1				
096		213231-4	OIL SEAL 15	1				
097		331596-3	SLEEVE 12	1				
098		211137-0	BALL BEARING 6201LLU	1				
099		253744-3	FLAT WASHER 12	1				
100		513888-4	ARMATURE ASS'Y 220-240V	1				
	D10		INC. 97,98,99,101,102					
101		681650-6	INSULATION WASHER	1				
102		210005-4	BALL BEARING 608DDW	1				
103		267721-9	WAVE WASHER 15	1				
104		266568-8	TAPPING SCREW 5X80	2				
105		454329-0	BAFFLE PLATE	1				
106		625758-6	FIELD 220-240V	1				
107		632A84-2	BRUSH HOLDE UNIT	1				
108		195004-6	CARBON BRUSH SET CB-350	1				
109		454348-6	GUARD 40	1				
110		265999-8	TAPPING SCREW 4X25	2				
111		454316-9	MOTOR HOUSING	1				
112		240146-2	FAN 76	1				
113		253047-5	FLAT WASHER 6	1				
114		931303-0	HEX. NUT M6	1				
115		454328-2	REAR COVER	1				
116		265995-6	TAPPING SCREW 4X18	2				
117		696138-3	POWER SUPPLY CORD 1.0-2-5.0	1				
118		682560-0	CORD GUARD 10	1				
119		419024-9	CORD CLAMP BASE	1				
120		265995-6	TAPPING SCREW 4X18	1				
121		687169-3	STRAIN RELIEF	1				
122		265995-6	TAPPING SCREW 4X18	1				
123		620200-2	CONTROLLER	1				
124		265995-6	TAPPING SCREW 4X18	1				
125		632B52-1	LEAD UNIT	1				
126		454346-0	LENS	1				

Interchange
 O : Yes
 X : No
 < : the new part can be substituted for the current.
 > : the current part can be substituted for the new.
 S : Interchangeable as a set.

HR4013C / 40MM ROTARY HAMMER

AT

Item	Sub	Parts No.	Parts Description	Qty	I/C	E/C No.	Close No.	Remark
001		286292-7	TOOL HOLDER CAP	1				
002		233948-3	RING SPRING 25	1				
003		257308-5	RING 28	1				
004		454330-5	CHUCK COVER	1				
005		262167-4	RUBBER RING 30	1				
006		326272-2	CHUCK RING	1				
007		454331-3	RELEASE COVER	1				
008		346670-4	SPRING GUIDE	1				
009		234288-2	COMPRESSION SPRING 46	1				
010		346670-4	SPRING GUIDE	1				
011		213615-6	O RING 46	1				
012		922351-0	HEX. SOCKET HEAD BOLT M6X30	4				
013		141956-9	BARREL COMPLETE	1				
	C10	213246-1	O-RING 38 SA1004	1				
	C20	213490-0	OIL SEAL 32	1				
	C30	213492-6	O-RING 32	1				
014		454337-1	LOCK SLEEVE	1				
015		234290-5	RING SPRING 59	1				
016		213707-1	O RING 65	1				
017		267469-3	FLAT WASHER 32	1				
018		262168-2	RUBBER RING 32	1				
019		267469-3	FLAT WASHER 32	1				
020		310257-8	TOOL RETAINER	2				
021		326268-3	TOOL HOLDER	1				
022		213317-4	O RING 20	1				
023		213392-0	FLUORIDE RING 25	1				
024		213317-4	O RING 20	1				
025		213392-0	FLUORIDE RING 25	1				
026		326269-1	IMPACT BOLT	1				
027		326274-8	RING 17	1				
028		262166-6	RUBBER RING 18	1				
029		454347-8	SLIDE SLEEVE	1				
030		326270-6	STRIKER	1				
031		213695-2	O-RING 22	1				
032		234289-0	COMPRESSION SPRING 33	1				
033		346673-8	GUIDE RING	1				
034		256548-2	FLAT FILLISTER HEAD PIN 6	1				
035		346671-2	LINK PLATE	1				
036		313255-1	DRIVING SLEEVE	1				
037		257991-8	RETAINING RING (EXT) WR-32.5	1				
038		257340-9	RING 33	1				
039		267470-8	FLAT WASHER 33	1				
040		234287-4	COMPRESSION SPRING 34	1				
041		267470-8	FLAT WASHER 33	1				
042		332063-1	CYLINDER 28.5	1				
043		257991-8	RETAINING RING (EXT) WR-32.5	1				
044		213406-5	O RING 30	3				
045		256197-5	PIN 7	1				
046		419004-5	PISTON	1				
047		213379-2	O RING 21	1				
048		213695-2	O-RING 22	1				
049		454317-7	CONNECTING ROD	1				
050		424560-2	HOUSING CAP	1				
051		141957-7	HOUSING COVER A COMPLETE	1				
052		227613-4	SPIRAL BEVEL GEAR 26	1				
053		454342-8	SPRING PLATE	2				
054		234286-6	COMPRESSION SPRING 11	2				
055		326273-0	COUNTER WEIGHT	2				
056		234286-6	COMPRESSION SPRING 11	2				
057		213325-5	O RING 19	2				
058		142289-5	HOLDER COMPLETE	2				
059		265995-6	TAPPING SCREW 4X18	1				
060		454326-6	CHANGE LEVER	1				
061		318988-3	CRANK CAP COVER	1				
062		454339-7	CONTROL PLATE	1				

Interchange
O : Yes
X : No
< : the new part can be substituted for the current.
> : the current part can be substituted for the new.
S : Interchangeable as a set.

HR4013C / 40MM ROTARY HAMMER

AT

Item	Sub	Parts No.	Parts Description	Qty	I/C	E/C No.	Close No.	Remark
063		454340-2	SLIDE PLATE	1				
064		234284-0	COMPRESSION SPRING 4	1				
065		454345-2	CRANK LEVER	1				
066		213262-3	O RING 18	1				
067		424556-3	FILTER CAP	1				
068		443182-9	FILTER	1				
069		454319-3	CRANK CAP	1				
070		911128-8	PAN HEAD SCREW M4X16	6				
071		424559-7	SEAL RING B	1				
072		232280-2	LEAF SPRING	1				
073		454318-5	LINK LEVER	1				
074		911511-9	PAN HEAD SCREW M4X10	1				
075		266041-8	TAPPING SCREW 5X25	4				
076		233603-7	TORSION SPRING 7	1				
077		454338-9	LINK GUIDE	1				
078		141953-5	CRANK HOUSING A COMPLETE	1				
079		126290-8	TORQUE LIMITER ASSEMBLY	1				
	D10		INC. 80-87					
080		254239-9	KEY 4	2				
081		227612-6	SPIRAL BEVEL GEAR 7	1				
082		211232-6	BALL BEARING 6002LLU	1				
083		141959-3	TORQUE LIMITER COMPLETE	1				
084		324727-1	SHOULDER WASHER 8	1				
085		210005-4	BALL BEARING 608DDW	1				
086		253215-0	FLAT WASHER 8	1				
087		961004-6	RETAINING RING S-8	1				
088		326271-4	CRANK SHAFT	1				
089		211332-2	BALL BEARING 6004LLU	1				
090		961060-6	RETAINING RING S-20	1				
091		227772-4	HELICAL GEAR 37	1				
093		253180-3	FLAT WASHER 10	1				
094		424558-9	SEAL RING A	1				
095		141955-1	GEAR HOUSING COMPLETE	1				
096		213231-4	OIL SEAL 15	1				
097		331596-3	SLEEVE 12	1				
098		211137-0	BALL BEARING 6201LLU	1				
099		253744-3	FLAT WASHER 12	1				
100		513888-4	ARMATURE ASS'Y 220-240V	1				
	D10		INC. 97,98,99,101,102					
101		681650-6	INSULATION WASHER	1				
102		210005-4	BALL BEARING 608DDW	1				
103		267721-9	WAVE WASHER 15	1				
104		266568-8	TAPPING SCREW 5X80	2				
105		454329-0	BAFFLE PLATE	1				
106		625758-6	FIELD 220-240V	1				
107		632A84-2	BRUSH HOLDE UNIT	1				
108		194160-9	CARBON BRUSH CB-350	1				
109		454348-6	GUARD 40	1				
110		265999-8	TAPPING SCREW 4X25	2				
111		454316-9	MOTOR HOUSING	1				
112		240146-2	FAN 76	1				
113		253047-5	FLAT WASHER 6	1				
114		931303-0	HEX. NUT M6	1				
115		454328-2	REAR COVER	1				
116		265995-6	TAPPING SCREW 4X18	2				
117		695123-3	POWER SUPPLY CORD 1.5-2-4.0	1				
118		682560-0	CORD GUARD 10	1				
119		419024-9	CORD CLAMP BASE	1				
120		265995-6	TAPPING SCREW 4X18	1				
121		687169-3	STRAIN RELIEF	1				
122		265995-6	TAPPING SCREW 4X18	1				
123		620200-2	CONTROLLER	1				
124		265995-6	TAPPING SCREW 4X18	1				
125		632B52-1	LEAD UNIT	1				
126		454346-0	LENS	1				

Interchange
 O : Yes
 X : No
 < : the new part can be substituted for the current.
 > : the current part can be substituted for the new.
 S : Interchangeable as a set.

HR4013C / 40MM ROTARY HAMMER

AU

Item	Sub	Parts No.	Parts Description	Qty	I/C	E/C No.	Close No.	Remark
001		286292-7	TOOL HOLDER CAP	1				
002		233948-3	RING SPRING 25	1				
003		257308-5	RING 28	1				
004		454330-5	CHUCK COVER	1				
005		262167-4	RUBBER RING 30	1				
006		326272-2	CHUCK RING	1				
007		454331-3	RELEASE COVER	1				
008		346670-4	SPRING GUIDE	1				
009		234288-2	COMPRESSION SPRING 46	1				
010		346670-4	SPRING GUIDE	1				
011		213615-6	O RING 46	1				
012		922351-0	HEX. SOCKET HEAD BOLT M6X30	4				
013		141956-9	BARREL COMPLETE	1				
	C10	213246-1	O-RING 38 SA1004	1				
	C20	213490-0	OIL SEAL 32	1				
	C30	213492-6	O-RING 32	1				
014		454337-1	LOCK SLEEVE	1				
015		234290-5	RING SPRING 59	1				
016		213707-1	O RING 65	1				
017		267469-3	FLAT WASHER 32	1				
018		262168-2	RUBBER RING 32	1				
019		267469-3	FLAT WASHER 32	1				
020		310257-8	TOOL RETAINER	2				
021		326268-3	TOOL HOLDER	1				
022		213317-4	O RING 20	1				
023		213392-0	FLUORIDE RING 25	1				
024		213317-4	O RING 20	1				
025		213392-0	FLUORIDE RING 25	1				
026		326269-1	IMPACT BOLT	1				
027		326274-8	RING 17	1				
028		262166-6	RUBBER RING 18	1				
029		454347-8	SLIDE SLEEVE	1				
030		326270-6	STRIKER	1				
031		213695-2	O-RING 22	1				
032		234289-0	COMPRESSION SPRING 33	1				
033		346673-8	GUIDE RING	1				
034		256548-2	FLAT FILLISTER HEAD PIN 6	1				
035		346671-2	LINK PLATE	1				
036		313255-1	DRIVING SLEEVE	1				
037		257991-8	RETAINING RING (EXT) WR-32.5	1				
038		257340-9	RING 33	1				
039		267470-8	FLAT WASHER 33	1				
040		234287-4	COMPRESSION SPRING 34	1				
041		267470-8	FLAT WASHER 33	1				
042		332063-1	CYLINDER 28.5	1				
043		257991-8	RETAINING RING (EXT) WR-32.5	1				
044		213406-5	O RING 30	3				
045		256197-5	PIN 7	1				
046		419004-5	PISTON	1				
047		213379-2	O RING 21	1				
048		213695-2	O-RING 22	1				
049		454317-7	CONNECTING ROD	1				
050		424560-2	HOUSING CAP	1				
051		141957-7	HOUSING COVER A COMPLETE	1				
052		227613-4	SPIRAL BEVEL GEAR 26	1				
053		454342-8	SPRING PLATE	2				
054		234286-6	COMPRESSION SPRING 11	2				
055		326273-0	COUNTER WEIGHT	2				
056		234286-6	COMPRESSION SPRING 11	2				
057		213325-5	O RING 19	2				
058		142289-5	HOLDER COMPLETE	2				
059		265995-6	TAPPING SCREW 4X18	1				
060		454326-6	CHANGE LEVER	1				
061		318988-3	CRANK CAP COVER	1				
062		454339-7	CONTROL PLATE	1				

Interchange
O : Yes
X : No
< : the new part can be substituted for the current.
> : the current part can be substituted for the new.
S : Interchangeable as a set.

HR4013C / 40MM ROTARY HAMMER

AU

Item	Sub	Parts No.	Parts Description	Qty	I/C	E/C No.	Close No.	Remark
063		454340-2	SLIDE PLATE	1				
064		234284-0	COMPRESSION SPRING 4	1				
065		454345-2	CRANK LEVER	1				
066		213262-3	O RING 18	1				
067		424556-3	FILTER CAP	1				
068		443182-9	FILTER	1				
069		454319-3	CRANK CAP	1				
070		911128-8	PAN HEAD SCREW M4X16	6				
071		424559-7	SEAL RING B	1				
072		232280-2	LEAF SPRING	1				
073		454318-5	LINK LEVER	1				
074		911511-9	PAN HEAD SCREW M4X10	1				
075		266041-8	TAPPING SCREW 5X25	4				
076		233603-7	TORSION SPRING 7	1				
077		454338-9	LINK GUIDE	1				
078		141953-5	CRANK HOUSING A COMPLETE	1				
079		126290-8	TORQUE LIMITER ASSEMBLY	1				
	D10		INC. 80-87					
080		254239-9	KEY 4	2				
081		227612-6	SPIRAL BEVEL GEAR 7	1				
082		211232-6	BALL BEARING 6002LLU	1				
083		141959-3	TORQUE LIMITER COMPLETE	1				
084		324727-1	SHOULDER WASHER 8	1				
085		210005-4	BALL BEARING 608DDW	1				
086		253215-0	FLAT WASHER 8	1				
087		961004-6	RETAINING RING S-8	1				
088		326271-4	CRANK SHAFT	1				
089		211332-2	BALL BEARING 6004LLU	1				
090		961060-6	RETAINING RING S-20	1				
091		227772-4	HELICAL GEAR 37	1				
093		253180-3	FLAT WASHER 10	1				
094		424558-9	SEAL RING A	1				
095		141955-1	GEAR HOUSING COMPLETE	1				
096		213231-4	OIL SEAL 15	1				
097		331596-3	SLEEVE 12	1				
098		211137-0	BALL BEARING 6201LLU	1				
099		253744-3	FLAT WASHER 12	1				
100		513888-4	ARMATURE ASS'Y 220-240V	1				
	D10		INC. 97,98,99,101,102					
101		681650-6	INSULATION WASHER	1				
102		210005-4	BALL BEARING 608DDW	1				
103		267721-9	WAVE WASHER 15	1				
104		266568-8	TAPPING SCREW 5X80	2				
105		454329-0	BAFFLE PLATE	1				
106		625758-6	FIELD 220-240V	1				
107		632A84-2	BRUSH HOLDE UNIT	1				
108		195004-6	CARBON BRUSH SET CB-350	1				
109		454348-6	GUARD 40	1				
110		265999-8	TAPPING SCREW 4X25	2				
111		454316-9	MOTOR HOUSING	1				
112		240146-2	FAN 76	1				
113		253047-5	FLAT WASHER 6	1				
114		931303-0	HEX. NUT M6	1				
115		454328-2	REAR COVER	1				
116		265995-6	TAPPING SCREW 4X18	2				
117		666426-2	POWER SUPPLY CORD 1.00-2-5.0	1				
118		682560-0	CORD GUARD 10	1				
119		419024-9	CORD CLAMP BASE	1				
120		265995-6	TAPPING SCREW 4X18	1				
121		687169-3	STRAIN RELIEF	1				
122		265995-6	TAPPING SCREW 4X18	1				
123		620200-2	CONTROLLER	1				
124		265995-6	TAPPING SCREW 4X18	1				
125		632B52-1	LEAD UNIT	1				
126		454346-0	LENS	1				

Interchange
 O : Yes
 X : No
 < : the new part can be substituted for the current.
 > : the current part can be substituted for the new.
 S : Interchangeable as a set.

HR4013C / 40MM ROTARY HAMMER

BR

Item	Sub	Parts No.	Parts Description	Qty	I/C	E/C No.	Close No.	Remark
001		286292-7	TOOL HOLDER CAP	1				
002		233948-3	RING SPRING 25	1				
003		257308-5	RING 28	1				
004		454330-5	CHUCK COVER	1				
005		262167-4	RUBBER RING 30	1				
006		326272-2	CHUCK RING	1				
007		454331-3	RELEASE COVER	1				
008		346670-4	SPRING GUIDE	1				
009		234288-2	COMPRESSION SPRING 46	1				
010		346670-4	SPRING GUIDE	1				
011		213615-6	O RING 46	1				
012		922351-0	HEX. SOCKET HEAD BOLT M6X30	4				
013		141956-9	BARREL COMPLETE	1				
	C10	213246-1	O-RING 38 SA1004	1				
	C20	213490-0	OIL SEAL 32	1				
	C30	213492-6	O-RING 32	1				
014		454337-1	LOCK SLEEVE	1				
015		234290-5	RING SPRING 59	1				
016		213707-1	O RING 65	1				
017		267469-3	FLAT WASHER 32	1				
018		262168-2	RUBBER RING 32	1				
019		267469-3	FLAT WASHER 32	1				
020		310257-8	TOOL RETAINER	2				
021		326268-3	TOOL HOLDER	1				
022		213317-4	O RING 20	1				
023		213392-0	FLUORIDE RING 25	1				
024		213317-4	O RING 20	1				
025		213392-0	FLUORIDE RING 25	1				
026		326269-1	IMPACT BOLT	1				
027		326274-8	RING 17	1				
028		262166-6	RUBBER RING 18	1				
029		454347-8	SLIDE SLEEVE	1				
030		326270-6	STRIKER	1				
031		213695-2	O-RING 22	1				
032		234289-0	COMPRESSION SPRING 33	1				
033		346673-8	GUIDE RING	1				
034		256548-2	FLAT FILLISTER HEAD PIN 6	1				
035		346671-2	LINK PLATE	1				
036		313255-1	DRIVING SLEEVE	1				
037		257991-8	RETAINING RING (EXT) WR-32.5	1				
038		257340-9	RING 33	1				
039		267470-8	FLAT WASHER 33	1				
040		234287-4	COMPRESSION SPRING 34	1				
041		267470-8	FLAT WASHER 33	1				
042		332063-1	CYLINDER 28.5	1				
043		257991-8	RETAINING RING (EXT) WR-32.5	1				
044		213406-5	O RING 30	3				
045		256197-5	PIN 7	1				
046		419004-5	PISTON	1				
047		213379-2	O RING 21	1				
048		213695-2	O-RING 22	1				
049		454317-7	CONNECTING ROD	1				
050		424560-2	HOUSING CAP	1				
051		141957-7	HOUSING COVER A COMPLETE	1				
052		227613-4	SPIRAL BEVEL GEAR 26	1				
053		454342-8	SPRING PLATE	2				
054		234286-6	COMPRESSION SPRING 11	2				
055		326273-0	COUNTER WEIGHT	2				
056		234286-6	COMPRESSION SPRING 11	2				
057		213325-5	O RING 19	2				
058		142289-5	HOLDER COMPLETE	2				
059		265995-6	TAPPING SCREW 4X18	1				
060		454326-6	CHANGE LEVER	1				
061		318988-3	CRANK CAP COVER	1				
062		454339-7	CONTROL PLATE	1				

A:HR4013C(L)
B:HR4013C(H)

Interchange
O : Yes
X : No
< : the new part can be substituted for the current.
> : the current part can be substituted for the new.
S : Interchangeable as a set.

HR4013C / 40MM ROTARY HAMMER

BR

Item	Sub	Parts No.	Parts Description	Qty	I/C	E/C No.	Close No.	Remark	
063		454340-2	SLIDE PLATE	1					
064		234284-0	COMPRESSION SPRING 4	1					
065		454345-2	CRANK LEVER	1					
066		213262-3	O RING 18	1					
067		424556-3	FILTER CAP	1					
068		443182-9	FILTER	1					
069		454319-3	CRANK CAP	1					
070		911128-8	PAN HEAD SCREW M4X16	6					
071		424559-7	SEAL RING B	1					
072		232280-2	LEAF SPRING	1					
073		454318-5	LINK LEVER	1					
074		911511-9	PAN HEAD SCREW M4X10	1					
075		266041-8	TAPPING SCREW 5X25	4					
076		233603-7	TORSION SPRING 7	1					
077		454338-9	LINK GUIDE	1					
078		141953-5	CRANK HOUSING A COMPLETE	1					
079		126290-8	TORQUE LIMITER ASSEMBLY	1					
	D10		INC. 80-87						
080		254239-9	KEY 4	2					
081		227612-6	SPIRAL BEVEL GEAR 7	1					
082		211232-6	BALL BEARING 6002LLU	1					
083		141959-3	TORQUE LIMITER COMPLETE	1					
084		324727-1	SHOULDER WASHER 8	1					
085		210005-4	BALL BEARING 608DDW	1					
086		253215-0	FLAT WASHER 8	1					
087		961004-6	RETAINING RING S-8	1					
088		326271-4	CRANK SHAFT	1					
089		211332-2	BALL BEARING 6004LLU	1					
090		961060-6	RETAINING RING S-20	1					
091		227772-4	HELICAL GEAR 37	1					
093		253180-3	FLAT WASHER 10	1					
094		424558-9	SEAL RING A	1					
095		141955-1	GEAR HOUSING COMPLETE	1					
096		213231-4	OIL SEAL 15	1					
097		331596-3	SLEEVE 12	1					
098		211137-0	BALL BEARING 6201LLU	1					
099		253744-3	FLAT WASHER 12	1					
	D10		INC. 97,98,99,101,102						
100A		513886-8	ARMATURE ASS'Y 115V	1				127V	
100B		513888-4	ARMATURE ASS'Y 220-240V	1				220V	
101		681650-6	INSULATION WASHER	1					
102		210005-4	BALL BEARING 608DDW	1					
103		267721-9	WAVE WASHER 15	1					
104		266568-8	TAPPING SCREW 5X80	2					
105		454329-0	BAFFLE PLATE	1					
106A		625756-0	FIELD 115V	1				127V	
106B		625758-6	FIELD 220-240V	1				220V	
107		632A84-2	BRUSH HOLDE UNIT	1					
108		196485-7	CARBON BRUSH SET CB-350	1					
109		454348-6	GUARD 40	1					
110		265999-8	TAPPING SCREW 4X25	2					
111		454316-9	MOTOR HOUSING	1					
112		240146-2	FAN 76	1					
113		253047-5	FLAT WASHER 6	1					
114		931303-0	HEX. NUT M6	1					
115		454328-2	REAR COVER	1					
116		265995-6	TAPPING SCREW 4X18	2					
117A		697049-5	POWER SUPPLY CORD 1.5-2-2.0	1				127V	
117B		693930-8	POWER SUPPLY CORD 1.5-2-2.0	1				220V	
118		682560-0	CORD GUARD 10	1					
119		419024-9	CORD CLAMP BASE	1					
120		265995-6	TAPPING SCREW 4X18	1					
121		687678-2	STRAIN RELIEF	1					
122		265995-6	TAPPING SCREW 4X18	1					
123A		620199-1	CONTROLLER	1				127V	
A:HR4013C(L) B:HR4013C(H)						Interchange O : Yes X : No < : the new part can be substituted for the current. > : the current part can be substituted for the new. S : Interchangeable as a set.			

HR4013C / 40MM ROTARY HAMMER

BT

Item	Sub	Parts No.	Parts Description	Qty	I/C	E/C No.	Close No.	Remark
001		286292-7	TOOL HOLDER CAP	1				
002		233948-3	RING SPRING 25	1				
003		257308-5	RING 28	1				
004		454330-5	CHUCK COVER	1				
005		262167-4	RUBBER RING 30	1				
006		326272-2	CHUCK RING	1				
007		454331-3	RELEASE COVER	1				
008		346670-4	SPRING GUIDE	1				
009		234288-2	COMPRESSION SPRING 46	1				
010		346670-4	SPRING GUIDE	1				
011		213615-6	O RING 46	1				
012		922351-0	HEX. SOCKET HEAD BOLT M6X30	4				
013		141956-9	BARREL COMPLETE	1				
	C10	213246-1	O-RING 38 SA1004	1				
	C20	213490-0	OIL SEAL 32	1				
	C30	213492-6	O-RING 32	1				
014		454337-1	LOCK SLEEVE	1				
015		234290-5	RING SPRING 59	1				
016		213707-1	O RING 65	1				
017		267469-3	FLAT WASHER 32	1				
018		262168-2	RUBBER RING 32	1				
019		267469-3	FLAT WASHER 32	1				
020		310257-8	TOOL RETAINER	2				
021		326268-3	TOOL HOLDER	1				
022		213317-4	O RING 20	1				
023		213392-0	FLUORIDE RING 25	1				
024		213317-4	O RING 20	1				
025		213392-0	FLUORIDE RING 25	1				
026		326269-1	IMPACT BOLT	1				
027		326274-8	RING 17	1				
028		262166-6	RUBBER RING 18	1				
029		454347-8	SLIDE SLEEVE	1				
030		326270-6	STRIKER	1				
031		213695-2	O-RING 22	1				
032		234289-0	COMPRESSION SPRING 33	1				
033		346673-8	GUIDE RING	1				
034		256548-2	FLAT FILLISTER HEAD PIN 6	1				
035		346671-2	LINK PLATE	1				
036		313255-1	DRIVING SLEEVE	1				
037		257991-8	RETAINING RING (EXT) WR-32.5	1				
038		257340-9	RING 33	1				
039		267470-8	FLAT WASHER 33	1				
040		234287-4	COMPRESSION SPRING 34	1				
041		267470-8	FLAT WASHER 33	1				
042		332063-1	CYLINDER 28.5	1				
043		257991-8	RETAINING RING (EXT) WR-32.5	1				
044		213406-5	O RING 30	3				
045		256197-5	PIN 7	1				
046		419004-5	PISTON	1				
047		213379-2	O RING 21	1				
048		213695-2	O-RING 22	1				
049		454317-7	CONNECTING ROD	1				
050		424560-2	HOUSING CAP	1				
051		141957-7	HOUSING COVER A COMPLETE	1				
052		227613-4	SPIRAL BEVEL GEAR 26	1				
053		454342-8	SPRING PLATE	2				
054		234286-6	COMPRESSION SPRING 11	2				
055		326273-0	COUNTER WEIGHT	2				
056		234286-6	COMPRESSION SPRING 11	2				
057		213325-5	O RING 19	2				
058		142289-5	HOLDER COMPLETE	2				
059		265995-6	TAPPING SCREW 4X18	1				
060		454326-6	CHANGE LEVER	1				
061		318988-3	CRANK CAP COVER	1				
062		454339-7	CONTROL PLATE	1				

Interchange
 O : Yes
 X : No
 < : the new part can be substituted for the current.
 > : the current part can be substituted for the new.
 S : Interchangeable as a set.

HR4013C / 40MM ROTARY HAMMER

BT

Item	Sub	Parts No.	Parts Description	Qty	I/C	E/C No.	Close No.	Remark
063		454340-2	SLIDE PLATE	1				
064		234284-0	COMPRESSION SPRING 4	1				
065		454345-2	CRANK LEVER	1				
066		213262-3	O RING 18	1				
067		424556-3	FILTER CAP	1				
068		443182-9	FILTER	1				
069		454319-3	CRANK CAP	1				
070		911128-8	PAN HEAD SCREW M4X16	6				
071		424559-7	SEAL RING B	1				
072		232280-2	LEAF SPRING	1				
073		454318-5	LINK LEVER	1				
074		911511-9	PAN HEAD SCREW M4X10	1				
075		266041-8	TAPPING SCREW 5X25	4				
076		233603-7	TORSION SPRING 7	1				
077		454338-9	LINK GUIDE	1				
078		141953-5	CRANK HOUSING A COMPLETE	1				
079		126290-8	TORQUE LIMITER ASSEMBLY	1				
	D10		INC. 80-87					
080		254239-9	KEY 4	2				
081		227612-6	SPIRAL BEVEL GEAR 7	1				
082		211232-6	BALL BEARING 6002LLU	1				
083		141959-3	TORQUE LIMITER COMPLETE	1				
084		324727-1	SHOULDER WASHER 8	1				
085		210005-4	BALL BEARING 608DDW	1				
086		253215-0	FLAT WASHER 8	1				
087		961004-6	RETAINING RING S-8	1				
088		326271-4	CRANK SHAFT	1				
089		211332-2	BALL BEARING 6004LLU	1				
090		961060-6	RETAINING RING S-20	1				
091		227772-4	HELICAL GEAR 37	1				
093		253180-3	FLAT WASHER 10	1				
094		424558-9	SEAL RING A	1				
095		141955-1	GEAR HOUSING COMPLETE	1				
096		213231-4	OIL SEAL 15	1				
097		331596-3	SLEEVE 12	1				
098		211137-0	BALL BEARING 6201LLU	1				
099		253744-3	FLAT WASHER 12	1				
100		513888-4	ARMATURE ASS'Y 220-240V	1				
	D10		INC. 97,98,99,101,102					
101		681650-6	INSULATION WASHER	1				
102		210005-4	BALL BEARING 608DDW	1				
103		267721-9	WAVE WASHER 15	1				
104		266568-8	TAPPING SCREW 5X80	2				
105		454329-0	BAFFLE PLATE	1				
106		625758-6	FIELD 220-240V	1				
107		632A84-2	BRUSH HOLDE UNIT	1				
108		194160-9	CARBON BRUSH CB-350	1				
109		454348-6	GUARD 40	1				
110		265999-8	TAPPING SCREW 4X25	2				
111		454316-9	MOTOR HOUSING	1				
112		240146-2	FAN 76	1				
113		253047-5	FLAT WASHER 6	1				
114		931303-0	HEX. NUT M6	1				
115		454328-2	REAR COVER	1				
116		265995-6	TAPPING SCREW 4X18	2				
117		665977-2	POWER SUPPLY CORD 1.0-2-5.0	1				
118		682560-0	CORD GUARD 10	1				
119		419024-9	CORD CLAMP BASE	1				
120		265995-6	TAPPING SCREW 4X18	1				
121		687169-3	STRAIN RELIEF	1				
122		265995-6	TAPPING SCREW 4X18	1				
123		620200-2	CONTROLLER	1				
124		265995-6	TAPPING SCREW 4X18	1				
125		632B52-1	LEAD UNIT	1				
126		454346-0	LENS	1				

Interchange
 O : Yes
 X : No
 < : the new part can be substituted for the current.
 > : the current part can be substituted for the new.
 S : Interchangeable as a set.

HR4013C / 40MM ROTARY HAMMER

CA

Item	Sub	Parts No.	Parts Description	Qty	I/C	E/C No.	Close No.	Remark
001		286292-7	TOOL HOLDER CAP	1				
002		233948-3	RING SPRING 25	1				
003		257308-5	RING 28	1				
004		454330-5	CHUCK COVER	1				
005		262167-4	RUBBER RING 30	1				
006		326272-2	CHUCK RING	1				
007		454331-3	RELEASE COVER	1				
008		346670-4	SPRING GUIDE	1				
009		234288-2	COMPRESSION SPRING 46	1				
010		346670-4	SPRING GUIDE	1				
011		213615-6	O RING 46	1				
012		922351-0	HEX. SOCKET HEAD BOLT M6X30	4				
013		141956-9	BARREL COMPLETE	1				
	C10	213246-1	O-RING 38 SA1004	1				
	C20	213490-0	OIL SEAL 32	1				
	C30	213492-6	O-RING 32	1				
014		454337-1	LOCK SLEEVE	1				
015		234290-5	RING SPRING 59	1				
016		213707-1	O RING 65	1				
017		267469-3	FLAT WASHER 32	1				
018		262168-2	RUBBER RING 32	1				
019		267469-3	FLAT WASHER 32	1				
020		310257-8	TOOL RETAINER	2				
021		326268-3	TOOL HOLDER	1				
022		213317-4	O RING 20	1				
023		213392-0	FLUORIDE RING 25	1				
024		213317-4	O RING 20	1				
025		213392-0	FLUORIDE RING 25	1				
026		326269-1	IMPACT BOLT	1				
027		326274-8	RING 17	1				
028		262166-6	RUBBER RING 18	1				
029		454347-8	SLIDE SLEEVE	1				
030		326270-6	STRIKER	1				
031		213695-2	O-RING 22	1				
032		234289-0	COMPRESSION SPRING 33	1				
033		346673-8	GUIDE RING	1				
034		256548-2	FLAT FILLISTER HEAD PIN 6	1				
035		346671-2	LINK PLATE	1				
036		313255-1	DRIVING SLEEVE	1				
037		257991-8	RETAINING RING (EXT) WR-32.5	1				
038		257340-9	RING 33	1				
039		267470-8	FLAT WASHER 33	1				
040		234287-4	COMPRESSION SPRING 34	1				
041		267470-8	FLAT WASHER 33	1				
042		332063-1	CYLINDER 28.5	1				
043		257991-8	RETAINING RING (EXT) WR-32.5	1				
044		213406-5	O RING 30	3				
045		256197-5	PIN 7	1				
046		419004-5	PISTON	1				
047		213379-2	O RING 21	1				
048		213695-2	O-RING 22	1				
049		454317-7	CONNECTING ROD	1				
050		424560-2	HOUSING CAP	1				
051		141957-7	HOUSING COVER A COMPLETE	1				
052		227613-4	SPIRAL BEVEL GEAR 26	1				
053		454342-8	SPRING PLATE	2				
054		234286-6	COMPRESSION SPRING 11	2				
055		326273-0	COUNTER WEIGHT	2				
056		234286-6	COMPRESSION SPRING 11	2				
057		213325-5	O RING 19	2				
058		142289-5	HOLDER COMPLETE	2				
059		265995-6	TAPPING SCREW 4X18	1				
060		454326-6	CHANGE LEVER	1				
061		318988-3	CRANK CAP COVER	1				
062		454339-7	CONTROL PLATE	1				

A:HR4013C(L)
B:HR4013CV(L)

Interchange
O : Yes
X : No
< : the new part can be substituted for the current.
> : the current part can be substituted for the new.
S : Interchangeable as a set.

HR4013C / 40MM ROTARY HAMMER

CA

Item	Sub	Parts No.	Parts Description	Qty	I/C	E/C No.	Close No.	Remark
063		454340-2	SLIDE PLATE	1				
064		234284-0	COMPRESSION SPRING 4	1				
065		454345-2	CRANK LEVER	1				
066		213262-3	O RING 18	1				
067		424556-3	FILTER CAP	1				
068		443182-9	FILTER	1				
069		454319-3	CRANK CAP	1				
070		911128-8	PAN HEAD SCREW M4X16	6				
071		424559-7	SEAL RING B	1				
072		232280-2	LEAF SPRING	1				
073		454318-5	LINK LEVER	1				
074		911511-9	PAN HEAD SCREW M4X10	1				
075		266041-8	TAPPING SCREW 5X25	4				
076		233603-7	TORSION SPRING 7	1				
077		454338-9	LINK GUIDE	1				
078		141953-5	CRANK HOUSING A COMPLETE	1				
079		126290-8	TORQUE LIMITER ASSEMBLY	1				
	D10		INC. 80-87					
080		254239-9	KEY 4	2				
081		227612-6	SPIRAL BEVEL GEAR 7	1				
082		211232-6	BALL BEARING 6002LLU	1				
083		141959-3	TORQUE LIMITER COMPLETE	1				
084		324727-1	SHOULDER WASHER 8	1				
085		210005-4	BALL BEARING 608DDW	1				
086		253215-0	FLAT WASHER 8	1				
087		961004-6	RETAINING RING S-8	1				
088		326271-4	CRANK SHAFT	1				
089		211332-2	BALL BEARING 6004LLU	1				
090		961060-6	RETAINING RING S-20	1				
091		227772-4	HELICAL GEAR 37	1				
093		253180-3	FLAT WASHER 10	1				
094		424558-9	SEAL RING A	1				
095		141955-1	GEAR HOUSING COMPLETE	1				
096		213231-4	OIL SEAL 15	1				
097		331596-3	SLEEVE 12	1				
098		211137-0	BALL BEARING 6201LLU	1				
099		253744-3	FLAT WASHER 12	1				
100		513886-8	ARMATURE ASS'Y 115V	1				
	D10		INC. 97,98,99,101,102					
101		681650-6	INSULATION WASHER	1				
102		210005-4	BALL BEARING 608DDW	1				
103		267721-9	WAVE WASHER 15	1				
104		266568-8	TAPPING SCREW 5X80	2				
105		454329-0	BAFFLE PLATE	1				
106		625756-0	FIELD 115V	1				
107		632A84-2	BRUSH HOLDE UNIT	1			A7312	
107-1		632E31-7	BRUSH HOLDE UNIT	1	S	A7312		
108		195004-6	CARBON BRUSH SET CB-350	1			A7312	
108-1		197244-2	CARBON BRUSH CB-351	1	S	A7312		
109		454348-6	GUARD 40	1				
110		265999-8	TAPPING SCREW 4X25	2				
111		454316-9	MOTOR HOUSING	1				
112		240146-2	FAN 76	1				
113		253047-5	FLAT WASHER 6	1				
114		931303-0	HEX. NUT M6	1				
115		454328-2	REAR COVER	1				
116		265995-6	TAPPING SCREW 4X18	2				
117		664276-9	POWER SUPPLY CORD AWG#16-2-5.0	1				
118		682560-0	CORD GUARD 10	1				
119		419024-9	CORD CLAMP BASE	1				
120		265995-6	TAPPING SCREW 4X18	1				
121		687169-3	STRAIN RELIEF	1				
122		265995-6	TAPPING SCREW 4X18	1				
123		620199-1	CONTROLLER	1				
124		265995-6	TAPPING SCREW 4X18	1				

A:HR4013C(L)
B:HR4013CV(L)

Interchange
O : Yes
X : No
< : the new part can be substituted for the current.
> : the current part can be substituted for the new.
S : Interchangeable as a set.

HR4013C / 40MM ROTARY HAMMER



Item	Sub	Parts No.	Parts Description	Qty	I/C	E/C No.	Close No.	Remark
125		632B52-1	LEAD UNIT	1				
126		454346-0	LENS	1				
127		265999-8	TAPPING SCREW 4X25	2				
128		253194-2	FLAT WASHER 5	2				
129		257813-2	SLEEVE 9	2				
130		454320-8	HANDLE BASE	1				
131		266041-8	TAPPING SCREW 5X25	2				
132		814T16-7	HR4013C NAME PLATE	1				
133		454343-6	DUST SUPPORT A	1				
134		234283-2	COMPRESSION SPRING 18.5	2				
135		454344-4	DUST SUPPORT B	1				
136		424557-1	DUST COVER	1				
137		454321-6	HANDLE A	1				
138		265999-8	TAPPING SCREW 4X25	4				
139		454332-1	SWITCH LEVER A	1				
140		234285-8	COMPRESSION SPRING 7	1				
141		454327-4	SUB LEVER	1				
142		268309-8	PIN	1				
143		154626-1	SWITCH HOLDER COMPLETE	1				
144		650678-5	SWITCH C3PA-1121	1				
145		454323-2	HANDLE COVER	1				
146		265995-6	TAPPING SCREW 4X18	1				
147		234281-6	COMPRESSION SPRING 6	1				
148		632A83-4	SWITCH UNIT	1				
149		454336-3	SWITCH LEVER C	1				
150		187692-3	SWITCH CASE SET	1				
	D10		INC. 152					
151		911128-8	PAN HEAD SCREW M4X16	4				
152		187692-3	SWITCH CASE SET	1				
	D10		INC. 150					
153		234282-4	COMPRESSION SPRING 12	2				
A01		123138-5	SIDE GRIP ASSEMBLY	1				
A02		196792-8	SIDE HANDLE 73 SET	1				
	C20	801Y02-7	INDICATION LABEL	1				
A04A		141977-1	PLASTIC CARRYING CASE COMPLETE	1				
	C10	162271-8	LATCH	2				
A04B		196531-6	PLASTIC CASE SET	1				
	C10	837544-5	INNER TRAY	1				
	C30	162271-8	LATCH	2				
	C40	801Y03-5	INDICATION LABEL	1				
A05		331955-1	DEPTH GAUGE	1				
A06		443122-7	CLOTH	1				
A11B		123066-4	DEPTH GAUGE B ASSEMBLY	1				
A12B		162356-0	DUST COVER COMPLETE	1				
A13B		424472-9	DUST COVER CAP	2				
A14B		453115-6	JOINT	2				
A15B		453118-0	BELLOWS	2				
A16B		453674-0	JOINT 25	1				
A17B		454809-6	HOSE HOLDER C	1				

A:HR4013C(L)
B:HR4013CV(L)

Interchange
O : Yes
X : No
< : the new part can be substituted for the current.
> : the current part can be substituted for the new.
S : Interchangeable as a set.

HR4013C / 40MM ROTARY HAMMER

CH

Item	Sub	Parts No.	Parts Description	Qty	I/C	E/C No.	Close No.	Remark
001		286292-7	TOOL HOLDER CAP	1				
002		233948-3	RING SPRING 25	1				
003		257308-5	RING 28	1				
004		454330-5	CHUCK COVER	1				
005		262167-4	RUBBER RING 30	1				
006		326272-2	CHUCK RING	1				
007		454331-3	RELEASE COVER	1				
008		346670-4	SPRING GUIDE	1				
009		234288-2	COMPRESSION SPRING 46	1				
010		346670-4	SPRING GUIDE	1				
011		213615-6	O RING 46	1				
012		922351-0	HEX. SOCKET HEAD BOLT M6X30	4				
013		141956-9	BARREL COMPLETE	1				
	C10	213246-1	O-RING 38 SA1004	1				
	C20	213490-0	OIL SEAL 32	1				
	C30	213492-6	O-RING 32	1				
014		454337-1	LOCK SLEEVE	1				
015		234290-5	RING SPRING 59	1				
016		213707-1	O RING 65	1				
017		267469-3	FLAT WASHER 32	1				
018		262168-2	RUBBER RING 32	1				
019		267469-3	FLAT WASHER 32	1				
020		310257-8	TOOL RETAINER	2				
021		326268-3	TOOL HOLDER	1				
022		213317-4	O RING 20	1				
023		213392-0	FLUORIDE RING 25	1				
024		213317-4	O RING 20	1				
025		213392-0	FLUORIDE RING 25	1				
026		326269-1	IMPACT BOLT	1				
027		326274-8	RING 17	1				
028		262166-6	RUBBER RING 18	1				
029		454347-8	SLIDE SLEEVE	1				
030		326270-6	STRIKER	1				
031		213695-2	O-RING 22	1				
032		234289-0	COMPRESSION SPRING 33	1				
033		346673-8	GUIDE RING	1				
034		256548-2	FLAT FILLISTER HEAD PIN 6	1				
035		346671-2	LINK PLATE	1				
036		313255-1	DRIVING SLEEVE	1				
037		257991-8	RETAINING RING (EXT) WR-32.5	1				
038		257340-9	RING 33	1				
039		267470-8	FLAT WASHER 33	1				
040		234287-4	COMPRESSION SPRING 34	1				
041		267470-8	FLAT WASHER 33	1				
042		332063-1	CYLINDER 28.5	1				
043		257991-8	RETAINING RING (EXT) WR-32.5	1				
044		213406-5	O RING 30	3				
045		256197-5	PIN 7	1				
046		419004-5	PISTON	1				
047		213379-2	O RING 21	1				
048		213695-2	O-RING 22	1				
049		454317-7	CONNECTING ROD	1				
050		424560-2	HOUSING CAP	1				
051		141957-7	HOUSING COVER A COMPLETE	1				
052		227613-4	SPIRAL BEVEL GEAR 26	1				
053		454342-8	SPRING PLATE	2				
054		234286-6	COMPRESSION SPRING 11	2				
055		326273-0	COUNTER WEIGHT	2				
056		234286-6	COMPRESSION SPRING 11	2				
057		213325-5	O RING 19	2				
058		142289-5	HOLDER COMPLETE	2				
059		265995-6	TAPPING SCREW 4X18	1				
060		454326-6	CHANGE LEVER	1				
061		318988-3	CRANK CAP COVER	1				
062		454339-7	CONTROL PLATE	1				

A:HR4013C(H)
B:HR4013CV(H)

Interchange
O : Yes
X : No
< : the new part can be substituted for the current.
> : the current part can be substituted for the new.
S : Interchangeable as a set.

HR4013C / 40MM ROTARY HAMMER

CH

Item	Sub	Parts No.	Parts Description	Qty	I/C	E/C No.	Close No.	Remark
063		454340-2	SLIDE PLATE	1				
064		234284-0	COMPRESSION SPRING 4	1				
065		454345-2	CRANK LEVER	1				
066		213262-3	O RING 18	1				
067		424556-3	FILTER CAP	1				
068		443182-9	FILTER	1				
069		454319-3	CRANK CAP	1				
070		911128-8	PAN HEAD SCREW M4X16	6				
071		424559-7	SEAL RING B	1				
072		232280-2	LEAF SPRING	1				
073		454318-5	LINK LEVER	1				
074		911511-9	PAN HEAD SCREW M4X10	1				
075		266041-8	TAPPING SCREW 5X25	4				
076		233603-7	TORSION SPRING 7	1				
077		454338-9	LINK GUIDE	1				
078		141953-5	CRANK HOUSING A COMPLETE	1				
079		126290-8	TORQUE LIMITER ASSEMBLY	1				
	D10		INC. 80-87					
080		254239-9	KEY 4	2				
081		227612-6	SPIRAL BEVEL GEAR 7	1				
082		211232-6	BALL BEARING 6002LLU	1				
083		141959-3	TORQUE LIMITER COMPLETE	1				
084		324727-1	SHOULDER WASHER 8	1				
085		210005-4	BALL BEARING 608DDW	1				
086		253215-0	FLAT WASHER 8	1				
087		961004-6	RETAINING RING S-8	1				
088		326271-4	CRANK SHAFT	1				
089		211332-2	BALL BEARING 6004LLU	1				
090		961060-6	RETAINING RING S-20	1				
091		227772-4	HELICAL GEAR 37	1				
093		253180-3	FLAT WASHER 10	1				
094		424558-9	SEAL RING A	1				
095		141955-1	GEAR HOUSING COMPLETE	1				
096		213231-4	OIL SEAL 15	1				
097		331596-3	SLEEVE 12	1				
098		211137-0	BALL BEARING 6201LLU	1				
099		253744-3	FLAT WASHER 12	1				
100		513888-4	ARMATURE ASS'Y 220-240V	1				
	D10		INC. 97,98,99,101,102					
101		681650-6	INSULATION WASHER	1				
102		210005-4	BALL BEARING 608DDW	1				
103		267721-9	WAVE WASHER 15	1				
104		266568-8	TAPPING SCREW 5X80	2				
105		454329-0	BAFFLE PLATE	1				
106		625758-6	FIELD 220-240V	1				
107		632A84-2	BRUSH HOLDE UNIT	1				
108		194160-9	CARBON BRUSH CB-350	1				
109		454348-6	GUARD 40	1				
110		265999-8	TAPPING SCREW 4X25	2				
111		454316-9	MOTOR HOUSING	1				
112		240146-2	FAN 76	1				
113		253047-5	FLAT WASHER 6	1				
114		931303-0	HEX. NUT M6	1				
115		454328-2	REAR COVER	1				
116		265995-6	TAPPING SCREW 4X18	2				
117		695287-3	POWER SUPPLY CORD 1.0-2-4.0	1				
118		682560-0	CORD GUARD 10	1				
119		419024-9	CORD CLAMP BASE	1				
120		265995-6	TAPPING SCREW 4X18	1				
121		687169-3	STRAIN RELIEF	1				
122		265995-6	TAPPING SCREW 4X18	1				
123		620200-2	CONTROLLER	1				
124		265995-6	TAPPING SCREW 4X18	1				
125		632B52-1	LEAD UNIT	1				
126		454346-0	LENS	1				

A:HR4013C(H)
B:HR4013CV(H)

Interchange
O : Yes
X : No
< : the new part can be substituted for the current.
> : the current part can be substituted for the new.
S : Interchangeable as a set.

HR4013C / 40MM ROTARY HAMMER

CL

Item	Sub	Parts No.	Parts Description	Qty	I/C	E/C No.	Close No.	Remark
001		286292-7	TOOL HOLDER CAP	1				
002		233948-3	RING SPRING 25	1				
003		257308-5	RING 28	1				
004		454330-5	CHUCK COVER	1				
005		262167-4	RUBBER RING 30	1				
006		326272-2	CHUCK RING	1				
007		454331-3	RELEASE COVER	1				
008		346670-4	SPRING GUIDE	1				
009		234288-2	COMPRESSION SPRING 46	1				
010		346670-4	SPRING GUIDE	1				
011		213615-6	O RING 46	1				
012		922351-0	HEX. SOCKET HEAD BOLT M6X30	4				
013		141956-9	BARREL COMPLETE	1				
	C10	213246-1	O-RING 38 SA1004	1				
	C20	213490-0	OIL SEAL 32	1				
	C30	213492-6	O-RING 32	1				
014		454337-1	LOCK SLEEVE	1				
015		234290-5	RING SPRING 59	1				
016		213707-1	O RING 65	1				
017		267469-3	FLAT WASHER 32	1				
018		262168-2	RUBBER RING 32	1				
019		267469-3	FLAT WASHER 32	1				
020		310257-8	TOOL RETAINER	2				
021		326268-3	TOOL HOLDER	1				
022		213317-4	O RING 20	1				
023		213392-0	FLUORIDE RING 25	1				
024		213317-4	O RING 20	1				
025		213392-0	FLUORIDE RING 25	1				
026		326269-1	IMPACT BOLT	1				
027		326274-8	RING 17	1				
028		262166-6	RUBBER RING 18	1				
029		454347-8	SLIDE SLEEVE	1				
030		326270-6	STRIKER	1				
031		213695-2	O-RING 22	1				
032		234289-0	COMPRESSION SPRING 33	1				
033		346673-8	GUIDE RING	1				
034		256548-2	FLAT FILLISTER HEAD PIN 6	1				
035		346671-2	LINK PLATE	1				
036		313255-1	DRIVING SLEEVE	1				
037		257991-8	RETAINING RING (EXT) WR-32.5	1				
038		257340-9	RING 33	1				
039		267470-8	FLAT WASHER 33	1				
040		234287-4	COMPRESSION SPRING 34	1				
041		267470-8	FLAT WASHER 33	1				
042		332063-1	CYLINDER 28.5	1				
043		257991-8	RETAINING RING (EXT) WR-32.5	1				
044		213406-5	O RING 30	3				
045		256197-5	PIN 7	1				
046		419004-5	PISTON	1				
047		213379-2	O RING 21	1				
048		213695-2	O-RING 22	1				
049		454317-7	CONNECTING ROD	1				
050		424560-2	HOUSING CAP	1				
051		141957-7	HOUSING COVER A COMPLETE	1				
052		227613-4	SPIRAL BEVEL GEAR 26	1				
053		454342-8	SPRING PLATE	2				
054		234286-6	COMPRESSION SPRING 11	2				
055		326273-0	COUNTER WEIGHT	2				
056		234286-6	COMPRESSION SPRING 11	2				
057		213325-5	O RING 19	2				
058		142289-5	HOLDER COMPLETE	2				
059		265995-6	TAPPING SCREW 4X18	1				
060		454326-6	CHANGE LEVER	1				
061		318988-3	CRANK CAP COVER	1				
062		454339-7	CONTROL PLATE	1				

Interchange
 O : Yes
 X : No
 < : the new part can be substituted for the current.
 > : the current part can be substituted for the new.
 S : Interchangeable as a set.

HR4013C / 40MM ROTARY HAMMER

CL

Item	Sub	Parts No.	Parts Description	Qty	I/C	E/C No.	Close No.	Remark
063		454340-2	SLIDE PLATE	1				
064		234284-0	COMPRESSION SPRING 4	1				
065		454345-2	CRANK LEVER	1				
066		213262-3	O RING 18	1				
067		424556-3	FILTER CAP	1				
068		443182-9	FILTER	1				
069		454319-3	CRANK CAP	1				
070		911128-8	PAN HEAD SCREW M4X16	6				
071		424559-7	SEAL RING B	1				
072		232280-2	LEAF SPRING	1				
073		454318-5	LINK LEVER	1				
074		911511-9	PAN HEAD SCREW M4X10	1				
075		266041-8	TAPPING SCREW 5X25	4				
076		233603-7	TORSION SPRING 7	1				
077		454338-9	LINK GUIDE	1				
078		141953-5	CRANK HOUSING A COMPLETE	1				
079		126290-8	TORQUE LIMITER ASSEMBLY	1				
	D10		INC. 80-87					
080		254239-9	KEY 4	2				
081		227612-6	SPIRAL BEVEL GEAR 7	1				
082		211232-6	BALL BEARING 6002LLU	1				
083		141959-3	TORQUE LIMITER COMPLETE	1				
084		324727-1	SHOULDER WASHER 8	1				
085		210005-4	BALL BEARING 608DDW	1				
086		253215-0	FLAT WASHER 8	1				
087		961004-6	RETAINING RING S-8	1				
088		326271-4	CRANK SHAFT	1				
089		211332-2	BALL BEARING 6004LLU	1				
090		961060-6	RETAINING RING S-20	1				
091		227772-4	HELICAL GEAR 37	1				
093		253180-3	FLAT WASHER 10	1				
094		424558-9	SEAL RING A	1				
095		141955-1	GEAR HOUSING COMPLETE	1				
096		213231-4	OIL SEAL 15	1				
097		331596-3	SLEEVE 12	1				
098		211137-0	BALL BEARING 6201LLU	1				
099		253744-3	FLAT WASHER 12	1				
100		513888-4	ARMATURE ASS'Y 220-240V	1				
	D10		INC. 97,98,99,101,102					
101		681650-6	INSULATION WASHER	1				
102		210005-4	BALL BEARING 608DDW	1				
103		267721-9	WAVE WASHER 15	1				
104		266568-8	TAPPING SCREW 5X80	2				
105		454329-0	BAFFLE PLATE	1				
106		625758-6	FIELD 220-240V	1				
107		632A84-2	BRUSH HOLDE UNIT	1				
108		195004-6	CARBON BRUSH SET CB-350	1				
109		454348-6	GUARD 40	1				
110		265999-8	TAPPING SCREW 4X25	2				
111		454316-9	MOTOR HOUSING	1				
112		240146-2	FAN 76	1				
113		253047-5	FLAT WASHER 6	1				
114		931303-0	HEX. NUT M6	1				
115		454328-2	REAR COVER	1				
116		265995-6	TAPPING SCREW 4X18	2				
117		695107-1	POWER SUPPLY CORD 1.5-2-2.5	1				
118		682560-0	CORD GUARD 10	1				
119		419024-9	CORD CLAMP BASE	1				
120		265995-6	TAPPING SCREW 4X18	1				
121		687169-3	STRAIN RELIEF	1				
122		265995-6	TAPPING SCREW 4X18	1				
123		620200-2	CONTROLLER	1				
124		265995-6	TAPPING SCREW 4X18	1				
125		632B52-1	LEAD UNIT	1				
126		454346-0	LENS	1				

Interchange
 O : Yes
 X : No
 < : the new part can be substituted for the current.
 > : the current part can be substituted for the new.
 S : Interchangeable as a set.

HR4013C / 40MM ROTARY HAMMER

CN

Item	Sub	Parts No.	Parts Description	Qty	I/C	E/C No.	Close No.	Remark
001		286292-7	TOOL HOLDER CAP	1				
002		233948-3	RING SPRING 25	1				
003		257308-5	RING 28	1				
004		454330-5	CHUCK COVER	1				
005		262167-4	RUBBER RING 30	1				
006		326272-2	CHUCK RING	1				
007		454331-3	RELEASE COVER	1				
008		346670-4	SPRING GUIDE	1				
009		234288-2	COMPRESSION SPRING 46	1				
010		346670-4	SPRING GUIDE	1				
011		213615-6	O RING 46	1				
012		922351-0	HEX. SOCKET HEAD BOLT M6X30	4				
013		141956-9	BARREL COMPLETE	1				
	C10	213246-1	O-RING 38 SA1004	1				
	C20	213490-0	OIL SEAL 32	1				
	C30	213492-6	O-RING 32	1				
014		454337-1	LOCK SLEEVE	1				
015		234290-5	RING SPRING 59	1				
016		213707-1	O RING 65	1				
017		267469-3	FLAT WASHER 32	1				
018		262168-2	RUBBER RING 32	1				
019		267469-3	FLAT WASHER 32	1				
020		310257-8	TOOL RETAINER	2				
021		326268-3	TOOL HOLDER	1				
022		213317-4	O RING 20	1				
023		213392-0	FLUORIDE RING 25	1				
024		213317-4	O RING 20	1				
025		213392-0	FLUORIDE RING 25	1				
026		326269-1	IMPACT BOLT	1				
027		326274-8	RING 17	1				
028		262166-6	RUBBER RING 18	1				
029		454347-8	SLIDE SLEEVE	1				
030		326270-6	STRIKER	1				
031		213695-2	O-RING 22	1				
032		234289-0	COMPRESSION SPRING 33	1				
033		346673-8	GUIDE RING	1				
034		256548-2	FLAT FILLISTER HEAD PIN 6	1				
035		346671-2	LINK PLATE	1				
036		313255-1	DRIVING SLEEVE	1				
037		257991-8	RETAINING RING (EXT) WR-32.5	1				
038		257340-9	RING 33	1				
039		267470-8	FLAT WASHER 33	1				
040		234287-4	COMPRESSION SPRING 34	1				
041		267470-8	FLAT WASHER 33	1				
042		332063-1	CYLINDER 28.5	1				
043		257991-8	RETAINING RING (EXT) WR-32.5	1				
044		213406-5	O RING 30	3				
045		256197-5	PIN 7	1				
046		419004-5	PISTON	1				
047		213379-2	O RING 21	1				
048		213695-2	O-RING 22	1				
049		454317-7	CONNECTING ROD	1				
050		424560-2	HOUSING CAP	1				
051		142293-4	HOUSING COVER A COMPLETE	1				
	C10	810711-7	CAUTION LABEL	1				
052		227613-4	SPIRAL BEVEL GEAR 26	1				
053		454342-8	SPRING PLATE	2				
054		234286-6	COMPRESSION SPRING 11	2				
055		326273-0	COUNTER WEIGHT	2				
056		234286-6	COMPRESSION SPRING 11	2				
057		213325-5	O RING 19	2				
058		142289-5	HOLDER COMPLETE	2				
059		265995-6	TAPPING SCREW 4X18	1				
060		454326-6	CHANGE LEVER	1				
061		318988-3	CRANK CAP COVER	1				

Interchange
 O : Yes
 X : No
 < : the new part can be substituted for the current.
 > : the current part can be substituted for the new.
 S : Interchangeable as a set.

HR4013C / 40MM ROTARY HAMMER

CN

Item	Sub	Parts No.	Parts Description	Qty	I/C	E/C No.	Close No.	Remark
062		454339-7	CONTROL PLATE	1				
063		454340-2	SLIDE PLATE	1				
064		234284-0	COMPRESSION SPRING 4	1				
065		454345-2	CRANK LEVER	1				
066		213262-3	O RING 18	1				
067		424556-3	FILTER CAP	1				
068		443182-9	FILTER	1				
069		454319-3	CRANK CAP	1				
070		911128-8	PAN HEAD SCREW M4X16	6				
071		424559-7	SEAL RING B	1				
072		232280-2	LEAF SPRING	1				
073		454318-5	LINK LEVER	1				
074		911511-9	PAN HEAD SCREW M4X10	1				
075		266041-8	TAPPING SCREW 5X25	4				
076		233603-7	TORSION SPRING 7	1				
077		454338-9	LINK GUIDE	1				
078		141953-5	CRANK HOUSING A COMPLETE	1				
079		126290-8	TORQUE LIMITER ASSEMBLY	1				
	D10		INC. 80-87					
080		254239-9	KEY 4	2				
081		227612-6	SPIRAL BEVEL GEAR 7	1				
082		211232-6	BALL BEARING 6002LLU	1				
083		141959-3	TORQUE LIMITER COMPLETE	1				
084		324727-1	SHOULDER WASHER 8	1				
085		210005-4	BALL BEARING 608DDW	1				
086		253215-0	FLAT WASHER 8	1				
087		961004-6	RETAINING RING S-8	1				
088		326271-4	CRANK SHAFT	1				
089		211332-2	BALL BEARING 6004LLU	1				
090		961060-6	RETAINING RING S-20	1				
091		227772-4	HELICAL GEAR 37	1				
093		253180-3	FLAT WASHER 10	1				
094		424558-9	SEAL RING A	1				
095		141955-1	GEAR HOUSING COMPLETE	1				
096		213231-4	OIL SEAL 15	1				
097		331596-3	SLEEVE 12	1				
098		211137-0	BALL BEARING 6201LLU	1				
099		253744-3	FLAT WASHER 12	1				
100		513888-4	ARMATURE ASS'Y 220-240V	1				
	D10		INC. 97,98,99,101,102					
101		681650-6	INSULATION WASHER	1				
102		210005-4	BALL BEARING 608DDW	1				
103		267721-9	WAVE WASHER 15	1				
104		266568-8	TAPPING SCREW 5X80	2				
105		454329-0	BAFFLE PLATE	1				
106		625758-6	FIELD 220-240V	1				
107		632A84-2	BRUSH HOLDE UNIT	1				
108		194160-9	CARBON BRUSH CB-350	1				
109		454348-6	GUARD 40	1				
110		265999-8	TAPPING SCREW 4X25	2				
111		454316-9	MOTOR HOUSING	1				
112		240146-2	FAN 76	1				
113		253047-5	FLAT WASHER 6	1				
114		931303-0	HEX. NUT M6	1				
115		454328-2	REAR COVER	1				
116		265995-6	TAPPING SCREW 4X18	2				
117		694443-2	POWER SUPPLY CORD 1.0-2-5.0	1				
118		682560-0	CORD GUARD 10	1				
119		419024-9	CORD CLAMP BASE	1				
120		265995-6	TAPPING SCREW 4X18	1				
121		687169-3	STRAIN RELIEF	1				
122		265995-6	TAPPING SCREW 4X18	1				
123		620200-2	CONTROLLER	1				
124		265995-6	TAPPING SCREW 4X18	1				
125		632B52-1	LEAD UNIT	1				

Interchange
 O : Yes
 X : No
 < : the new part can be substituted for the current.
 > : the current part can be substituted for the new.
 S : Interchangeable as a set.

HR4013C / 40MM ROTARY HAMMER

CO

Item	Sub	Parts No.	Parts Description	Qty	I/C	E/C No.	Close No.	Remark
001		286292-7	TOOL HOLDER CAP	1				
002		233948-3	RING SPRING 25	1				
003		257308-5	RING 28	1				
004		454330-5	CHUCK COVER	1				
005		262167-4	RUBBER RING 30	1				
006		326272-2	CHUCK RING	1				
007		454331-3	RELEASE COVER	1				
008		346670-4	SPRING GUIDE	1				
009		234288-2	COMPRESSION SPRING 46	1				
010		346670-4	SPRING GUIDE	1				
011		213615-6	O RING 46	1				
012		922351-0	HEX. SOCKET HEAD BOLT M6X30	4				
013		141956-9	BARREL COMPLETE	1				
	C10	213246-1	O-RING 38 SA1004	1				
	C20	213490-0	OIL SEAL 32	1				
	C30	213492-6	O-RING 32	1				
014		454337-1	LOCK SLEEVE	1				
015		234290-5	RING SPRING 59	1				
016		213707-1	O RING 65	1				
017		267469-3	FLAT WASHER 32	1				
018		262168-2	RUBBER RING 32	1				
019		267469-3	FLAT WASHER 32	1				
020		310257-8	TOOL RETAINER	2				
021		326268-3	TOOL HOLDER	1				
022		213317-4	O RING 20	1				
023		213392-0	FLUORIDE RING 25	1				
024		213317-4	O RING 20	1				
025		213392-0	FLUORIDE RING 25	1				
026		326269-1	IMPACT BOLT	1				
027		326274-8	RING 17	1				
028		262166-6	RUBBER RING 18	1				
029		454347-8	SLIDE SLEEVE	1				
030		326270-6	STRIKER	1				
031		213695-2	O-RING 22	1				
032		234289-0	COMPRESSION SPRING 33	1				
033		346673-8	GUIDE RING	1				
034		256548-2	FLAT FILLISTER HEAD PIN 6	1				
035		346671-2	LINK PLATE	1				
036		313255-1	DRIVING SLEEVE	1				
037		257991-8	RETAINING RING (EXT) WR-32.5	1				
038		257340-9	RING 33	1				
039		267470-8	FLAT WASHER 33	1				
040		234287-4	COMPRESSION SPRING 34	1				
041		267470-8	FLAT WASHER 33	1				
042		332063-1	CYLINDER 28.5	1				
043		257991-8	RETAINING RING (EXT) WR-32.5	1				
044		213406-5	O RING 30	3				
045		256197-5	PIN 7	1				
046		419004-5	PISTON	1				
047		213379-2	O RING 21	1				
048		213695-2	O-RING 22	1				
049		454317-7	CONNECTING ROD	1				
050		424560-2	HOUSING CAP	1				
051		141957-7	HOUSING COVER A COMPLETE	1				
052		227613-4	SPIRAL BEVEL GEAR 26	1				
053		454342-8	SPRING PLATE	2				
054		234286-6	COMPRESSION SPRING 11	2				
055		326273-0	COUNTER WEIGHT	2				
056		234286-6	COMPRESSION SPRING 11	2				
057		213325-5	O RING 19	2				
058		142289-5	HOLDER COMPLETE	2				
059		265995-6	TAPPING SCREW 4X18	1				
060		454326-6	CHANGE LEVER	1				
061		318988-3	CRANK CAP COVER	1				
062		454339-7	CONTROL PLATE	1				

Interchange
O : Yes
X : No
< : the new part can be substituted for the current.
> : the current part can be substituted for the new.
S : Interchangeable as a set.

HR4013C / 40MM ROTARY HAMMER

CO

Item	Sub	Parts No.	Parts Description	Qty	I/C	E/C No.	Close No.	Remark
063		454340-2	SLIDE PLATE	1				
064		234284-0	COMPRESSION SPRING 4	1				
065		454345-2	CRANK LEVER	1				
066		213262-3	O RING 18	1				
067		424556-3	FILTER CAP	1				
068		443182-9	FILTER	1				
069		454319-3	CRANK CAP	1				
070		911128-8	PAN HEAD SCREW M4X16	6				
071		424559-7	SEAL RING B	1				
072		232280-2	LEAF SPRING	1				
073		454318-5	LINK LEVER	1				
074		911511-9	PAN HEAD SCREW M4X10	1				
075		266041-8	TAPPING SCREW 5X25	4				
076		233603-7	TORSION SPRING 7	1				
077		454338-9	LINK GUIDE	1				
078		141953-5	CRANK HOUSING A COMPLETE	1				
079		126290-8	TORQUE LIMITER ASSEMBLY	1				
	D10		INC. 80-87					
080		254239-9	KEY 4	2				
081		227612-6	SPIRAL BEVEL GEAR 7	1				
082		211232-6	BALL BEARING 6002LLU	1				
083		141959-3	TORQUE LIMITER COMPLETE	1				
084		324727-1	SHOULDER WASHER 8	1				
085		210005-4	BALL BEARING 608DDW	1				
086		253215-0	FLAT WASHER 8	1				
087		961004-6	RETAINING RING S-8	1				
088		326271-4	CRANK SHAFT	1				
089		211332-2	BALL BEARING 6004LLU	1				
090		961060-6	RETAINING RING S-20	1				
091		227772-4	HELICAL GEAR 37	1				
093		253180-3	FLAT WASHER 10	1				
094		424558-9	SEAL RING A	1				
095		141955-1	GEAR HOUSING COMPLETE	1				
096		213231-4	OIL SEAL 15	1				
097		331596-3	SLEEVE 12	1				
098		211137-0	BALL BEARING 6201LLU	1				
099		253744-3	FLAT WASHER 12	1				
100		513886-8	ARMATURE ASS'Y 115V	1				
	D10		INC. 97,98,99,101,102					
101		681650-6	INSULATION WASHER	1				
102		210005-4	BALL BEARING 608DDW	1				
103		267721-9	WAVE WASHER 15	1				
104		266568-8	TAPPING SCREW 5X80	2				
105		454329-0	BAFFLE PLATE	1				
106		625756-0	FIELD 115V	1				
107		632A84-2	BRUSH HOLDE UNIT	1			A7312	
107-1		632E31-7	BRUSH HOLDE UNIT	1	S	A7312		
108		195004-6	CARBON BRUSH SET CB-350	1			A7312	
108-1		197244-2	CARBON BRUSH CB-351	1	S	A7312		
109		454348-6	GUARD 40	1				
110		265999-8	TAPPING SCREW 4X25	2				
111		454316-9	MOTOR HOUSING	1				
112		240146-2	FAN 76	1				
113		253047-5	FLAT WASHER 6	1				
114		931303-0	HEX. NUT M6	1				
115		454328-2	REAR COVER	1				
116		265995-6	TAPPING SCREW 4X18	2				
117		664276-9	POWER SUPPLY CORD AWG#16-2-5.0	1				
118		682560-0	CORD GUARD 10	1				
119		419024-9	CORD CLAMP BASE	1				
120		265995-6	TAPPING SCREW 4X18	1				
121		687169-3	STRAIN RELIEF	1				
122		265995-6	TAPPING SCREW 4X18	1				
123		620199-1	CONTROLLER	1				
124		265995-6	TAPPING SCREW 4X18	1				

Interchange
 O : Yes
 X : No
 < : the new part can be substituted for the current.
 > : the current part can be substituted for the new.
 S : Interchangeable as a set.

HR4013C / 40MM ROTARY HAMMER

CY

Item	Sub	Parts No.	Parts Description	Qty	I/C	E/C No.	Close No.	Remark
001		286292-7	TOOL HOLDER CAP	1				
002		233948-3	RING SPRING 25	1				
003		257308-5	RING 28	1				
004		454330-5	CHUCK COVER	1				
005		262167-4	RUBBER RING 30	1				
006		326272-2	CHUCK RING	1				
007		454331-3	RELEASE COVER	1				
008		346670-4	SPRING GUIDE	1				
009		234288-2	COMPRESSION SPRING 46	1				
010		346670-4	SPRING GUIDE	1				
011		213615-6	O RING 46	1				
012		922351-0	HEX. SOCKET HEAD BOLT M6X30	4				
013		141956-9	BARREL COMPLETE	1				
	C10	213246-1	O-RING 38 SA1004	1				
	C20	213490-0	OIL SEAL 32	1				
	C30	213492-6	O-RING 32	1				
014		454337-1	LOCK SLEEVE	1				
015		234290-5	RING SPRING 59	1				
016		213707-1	O RING 65	1				
017		267469-3	FLAT WASHER 32	1				
018		262168-2	RUBBER RING 32	1				
019		267469-3	FLAT WASHER 32	1				
020		310257-8	TOOL RETAINER	2				
021		326268-3	TOOL HOLDER	1				
022		213317-4	O RING 20	1				
023		213392-0	FLUORIDE RING 25	1				
024		213317-4	O RING 20	1				
025		213392-0	FLUORIDE RING 25	1				
026		326269-1	IMPACT BOLT	1				
027		326274-8	RING 17	1				
028		262166-6	RUBBER RING 18	1				
029		454347-8	SLIDE SLEEVE	1				
030		326270-6	STRIKER	1				
031		213695-2	O-RING 22	1				
032		234289-0	COMPRESSION SPRING 33	1				
033		346673-8	GUIDE RING	1				
034		256548-2	FLAT FILLISTER HEAD PIN 6	1				
035		346671-2	LINK PLATE	1				
036		313255-1	DRIVING SLEEVE	1				
037		257991-8	RETAINING RING (EXT) WR-32.5	1				
038		257340-9	RING 33	1				
039		267470-8	FLAT WASHER 33	1				
040		234287-4	COMPRESSION SPRING 34	1				
041		267470-8	FLAT WASHER 33	1				
042		332063-1	CYLINDER 28.5	1				
043		257991-8	RETAINING RING (EXT) WR-32.5	1				
044		213406-5	O RING 30	3				
045		256197-5	PIN 7	1				
046		419004-5	PISTON	1				
047		213379-2	O RING 21	1				
048		213695-2	O-RING 22	1				
049		454317-7	CONNECTING ROD	1				
050		424560-2	HOUSING CAP	1				
051		141957-7	HOUSING COVER A COMPLETE	1				
052		227613-4	SPIRAL BEVEL GEAR 26	1				
053		454342-8	SPRING PLATE	2				
054		234286-6	COMPRESSION SPRING 11	2				
055		326273-0	COUNTER WEIGHT	2				
056		234286-6	COMPRESSION SPRING 11	2				
057		213325-5	O RING 19	2				
058		142289-5	HOLDER COMPLETE	2				
059		265995-6	TAPPING SCREW 4X18	1				
060		454326-6	CHANGE LEVER	1				
061		318988-3	CRANK CAP COVER	1				
062		454339-7	CONTROL PLATE	1				

A:HR4013C(H)
Z:HR4013C(H)

Interchange
O : Yes
X : No
< : the new part can be substituted for the current.
> : the current part can be substituted for the new.
S : Interchangeable as a set.

HR4013C / 40MM ROTARY HAMMER

CY

Item	Sub	Parts No.	Parts Description	Qty	I/C	E/C No.	Close No.	Remark
063		454340-2	SLIDE PLATE	1				
064		234284-0	COMPRESSION SPRING 4	1				
065		454345-2	CRANK LEVER	1				
066		213262-3	O RING 18	1				
067		424556-3	FILTER CAP	1				
068		443182-9	FILTER	1				
069		454319-3	CRANK CAP	1				
070		911128-8	PAN HEAD SCREW M4X16	6				
071		424559-7	SEAL RING B	1				
072		232280-2	LEAF SPRING	1				
073		454318-5	LINK LEVER	1				
074		911511-9	PAN HEAD SCREW M4X10	1				
075		266041-8	TAPPING SCREW 5X25	4				
076		233603-7	TORSION SPRING 7	1				
077		454338-9	LINK GUIDE	1				
078		141953-5	CRANK HOUSING A COMPLETE	1				
079		126290-8	TORQUE LIMITER ASSEMBLY	1				
	D10		INC. 80-87					
080		254239-9	KEY 4	2				
081		227612-6	SPIRAL BEVEL GEAR 7	1				
082		211232-6	BALL BEARING 6002LLU	1				
083		141959-3	TORQUE LIMITER COMPLETE	1				
084		324727-1	SHOULDER WASHER 8	1				
085		210005-4	BALL BEARING 608DDW	1				
086		253215-0	FLAT WASHER 8	1				
087		961004-6	RETAINING RING S-8	1				
088		326271-4	CRANK SHAFT	1				
089		211332-2	BALL BEARING 6004LLU	1				
090		961060-6	RETAINING RING S-20	1				
091		227772-4	HELICAL GEAR 37	1				
093		253180-3	FLAT WASHER 10	1				
094		424558-9	SEAL RING A	1				
095		141955-1	GEAR HOUSING COMPLETE	1				
096		213231-4	OIL SEAL 15	1				
097		331596-3	SLEEVE 12	1				
098		211137-0	BALL BEARING 6201LLU	1				
099		253744-3	FLAT WASHER 12	1				
100		513888-4	ARMATURE ASS'Y 220-240V	1				
	D10		INC. 97,98,99,101,102					
101		681650-6	INSULATION WASHER	1				
102		210005-4	BALL BEARING 608DDW	1				
103		267721-9	WAVE WASHER 15	1				
104		266568-8	TAPPING SCREW 5X80	2				
105		454329-0	BAFFLE PLATE	1				
106		625758-6	FIELD 220-240V	1				
107		632A84-2	BRUSH HOLDE UNIT	1				
108		194160-9	CARBON BRUSH CB-350	1				
109		454348-6	GUARD 40	1				
110		265999-8	TAPPING SCREW 4X25	2				
111		454316-9	MOTOR HOUSING	1				
112		240146-2	FAN 76	1				
113		253047-5	FLAT WASHER 6	1				
114		931303-0	HEX. NUT M6	1				
115		454328-2	REAR COVER	1				
116		265995-6	TAPPING SCREW 4X18	2				
117A		692637-3	POWER SUPPLY CORD 1.5-2-5.0	1				
117Z		695123-3	POWER SUPPLY CORD 1.5-2-4.0	1				
118		682560-0	CORD GUARD 10	1				
119		419024-9	CORD CLAMP BASE	1				
120		265995-6	TAPPING SCREW 4X18	1				
121		687169-3	STRAIN RELIEF	1				
122		265995-6	TAPPING SCREW 4X18	1				
123		620200-2	CONTROLLER	1				
124		265995-6	TAPPING SCREW 4X18	1				
125		632B52-1	LEAD UNIT	1				

A:HR4013C(H)
Z:HR4013C(H)

Interchange

O : Yes

X : No

< : the new part can be substituted for the current.

> : the current part can be substituted for the new.

S : Interchangeable as a set.

HR4013C / 40MM ROTARY HAMMER

CY

Item	Sub	Parts No.	Parts Description	Qty	I/C	E/C No.	Close No.	Remark
126		454346-0	LENS	1				
127		265999-8	TAPPING SCREW 4X25	2				
128		253194-2	FLAT WASHER 5	2				
129		257813-2	SLEEVE 9	2				
130		454320-8	HANDLE BASE	1				
131		266041-8	TAPPING SCREW 5X25	2				
132		814T16-7	HR4013C NAME PLATE	1				
133		454343-6	DUST SUPPORT A	1				
134		234283-2	COMPRESSION SPRING 18.5	2				
135		454344-4	DUST SUPPORT B	1				
136		424557-1	DUST COVER	1				
137		454321-6	HANDLE A	1				
138		265999-8	TAPPING SCREW 4X25	4				
139		454332-1	SWITCH LEVER A	1				
140		234285-8	COMPRESSION SPRING 7	1				
141		454327-4	SUB LEVER	1				
142		268309-8	PIN	1				
143		154626-1	SWITCH HOLDER COMPLETE	1				
144		650678-5	SWITCH C3PA-1121	1				
145		454323-2	HANDLE COVER	1				
146		265995-6	TAPPING SCREW 4X18	1				
147		234281-6	COMPRESSION SPRING 6	1				
148		632A83-4	SWITCH UNIT	1				
149		454336-3	SWITCH LEVER C	1				
150		187692-3	SWITCH CASE SET	1				
	D10		INC. 152					
151		911128-8	PAN HEAD SCREW M4X16	4				
152		187692-3	SWITCH CASE SET	1				
	D10		INC. 150					
153		234282-4	COMPRESSION SPRING 12	2				
A01		123138-5	SIDE GRIP ASSEMBLY	1				
A02		196792-8	SIDE HANDLE 73 SET	1				
A03		194683-7	GREASE VESSEL SET	1				
A04		196278-2	PLASTIC CASE SET	1				
	C10	837544-5	INNER TRAY	1				
	C20	801Y02-7	INDICATION LABEL	1				
	C30	162271-8	LATCH	2				
A05		331955-1	DEPTH GAUGE	1				
A06		443122-7	CLOTH	1				

A:HR4013C(H)
 Z:HR4013C(H)

Interchange
 O : Yes
 X : No
 < : the new part can be substituted for the current.
 > : the current part can be substituted for the new.
 S : Interchangeable as a set.

HR4013C / 40MM ROTARY HAMMER

DE

Item	Sub	Parts No.	Parts Description	Qty	I/C	E/C No.	Close No.	Remark
001		286292-7	TOOL HOLDER CAP	1				
002		233948-3	RING SPRING 25	1				
003		257308-5	RING 28	1				
004		454330-5	CHUCK COVER	1				
005		262167-4	RUBBER RING 30	1				
006		326272-2	CHUCK RING	1				
007		454331-3	RELEASE COVER	1				
008		346670-4	SPRING GUIDE	1				
009		234288-2	COMPRESSION SPRING 46	1				
010		346670-4	SPRING GUIDE	1				
011		213615-6	O RING 46	1				
012		922351-0	HEX. SOCKET HEAD BOLT M6X30	4				
013		141956-9	BARREL COMPLETE	1				
	C10	213246-1	O-RING 38 SA1004	1				
	C20	213490-0	OIL SEAL 32	1				
	C30	213492-6	O-RING 32	1				
014		454337-1	LOCK SLEEVE	1				
015		234290-5	RING SPRING 59	1				
016		213707-1	O RING 65	1				
017		267469-3	FLAT WASHER 32	1				
018		262168-2	RUBBER RING 32	1				
019		267469-3	FLAT WASHER 32	1				
020		310257-8	TOOL RETAINER	2				
021		326268-3	TOOL HOLDER	1				
022		213317-4	O RING 20	1				
023		213392-0	FLUORIDE RING 25	1				
024		213317-4	O RING 20	1				
025		213392-0	FLUORIDE RING 25	1				
026		326269-1	IMPACT BOLT	1				
027		326274-8	RING 17	1				
028		262166-6	RUBBER RING 18	1				
029		454347-8	SLIDE SLEEVE	1				
030		326270-6	STRIKER	1				
031		213695-2	O-RING 22	1				
032		234289-0	COMPRESSION SPRING 33	1				
033		346673-8	GUIDE RING	1				
034		256548-2	FLAT FILLISTER HEAD PIN 6	1				
035		346671-2	LINK PLATE	1				
036		313255-1	DRIVING SLEEVE	1				
037		257991-8	RETAINING RING (EXT) WR-32.5	1				
038		257340-9	RING 33	1				
039		267470-8	FLAT WASHER 33	1				
040		234287-4	COMPRESSION SPRING 34	1				
041		267470-8	FLAT WASHER 33	1				
042		332063-1	CYLINDER 28.5	1				
043		257991-8	RETAINING RING (EXT) WR-32.5	1				
044		213406-5	O RING 30	3				
045		256197-5	PIN 7	1				
046		419004-5	PISTON	1				
047		213379-2	O RING 21	1				
048		213695-2	O-RING 22	1				
049		454317-7	CONNECTING ROD	1				
050		424560-2	HOUSING CAP	1				
051		141957-7	HOUSING COVER A COMPLETE	1				
052		227613-4	SPIRAL BEVEL GEAR 26	1				
053		454342-8	SPRING PLATE	2				
054		234286-6	COMPRESSION SPRING 11	2				
055		326273-0	COUNTER WEIGHT	2				
056		234286-6	COMPRESSION SPRING 11	2				
057		213325-5	O RING 19	2				
058		142289-5	HOLDER COMPLETE	2				
059		265995-6	TAPPING SCREW 4X18	1				
060		454326-6	CHANGE LEVER	1				
061		318988-3	CRANK CAP COVER	1				
062		454339-7	CONTROL PLATE	1				

Interchange
O : Yes
X : No
< : the new part can be substituted for the current.
> : the current part can be substituted for the new.
S : Interchangeable as a set.

HR4013C / 40MM ROTARY HAMMER

DE

Item	Sub	Parts No.	Parts Description	Qty	I/C	E/C No.	Close No.	Remark
063		454340-2	SLIDE PLATE	1				
064		234284-0	COMPRESSION SPRING 4	1				
065		454345-2	CRANK LEVER	1				
066		213262-3	O RING 18	1				
067		424556-3	FILTER CAP	1				
068		443182-9	FILTER	1				
069		454319-3	CRANK CAP	1				
070		911128-8	PAN HEAD SCREW M4X16	6				
071		424559-7	SEAL RING B	1				
072		232280-2	LEAF SPRING	1				
073		454318-5	LINK LEVER	1				
074		911511-9	PAN HEAD SCREW M4X10	1				
075		266041-8	TAPPING SCREW 5X25	4				
076		233603-7	TORSION SPRING 7	1				
077		454338-9	LINK GUIDE	1				
078		141953-5	CRANK HOUSING A COMPLETE	1				
079		126290-8	TORQUE LIMITER ASSEMBLY	1				
	D10		INC. 80-87					
080		254239-9	KEY 4	2				
081		227612-6	SPIRAL BEVEL GEAR 7	1				
082		211232-6	BALL BEARING 6002LLU	1				
083		141959-3	TORQUE LIMITER COMPLETE	1				
084		324727-1	SHOULDER WASHER 8	1				
085		210005-4	BALL BEARING 608DDW	1				
086		253215-0	FLAT WASHER 8	1				
087		961004-6	RETAINING RING S-8	1				
088		326271-4	CRANK SHAFT	1				
089		211332-2	BALL BEARING 6004LLU	1				
090		961060-6	RETAINING RING S-20	1				
091		227772-4	HELICAL GEAR 37	1				
093		253180-3	FLAT WASHER 10	1				
094		424558-9	SEAL RING A	1				
095		141955-1	GEAR HOUSING COMPLETE	1				
096		213231-4	OIL SEAL 15	1				
097		331596-3	SLEEVE 12	1				
098		211137-0	BALL BEARING 6201LLU	1				
099		253744-3	FLAT WASHER 12	1				
100		513888-4	ARMATURE ASS'Y 220-240V	1				
	D10		INC. 97,98,99,101,102					
101		681650-6	INSULATION WASHER	1				
102		210005-4	BALL BEARING 608DDW	1				
103		267721-9	WAVE WASHER 15	1				
104		266568-8	TAPPING SCREW 5X80	2				
105		454329-0	BAFFLE PLATE	1				
106		625758-6	FIELD 220-240V	1				
107		632A84-2	BRUSH HOLDE UNIT	1				
108		194160-9	CARBON BRUSH CB-350	1				
109		454348-6	GUARD 40	1				
110		265999-8	TAPPING SCREW 4X25	2				
111		454316-9	MOTOR HOUSING	1				
112		240146-2	FAN 76	1				
113		253047-5	FLAT WASHER 6	1				
114		931303-0	HEX. NUT M6	1				
115		454328-2	REAR COVER	1				
116		265995-6	TAPPING SCREW 4X18	2				
117		695123-3	POWER SUPPLY CORD 1.5-2-4.0	1				
118		682560-0	CORD GUARD 10	1				
119		419024-9	CORD CLAMP BASE	1				
120		265995-6	TAPPING SCREW 4X18	1				
121		687169-3	STRAIN RELIEF	1				
122		265995-6	TAPPING SCREW 4X18	1				
123		620200-2	CONTROLLER	1				
124		265995-6	TAPPING SCREW 4X18	1				
125		632B52-1	LEAD UNIT	1				
126		454346-0	LENS	1				

Interchange
O : Yes
X : No
< : the new part can be substituted for the current.
> : the current part can be substituted for the new.
S : Interchangeable as a set.

HR4013C / 40MM ROTARY HAMMER

DM

Item	Sub	Parts No.	Parts Description	Qty	I/C	E/C No.	Close No.	Remark
001		286292-7	TOOL HOLDER CAP	1				
002		233948-3	RING SPRING 25	1				
003		257308-5	RING 28	1				
004		454330-5	CHUCK COVER	1				
005		262167-4	RUBBER RING 30	1				
006		326272-2	CHUCK RING	1				
007		454331-3	RELEASE COVER	1				
008		346670-4	SPRING GUIDE	1				
009		234288-2	COMPRESSION SPRING 46	1				
010		346670-4	SPRING GUIDE	1				
011		213615-6	O RING 46	1				
012		922351-0	HEX. SOCKET HEAD BOLT M6X30	4				
013		141956-9	BARREL COMPLETE	1				
	C10	213246-1	O-RING 38 SA1004	1				
	C20	213490-0	OIL SEAL 32	1				
	C30	213492-6	O-RING 32	1				
014		454337-1	LOCK SLEEVE	1				
015		234290-5	RING SPRING 59	1				
016		213707-1	O RING 65	1				
017		267469-3	FLAT WASHER 32	1				
018		262168-2	RUBBER RING 32	1				
019		267469-3	FLAT WASHER 32	1				
020		310257-8	TOOL RETAINER	2				
021		326268-3	TOOL HOLDER	1				
022		213317-4	O RING 20	1				
023		213392-0	FLUORIDE RING 25	1				
024		213317-4	O RING 20	1				
025		213392-0	FLUORIDE RING 25	1				
026		326269-1	IMPACT BOLT	1				
027		326274-8	RING 17	1				
028		262166-6	RUBBER RING 18	1				
029		454347-8	SLIDE SLEEVE	1				
030		326270-6	STRIKER	1				
031		213695-2	O-RING 22	1				
032		234289-0	COMPRESSION SPRING 33	1				
033		346673-8	GUIDE RING	1				
034		256548-2	FLAT FILLISTER HEAD PIN 6	1				
035		346671-2	LINK PLATE	1				
036		313255-1	DRIVING SLEEVE	1				
037		257991-8	RETAINING RING (EXT) WR-32.5	1				
038		257340-9	RING 33	1				
039		267470-8	FLAT WASHER 33	1				
040		234287-4	COMPRESSION SPRING 34	1				
041		267470-8	FLAT WASHER 33	1				
042		332063-1	CYLINDER 28.5	1				
043		257991-8	RETAINING RING (EXT) WR-32.5	1				
044		213406-5	O RING 30	3				
045		256197-5	PIN 7	1				
046		419004-5	PISTON	1				
047		213379-2	O RING 21	1				
048		213695-2	O-RING 22	1				
049		454317-7	CONNECTING ROD	1				
050		424560-2	HOUSING CAP	1				
051		141957-7	HOUSING COVER A COMPLETE	1				
052		227613-4	SPIRAL BEVEL GEAR 26	1				
053		454342-8	SPRING PLATE	2				
054		234286-6	COMPRESSION SPRING 11	2				
055		326273-0	COUNTER WEIGHT	2				
056		234286-6	COMPRESSION SPRING 11	2				
057		213325-5	O RING 19	2				
058		142289-5	HOLDER COMPLETE	2				
059		265995-6	TAPPING SCREW 4X18	1				
060		454326-6	CHANGE LEVER	1				
061		318988-3	CRANK CAP COVER	1				
062		454339-7	CONTROL PLATE	1				

Interchange
 O : Yes
 X : No
 < : the new part can be substituted for the current.
 > : the current part can be substituted for the new.
 S : Interchangeable as a set.

HR4013C / 40MM ROTARY HAMMER

DM

Item	Sub	Parts No.	Parts Description	Qty	I/C	E/C No.	Close No.	Remark
063		454340-2	SLIDE PLATE	1				
064		234284-0	COMPRESSION SPRING 4	1				
065		454345-2	CRANK LEVER	1				
066		213262-3	O RING 18	1				
067		424556-3	FILTER CAP	1				
068		443182-9	FILTER	1				
069		454319-3	CRANK CAP	1				
070		911128-8	PAN HEAD SCREW M4X16	6				
071		424559-7	SEAL RING B	1				
072		232280-2	LEAF SPRING	1				
073		454318-5	LINK LEVER	1				
074		911511-9	PAN HEAD SCREW M4X10	1				
075		266041-8	TAPPING SCREW 5X25	4				
076		233603-7	TORSION SPRING 7	1				
077		454338-9	LINK GUIDE	1				
078		141953-5	CRANK HOUSING A COMPLETE	1				
079		126290-8	TORQUE LIMITER ASSEMBLY	1				
	D10		INC. 80-87					
080		254239-9	KEY 4	2				
081		227612-6	SPIRAL BEVEL GEAR 7	1				
082		211232-6	BALL BEARING 6002LLU	1				
083		141959-3	TORQUE LIMITER COMPLETE	1				
084		324727-1	SHOULDER WASHER 8	1				
085		210005-4	BALL BEARING 608DDW	1				
086		253215-0	FLAT WASHER 8	1				
087		961004-6	RETAINING RING S-8	1				
088		326271-4	CRANK SHAFT	1				
089		211332-2	BALL BEARING 6004LLU	1				
090		961060-6	RETAINING RING S-20	1				
091		227772-4	HELICAL GEAR 37	1				
093		253180-3	FLAT WASHER 10	1				
094		424558-9	SEAL RING A	1				
095		141955-1	GEAR HOUSING COMPLETE	1				
096		213231-4	OIL SEAL 15	1				
097		331596-3	SLEEVE 12	1				
098		211137-0	BALL BEARING 6201LLU	1				
099		253744-3	FLAT WASHER 12	1				
100		513888-4	ARMATURE ASS'Y 220-240V	1				
	D10		INC. 97,98,99,101,102					
101		681650-6	INSULATION WASHER	1				
102		210005-4	BALL BEARING 608DDW	1				
103		267721-9	WAVE WASHER 15	1				
104		266568-8	TAPPING SCREW 5X80	2				
105		454329-0	BAFFLE PLATE	1				
106		625758-6	FIELD 220-240V	1				
107		632A84-2	BRUSH HOLDE UNIT	1				
108		195004-6	CARBON BRUSH SET CB-350	1				
109		454348-6	GUARD 40	1				
110		265999-8	TAPPING SCREW 4X25	2				
111		454316-9	MOTOR HOUSING	1				
112		240146-2	FAN 76	1				
113		253047-5	FLAT WASHER 6	1				
114		931303-0	HEX. NUT M6	1				
115		454328-2	REAR COVER	1				
116		265995-6	TAPPING SCREW 4X18	2				
117		695123-3	POWER SUPPLY CORD 1.5-2-4.0	1				
118		682560-0	CORD GUARD 10	1				
119		419024-9	CORD CLAMP BASE	1				
120		265995-6	TAPPING SCREW 4X18	1				
121		687169-3	STRAIN RELIEF	1				
122		265995-6	TAPPING SCREW 4X18	1				
123		620200-2	CONTROLLER	1				
124		265995-6	TAPPING SCREW 4X18	1				
125		632B52-1	LEAD UNIT	1				
126		454346-0	LENS	1				

Interchange
 O : Yes
 X : No
 < : the new part can be substituted for the current.
 > : the current part can be substituted for the new.
 S : Interchangeable as a set.

HR4013C / 40MM ROTARY HAMMER

ES

Item	Sub	Parts No.	Parts Description	Qty	I/C	E/C No.	Close No.	Remark
001		286292-7	TOOL HOLDER CAP	1				
002		233948-3	RING SPRING 25	1				
003		257308-5	RING 28	1				
004		454330-5	CHUCK COVER	1				
005		262167-4	RUBBER RING 30	1				
006		326272-2	CHUCK RING	1				
007		454331-3	RELEASE COVER	1				
008		346670-4	SPRING GUIDE	1				
009		234288-2	COMPRESSION SPRING 46	1				
010		346670-4	SPRING GUIDE	1				
011		213615-6	O RING 46	1				
012		922351-0	HEX. SOCKET HEAD BOLT M6X30	4				
013		141956-9	BARREL COMPLETE	1				
	C10	213246-1	O-RING 38 SA1004	1				
	C20	213490-0	OIL SEAL 32	1				
	C30	213492-6	O-RING 32	1				
014		454337-1	LOCK SLEEVE	1				
015		234290-5	RING SPRING 59	1				
016		213707-1	O RING 65	1				
017		267469-3	FLAT WASHER 32	1				
018		262168-2	RUBBER RING 32	1				
019		267469-3	FLAT WASHER 32	1				
020		310257-8	TOOL RETAINER	2				
021		326268-3	TOOL HOLDER	1				
022		213317-4	O RING 20	1				
023		213392-0	FLUORIDE RING 25	1				
024		213317-4	O RING 20	1				
025		213392-0	FLUORIDE RING 25	1				
026		326269-1	IMPACT BOLT	1				
027		326274-8	RING 17	1				
028		262166-6	RUBBER RING 18	1				
029		454347-8	SLIDE SLEEVE	1				
030		326270-6	STRIKER	1				
031		213695-2	O-RING 22	1				
032		234289-0	COMPRESSION SPRING 33	1				
033		346673-8	GUIDE RING	1				
034		256548-2	FLAT FILLISTER HEAD PIN 6	1				
035		346671-2	LINK PLATE	1				
036		313255-1	DRIVING SLEEVE	1				
037		257991-8	RETAINING RING (EXT) WR-32.5	1				
038		257340-9	RING 33	1				
039		267470-8	FLAT WASHER 33	1				
040		234287-4	COMPRESSION SPRING 34	1				
041		267470-8	FLAT WASHER 33	1				
042		332063-1	CYLINDER 28.5	1				
043		257991-8	RETAINING RING (EXT) WR-32.5	1				
044		213406-5	O RING 30	3				
045		256197-5	PIN 7	1				
046		419004-5	PISTON	1				
047		213379-2	O RING 21	1				
048		213695-2	O-RING 22	1				
049		454317-7	CONNECTING ROD	1				
050		424560-2	HOUSING CAP	1				
051		141957-7	HOUSING COVER A COMPLETE	1				
052		227613-4	SPIRAL BEVEL GEAR 26	1				
053		454342-8	SPRING PLATE	2				
054		234286-6	COMPRESSION SPRING 11	2				
055		326273-0	COUNTER WEIGHT	2				
056		234286-6	COMPRESSION SPRING 11	2				
057		213325-5	O RING 19	2				
058		142289-5	HOLDER COMPLETE	2				
059		265995-6	TAPPING SCREW 4X18	1				
060		454326-6	CHANGE LEVER	1				
061		318988-3	CRANK CAP COVER	1				
062		454339-7	CONTROL PLATE	1				

A:HR4013C(H)
B:HR4013CV(H)

Interchange
O : Yes
X : No
< : the new part can be substituted for the current.
> : the current part can be substituted for the new.
S : Interchangeable as a set.

HR4013C / 40MM ROTARY HAMMER

ES

Item	Sub	Parts No.	Parts Description	Qty	I/C	E/C No.	Close No.	Remark
063		454340-2	SLIDE PLATE	1				
064		234284-0	COMPRESSION SPRING 4	1				
065		454345-2	CRANK LEVER	1				
066		213262-3	O RING 18	1				
067		424556-3	FILTER CAP	1				
068		443182-9	FILTER	1				
069		454319-3	CRANK CAP	1				
070		911128-8	PAN HEAD SCREW M4X16	6				
071		424559-7	SEAL RING B	1				
072		232280-2	LEAF SPRING	1				
073		454318-5	LINK LEVER	1				
074		911511-9	PAN HEAD SCREW M4X10	1				
075		266041-8	TAPPING SCREW 5X25	4				
076		233603-7	TORSION SPRING 7	1				
077		454338-9	LINK GUIDE	1				
078		141953-5	CRANK HOUSING A COMPLETE	1				
079		126290-8	TORQUE LIMITER ASSEMBLY	1				
	D10		INC. 80-87					
080		254239-9	KEY 4	2				
081		227612-6	SPIRAL BEVEL GEAR 7	1				
082		211232-6	BALL BEARING 6002LLU	1				
083		141959-3	TORQUE LIMITER COMPLETE	1				
084		324727-1	SHOULDER WASHER 8	1				
085		210005-4	BALL BEARING 608DDW	1				
086		253215-0	FLAT WASHER 8	1				
087		961004-6	RETAINING RING S-8	1				
088		326271-4	CRANK SHAFT	1				
089		211332-2	BALL BEARING 6004LLU	1				
090		961060-6	RETAINING RING S-20	1				
091		227772-4	HELICAL GEAR 37	1				
093		253180-3	FLAT WASHER 10	1				
094		424558-9	SEAL RING A	1				
095		141955-1	GEAR HOUSING COMPLETE	1				
096		213231-4	OIL SEAL 15	1				
097		331596-3	SLEEVE 12	1				
098		211137-0	BALL BEARING 6201LLU	1				
099		253744-3	FLAT WASHER 12	1				
100		513888-4	ARMATURE ASS'Y 220-240V	1				
	D10		INC. 97,98,99,101,102					
101		681650-6	INSULATION WASHER	1				
102		210005-4	BALL BEARING 608DDW	1				
103		267721-9	WAVE WASHER 15	1				
104		266568-8	TAPPING SCREW 5X80	2				
105		454329-0	BAFFLE PLATE	1				
106		625758-6	FIELD 220-240V	1				
107		632A84-2	BRUSH HOLDE UNIT	1				
108		194160-9	CARBON BRUSH CB-350	1				
109		454348-6	GUARD 40	1				
110		265999-8	TAPPING SCREW 4X25	2				
111		454316-9	MOTOR HOUSING	1				
112		240146-2	FAN 76	1				
113		253047-5	FLAT WASHER 6	1				
114		931303-0	HEX. NUT M6	1				
115		454328-2	REAR COVER	1				
116		265995-6	TAPPING SCREW 4X18	2				
117		695123-3	POWER SUPPLY CORD 1.5-2-4.0	1				
118		682560-0	CORD GUARD 10	1				
119		419024-9	CORD CLAMP BASE	1				
120		265995-6	TAPPING SCREW 4X18	1				
121		687169-3	STRAIN RELIEF	1				
122		265995-6	TAPPING SCREW 4X18	1				
123		620200-2	CONTROLLER	1				
124		265995-6	TAPPING SCREW 4X18	1				
125		632B52-1	LEAD UNIT	1				
126		454346-0	LENS	1				

A:HR4013C(H)
B:HR4013CV(H)

Interchange
O : Yes
X : No
< : the new part can be substituted for the current.
> : the current part can be substituted for the new.
S : Interchangeable as a set.

HR4013C / 40MM ROTARY HAMMER

ES

Item	Sub	Parts No.	Parts Description	Qty	I/C	E/C No.	Close No.	Remark
127		265999-8	TAPPING SCREW 4X25	2				
128		253194-2	FLAT WASHER 5	2				
129		257813-2	SLEEVE 9	2				
130		454320-8	HANDLE BASE	1				
131		266041-8	TAPPING SCREW 5X25	2				
132		814T16-7	HR4013C NAME PLATE	1				
133		454343-6	DUST SUPPORT A	1				
134		234283-2	COMPRESSION SPRING 18.5	2				
135		454344-4	DUST SUPPORT B	1				
136		424557-1	DUST COVER	1				
137		454321-6	HANDLE A	1				
138		265999-8	TAPPING SCREW 4X25	4				
139		454332-1	SWITCH LEVER A	1				
140		234285-8	COMPRESSION SPRING 7	1				
141		454327-4	SUB LEVER	1				
142		268309-8	PIN	1				
143		154626-1	SWITCH HOLDER COMPLETE	1				
144		650678-5	SWITCH C3PA-1121	1				
145		454323-2	HANDLE COVER	1				
146		265995-6	TAPPING SCREW 4X18	1				
147		234281-6	COMPRESSION SPRING 6	1				
148		632A83-4	SWITCH UNIT	1				
149		454336-3	SWITCH LEVER C	1				
150		187692-3	SWITCH CASE SET	1				
	D10		INC. 152					
151		911128-8	PAN HEAD SCREW M4X16	4				
152		187692-3	SWITCH CASE SET	1				
	D10		INC. 150					
153		234282-4	COMPRESSION SPRING 12	2				
A01		123138-5	SIDE GRIP ASSEMBLY	1				
A02		196792-8	SIDE HANDLE 73 SET	1				
A03		194683-7	GREASE VESSEL SET	1				
	C10	837544-5	INNER TRAY	1				
	C20	801Y02-7	INDICATION LABEL	1				
	C30	162271-8	LATCH	2				
A04A		196278-2	PLASTIC CASE SET	1				
A04B		196531-6	PLASTIC CASE SET	1				
	C40	801Y03-5	INDICATION LABEL	1				
A05		331955-1	DEPTH GAUGE	1				
A06		443122-7	CLOTH	1				
A11B		123066-4	DEPTH GAUGE B ASSEMBLY	1				
A12B		162356-0	DUST COVER COMPLETE	1				
A13B		424472-9	DUST COVER CAP	2				
A14B		453115-6	JOINT	2				
A15B		453118-0	BELLOWS	2				
A16B		453674-0	JOINT 25	1				
A17B		454809-6	HOSE HOLDER C	1				

A:HR4013C(H)
 B:HR4013CV(H)

Interchange
 O : Yes
 X : No
 < : the new part can be substituted for the current.
 > : the current part can be substituted for the new.
 S : Interchangeable as a set.

HR4013C / 40MM ROTARY HAMMER

FR

Item	Sub	Parts No.	Parts Description	Qty	I/C	E/C No.	Close No.	Remark
001		286292-7	TOOL HOLDER CAP	1				
002		233948-3	RING SPRING 25	1				
003		257308-5	RING 28	1				
004		454330-5	CHUCK COVER	1				
005		262167-4	RUBBER RING 30	1				
006		326272-2	CHUCK RING	1				
007		454331-3	RELEASE COVER	1				
008		346670-4	SPRING GUIDE	1				
009		234288-2	COMPRESSION SPRING 46	1				
010		346670-4	SPRING GUIDE	1				
011		213615-6	O RING 46	1				
012		922351-0	HEX. SOCKET HEAD BOLT M6X30	4				
013		141956-9	BARREL COMPLETE	1				
	C10	213246-1	O-RING 38 SA1004	1				
	C20	213490-0	OIL SEAL 32	1				
	C30	213492-6	O-RING 32	1				
014		454337-1	LOCK SLEEVE	1				
015		234290-5	RING SPRING 59	1				
016		213707-1	O RING 65	1				
017		267469-3	FLAT WASHER 32	1				
018		262168-2	RUBBER RING 32	1				
019		267469-3	FLAT WASHER 32	1				
020		310257-8	TOOL RETAINER	2				
021		326268-3	TOOL HOLDER	1				
022		213317-4	O RING 20	1				
023		213392-0	FLUORIDE RING 25	1				
024		213317-4	O RING 20	1				
025		213392-0	FLUORIDE RING 25	1				
026		326269-1	IMPACT BOLT	1				
027		326274-8	RING 17	1				
028		262166-6	RUBBER RING 18	1				
029		454347-8	SLIDE SLEEVE	1				
030		326270-6	STRIKER	1				
031		213695-2	O-RING 22	1				
032		234289-0	COMPRESSION SPRING 33	1				
033		346673-8	GUIDE RING	1				
034		256548-2	FLAT FILLISTER HEAD PIN 6	1				
035		346671-2	LINK PLATE	1				
036		313255-1	DRIVING SLEEVE	1				
037		257991-8	RETAINING RING (EXT) WR-32.5	1				
038		257340-9	RING 33	1				
039		267470-8	FLAT WASHER 33	1				
040		234287-4	COMPRESSION SPRING 34	1				
041		267470-8	FLAT WASHER 33	1				
042		332063-1	CYLINDER 28.5	1				
043		257991-8	RETAINING RING (EXT) WR-32.5	1				
044		213406-5	O RING 30	3				
045		256197-5	PIN 7	1				
046		419004-5	PISTON	1				
047		213379-2	O RING 21	1				
048		213695-2	O-RING 22	1				
049		454317-7	CONNECTING ROD	1				
050		424560-2	HOUSING CAP	1				
051		141957-7	HOUSING COVER A COMPLETE	1				
052		227613-4	SPIRAL BEVEL GEAR 26	1				
053		454342-8	SPRING PLATE	2				
054		234286-6	COMPRESSION SPRING 11	2				
055		326273-0	COUNTER WEIGHT	2				
056		234286-6	COMPRESSION SPRING 11	2				
057		213325-5	O RING 19	2				
058		142289-5	HOLDER COMPLETE	2				
059		265995-6	TAPPING SCREW 4X18	1				
060		454326-6	CHANGE LEVER	1				
061		318988-3	CRANK CAP COVER	1				
062		454339-7	CONTROL PLATE	1				

A:HR4013C(H)
B:HR4013CV(H)

Interchange
O : Yes
X : No
< : the new part can be substituted for the current.
> : the current part can be substituted for the new.
S : Interchangeable as a set.

HR4013C / 40MM ROTARY HAMMER

FR

Item	Sub	Parts No.	Parts Description	Qty	I/C	E/C No.	Close No.	Remark
063		454340-2	SLIDE PLATE	1				
064		234284-0	COMPRESSION SPRING 4	1				
065		454345-2	CRANK LEVER	1				
066		213262-3	O RING 18	1				
067		424556-3	FILTER CAP	1				
068		443182-9	FILTER	1				
069		454319-3	CRANK CAP	1				
070		911128-8	PAN HEAD SCREW M4X16	6				
071		424559-7	SEAL RING B	1				
072		232280-2	LEAF SPRING	1				
073		454318-5	LINK LEVER	1				
074		911511-9	PAN HEAD SCREW M4X10	1				
075		266041-8	TAPPING SCREW 5X25	4				
076		233603-7	TORSION SPRING 7	1				
077		454338-9	LINK GUIDE	1				
078		141953-5	CRANK HOUSING A COMPLETE	1				
079		126290-8	TORQUE LIMITER ASSEMBLY	1				
	D10		INC. 80-87					
080		254239-9	KEY 4	2				
081		227612-6	SPIRAL BEVEL GEAR 7	1				
082		211232-6	BALL BEARING 6002LLU	1				
083		141959-3	TORQUE LIMITER COMPLETE	1				
084		324727-1	SHOULDER WASHER 8	1				
085		210005-4	BALL BEARING 608DDW	1				
086		253215-0	FLAT WASHER 8	1				
087		961004-6	RETAINING RING S-8	1				
088		326271-4	CRANK SHAFT	1				
089		211332-2	BALL BEARING 6004LLU	1				
090		961060-6	RETAINING RING S-20	1				
091		227772-4	HELICAL GEAR 37	1				
093		253180-3	FLAT WASHER 10	1				
094		424558-9	SEAL RING A	1				
095		141955-1	GEAR HOUSING COMPLETE	1				
096		213231-4	OIL SEAL 15	1				
097		331596-3	SLEEVE 12	1				
098		211137-0	BALL BEARING 6201LLU	1				
099		253744-3	FLAT WASHER 12	1				
100		513888-4	ARMATURE ASS'Y 220-240V	1				
	D10		INC. 97,98,99,101,102					
101		681650-6	INSULATION WASHER	1				
102		210005-4	BALL BEARING 608DDW	1				
103		267721-9	WAVE WASHER 15	1				
104		266568-8	TAPPING SCREW 5X80	2				
105		454329-0	BAFFLE PLATE	1				
106		625758-6	FIELD 220-240V	1				
107		632A84-2	BRUSH HOLDE UNIT	1				
108		194160-9	CARBON BRUSH CB-350	1				
109		454348-6	GUARD 40	1				
110		265999-8	TAPPING SCREW 4X25	2				
111		454316-9	MOTOR HOUSING	1				
112		240146-2	FAN 76	1				
113		253047-5	FLAT WASHER 6	1				
114		931303-0	HEX. NUT M6	1				
115		454328-2	REAR COVER	1				
116		265995-6	TAPPING SCREW 4X18	2				
117		695123-3	POWER SUPPLY CORD 1.5-2-4.0	1				
118		682560-0	CORD GUARD 10	1				
119		419024-9	CORD CLAMP BASE	1				
120		265995-6	TAPPING SCREW 4X18	1				
121		687169-3	STRAIN RELIEF	1				
122		265995-6	TAPPING SCREW 4X18	1				
123		620200-2	CONTROLLER	1				
124		265995-6	TAPPING SCREW 4X18	1				
125		632B52-1	LEAD UNIT	1				
126		454346-0	LENS	1				

A:HR4013C(H)
B:HR4013CV(H)

Interchange
O : Yes
X : No
< : the new part can be substituted for the current.
> : the current part can be substituted for the new.
S : Interchangeable as a set.

HR4013C / 40MM ROTARY HAMMER

GB

Item	Sub	Parts No.	Parts Description	Qty	I/C	E/C No.	Close No.	Remark
001		286292-7	TOOL HOLDER CAP	1				
002		233948-3	RING SPRING 25	1				
003		257308-5	RING 28	1				
004		454330-5	CHUCK COVER	1				
005		262167-4	RUBBER RING 30	1				
006		326272-2	CHUCK RING	1				
007		454331-3	RELEASE COVER	1				
008		346670-4	SPRING GUIDE	1				
009		234288-2	COMPRESSION SPRING 46	1				
010		346670-4	SPRING GUIDE	1				
011		213615-6	O RING 46	1				
012		922351-0	HEX. SOCKET HEAD BOLT M6X30	4				
013		141956-9	BARREL COMPLETE	1				
	C10	213246-1	O-RING 38 SA1004	1				
	C20	213490-0	OIL SEAL 32	1				
	C30	213492-6	O-RING 32	1				
014		454337-1	LOCK SLEEVE	1				
015		234290-5	RING SPRING 59	1				
016		213707-1	O RING 65	1				
017		267469-3	FLAT WASHER 32	1				
018		262168-2	RUBBER RING 32	1				
019		267469-3	FLAT WASHER 32	1				
020		310257-8	TOOL RETAINER	2				
021		326268-3	TOOL HOLDER	1				
022		213317-4	O RING 20	1				
023		213392-0	FLUORIDE RING 25	1				
024		213317-4	O RING 20	1				
025		213392-0	FLUORIDE RING 25	1				
026		326269-1	IMPACT BOLT	1				
027		326274-8	RING 17	1				
028		262166-6	RUBBER RING 18	1				
029		454347-8	SLIDE SLEEVE	1				
030		326270-6	STRIKER	1				
031		213695-2	O-RING 22	1				
032		234289-0	COMPRESSION SPRING 33	1				
033		346673-8	GUIDE RING	1				
034		256548-2	FLAT FILLISTER HEAD PIN 6	1				
035		346671-2	LINK PLATE	1				
036		313255-1	DRIVING SLEEVE	1				
037		257991-8	RETAINING RING (EXT) WR-32.5	1				
038		257340-9	RING 33	1				
039		267470-8	FLAT WASHER 33	1				
040		234287-4	COMPRESSION SPRING 34	1				
041		267470-8	FLAT WASHER 33	1				
042		332063-1	CYLINDER 28.5	1				
043		257991-8	RETAINING RING (EXT) WR-32.5	1				
044		213406-5	O RING 30	3				
045		256197-5	PIN 7	1				
046		419004-5	PISTON	1				
047		213379-2	O RING 21	1				
048		213695-2	O-RING 22	1				
049		454317-7	CONNECTING ROD	1				
050		424560-2	HOUSING CAP	1				
051		141957-7	HOUSING COVER A COMPLETE	1				
052		227613-4	SPIRAL BEVEL GEAR 26	1				
053		454342-8	SPRING PLATE	2				
054		234286-6	COMPRESSION SPRING 11	2				
055		326273-0	COUNTER WEIGHT	2				
056		234286-6	COMPRESSION SPRING 11	2				
057		213325-5	O RING 19	2				
058		142289-5	HOLDER COMPLETE	2				
059		265995-6	TAPPING SCREW 4X18	1				
060		454326-6	CHANGE LEVER	1				
061		318988-3	CRANK CAP COVER	1				
062		454339-7	CONTROL PLATE	1				

Interchange
O : Yes
X : No
< : the new part can be substituted for the current.
> : the current part can be substituted for the new.
S : Interchangeable as a set.

HR4013C / 40MM ROTARY HAMMER

GB

Item	Sub	Parts No.	Parts Description	Qty	I/C	E/C No.	Close No.	Remark
063		454340-2	SLIDE PLATE	1				
064		234284-0	COMPRESSION SPRING 4	1				
065		454345-2	CRANK LEVER	1				
066		213262-3	O RING 18	1				
067		424556-3	FILTER CAP	1				
068		443182-9	FILTER	1				
069		454319-3	CRANK CAP	1				
070		911128-8	PAN HEAD SCREW M4X16	6				
071		424559-7	SEAL RING B	1				
072		232280-2	LEAF SPRING	1				
073		454318-5	LINK LEVER	1				
074		911511-9	PAN HEAD SCREW M4X10	1				
075		266041-8	TAPPING SCREW 5X25	4				
076		233603-7	TORSION SPRING 7	1				
077		454338-9	LINK GUIDE	1				
078		141953-5	CRANK HOUSING A COMPLETE	1				
079		126290-8	TORQUE LIMITER ASSEMBLY	1				
	D10		INC. 80-87					
080		254239-9	KEY 4	2				
081		227612-6	SPIRAL BEVEL GEAR 7	1				
082		211232-6	BALL BEARING 6002LLU	1				
083		141959-3	TORQUE LIMITER COMPLETE	1				
084		324727-1	SHOULDER WASHER 8	1				
085		210005-4	BALL BEARING 608DDW	1				
086		253215-0	FLAT WASHER 8	1				
087		961004-6	RETAINING RING S-8	1				
088		326271-4	CRANK SHAFT	1				
089		211332-2	BALL BEARING 6004LLU	1				
090		961060-6	RETAINING RING S-20	1				
091		227772-4	HELICAL GEAR 37	1				
093		253180-3	FLAT WASHER 10	1				
094		424558-9	SEAL RING A	1				
095		141955-1	GEAR HOUSING COMPLETE	1				
096		213231-4	OIL SEAL 15	1				
097		331596-3	SLEEVE 12	1				
098		211137-0	BALL BEARING 6201LLU	1				
099		253744-3	FLAT WASHER 12	1				
100		513886-8	ARMATURE ASS'Y 115V	1				
	D10		INC. 97,98,99,101,102					
101		681650-6	INSULATION WASHER	1				
102		210005-4	BALL BEARING 608DDW	1				
103		267721-9	WAVE WASHER 15	1				
104		266568-8	TAPPING SCREW 5X80	2				
105		454329-0	BAFFLE PLATE	1				
106		625756-0	FIELD 115V	1				
107		632A84-2	BRUSH HOLDE UNIT	1			A7312	
107-1		632E31-7	BRUSH HOLDE UNIT	1	S	A7312		
108		194160-9	CARBON BRUSH CB-350	1			A7312	
108-1		197244-2	CARBON BRUSH CB-351	1	S	A7312		
109		454348-6	GUARD 40	1				
110		265999-8	TAPPING SCREW 4X25	2				
111		454316-9	MOTOR HOUSING	1				
112		240146-2	FAN 76	1				
113		253047-5	FLAT WASHER 6	1				
114		931303-0	HEX. NUT M6	1				
115		454328-2	REAR COVER	1				
116		265995-6	TAPPING SCREW 4X18	2				
117		664276-9	POWER SUPPLY CORD AWG#16-2-5.0	1				
118		682560-0	CORD GUARD 10	1				
119		419024-9	CORD CLAMP BASE	1				
120		265995-6	TAPPING SCREW 4X18	1				
121		687169-3	STRAIN RELIEF	1				
122		265995-6	TAPPING SCREW 4X18	1				
123		620199-1	CONTROLLER	1				
124		265995-6	TAPPING SCREW 4X18	1				

Interchange
O : Yes
X : No
< : the new part can be substituted for the current.
> : the current part can be substituted for the new.
S : Interchangeable as a set.

HR4013C / 40MM ROTARY HAMMER

GB

Item	Sub	Parts No.	Parts Description	Qty	I/C	E/C No.	Close No.	Remark
001		286292-7	TOOL HOLDER CAP	1				
002		233948-3	RING SPRING 25	1				
003		257308-5	RING 28	1				
004		454330-5	CHUCK COVER	1				
005		262167-4	RUBBER RING 30	1				
006		326272-2	CHUCK RING	1				
007		454331-3	RELEASE COVER	1				
008		346670-4	SPRING GUIDE	1				
009		234288-2	COMPRESSION SPRING 46	1				
010		346670-4	SPRING GUIDE	1				
011		213615-6	O RING 46	1				
012		922351-0	HEX. SOCKET HEAD BOLT M6X30	4				
013		141956-9	BARREL COMPLETE	1				
	C10	213246-1	O-RING 38 SA1004	1				
	C20	213490-0	OIL SEAL 32	1				
	C30	213492-6	O-RING 32	1				
014		454337-1	LOCK SLEEVE	1				
015		234290-5	RING SPRING 59	1				
016		213707-1	O RING 65	1				
017		267469-3	FLAT WASHER 32	1				
018		262168-2	RUBBER RING 32	1				
019		267469-3	FLAT WASHER 32	1				
020		310257-8	TOOL RETAINER	2				
021		326268-3	TOOL HOLDER	1				
022		213317-4	O RING 20	1				
023		213392-0	FLUORIDE RING 25	1				
024		213317-4	O RING 20	1				
025		213392-0	FLUORIDE RING 25	1				
026		326269-1	IMPACT BOLT	1				
027		326274-8	RING 17	1				
028		262166-6	RUBBER RING 18	1				
029		454347-8	SLIDE SLEEVE	1				
030		326270-6	STRIKER	1				
031		213695-2	O-RING 22	1				
032		234289-0	COMPRESSION SPRING 33	1				
033		346673-8	GUIDE RING	1				
034		256548-2	FLAT FILLISTER HEAD PIN 6	1				
035		346671-2	LINK PLATE	1				
036		313255-1	DRIVING SLEEVE	1				
037		257991-8	RETAINING RING (EXT) WR-32.5	1				
038		257340-9	RING 33	1				
039		267470-8	FLAT WASHER 33	1				
040		234287-4	COMPRESSION SPRING 34	1				
041		267470-8	FLAT WASHER 33	1				
042		332063-1	CYLINDER 28.5	1				
043		257991-8	RETAINING RING (EXT) WR-32.5	1				
044		213406-5	O RING 30	3				
045		256197-5	PIN 7	1				
046		419004-5	PISTON	1				
047		213379-2	O RING 21	1				
048		213695-2	O-RING 22	1				
049		454317-7	CONNECTING ROD	1				
050		424560-2	HOUSING CAP	1				
051		141957-7	HOUSING COVER A COMPLETE	1				
052		227613-4	SPIRAL BEVEL GEAR 26	1				
053		454342-8	SPRING PLATE	2				
054		234286-6	COMPRESSION SPRING 11	2				
055		326273-0	COUNTER WEIGHT	2				
056		234286-6	COMPRESSION SPRING 11	2				
057		213325-5	O RING 19	2				
058		142289-5	HOLDER COMPLETE	2				
059		265995-6	TAPPING SCREW 4X18	1				
060		454326-6	CHANGE LEVER	1				
061		318988-3	CRANK CAP COVER	1				
062		454339-7	CONTROL PLATE	1				

Interchange
O : Yes
X : No
< : the new part can be substituted for the current.
> : the current part can be substituted for the new.
S : Interchangeable as a set.

HR4013C / 40MM ROTARY HAMMER

GB

Item	Sub	Parts No.	Parts Description	Qty	I/C	E/C No.	Close No.	Remark
063		454340-2	SLIDE PLATE	1				
064		234284-0	COMPRESSION SPRING 4	1				
065		454345-2	CRANK LEVER	1				
066		213262-3	O RING 18	1				
067		424556-3	FILTER CAP	1				
068		443182-9	FILTER	1				
069		454319-3	CRANK CAP	1				
070		911128-8	PAN HEAD SCREW M4X16	6				
071		424559-7	SEAL RING B	1				
072		232280-2	LEAF SPRING	1				
073		454318-5	LINK LEVER	1				
074		911511-9	PAN HEAD SCREW M4X10	1				
075		266041-8	TAPPING SCREW 5X25	4				
076		233603-7	TORSION SPRING 7	1				
077		454338-9	LINK GUIDE	1				
078		141953-5	CRANK HOUSING A COMPLETE	1				
079		126290-8	TORQUE LIMITER ASSEMBLY	1				
	D10		INC. 80-87					
080		254239-9	KEY 4	2				
081		227612-6	SPIRAL BEVEL GEAR 7	1				
082		211232-6	BALL BEARING 6002LLU	1				
083		141959-3	TORQUE LIMITER COMPLETE	1				
084		324727-1	SHOULDER WASHER 8	1				
085		210005-4	BALL BEARING 608DDW	1				
086		253215-0	FLAT WASHER 8	1				
087		961004-6	RETAINING RING S-8	1				
088		326271-4	CRANK SHAFT	1				
089		211332-2	BALL BEARING 6004LLU	1				
090		961060-6	RETAINING RING S-20	1				
091		227772-4	HELICAL GEAR 37	1				
093		253180-3	FLAT WASHER 10	1				
094		424558-9	SEAL RING A	1				
095		141955-1	GEAR HOUSING COMPLETE	1				
096		213231-4	OIL SEAL 15	1				
097		331596-3	SLEEVE 12	1				
098		211137-0	BALL BEARING 6201LLU	1				
099		253744-3	FLAT WASHER 12	1				
100		513886-8	ARMATURE ASS'Y 115V	1				
	D10		INC. 97,98,99,101,102					
101		681650-6	INSULATION WASHER	1				
102		210005-4	BALL BEARING 608DDW	1				
103		267721-9	WAVE WASHER 15	1				
104		266568-8	TAPPING SCREW 5X80	2				
105		454329-0	BAFFLE PLATE	1				
106		625756-0	FIELD 115V	1				
107		632A84-2	BRUSH HOLDE UNIT	1			A7312	
107-1		632E31-7	BRUSH HOLDE UNIT	1	S	A7312		
108		194160-9	CARBON BRUSH CB-350	1			A7312	
108-1		197244-2	CARBON BRUSH CB-351	1	S	A7312		
109		454348-6	GUARD 40	1				
110		265999-8	TAPPING SCREW 4X25	2				
111		454316-9	MOTOR HOUSING	1				
112		240146-2	FAN 76	1				
113		253047-5	FLAT WASHER 6	1				
114		931303-0	HEX. NUT M6	1				
115		454328-2	REAR COVER	1				
116		265995-6	TAPPING SCREW 4X18	2				
117		664276-9	POWER SUPPLY CORD AWG#16-2-5.0	1				
118		682560-0	CORD GUARD 10	1				
119		419024-9	CORD CLAMP BASE	1				
120		265995-6	TAPPING SCREW 4X18	1				
121		687169-3	STRAIN RELIEF	1				
122		265995-6	TAPPING SCREW 4X18	1				
123		620199-1	CONTROLLER	1				
124		265995-6	TAPPING SCREW 4X18	1				

Interchange
 O : Yes
 X : No
 < : the new part can be substituted for the current.
 > : the current part can be substituted for the new.
 S : Interchangeable as a set.

HR4013C / 40MM ROTARY HAMMER

HK

Item	Sub	Parts No.	Parts Description	Qty	I/C	E/C No.	Close No.	Remark
001		286292-7	TOOL HOLDER CAP	1				
002		233948-3	RING SPRING 25	1				
003		257308-5	RING 28	1				
004		454330-5	CHUCK COVER	1				
005		262167-4	RUBBER RING 30	1				
006		326272-2	CHUCK RING	1				
007		454331-3	RELEASE COVER	1				
008		346670-4	SPRING GUIDE	1				
009		234288-2	COMPRESSION SPRING 46	1				
010		346670-4	SPRING GUIDE	1				
011		213615-6	O RING 46	1				
012		922351-0	HEX. SOCKET HEAD BOLT M6X30	4				
013		141956-9	BARREL COMPLETE	1				
	C10	213246-1	O-RING 38 SA1004	1				
	C20	213490-0	OIL SEAL 32	1				
	C30	213492-6	O-RING 32	1				
014		454337-1	LOCK SLEEVE	1				
015		234290-5	RING SPRING 59	1				
016		213707-1	O RING 65	1				
017		267469-3	FLAT WASHER 32	1				
018		262168-2	RUBBER RING 32	1				
019		267469-3	FLAT WASHER 32	1				
020		310257-8	TOOL RETAINER	2				
021		326268-3	TOOL HOLDER	1				
022		213317-4	O RING 20	1				
023		213392-0	FLUORIDE RING 25	1				
024		213317-4	O RING 20	1				
025		213392-0	FLUORIDE RING 25	1				
026		326269-1	IMPACT BOLT	1				
027		326274-8	RING 17	1				
028		262166-6	RUBBER RING 18	1				
029		454347-8	SLIDE SLEEVE	1				
030		326270-6	STRIKER	1				
031		213695-2	O-RING 22	1				
032		234289-0	COMPRESSION SPRING 33	1				
033		346673-8	GUIDE RING	1				
034		256548-2	FLAT FILLISTER HEAD PIN 6	1				
035		346671-2	LINK PLATE	1				
036		313255-1	DRIVING SLEEVE	1				
037		257991-8	RETAINING RING (EXT) WR-32.5	1				
038		257340-9	RING 33	1				
039		267470-8	FLAT WASHER 33	1				
040		234287-4	COMPRESSION SPRING 34	1				
041		267470-8	FLAT WASHER 33	1				
042		332063-1	CYLINDER 28.5	1				
043		257991-8	RETAINING RING (EXT) WR-32.5	1				
044		213406-5	O RING 30	3				
045		256197-5	PIN 7	1				
046		419004-5	PISTON	1				
047		213379-2	O RING 21	1				
048		213695-2	O-RING 22	1				
049		454317-7	CONNECTING ROD	1				
050		424560-2	HOUSING CAP	1				
051		142293-4	HOUSING COVER A COMPLETE	1				
	C10	810711-7	CAUTION LABEL	1				
052		227613-4	SPIRAL BEVEL GEAR 26	1				
053		454342-8	SPRING PLATE	2				
054		234286-6	COMPRESSION SPRING 11	2				
055		326273-0	COUNTER WEIGHT	2				
056		234286-6	COMPRESSION SPRING 11	2				
057		213325-5	O RING 19	2				
058		142289-5	HOLDER COMPLETE	2				
059		265995-6	TAPPING SCREW 4X18	1				
060		454326-6	CHANGE LEVER	1				
061		318988-3	CRANK CAP COVER	1				

A:HR4013C(H)
C:HR4013CV(H)

Interchange
O : Yes
X : No
< : the new part can be substituted for the current.
> : the current part can be substituted for the new.
S : Interchangeable as a set.

HR4013C / 40MM ROTARY HAMMER

HK

Item	Sub	Parts No.	Parts Description	Qty	I/C	E/C No.	Close No.	Remark
062		454339-7	CONTROL PLATE	1				
063		454340-2	SLIDE PLATE	1				
064		234284-0	COMPRESSION SPRING 4	1				
065		454345-2	CRANK LEVER	1				
066		213262-3	O RING 18	1				
067		424556-3	FILTER CAP	1				
068		443182-9	FILTER	1				
069		454319-3	CRANK CAP	1				
070		911128-8	PAN HEAD SCREW M4X16	6				
071		424559-7	SEAL RING B	1				
072		232280-2	LEAF SPRING	1				
073		454318-5	LINK LEVER	1				
074		911511-9	PAN HEAD SCREW M4X10	1				
075		266041-8	TAPPING SCREW 5X25	4				
076		233603-7	TORSION SPRING 7	1				
077		454338-9	LINK GUIDE	1				
078		141953-5	CRANK HOUSING A COMPLETE	1				
079		126290-8	TORQUE LIMITER ASSEMBLY	1				
	D10		INC. 80-87					
080		254239-9	KEY 4	2				
081		227612-6	SPIRAL BEVEL GEAR 7	1				
082		211232-6	BALL BEARING 6002LLU	1				
083		141959-3	TORQUE LIMITER COMPLETE	1				
084		324727-1	SHOULDER WASHER 8	1				
085		210005-4	BALL BEARING 608DDW	1				
086		253215-0	FLAT WASHER 8	1				
087		961004-6	RETAINING RING S-8	1				
088		326271-4	CRANK SHAFT	1				
089		211332-2	BALL BEARING 6004LLU	1				
090		961060-6	RETAINING RING S-20	1				
091		227772-4	HELICAL GEAR 37	1				
093		253180-3	FLAT WASHER 10	1				
094		424558-9	SEAL RING A	1				
095		141955-1	GEAR HOUSING COMPLETE	1				
096		213231-4	OIL SEAL 15	1				
097		331596-3	SLEEVE 12	1				
098		211137-0	BALL BEARING 6201LLU	1				
099		253744-3	FLAT WASHER 12	1				
100		513888-4	ARMATURE ASS'Y 220-240V	1				
	D10		INC. 97,98,99,101,102					
101		681650-6	INSULATION WASHER	1				
102		210005-4	BALL BEARING 608DDW	1				
103		267721-9	WAVE WASHER 15	1				
104		266568-8	TAPPING SCREW 5X80	2				
105		454329-0	BAFFLE PLATE	1				
106		625758-6	FIELD 220-240V	1				
107		632A84-2	BRUSH HOLDE UNIT	1				
108		194160-9	CARBON BRUSH CB-350	1				
109		454348-6	GUARD 40	1				
110		265999-8	TAPPING SCREW 4X25	2				
111		454316-9	MOTOR HOUSING	1				
112		240146-2	FAN 76	1				
113		253047-5	FLAT WASHER 6	1				
114		931303-0	HEX. NUT M6	1				
115		454328-2	REAR COVER	1				
116		265995-6	TAPPING SCREW 4X18	2				
117		692637-3	POWER SUPPLY CORD 1.5-2-5.0	1				
118		682560-0	CORD GUARD 10	1				
119		419024-9	CORD CLAMP BASE	1				
120		265995-6	TAPPING SCREW 4X18	1				
121		687169-3	STRAIN RELIEF	1				
122		265995-6	TAPPING SCREW 4X18	1				
123		620200-2	CONTROLLER	1				
124		265995-6	TAPPING SCREW 4X18	1				
125		632B52-1	LEAD UNIT	1				

A:HR4013C(H)
C:HR4013CV(H)

Interchange
O : Yes
X : No
< : the new part can be substituted for the current.
> : the current part can be substituted for the new.
S : Interchangeable as a set.

HR4013C / 40MM ROTARY HAMMER



Item	Sub	Parts No.	Parts Description	Qty	I/C	E/C No.	Close No.	Remark
126		454346-0	LENS	1				
127		265999-8	TAPPING SCREW 4X25	2				
128		253194-2	FLAT WASHER 5	2				
129		257813-2	SLEEVE 9	2				
130		454320-8	HANDLE BASE	1				
131		266041-8	TAPPING SCREW 5X25	2				
132		814T16-7	HR4013C NAME PLATE	1				
133		454343-6	DUST SUPPORT A	1				
134		234283-2	COMPRESSION SPRING 18.5	2				
135		454344-4	DUST SUPPORT B	1				
136		424557-1	DUST COVER	1				
137		454321-6	HANDLE A	1				
138		265999-8	TAPPING SCREW 4X25	4				
139		454332-1	SWITCH LEVER A	1				
140		234285-8	COMPRESSION SPRING 7	1				
141		454327-4	SUB LEVER	1				
142		268309-8	PIN	1				
143		154626-1	SWITCH HOLDER COMPLETE	1				
144		650678-5	SWITCH C3PA-1121	1				
145		454323-2	HANDLE COVER	1				
146		265995-6	TAPPING SCREW 4X18	1				
147		234281-6	COMPRESSION SPRING 6	1				
148		632A83-4	SWITCH UNIT	1				
149		454336-3	SWITCH LEVER C	1				
150		187692-3	SWITCH CASE SET	1				
	D10		INC. 152					
151		911128-8	PAN HEAD SCREW M4X16	4				
152		187692-3	SWITCH CASE SET	1				
	D10		INC. 150					
153		234282-4	COMPRESSION SPRING 12	2				
A01		123138-5	SIDE GRIP ASSEMBLY	1				
A02		196792-8	SIDE HANDLE 73 SET	1				
A03		194683-7	GREASE VESSEL SET	1				
	C20	801Y02-7	INDICATION LABEL	1				
A04A		141977-1	PLASTIC CARRYING CASE COMPLETE	1				
	C10	162271-8	LATCH	2				
A04C		196531-6	PLASTIC CASE SET	1				
	C10	837544-5	INNER TRAY	1				
	C30	162271-8	LATCH	2				
	C40	801Y03-5	INDICATION LABEL	1				
A05		331955-1	DEPTH GAUGE	1				
A06		443122-7	CLOTH	1				
A11C		123066-4	DEPTH GAUGE B ASSEMBLY	1				
A12C		162356-0	DUST COVER COMPLETE	1				
A13C		424472-9	DUST COVER CAP	2				
A14C		453115-6	JOINT	2				
A15C		453118-0	BELLEWS	2				
A16C		453674-0	JOINT 25	1				
A17C		454809-6	HOSE HOLDER C	1				

A:HR4013C(H)
C:HR4013CV(H)

Interchange
O : Yes
X : No
< : the new part can be substituted for the current.
> : the current part can be substituted for the new.
S : Interchangeable as a set.

HR4013C / 40MM ROTARY HAMMER

IN

Item	Sub	Parts No.	Parts Description	Qty	I/C	E/C No.	Close No.	Remark
001		286292-7	TOOL HOLDER CAP	1				
002		233948-3	RING SPRING 25	1				
003		257308-5	RING 28	1				
004		454330-5	CHUCK COVER	1				
005		262167-4	RUBBER RING 30	1				
006		326272-2	CHUCK RING	1				
007		454331-3	RELEASE COVER	1				
008		346670-4	SPRING GUIDE	1				
009		234288-2	COMPRESSION SPRING 46	1				
010		346670-4	SPRING GUIDE	1				
011		213615-6	O RING 46	1				
012		922351-0	HEX. SOCKET HEAD BOLT M6X30	4				
013		141956-9	BARREL COMPLETE	1				
	C10	213246-1	O-RING 38 SA1004	1				
	C20	213490-0	OIL SEAL 32	1				
	C30	213492-6	O-RING 32	1				
014		454337-1	LOCK SLEEVE	1				
015		234290-5	RING SPRING 59	1				
016		213707-1	O RING 65	1				
017		267469-3	FLAT WASHER 32	1				
018		262168-2	RUBBER RING 32	1				
019		267469-3	FLAT WASHER 32	1				
020		310257-8	TOOL RETAINER	2				
021		326268-3	TOOL HOLDER	1				
022		213317-4	O RING 20	1				
023		213392-0	FLUORIDE RING 25	1				
024		213317-4	O RING 20	1				
025		213392-0	FLUORIDE RING 25	1				
026		326269-1	IMPACT BOLT	1				
027		326274-8	RING 17	1				
028		262166-6	RUBBER RING 18	1				
029		454347-8	SLIDE SLEEVE	1				
030		326270-6	STRIKER	1				
031		213695-2	O-RING 22	1				
032		234289-0	COMPRESSION SPRING 33	1				
033		346673-8	GUIDE RING	1				
034		256548-2	FLAT FILLISTER HEAD PIN 6	1				
035		346671-2	LINK PLATE	1				
036		313255-1	DRIVING SLEEVE	1				
037		257991-8	RETAINING RING (EXT) WR-32.5	1				
038		257340-9	RING 33	1				
039		267470-8	FLAT WASHER 33	1				
040		234287-4	COMPRESSION SPRING 34	1				
041		267470-8	FLAT WASHER 33	1				
042		332063-1	CYLINDER 28.5	1				
043		257991-8	RETAINING RING (EXT) WR-32.5	1				
044		213406-5	O RING 30	3				
045		256197-5	PIN 7	1				
046		419004-5	PISTON	1				
047		213379-2	O RING 21	1				
048		213695-2	O-RING 22	1				
049		454317-7	CONNECTING ROD	1				
050		424560-2	HOUSING CAP	1				
051		141957-7	HOUSING COVER A COMPLETE	1				
052		227613-4	SPIRAL BEVEL GEAR 26	1				
053		454342-8	SPRING PLATE	2				
054		234286-6	COMPRESSION SPRING 11	2				
055		326273-0	COUNTER WEIGHT	2				
056		234286-6	COMPRESSION SPRING 11	2				
057		213325-5	O RING 19	2				
058		142289-5	HOLDER COMPLETE	2				
059		265995-6	TAPPING SCREW 4X18	1				
060		454326-6	CHANGE LEVER	1				
061		318988-3	CRANK CAP COVER	1				
062		454339-7	CONTROL PLATE	1				

Interchange
 O : Yes
 X : No
 < : the new part can be substituted for the current.
 > : the current part can be substituted for the new.
 S : Interchangeable as a set.

HR4013C / 40MM ROTARY HAMMER

IN

Item	Sub	Parts No.	Parts Description	Qty	I/C	E/C No.	Close No.	Remark
063		454340-2	SLIDE PLATE	1				
064		234284-0	COMPRESSION SPRING 4	1				
065		454345-2	CRANK LEVER	1				
066		213262-3	O RING 18	1				
067		424556-3	FILTER CAP	1				
068		443182-9	FILTER	1				
069		454319-3	CRANK CAP	1				
070		911128-8	PAN HEAD SCREW M4X16	6				
071		424559-7	SEAL RING B	1				
072		232280-2	LEAF SPRING	1				
073		454318-5	LINK LEVER	1				
074		911511-9	PAN HEAD SCREW M4X10	1				
075		266041-8	TAPPING SCREW 5X25	4				
076		233603-7	TORSION SPRING 7	1				
077		454338-9	LINK GUIDE	1				
078		141953-5	CRANK HOUSING A COMPLETE	1				
079		126290-8	TORQUE LIMITER ASSEMBLY	1				
	D10		INC. 80-87					
080		254239-9	KEY 4	2				
081		227612-6	SPIRAL BEVEL GEAR 7	1				
082		211232-6	BALL BEARING 6002LLU	1				
083		141959-3	TORQUE LIMITER COMPLETE	1				
084		324727-1	SHOULDER WASHER 8	1				
085		210005-4	BALL BEARING 608DDW	1				
086		253215-0	FLAT WASHER 8	1				
087		961004-6	RETAINING RING S-8	1				
088		326271-4	CRANK SHAFT	1				
089		211332-2	BALL BEARING 6004LLU	1				
090		961060-6	RETAINING RING S-20	1				
091		227772-4	HELICAL GEAR 37	1				
093		253180-3	FLAT WASHER 10	1				
094		424558-9	SEAL RING A	1				
095		141955-1	GEAR HOUSING COMPLETE	1				
096		213231-4	OIL SEAL 15	1				
097		331596-3	SLEEVE 12	1				
098		211137-0	BALL BEARING 6201LLU	1				
099		253744-3	FLAT WASHER 12	1				
100		513888-4	ARMATURE ASS'Y 220-240V	1				
	D10		INC. 97,98,99,101,102					
101		681650-6	INSULATION WASHER	1				
102		210005-4	BALL BEARING 608DDW	1				
103		267721-9	WAVE WASHER 15	1				
104		266568-8	TAPPING SCREW 5X80	2				
105		454329-0	BAFFLE PLATE	1				
106		625758-6	FIELD 220-240V	1				
107		632A84-2	BRUSH HOLDE UNIT	1				
108		194160-9	CARBON BRUSH CB-350	1				
109		454348-6	GUARD 40	1				
110		265999-8	TAPPING SCREW 4X25	2				
111		454316-9	MOTOR HOUSING	1				
112		240146-2	FAN 76	1				
113		253047-5	FLAT WASHER 6	1				
114		931303-0	HEX. NUT M6	1				
115		454328-2	REAR COVER	1				
116		265995-6	TAPPING SCREW 4X18	2				
117		695137-2	POWER SUPPLY CORD 1.5-2-5.0	1				
118		682560-0	CORD GUARD 10	1				
119		419024-9	CORD CLAMP BASE	1				
120		265995-6	TAPPING SCREW 4X18	1				
121		687169-3	STRAIN RELIEF	1				
122		265995-6	TAPPING SCREW 4X18	1				
123		620200-2	CONTROLLER	1				
124		265995-6	TAPPING SCREW 4X18	1				
125		632B52-1	LEAD UNIT	1				
126		454346-0	LENS	1				

Interchange
 O : Yes
 X : No
 < : the new part can be substituted for the current.
 > : the current part can be substituted for the new.
 S : Interchangeable as a set.

HR4013C / 40MM ROTARY HAMMER

IN

Item	Sub	Parts No.	Parts Description	Qty	I/C	E/C No.	Close No.	Remark
001		286292-7	TOOL HOLDER CAP	1				
002		233948-3	RING SPRING 25	1				
003		257308-5	RING 28	1				
004		454330-5	CHUCK COVER	1				
005		262167-4	RUBBER RING 30	1				
006		326272-2	CHUCK RING	1				
007		454331-3	RELEASE COVER	1				
008		346670-4	SPRING GUIDE	1				
009		234288-2	COMPRESSION SPRING 46	1				
010		346670-4	SPRING GUIDE	1				
011		213615-6	O RING 46	1				
012		922351-0	HEX. SOCKET HEAD BOLT M6X30	4				
013		141956-9	BARREL COMPLETE	1				
	C10	213246-1	O-RING 38 SA1004	1				
	C20	213490-0	OIL SEAL 32	1				
	C30	213492-6	O-RING 32	1				
014		454337-1	LOCK SLEEVE	1				
015		234290-5	RING SPRING 59	1				
016		213707-1	O RING 65	1				
017		267469-3	FLAT WASHER 32	1				
018		262168-2	RUBBER RING 32	1				
019		267469-3	FLAT WASHER 32	1				
020		310257-8	TOOL RETAINER	2				
021		326268-3	TOOL HOLDER	1				
022		213317-4	O RING 20	1				
023		213392-0	FLUORIDE RING 25	1				
024		213317-4	O RING 20	1				
025		213392-0	FLUORIDE RING 25	1				
026		326269-1	IMPACT BOLT	1				
027		326274-8	RING 17	1				
028		262166-6	RUBBER RING 18	1				
029		454347-8	SLIDE SLEEVE	1				
030		326270-6	STRIKER	1				
031		213695-2	O-RING 22	1				
032		234289-0	COMPRESSION SPRING 33	1				
033		346673-8	GUIDE RING	1				
034		256548-2	FLAT FILLISTER HEAD PIN 6	1				
035		346671-2	LINK PLATE	1				
036		313255-1	DRIVING SLEEVE	1				
037		257991-8	RETAINING RING (EXT) WR-32.5	1				
038		257340-9	RING 33	1				
039		267470-8	FLAT WASHER 33	1				
040		234287-4	COMPRESSION SPRING 34	1				
041		267470-8	FLAT WASHER 33	1				
042		332063-1	CYLINDER 28.5	1				
043		257991-8	RETAINING RING (EXT) WR-32.5	1				
044		213406-5	O RING 30	3				
045		256197-5	PIN 7	1				
046		419004-5	PISTON	1				
047		213379-2	O RING 21	1				
048		213695-2	O-RING 22	1				
049		454317-7	CONNECTING ROD	1				
050		424560-2	HOUSING CAP	1				
051		141957-7	HOUSING COVER A COMPLETE	1				
052		227613-4	SPIRAL BEVEL GEAR 26	1				
053		454342-8	SPRING PLATE	2				
054		234286-6	COMPRESSION SPRING 11	2				
055		326273-0	COUNTER WEIGHT	2				
056		234286-6	COMPRESSION SPRING 11	2				
057		213325-5	O RING 19	2				
058		142289-5	HOLDER COMPLETE	2				
059		265995-6	TAPPING SCREW 4X18	1				
060		454326-6	CHANGE LEVER	1				
061		318988-3	CRANK CAP COVER	1				
062		454339-7	CONTROL PLATE	1				

Interchange
 O : Yes
 X : No
 < : the new part can be substituted for the current.
 > : the current part can be substituted for the new.
 S : Interchangeable as a set.

HR4013C / 40MM ROTARY HAMMER

IN

Item	Sub	Parts No.	Parts Description	Qty	I/C	E/C No.	Close No.	Remark
063		454340-2	SLIDE PLATE	1				
064		234284-0	COMPRESSION SPRING 4	1				
065		454345-2	CRANK LEVER	1				
066		213262-3	O RING 18	1				
067		424556-3	FILTER CAP	1				
068		443182-9	FILTER	1				
069		454319-3	CRANK CAP	1				
070		911128-8	PAN HEAD SCREW M4X16	6				
071		424559-7	SEAL RING B	1				
072		232280-2	LEAF SPRING	1				
073		454318-5	LINK LEVER	1				
074		911511-9	PAN HEAD SCREW M4X10	1				
075		266041-8	TAPPING SCREW 5X25	4				
076		233603-7	TORSION SPRING 7	1				
077		454338-9	LINK GUIDE	1				
078		141953-5	CRANK HOUSING A COMPLETE	1				
079		126290-8	TORQUE LIMITER ASSEMBLY	1				
	D10		INC. 80-87					
080		254239-9	KEY 4	2				
081		227612-6	SPIRAL BEVEL GEAR 7	1				
082		211232-6	BALL BEARING 6002LLU	1				
083		141959-3	TORQUE LIMITER COMPLETE	1				
084		324727-1	SHOULDER WASHER 8	1				
085		210005-4	BALL BEARING 608DDW	1				
086		253215-0	FLAT WASHER 8	1				
087		961004-6	RETAINING RING S-8	1				
088		326271-4	CRANK SHAFT	1				
089		211332-2	BALL BEARING 6004LLU	1				
090		961060-6	RETAINING RING S-20	1				
091		227772-4	HELICAL GEAR 37	1				
093		253180-3	FLAT WASHER 10	1				
094		424558-9	SEAL RING A	1				
095		141955-1	GEAR HOUSING COMPLETE	1				
096		213231-4	OIL SEAL 15	1				
097		331596-3	SLEEVE 12	1				
098		211137-0	BALL BEARING 6201LLU	1				
099		253744-3	FLAT WASHER 12	1				
100		513888-4	ARMATURE ASS'Y 220-240V	1				
	D10		INC. 97,98,99,101,102					
101		681650-6	INSULATION WASHER	1				
102		210005-4	BALL BEARING 608DDW	1				
103		267721-9	WAVE WASHER 15	1				
104		266568-8	TAPPING SCREW 5X80	2				
105		454329-0	BAFFLE PLATE	1				
106		625758-6	FIELD 220-240V	1				
107		632A84-2	BRUSH HOLDE UNIT	1				
108		194160-9	CARBON BRUSH CB-350	1				
109		454348-6	GUARD 40	1				
110		265999-8	TAPPING SCREW 4X25	2				
111		454316-9	MOTOR HOUSING	1				
112		240146-2	FAN 76	1				
113		253047-5	FLAT WASHER 6	1				
114		931303-0	HEX. NUT M6	1				
115		454328-2	REAR COVER	1				
116		265995-6	TAPPING SCREW 4X18	2				
117		695137-2	POWER SUPPLY CORD 1.5-2-5.0	1				
118		682560-0	CORD GUARD 10	1				
119		419024-9	CORD CLAMP BASE	1				
120		265995-6	TAPPING SCREW 4X18	1				
121		687169-3	STRAIN RELIEF	1				
122		265995-6	TAPPING SCREW 4X18	1				
123		620200-2	CONTROLLER	1				
124		265995-6	TAPPING SCREW 4X18	1				
125		632B52-1	LEAD UNIT	1				
126		454346-0	LENS	1				

Interchange
O : Yes
X : No
< : the new part can be substituted for the current.
> : the current part can be substituted for the new.
S : Interchangeable as a set.

HR4013C / 40MM ROTARY HAMMER

IT

Item	Sub	Parts No.	Parts Description	Qty	I/C	E/C No.	Close No.	Remark
001		286292-7	TOOL HOLDER CAP	1				
002		233948-3	RING SPRING 25	1				
003		257308-5	RING 28	1				
004		454330-5	CHUCK COVER	1				
005		262167-4	RUBBER RING 30	1				
006		326272-2	CHUCK RING	1				
007		454331-3	RELEASE COVER	1				
008		346670-4	SPRING GUIDE	1				
009		234288-2	COMPRESSION SPRING 46	1				
010		346670-4	SPRING GUIDE	1				
011		213615-6	O RING 46	1				
012		922351-0	HEX. SOCKET HEAD BOLT M6X30	4				
013		141956-9	BARREL COMPLETE	1				
	C10	213246-1	O-RING 38 SA1004	1				
	C20	213490-0	OIL SEAL 32	1				
	C30	213492-6	O-RING 32	1				
014		454337-1	LOCK SLEEVE	1				
015		234290-5	RING SPRING 59	1				
016		213707-1	O RING 65	1				
017		267469-3	FLAT WASHER 32	1				
018		262168-2	RUBBER RING 32	1				
019		267469-3	FLAT WASHER 32	1				
020		310257-8	TOOL RETAINER	2				
021		326268-3	TOOL HOLDER	1				
022		213317-4	O RING 20	1				
023		213392-0	FLUORIDE RING 25	1				
024		213317-4	O RING 20	1				
025		213392-0	FLUORIDE RING 25	1				
026		326269-1	IMPACT BOLT	1				
027		326274-8	RING 17	1				
028		262166-6	RUBBER RING 18	1				
029		454347-8	SLIDE SLEEVE	1				
030		326270-6	STRIKER	1				
031		213695-2	O-RING 22	1				
032		234289-0	COMPRESSION SPRING 33	1				
033		346673-8	GUIDE RING	1				
034		256548-2	FLAT FILLISTER HEAD PIN 6	1				
035		346671-2	LINK PLATE	1				
036		313255-1	DRIVING SLEEVE	1				
037		257991-8	RETAINING RING (EXT) WR-32.5	1				
038		257340-9	RING 33	1				
039		267470-8	FLAT WASHER 33	1				
040		234287-4	COMPRESSION SPRING 34	1				
041		267470-8	FLAT WASHER 33	1				
042		332063-1	CYLINDER 28.5	1				
043		257991-8	RETAINING RING (EXT) WR-32.5	1				
044		213406-5	O RING 30	3				
045		256197-5	PIN 7	1				
046		419004-5	PISTON	1				
047		213379-2	O RING 21	1				
048		213695-2	O-RING 22	1				
049		454317-7	CONNECTING ROD	1				
050		424560-2	HOUSING CAP	1				
051		141957-7	HOUSING COVER A COMPLETE	1				
052		227613-4	SPIRAL BEVEL GEAR 26	1				
053		454342-8	SPRING PLATE	2				
054		234286-6	COMPRESSION SPRING 11	2				
055		326273-0	COUNTER WEIGHT	2				
056		234286-6	COMPRESSION SPRING 11	2				
057		213325-5	O RING 19	2				
058		142289-5	HOLDER COMPLETE	2				
059		265995-6	TAPPING SCREW 4X18	1				
060		454326-6	CHANGE LEVER	1				
061		318988-3	CRANK CAP COVER	1				
062		454339-7	CONTROL PLATE	1				

A:HR4013C(H)
B:HR4013CV(H)

Interchange
O : Yes
X : No
< : the new part can be substituted for the current.
> : the current part can be substituted for the new.
S : Interchangeable as a set.

HR4013C / 40MM ROTARY HAMMER

IT

Item	Sub	Parts No.	Parts Description	Qty	I/C	E/C No.	Close No.	Remark
063		454340-2	SLIDE PLATE	1				
064		234284-0	COMPRESSION SPRING 4	1				
065		454345-2	CRANK LEVER	1				
066		213262-3	O RING 18	1				
067		424556-3	FILTER CAP	1				
068		443182-9	FILTER	1				
069		454319-3	CRANK CAP	1				
070		911128-8	PAN HEAD SCREW M4X16	6				
071		424559-7	SEAL RING B	1				
072		232280-2	LEAF SPRING	1				
073		454318-5	LINK LEVER	1				
074		911511-9	PAN HEAD SCREW M4X10	1				
075		266041-8	TAPPING SCREW 5X25	4				
076		233603-7	TORSION SPRING 7	1				
077		454338-9	LINK GUIDE	1				
078		141953-5	CRANK HOUSING A COMPLETE	1				
079		126290-8	TORQUE LIMITER ASSEMBLY	1				
	D10		INC. 80-87					
080		254239-9	KEY 4	2				
081		227612-6	SPIRAL BEVEL GEAR 7	1				
082		211232-6	BALL BEARING 6002LLU	1				
083		141959-3	TORQUE LIMITER COMPLETE	1				
084		324727-1	SHOULDER WASHER 8	1				
085		210005-4	BALL BEARING 608DDW	1				
086		253215-0	FLAT WASHER 8	1				
087		961004-6	RETAINING RING S-8	1				
088		326271-4	CRANK SHAFT	1				
089		211332-2	BALL BEARING 6004LLU	1				
090		961060-6	RETAINING RING S-20	1				
091		227772-4	HELICAL GEAR 37	1				
093		253180-3	FLAT WASHER 10	1				
094		424558-9	SEAL RING A	1				
095		141955-1	GEAR HOUSING COMPLETE	1				
096		213231-4	OIL SEAL 15	1				
097		331596-3	SLEEVE 12	1				
098		211137-0	BALL BEARING 6201LLU	1				
099		253744-3	FLAT WASHER 12	1				
100		513888-4	ARMATURE ASS'Y 220-240V	1				
	D10		INC. 97,98,99,101,102					
101		681650-6	INSULATION WASHER	1				
102		210005-4	BALL BEARING 608DDW	1				
103		267721-9	WAVE WASHER 15	1				
104		266568-8	TAPPING SCREW 5X80	2				
105		454329-0	BAFFLE PLATE	1				
106		625758-6	FIELD 220-240V	1				
107		632A84-2	BRUSH HOLDE UNIT	1				
108		194160-9	CARBON BRUSH CB-350	1				
109		454348-6	GUARD 40	1				
110		265999-8	TAPPING SCREW 4X25	2				
111		454316-9	MOTOR HOUSING	1				
112		240146-2	FAN 76	1				
113		253047-5	FLAT WASHER 6	1				
114		931303-0	HEX. NUT M6	1				
115		454328-2	REAR COVER	1				
116		265995-6	TAPPING SCREW 4X18	2				
117		695123-3	POWER SUPPLY CORD 1.5-2-4.0	1				
118		682560-0	CORD GUARD 10	1				
119		419024-9	CORD CLAMP BASE	1				
120		265995-6	TAPPING SCREW 4X18	1				
121		687169-3	STRAIN RELIEF	1				
122		265995-6	TAPPING SCREW 4X18	1				
123		620200-2	CONTROLLER	1				
124		265995-6	TAPPING SCREW 4X18	1				
125		632B52-1	LEAD UNIT	1				
126		454346-0	LENS	1				

A:HR4013C(H)
B:HR4013CV(H)

Interchange
O : Yes
X : No
< : the new part can be substituted for the current.
> : the current part can be substituted for the new.
S : Interchangeable as a set.

HR4013C / 40MM ROTARY HAMMER

IT

Item	Sub	Parts No.	Parts Description	Qty	I/C	E/C No.	Close No.	Remark
127		265999-8	TAPPING SCREW 4X25	2				
128		253194-2	FLAT WASHER 5	2				
129		257813-2	SLEEVE 9	2				
130		454320-8	HANDLE BASE	1				
131		266041-8	TAPPING SCREW 5X25	2				
132		814T16-7	HR4013C NAME PLATE	1				
133		454343-6	DUST SUPPORT A	1				
134		234283-2	COMPRESSION SPRING 18.5	2				
135		454344-4	DUST SUPPORT B	1				
136		424557-1	DUST COVER	1				
137		454321-6	HANDLE A	1				
138		265999-8	TAPPING SCREW 4X25	4				
139		454332-1	SWITCH LEVER A	1				
140		234285-8	COMPRESSION SPRING 7	1				
141		454327-4	SUB LEVER	1				
142		268309-8	PIN	1				
143		154626-1	SWITCH HOLDER COMPLETE	1				
144		650678-5	SWITCH C3PA-1121	1				
145		454323-2	HANDLE COVER	1				
146		265995-6	TAPPING SCREW 4X18	1				
147		234281-6	COMPRESSION SPRING 6	1				
148		632A83-4	SWITCH UNIT	1				
149		454336-3	SWITCH LEVER C	1				
150		187692-3	SWITCH CASE SET	1				
	D10		INC. 152					
151		911128-8	PAN HEAD SCREW M4X16	4				
152		187692-3	SWITCH CASE SET	1				
	D10		INC. 150					
153		234282-4	COMPRESSION SPRING 12	2				
A01		123138-5	SIDE GRIP ASSEMBLY	1				
A02		196792-8	SIDE HANDLE 73 SET	1				
A03		194683-7	GREASE VESSEL SET	1				
	C10	837544-5	INNER TRAY	1				
	C20	801Y02-7	INDICATION LABEL	1				
	C30	162271-8	LATCH	2				
A04A		196278-2	PLASTIC CASE SET	1				
A04B		196531-6	PLASTIC CASE SET	1				
	C40	801Y03-5	INDICATION LABEL	1				
A05		331955-1	DEPTH GAUGE	1				
A06		443122-7	CLOTH	1				
A11B		123066-4	DEPTH GAUGE B ASSEMBLY	1				
A12B		162356-0	DUST COVER COMPLETE	1				
A13B		424472-9	DUST COVER CAP	2				
A14B		453115-6	JOINT	2				
A15B		453118-0	BELLOWS	2				
A16B		453674-0	JOINT 25	1				
A17B		454809-6	HOSE HOLDER C	1				

A:HR4013C(H)
B:HR4013CV(H)

Interchange
O : Yes
X : No
< : the new part can be substituted for the current.
> : the current part can be substituted for the new.
S : Interchangeable as a set.

HR4013C / 40MM ROTARY HAMMER

IT

Item	Sub	Parts No.	Parts Description	Qty	I/C	E/C No.	Close No.	Remark
001		286292-7	TOOL HOLDER CAP	1				
002		233948-3	RING SPRING 25	1				
003		257308-5	RING 28	1				
004		454330-5	CHUCK COVER	1				
005		262167-4	RUBBER RING 30	1				
006		326272-2	CHUCK RING	1				
007		454331-3	RELEASE COVER	1				
008		346670-4	SPRING GUIDE	1				
009		234288-2	COMPRESSION SPRING 46	1				
010		346670-4	SPRING GUIDE	1				
011		213615-6	O RING 46	1				
012		922351-0	HEX. SOCKET HEAD BOLT M6X30	4				
013		141956-9	BARREL COMPLETE	1				
	C10	213246-1	O-RING 38 SA1004	1				
	C20	213490-0	OIL SEAL 32	1				
	C30	213492-6	O-RING 32	1				
014		454337-1	LOCK SLEEVE	1				
015		234290-5	RING SPRING 59	1				
016		213707-1	O RING 65	1				
017		267469-3	FLAT WASHER 32	1				
018		262168-2	RUBBER RING 32	1				
019		267469-3	FLAT WASHER 32	1				
020		310257-8	TOOL RETAINER	2				
021		326268-3	TOOL HOLDER	1				
022		213317-4	O RING 20	1				
023		213392-0	FLUORIDE RING 25	1				
024		213317-4	O RING 20	1				
025		213392-0	FLUORIDE RING 25	1				
026		326269-1	IMPACT BOLT	1				
027		326274-8	RING 17	1				
028		262166-6	RUBBER RING 18	1				
029		454347-8	SLIDE SLEEVE	1				
030		326270-6	STRIKER	1				
031		213695-2	O-RING 22	1				
032		234289-0	COMPRESSION SPRING 33	1				
033		346673-8	GUIDE RING	1				
034		256548-2	FLAT FILLISTER HEAD PIN 6	1				
035		346671-2	LINK PLATE	1				
036		313255-1	DRIVING SLEEVE	1				
037		257991-8	RETAINING RING (EXT) WR-32.5	1				
038		257340-9	RING 33	1				
039		267470-8	FLAT WASHER 33	1				
040		234287-4	COMPRESSION SPRING 34	1				
041		267470-8	FLAT WASHER 33	1				
042		332063-1	CYLINDER 28.5	1				
043		257991-8	RETAINING RING (EXT) WR-32.5	1				
044		213406-5	O RING 30	3				
045		256197-5	PIN 7	1				
046		419004-5	PISTON	1				
047		213379-2	O RING 21	1				
048		213695-2	O-RING 22	1				
049		454317-7	CONNECTING ROD	1				
050		424560-2	HOUSING CAP	1				
051		141957-7	HOUSING COVER A COMPLETE	1				
052		227613-4	SPIRAL BEVEL GEAR 26	1				
053		454342-8	SPRING PLATE	2				
054		234286-6	COMPRESSION SPRING 11	2				
055		326273-0	COUNTER WEIGHT	2				
056		234286-6	COMPRESSION SPRING 11	2				
057		213325-5	O RING 19	2				
058		142289-5	HOLDER COMPLETE	2				
059		265995-6	TAPPING SCREW 4X18	1				
060		454326-6	CHANGE LEVER	1				
061		318988-3	CRANK CAP COVER	1				
062		454339-7	CONTROL PLATE	1				

A:HR4013C(H)
B:HR4013CV(H)

Interchange
O : Yes
X : No
< : the new part can be substituted for the current.
> : the current part can be substituted for the new.
S : Interchangeable as a set.

HR4013C / 40MM ROTARY HAMMER

IT

Item	Sub	Parts No.	Parts Description	Qty	I/C	E/C No.	Close No.	Remark
063		454340-2	SLIDE PLATE	1				
064		234284-0	COMPRESSION SPRING 4	1				
065		454345-2	CRANK LEVER	1				
066		213262-3	O RING 18	1				
067		424556-3	FILTER CAP	1				
068		443182-9	FILTER	1				
069		454319-3	CRANK CAP	1				
070		911128-8	PAN HEAD SCREW M4X16	6				
071		424559-7	SEAL RING B	1				
072		232280-2	LEAF SPRING	1				
073		454318-5	LINK LEVER	1				
074		911511-9	PAN HEAD SCREW M4X10	1				
075		266041-8	TAPPING SCREW 5X25	4				
076		233603-7	TORSION SPRING 7	1				
077		454338-9	LINK GUIDE	1				
078		141953-5	CRANK HOUSING A COMPLETE	1				
079		126290-8	TORQUE LIMITER ASSEMBLY	1				
	D10		INC. 80-87					
080		254239-9	KEY 4	2				
081		227612-6	SPIRAL BEVEL GEAR 7	1				
082		211232-6	BALL BEARING 6002LLU	1				
083		141959-3	TORQUE LIMITER COMPLETE	1				
084		324727-1	SHOULDER WASHER 8	1				
085		210005-4	BALL BEARING 608DDW	1				
086		253215-0	FLAT WASHER 8	1				
087		961004-6	RETAINING RING S-8	1				
088		326271-4	CRANK SHAFT	1				
089		211332-2	BALL BEARING 6004LLU	1				
090		961060-6	RETAINING RING S-20	1				
091		227772-4	HELICAL GEAR 37	1				
093		253180-3	FLAT WASHER 10	1				
094		424558-9	SEAL RING A	1				
095		141955-1	GEAR HOUSING COMPLETE	1				
096		213231-4	OIL SEAL 15	1				
097		331596-3	SLEEVE 12	1				
098		211137-0	BALL BEARING 6201LLU	1				
099		253744-3	FLAT WASHER 12	1				
100		513888-4	ARMATURE ASS'Y 220-240V	1				
	D10		INC. 97,98,99,101,102					
101		681650-6	INSULATION WASHER	1				
102		210005-4	BALL BEARING 608DDW	1				
103		267721-9	WAVE WASHER 15	1				
104		266568-8	TAPPING SCREW 5X80	2				
105		454329-0	BAFFLE PLATE	1				
106		625758-6	FIELD 220-240V	1				
107		632A84-2	BRUSH HOLDE UNIT	1				
108		194160-9	CARBON BRUSH CB-350	1				
109		454348-6	GUARD 40	1				
110		265999-8	TAPPING SCREW 4X25	2				
111		454316-9	MOTOR HOUSING	1				
112		240146-2	FAN 76	1				
113		253047-5	FLAT WASHER 6	1				
114		931303-0	HEX. NUT M6	1				
115		454328-2	REAR COVER	1				
116		265995-6	TAPPING SCREW 4X18	2				
117		695123-3	POWER SUPPLY CORD 1.5-2-4.0	1				
118		682560-0	CORD GUARD 10	1				
119		419024-9	CORD CLAMP BASE	1				
120		265995-6	TAPPING SCREW 4X18	1				
121		687169-3	STRAIN RELIEF	1				
122		265995-6	TAPPING SCREW 4X18	1				
123		620200-2	CONTROLLER	1				
124		265995-6	TAPPING SCREW 4X18	1				
125		632B52-1	LEAD UNIT	1				
126		454346-0	LENS	1				

A:HR4013C(H)
B:HR4013CV(H)

Interchange
O : Yes
X : No
< : the new part can be substituted for the current.
> : the current part can be substituted for the new.
S : Interchangeable as a set.

HR4013C / 40MM ROTARY HAMMER



Item	Sub	Parts No.	Parts Description	Qty	I/C	E/C No.	Close No.	Remark
001		286292-7	TOOL HOLDER CAP	1				
002		233948-3	RING SPRING 25	1				
003		257308-5	RING 28	1				
004		454330-5	CHUCK COVER	1				
005		262167-4	RUBBER RING 30	1				
006		326272-2	CHUCK RING	1				
007		454331-3	RELEASE COVER	1				
008		346670-4	SPRING GUIDE	1				
009		234288-2	COMPRESSION SPRING 46	1				
010		346670-4	SPRING GUIDE	1				
011		213615-6	O RING 46	1				
012		922351-0	HEX. SOCKET HEAD BOLT M6X30	4				
013		141956-9	BARREL COMPLETE	1				
	C10	213246-1	O-RING 38 SA1004	1				
	C20	213490-0	OIL SEAL 32	1				
	C30	213492-6	O-RING 32	1				
014		454337-1	LOCK SLEEVE	1				
015		234290-5	RING SPRING 59	1				
016		213707-1	O RING 65	1				
017		267469-3	FLAT WASHER 32	1				
018		262168-2	RUBBER RING 32	1				
019		267469-3	FLAT WASHER 32	1				
020		310257-8	TOOL RETAINER	2				
021		326268-3	TOOL HOLDER	1				
022		213317-4	O RING 20	1				
023		213392-0	FLUORIDE RING 25	1				
024		213317-4	O RING 20	1				
025		213392-0	FLUORIDE RING 25	1				
026		326269-1	IMPACT BOLT	1				
027		326274-8	RING 17	1				
028		262166-6	RUBBER RING 18	1				
029		454347-8	SLIDE SLEEVE	1				
030		326270-6	STRIKER	1				
031		213695-2	O-RING 22	1				
032		234289-0	COMPRESSION SPRING 33	1				
033		346673-8	GUIDE RING	1				
034		256548-2	FLAT FILLISTER HEAD PIN 6	1				
035		346671-2	LINK PLATE	1				
036		313255-1	DRIVING SLEEVE	1				
037		257991-8	RETAINING RING (EXT) WR-32.5	1				
038		257340-9	RING 33	1				
039		267470-8	FLAT WASHER 33	1				
040		234287-4	COMPRESSION SPRING 34	1				
041		267470-8	FLAT WASHER 33	1				
042		332063-1	CYLINDER 28.5	1				
043		257991-8	RETAINING RING (EXT) WR-32.5	1				
044		213406-5	O RING 30	3				
045		256197-5	PIN 7	1				
046		419004-5	PISTON	1				
047		213379-2	O RING 21	1				
048		213695-2	O-RING 22	1				
049		454317-7	CONNECTING ROD	1				
050		424560-2	HOUSING CAP	1				
051		141957-7	HOUSING COVER A COMPLETE	1				
052		227613-4	SPIRAL BEVEL GEAR 26	1				
053		454342-8	SPRING PLATE	2				
054		234286-6	COMPRESSION SPRING 11	2				
055		326273-0	COUNTER WEIGHT	2				
056		234286-6	COMPRESSION SPRING 11	2				
057		213325-5	O RING 19	2				
058		142289-5	HOLDER COMPLETE	2				
059		265995-6	TAPPING SCREW 4X18	1				
060		454326-6	CHANGE LEVER	1				
061		318988-3	CRANK CAP COVER	1				
062		454339-7	CONTROL PLATE	1				

Interchange
O : Yes
X : No
< : the new part can be substituted for the current.
> : the current part can be substituted for the new.
S : Interchangeable as a set.

HR4013C / 40MM ROTARY HAMMER



Item	Sub	Parts No.	Parts Description	Qty	I/C	E/C No.	Close No.	Remark
063		454340-2	SLIDE PLATE	1				
064		234284-0	COMPRESSION SPRING 4	1				
065		454345-2	CRANK LEVER	1				
066		213262-3	O RING 18	1				
067		424556-3	FILTER CAP	1				
068		443182-9	FILTER	1				
069		454319-3	CRANK CAP	1				
070		911128-8	PAN HEAD SCREW M4X16	6				
071		424559-7	SEAL RING B	1				
072		232280-2	LEAF SPRING	1				
073		454318-5	LINK LEVER	1				
074		911511-9	PAN HEAD SCREW M4X10	1				
075		266041-8	TAPPING SCREW 5X25	4				
076		233603-7	TORSION SPRING 7	1				
077		454338-9	LINK GUIDE	1				
078		141953-5	CRANK HOUSING A COMPLETE	1				
079		126290-8	TORQUE LIMITER ASSEMBLY	1				
	D10		INC. 80-87					
080		254239-9	KEY 4	2				
081		227612-6	SPIRAL BEVEL GEAR 7	1				
082		211232-6	BALL BEARING 6002LLU	1				
083		141959-3	TORQUE LIMITER COMPLETE	1				
084		324727-1	SHOULDER WASHER 8	1				
085		210005-4	BALL BEARING 608DDW	1				
086		253215-0	FLAT WASHER 8	1				
087		961004-6	RETAINING RING S-8	1				
088		326271-4	CRANK SHAFT	1				
089		211332-2	BALL BEARING 6004LLU	1				
090		961060-6	RETAINING RING S-20	1				
091		227772-4	HELICAL GEAR 37	1				
093		253180-3	FLAT WASHER 10	1				
094		424558-9	SEAL RING A	1				
095		141955-1	GEAR HOUSING COMPLETE	1				
096		213231-4	OIL SEAL 15	1				
097		331596-3	SLEEVE 12	1				
098		211137-0	BALL BEARING 6201LLU	1				
099		253744-3	FLAT WASHER 12	1				
100		513886-8	ARMATURE ASS'Y 115V	1				
	D10		INC. 97,98,99,101,102					
101		681650-6	INSULATION WASHER	1				
102		210005-4	BALL BEARING 608DDW	1				
103		267721-9	WAVE WASHER 15	1				
104		266568-8	TAPPING SCREW 5X80	2				
105		454329-0	BAFFLE PLATE	1				
106		625756-0	FIELD 115V	1				
107		632A84-2	BRUSH HOLDE UNIT	1			A7312	
107-1		632E31-7	BRUSH HOLDE UNIT	1	S	A7312		
108		195004-6	CARBON BRUSH SET CB-350	1			A7312	
108-1		197244-2	CARBON BRUSH CB-351	1	S	A7312		
109		454348-6	GUARD 40	1				
110		265999-8	TAPPING SCREW 4X25	2				
111		454316-9	MOTOR HOUSING	1				
112		240146-2	FAN 76	1				
113		253047-5	FLAT WASHER 6	1				
114		931303-0	HEX. NUT M6	1				
115		454328-2	REAR COVER	1				
116		265995-6	TAPPING SCREW 4X18	2				
117		664276-9	POWER SUPPLY CORD AWG#16-2-5.0	1				
118		682560-0	CORD GUARD 10	1				
119		419024-9	CORD CLAMP BASE	1				
120		265995-6	TAPPING SCREW 4X18	1				
121		687169-3	STRAIN RELIEF	1				
122		265995-6	TAPPING SCREW 4X18	1				
123		620199-1	CONTROLLER	1				
124		265995-6	TAPPING SCREW 4X18	1				

Interchange
O : Yes
X : No
< : the new part can be substituted for the current.
> : the current part can be substituted for the new.
S : Interchangeable as a set.

HR4013C / 40MM ROTARY HAMMER

NL

Item	Sub	Parts No.	Parts Description	Qty	I/C	E/C No.	Close No.	Remark
001		286292-7	TOOL HOLDER CAP	1				
002		233948-3	RING SPRING 25	1				
003		257308-5	RING 28	1				
004		454330-5	CHUCK COVER	1				
005		262167-4	RUBBER RING 30	1				
006		326272-2	CHUCK RING	1				
007		454331-3	RELEASE COVER	1				
008		346670-4	SPRING GUIDE	1				
009		234288-2	COMPRESSION SPRING 46	1				
010		346670-4	SPRING GUIDE	1				
011		213615-6	O RING 46	1				
012		922351-0	HEX. SOCKET HEAD BOLT M6X30	4				
013		141956-9	BARREL COMPLETE	1				
	C10	213246-1	O-RING 38 SA1004	1				
	C20	213490-0	OIL SEAL 32	1				
	C30	213492-6	O-RING 32	1				
014		454337-1	LOCK SLEEVE	1				
015		234290-5	RING SPRING 59	1				
016		213707-1	O RING 65	1				
017		267469-3	FLAT WASHER 32	1				
018		262168-2	RUBBER RING 32	1				
019		267469-3	FLAT WASHER 32	1				
020		310257-8	TOOL RETAINER	2				
021		326268-3	TOOL HOLDER	1				
022		213317-4	O RING 20	1				
023		213392-0	FLUORIDE RING 25	1				
024		213317-4	O RING 20	1				
025		213392-0	FLUORIDE RING 25	1				
026		326269-1	IMPACT BOLT	1				
027		326274-8	RING 17	1				
028		262166-6	RUBBER RING 18	1				
029		454347-8	SLIDE SLEEVE	1				
030		326270-6	STRIKER	1				
031		213695-2	O-RING 22	1				
032		234289-0	COMPRESSION SPRING 33	1				
033		346673-8	GUIDE RING	1				
034		256548-2	FLAT FILLISTER HEAD PIN 6	1				
035		346671-2	LINK PLATE	1				
036		313255-1	DRIVING SLEEVE	1				
037		257991-8	RETAINING RING (EXT) WR-32.5	1				
038		257340-9	RING 33	1				
039		267470-8	FLAT WASHER 33	1				
040		234287-4	COMPRESSION SPRING 34	1				
041		267470-8	FLAT WASHER 33	1				
042		332063-1	CYLINDER 28.5	1				
043		257991-8	RETAINING RING (EXT) WR-32.5	1				
044		213406-5	O RING 30	3				
045		256197-5	PIN 7	1				
046		419004-5	PISTON	1				
047		213379-2	O RING 21	1				
048		213695-2	O-RING 22	1				
049		454317-7	CONNECTING ROD	1				
050		424560-2	HOUSING CAP	1				
051		141957-7	HOUSING COVER A COMPLETE	1				
052		227613-4	SPIRAL BEVEL GEAR 26	1				
053		454342-8	SPRING PLATE	2				
054		234286-6	COMPRESSION SPRING 11	2				
055		326273-0	COUNTER WEIGHT	2				
056		234286-6	COMPRESSION SPRING 11	2				
057		213325-5	O RING 19	2				
058		142289-5	HOLDER COMPLETE	2				
059		265995-6	TAPPING SCREW 4X18	1				
060		454326-6	CHANGE LEVER	1				
061		318988-3	CRANK CAP COVER	1				
062		454339-7	CONTROL PLATE	1				

A:HR4013C(H)
B:HR4013CV(H)

Interchange
O : Yes
X : No
< : the new part can be substituted for the current.
> : the current part can be substituted for the new.
S : Interchangeable as a set.

HR4013C / 40MM ROTARY HAMMER

NL

Item	Sub	Parts No.	Parts Description	Qty	I/C	E/C No.	Close No.	Remark
063		454340-2	SLIDE PLATE	1				
064		234284-0	COMPRESSION SPRING 4	1				
065		454345-2	CRANK LEVER	1				
066		213262-3	O RING 18	1				
067		424556-3	FILTER CAP	1				
068		443182-9	FILTER	1				
069		454319-3	CRANK CAP	1				
070		911128-8	PAN HEAD SCREW M4X16	6				
071		424559-7	SEAL RING B	1				
072		232280-2	LEAF SPRING	1				
073		454318-5	LINK LEVER	1				
074		911511-9	PAN HEAD SCREW M4X10	1				
075		266041-8	TAPPING SCREW 5X25	4				
076		233603-7	TORSION SPRING 7	1				
077		454338-9	LINK GUIDE	1				
078		141953-5	CRANK HOUSING A COMPLETE	1				
079		126290-8	TORQUE LIMITER ASSEMBLY	1				
	D10		INC. 80-87					
080		254239-9	KEY 4	2				
081		227612-6	SPIRAL BEVEL GEAR 7	1				
082		211232-6	BALL BEARING 6002LLU	1				
083		141959-3	TORQUE LIMITER COMPLETE	1				
084		324727-1	SHOULDER WASHER 8	1				
085		210005-4	BALL BEARING 608DDW	1				
086		253215-0	FLAT WASHER 8	1				
087		961004-6	RETAINING RING S-8	1				
088		326271-4	CRANK SHAFT	1				
089		211332-2	BALL BEARING 6004LLU	1				
090		961060-6	RETAINING RING S-20	1				
091		227772-4	HELICAL GEAR 37	1				
093		253180-3	FLAT WASHER 10	1				
094		424558-9	SEAL RING A	1				
095		141955-1	GEAR HOUSING COMPLETE	1				
096		213231-4	OIL SEAL 15	1				
097		331596-3	SLEEVE 12	1				
098		211137-0	BALL BEARING 6201LLU	1				
099		253744-3	FLAT WASHER 12	1				
100		513888-4	ARMATURE ASS'Y 220-240V	1				
	D10		INC. 97,98,99,101,102					
101		681650-6	INSULATION WASHER	1				
102		210005-4	BALL BEARING 608DDW	1				
103		267721-9	WAVE WASHER 15	1				
104		266568-8	TAPPING SCREW 5X80	2				
105		454329-0	BAFFLE PLATE	1				
106		625758-6	FIELD 220-240V	1				
107		632A84-2	BRUSH HOLDE UNIT	1				
108		194160-9	CARBON BRUSH CB-350	1				
109		454348-6	GUARD 40	1				
110		265999-8	TAPPING SCREW 4X25	2				
111		454316-9	MOTOR HOUSING	1				
112		240146-2	FAN 76	1				
113		253047-5	FLAT WASHER 6	1				
114		931303-0	HEX. NUT M6	1				
115		454328-2	REAR COVER	1				
116		265995-6	TAPPING SCREW 4X18	2				
117		695123-3	POWER SUPPLY CORD 1.5-2-4.0	1				
118		682560-0	CORD GUARD 10	1				
119		419024-9	CORD CLAMP BASE	1				
120		265995-6	TAPPING SCREW 4X18	1				
121		687169-3	STRAIN RELIEF	1				
122		265995-6	TAPPING SCREW 4X18	1				
123		620200-2	CONTROLLER	1				
124		265995-6	TAPPING SCREW 4X18	1				
125		632B52-1	LEAD UNIT	1				
126		454346-0	LENS	1				

A:HR4013C(H)
B:HR4013CV(H)

Interchange
O : Yes
X : No
< : the new part can be substituted for the current.
> : the current part can be substituted for the new.
S : Interchangeable as a set.

HR4013C / 40MM ROTARY HAMMER

NL

Item	Sub	Parts No.	Parts Description	Qty	I/C	E/C No.	Close No.	Remark
001		286292-7	TOOL HOLDER CAP	1				
002		233948-3	RING SPRING 25	1				
003		257308-5	RING 28	1				
004		454330-5	CHUCK COVER	1				
005		262167-4	RUBBER RING 30	1				
006		326272-2	CHUCK RING	1				
007		454331-3	RELEASE COVER	1				
008		346670-4	SPRING GUIDE	1				
009		234288-2	COMPRESSION SPRING 46	1				
010		346670-4	SPRING GUIDE	1				
011		213615-6	O RING 46	1				
012		922351-0	HEX. SOCKET HEAD BOLT M6X30	4				
013		141956-9	BARREL COMPLETE	1				
	C10	213246-1	O-RING 38 SA1004	1				
	C20	213490-0	OIL SEAL 32	1				
	C30	213492-6	O-RING 32	1				
014		454337-1	LOCK SLEEVE	1				
015		234290-5	RING SPRING 59	1				
016		213707-1	O RING 65	1				
017		267469-3	FLAT WASHER 32	1				
018		262168-2	RUBBER RING 32	1				
019		267469-3	FLAT WASHER 32	1				
020		310257-8	TOOL RETAINER	2				
021		326268-3	TOOL HOLDER	1				
022		213317-4	O RING 20	1				
023		213392-0	FLUORIDE RING 25	1				
024		213317-4	O RING 20	1				
025		213392-0	FLUORIDE RING 25	1				
026		326269-1	IMPACT BOLT	1				
027		326274-8	RING 17	1				
028		262166-6	RUBBER RING 18	1				
029		454347-8	SLIDE SLEEVE	1				
030		326270-6	STRIKER	1				
031		213695-2	O-RING 22	1				
032		234289-0	COMPRESSION SPRING 33	1				
033		346673-8	GUIDE RING	1				
034		256548-2	FLAT FILLISTER HEAD PIN 6	1				
035		346671-2	LINK PLATE	1				
036		313255-1	DRIVING SLEEVE	1				
037		257991-8	RETAINING RING (EXT) WR-32.5	1				
038		257340-9	RING 33	1				
039		267470-8	FLAT WASHER 33	1				
040		234287-4	COMPRESSION SPRING 34	1				
041		267470-8	FLAT WASHER 33	1				
042		332063-1	CYLINDER 28.5	1				
043		257991-8	RETAINING RING (EXT) WR-32.5	1				
044		213406-5	O RING 30	3				
045		256197-5	PIN 7	1				
046		419004-5	PISTON	1				
047		213379-2	O RING 21	1				
048		213695-2	O-RING 22	1				
049		454317-7	CONNECTING ROD	1				
050		424560-2	HOUSING CAP	1				
051		141957-7	HOUSING COVER A COMPLETE	1				
052		227613-4	SPIRAL BEVEL GEAR 26	1				
053		454342-8	SPRING PLATE	2				
054		234286-6	COMPRESSION SPRING 11	2				
055		326273-0	COUNTER WEIGHT	2				
056		234286-6	COMPRESSION SPRING 11	2				
057		213325-5	O RING 19	2				
058		142289-5	HOLDER COMPLETE	2				
059		265995-6	TAPPING SCREW 4X18	1				
060		454326-6	CHANGE LEVER	1				
061		318988-3	CRANK CAP COVER	1				
062		454339-7	CONTROL PLATE	1				

A:HR4013C(H)
B:HR4013CV(H)

Interchange
O : Yes
X : No
< : the new part can be substituted for the current.
> : the current part can be substituted for the new.
S : Interchangeable as a set.

HR4013C / 40MM ROTARY HAMMER

NL

Item	Sub	Parts No.	Parts Description	Qty	I/C	E/C No.	Close No.	Remark
063		454340-2	SLIDE PLATE	1				
064		234284-0	COMPRESSION SPRING 4	1				
065		454345-2	CRANK LEVER	1				
066		213262-3	O RING 18	1				
067		424556-3	FILTER CAP	1				
068		443182-9	FILTER	1				
069		454319-3	CRANK CAP	1				
070		911128-8	PAN HEAD SCREW M4X16	6				
071		424559-7	SEAL RING B	1				
072		232280-2	LEAF SPRING	1				
073		454318-5	LINK LEVER	1				
074		911511-9	PAN HEAD SCREW M4X10	1				
075		266041-8	TAPPING SCREW 5X25	4				
076		233603-7	TORSION SPRING 7	1				
077		454338-9	LINK GUIDE	1				
078		141953-5	CRANK HOUSING A COMPLETE	1				
079		126290-8	TORQUE LIMITER ASSEMBLY	1				
	D10		INC. 80-87					
080		254239-9	KEY 4	2				
081		227612-6	SPIRAL BEVEL GEAR 7	1				
082		211232-6	BALL BEARING 6002LLU	1				
083		141959-3	TORQUE LIMITER COMPLETE	1				
084		324727-1	SHOULDER WASHER 8	1				
085		210005-4	BALL BEARING 608DDW	1				
086		253215-0	FLAT WASHER 8	1				
087		961004-6	RETAINING RING S-8	1				
088		326271-4	CRANK SHAFT	1				
089		211332-2	BALL BEARING 6004LLU	1				
090		961060-6	RETAINING RING S-20	1				
091		227772-4	HELICAL GEAR 37	1				
093		253180-3	FLAT WASHER 10	1				
094		424558-9	SEAL RING A	1				
095		141955-1	GEAR HOUSING COMPLETE	1				
096		213231-4	OIL SEAL 15	1				
097		331596-3	SLEEVE 12	1				
098		211137-0	BALL BEARING 6201LLU	1				
099		253744-3	FLAT WASHER 12	1				
100		513888-4	ARMATURE ASS'Y 220-240V	1				
	D10		INC. 97,98,99,101,102					
101		681650-6	INSULATION WASHER	1				
102		210005-4	BALL BEARING 608DDW	1				
103		267721-9	WAVE WASHER 15	1				
104		266568-8	TAPPING SCREW 5X80	2				
105		454329-0	BAFFLE PLATE	1				
106		625758-6	FIELD 220-240V	1				
107		632A84-2	BRUSH HOLDE UNIT	1				
108		194160-9	CARBON BRUSH CB-350	1				
109		454348-6	GUARD 40	1				
110		265999-8	TAPPING SCREW 4X25	2				
111		454316-9	MOTOR HOUSING	1				
112		240146-2	FAN 76	1				
113		253047-5	FLAT WASHER 6	1				
114		931303-0	HEX. NUT M6	1				
115		454328-2	REAR COVER	1				
116		265995-6	TAPPING SCREW 4X18	2				
117		695123-3	POWER SUPPLY CORD 1.5-2-4.0	1				
118		682560-0	CORD GUARD 10	1				
119		419024-9	CORD CLAMP BASE	1				
120		265995-6	TAPPING SCREW 4X18	1				
121		687169-3	STRAIN RELIEF	1				
122		265995-6	TAPPING SCREW 4X18	1				
123		620200-2	CONTROLLER	1				
124		265995-6	TAPPING SCREW 4X18	1				
125		632B52-1	LEAD UNIT	1				
126		454346-0	LENS	1				

A:HR4013C(H)
B:HR4013CV(H)

Interchange
O : Yes
X : No
< : the new part can be substituted for the current.
> : the current part can be substituted for the new.
S : Interchangeable as a set.

HR4013C / 40MM ROTARY HAMMER

NZ

Item	Sub	Parts No.	Parts Description	Qty	I/C	E/C No.	Close No.	Remark
001		286292-7	TOOL HOLDER CAP	1				
002		233948-3	RING SPRING 25	1				
003		257308-5	RING 28	1				
004		454330-5	CHUCK COVER	1				
005		262167-4	RUBBER RING 30	1				
006		326272-2	CHUCK RING	1				
007		454331-3	RELEASE COVER	1				
008		346670-4	SPRING GUIDE	1				
009		234288-2	COMPRESSION SPRING 46	1				
010		346670-4	SPRING GUIDE	1				
011		213615-6	O RING 46	1				
012		922351-0	HEX. SOCKET HEAD BOLT M6X30	4				
013		141956-9	BARREL COMPLETE	1				
	C10	213246-1	O-RING 38 SA1004	1				
	C20	213490-0	OIL SEAL 32	1				
	C30	213492-6	O-RING 32	1				
014		454337-1	LOCK SLEEVE	1				
015		234290-5	RING SPRING 59	1				
016		213707-1	O RING 65	1				
017		267469-3	FLAT WASHER 32	1				
018		262168-2	RUBBER RING 32	1				
019		267469-3	FLAT WASHER 32	1				
020		310257-8	TOOL RETAINER	2				
021		326268-3	TOOL HOLDER	1				
022		213317-4	O RING 20	1				
023		213392-0	FLUORIDE RING 25	1				
024		213317-4	O RING 20	1				
025		213392-0	FLUORIDE RING 25	1				
026		326269-1	IMPACT BOLT	1				
027		326274-8	RING 17	1				
028		262166-6	RUBBER RING 18	1				
029		454347-8	SLIDE SLEEVE	1				
030		326270-6	STRIKER	1				
031		213695-2	O-RING 22	1				
032		234289-0	COMPRESSION SPRING 33	1				
033		346673-8	GUIDE RING	1				
034		256548-2	FLAT FILLISTER HEAD PIN 6	1				
035		346671-2	LINK PLATE	1				
036		313255-1	DRIVING SLEEVE	1				
037		257991-8	RETAINING RING (EXT) WR-32.5	1				
038		257340-9	RING 33	1				
039		267470-8	FLAT WASHER 33	1				
040		234287-4	COMPRESSION SPRING 34	1				
041		267470-8	FLAT WASHER 33	1				
042		332063-1	CYLINDER 28.5	1				
043		257991-8	RETAINING RING (EXT) WR-32.5	1				
044		213406-5	O RING 30	3				
045		256197-5	PIN 7	1				
046		419004-5	PISTON	1				
047		213379-2	O RING 21	1				
048		213695-2	O-RING 22	1				
049		454317-7	CONNECTING ROD	1				
050		424560-2	HOUSING CAP	1				
051		141957-7	HOUSING COVER A COMPLETE	1				
052		227613-4	SPIRAL BEVEL GEAR 26	1				
053		454342-8	SPRING PLATE	2				
054		234286-6	COMPRESSION SPRING 11	2				
055		326273-0	COUNTER WEIGHT	2				
056		234286-6	COMPRESSION SPRING 11	2				
057		213325-5	O RING 19	2				
058		142289-5	HOLDER COMPLETE	2				
059		265995-6	TAPPING SCREW 4X18	1				
060		454326-6	CHANGE LEVER	1				
061		318988-3	CRANK CAP COVER	1				
062		454339-7	CONTROL PLATE	1				

Interchange
 O : Yes
 X : No
 < : the new part can be substituted for the current.
 > : the current part can be substituted for the new.
 S : Interchangeable as a set.

HR4013C / 40MM ROTARY HAMMER

NZ

Item	Sub	Parts No.	Parts Description	Qty	I/C	E/C No.	Close No.	Remark
063		454340-2	SLIDE PLATE	1				
064		234284-0	COMPRESSION SPRING 4	1				
065		454345-2	CRANK LEVER	1				
066		213262-3	O RING 18	1				
067		424556-3	FILTER CAP	1				
068		443182-9	FILTER	1				
069		454319-3	CRANK CAP	1				
070		911128-8	PAN HEAD SCREW M4X16	6				
071		424559-7	SEAL RING B	1				
072		232280-2	LEAF SPRING	1				
073		454318-5	LINK LEVER	1				
074		911511-9	PAN HEAD SCREW M4X10	1				
075		266041-8	TAPPING SCREW 5X25	4				
076		233603-7	TORSION SPRING 7	1				
077		454338-9	LINK GUIDE	1				
078		141953-5	CRANK HOUSING A COMPLETE	1				
079		126290-8	TORQUE LIMITER ASSEMBLY	1				
	D10		INC. 80-87					
080		254239-9	KEY 4	2				
081		227612-6	SPIRAL BEVEL GEAR 7	1				
082		211232-6	BALL BEARING 6002LLU	1				
083		141959-3	TORQUE LIMITER COMPLETE	1				
084		324727-1	SHOULDER WASHER 8	1				
085		210005-4	BALL BEARING 608DDW	1				
086		253215-0	FLAT WASHER 8	1				
087		961004-6	RETAINING RING S-8	1				
088		326271-4	CRANK SHAFT	1				
089		211332-2	BALL BEARING 6004LLU	1				
090		961060-6	RETAINING RING S-20	1				
091		227772-4	HELICAL GEAR 37	1				
093		253180-3	FLAT WASHER 10	1				
094		424558-9	SEAL RING A	1				
095		141955-1	GEAR HOUSING COMPLETE	1				
096		213231-4	OIL SEAL 15	1				
097		331596-3	SLEEVE 12	1				
098		211137-0	BALL BEARING 6201LLU	1				
099		253744-3	FLAT WASHER 12	1				
100		513888-4	ARMATURE ASS'Y 220-240V	1				
	D10		INC. 97,98,99,101,102					
101		681650-6	INSULATION WASHER	1				
102		210005-4	BALL BEARING 608DDW	1				
103		267721-9	WAVE WASHER 15	1				
104		266568-8	TAPPING SCREW 5X80	2				
105		454329-0	BAFFLE PLATE	1				
106		625758-6	FIELD 220-240V	1				
107		632A84-2	BRUSH HOLDE UNIT	1				
108		195004-6	CARBON BRUSH SET CB-350	1				
109		454348-6	GUARD 40	1				
110		265999-8	TAPPING SCREW 4X25	2				
111		454316-9	MOTOR HOUSING	1				
112		240146-2	FAN 76	1				
113		253047-5	FLAT WASHER 6	1				
114		931303-0	HEX. NUT M6	1				
115		454328-2	REAR COVER	1				
116		265995-6	TAPPING SCREW 4X18	2				
117		666426-2	POWER SUPPLY CORD 1.00-2-5.0	1				
118		682560-0	CORD GUARD 10	1				
119		419024-9	CORD CLAMP BASE	1				
120		265995-6	TAPPING SCREW 4X18	1				
121		687169-3	STRAIN RELIEF	1				
122		265995-6	TAPPING SCREW 4X18	1				
123		620200-2	CONTROLLER	1				
124		265995-6	TAPPING SCREW 4X18	1				
125		632B52-1	LEAD UNIT	1				
126		454346-0	LENS	1				

Interchange
 O : Yes
 X : No
 < : the new part can be substituted for the current.
 > : the current part can be substituted for the new.
 S : Interchangeable as a set.

HR4013C / 40MM ROTARY HAMMER

PA

Item	Sub	Parts No.	Parts Description	Qty	I/C	E/C No.	Close No.	Remark
001		286292-7	TOOL HOLDER CAP	1				
002		233948-3	RING SPRING 25	1				
003		257308-5	RING 28	1				
004		454330-5	CHUCK COVER	1				
005		262167-4	RUBBER RING 30	1				
006		326272-2	CHUCK RING	1				
007		454331-3	RELEASE COVER	1				
008		346670-4	SPRING GUIDE	1				
009		234288-2	COMPRESSION SPRING 46	1				
010		346670-4	SPRING GUIDE	1				
011		213615-6	O RING 46	1				
012		922351-0	HEX. SOCKET HEAD BOLT M6X30	4				
013		141956-9	BARREL COMPLETE	1				
	C10	213246-1	O-RING 38 SA1004	1				
	C20	213490-0	OIL SEAL 32	1				
	C30	213492-6	O-RING 32	1				
014		454337-1	LOCK SLEEVE	1				
015		234290-5	RING SPRING 59	1				
016		213707-1	O RING 65	1				
017		267469-3	FLAT WASHER 32	1				
018		262168-2	RUBBER RING 32	1				
019		267469-3	FLAT WASHER 32	1				
020		310257-8	TOOL RETAINER	2				
021		326268-3	TOOL HOLDER	1				
022		213317-4	O RING 20	1				
023		213392-0	FLUORIDE RING 25	1				
024		213317-4	O RING 20	1				
025		213392-0	FLUORIDE RING 25	1				
026		326269-1	IMPACT BOLT	1				
027		326274-8	RING 17	1				
028		262166-6	RUBBER RING 18	1				
029		454347-8	SLIDE SLEEVE	1				
030		326270-6	STRIKER	1				
031		213695-2	O-RING 22	1				
032		234289-0	COMPRESSION SPRING 33	1				
033		346673-8	GUIDE RING	1				
034		256548-2	FLAT FILLISTER HEAD PIN 6	1				
035		346671-2	LINK PLATE	1				
036		313255-1	DRIVING SLEEVE	1				
037		257991-8	RETAINING RING (EXT) WR-32.5	1				
038		257340-9	RING 33	1				
039		267470-8	FLAT WASHER 33	1				
040		234287-4	COMPRESSION SPRING 34	1				
041		267470-8	FLAT WASHER 33	1				
042		332063-1	CYLINDER 28.5	1				
043		257991-8	RETAINING RING (EXT) WR-32.5	1				
044		213406-5	O RING 30	3				
045		256197-5	PIN 7	1				
046		419004-5	PISTON	1				
047		213379-2	O RING 21	1				
048		213695-2	O-RING 22	1				
049		454317-7	CONNECTING ROD	1				
050		424560-2	HOUSING CAP	1				
051		141957-7	HOUSING COVER A COMPLETE	1				
052		227613-4	SPIRAL BEVEL GEAR 26	1				
053		454342-8	SPRING PLATE	2				
054		234286-6	COMPRESSION SPRING 11	2				
055		326273-0	COUNTER WEIGHT	2				
056		234286-6	COMPRESSION SPRING 11	2				
057		213325-5	O RING 19	2				
058		142289-5	HOLDER COMPLETE	2				
059		265995-6	TAPPING SCREW 4X18	1				
060		454326-6	CHANGE LEVER	1				
061		318988-3	CRANK CAP COVER	1				
062		454339-7	CONTROL PLATE	1				

Interchange
 O : Yes
 X : No
 < : the new part can be substituted for the current.
 > : the current part can be substituted for the new.
 S : Interchangeable as a set.

HR4013C / 40MM ROTARY HAMMER

PA

Item	Sub	Parts No.	Parts Description	Qty	I/C	E/C No.	Close No.	Remark
063		454340-2	SLIDE PLATE	1				
064		234284-0	COMPRESSION SPRING 4	1				
065		454345-2	CRANK LEVER	1				
066		213262-3	O RING 18	1				
067		424556-3	FILTER CAP	1				
068		443182-9	FILTER	1				
069		454319-3	CRANK CAP	1				
070		911128-8	PAN HEAD SCREW M4X16	6				
071		424559-7	SEAL RING B	1				
072		232280-2	LEAF SPRING	1				
073		454318-5	LINK LEVER	1				
074		911511-9	PAN HEAD SCREW M4X10	1				
075		266041-8	TAPPING SCREW 5X25	4				
076		233603-7	TORSION SPRING 7	1				
077		454338-9	LINK GUIDE	1				
078		141953-5	CRANK HOUSING A COMPLETE	1				
079		126290-8	TORQUE LIMITER ASSEMBLY	1				
	D10		INC. 80-87					
080		254239-9	KEY 4	2				
081		227612-6	SPIRAL BEVEL GEAR 7	1				
082		211232-6	BALL BEARING 6002LLU	1				
083		141959-3	TORQUE LIMITER COMPLETE	1				
084		324727-1	SHOULDER WASHER 8	1				
085		210005-4	BALL BEARING 608DDW	1				
086		253215-0	FLAT WASHER 8	1				
087		961004-6	RETAINING RING S-8	1				
088		326271-4	CRANK SHAFT	1				
089		211332-2	BALL BEARING 6004LLU	1				
090		961060-6	RETAINING RING S-20	1				
091		227772-4	HELICAL GEAR 37	1				
093		253180-3	FLAT WASHER 10	1				
094		424558-9	SEAL RING A	1				
095		141955-1	GEAR HOUSING COMPLETE	1				
096		213231-4	OIL SEAL 15	1				
097		331596-3	SLEEVE 12	1				
098		211137-0	BALL BEARING 6201LLU	1				
099		253744-3	FLAT WASHER 12	1				
100		513886-8	ARMATURE ASS'Y 115V	1				
	D10		INC. 97,98,99,101,102					
101		681650-6	INSULATION WASHER	1				
102		210005-4	BALL BEARING 608DDW	1				
103		267721-9	WAVE WASHER 15	1				
104		266568-8	TAPPING SCREW 5X80	2				
105		454329-0	BAFFLE PLATE	1				
106		625756-0	FIELD 115V	1				
107		632A84-2	BRUSH HOLDE UNIT	1			A7312	
107-1		632E31-7	BRUSH HOLDE UNIT	1	S	A7312		
108		195004-6	CARBON BRUSH SET CB-350	1			A7312	
108-1		197244-2	CARBON BRUSH CB-351	1	S	A7312		
109		454348-6	GUARD 40	1				
110		265999-8	TAPPING SCREW 4X25	2				
111		454316-9	MOTOR HOUSING	1				
112		240146-2	FAN 76	1				
113		253047-5	FLAT WASHER 6	1				
114		931303-0	HEX. NUT M6	1				
115		454328-2	REAR COVER	1				
116		265995-6	TAPPING SCREW 4X18	2				
117		664276-9	POWER SUPPLY CORD AWG#16-2-5.0	1				
118		682560-0	CORD GUARD 10	1				
119		419024-9	CORD CLAMP BASE	1				
120		265995-6	TAPPING SCREW 4X18	1				
121		687169-3	STRAIN RELIEF	1				
122		265995-6	TAPPING SCREW 4X18	1				
123		620199-1	CONTROLLER	1				
124		265995-6	TAPPING SCREW 4X18	1				

Interchange
 O : Yes
 X : No
 < : the new part can be substituted for the current.
 > : the current part can be substituted for the new.
 S : Interchangeable as a set.

HR4013C / 40MM ROTARY HAMMER

PE

Item	Sub	Parts No.	Parts Description	Qty	I/C	E/C No.	Close No.	Remark
001		286292-7	TOOL HOLDER CAP	1				
002		233948-3	RING SPRING 25	1				
003		257308-5	RING 28	1				
004		454330-5	CHUCK COVER	1				
005		262167-4	RUBBER RING 30	1				
006		326272-2	CHUCK RING	1				
007		454331-3	RELEASE COVER	1				
008		346670-4	SPRING GUIDE	1				
009		234288-2	COMPRESSION SPRING 46	1				
010		346670-4	SPRING GUIDE	1				
011		213615-6	O RING 46	1				
012		922351-0	HEX. SOCKET HEAD BOLT M6X30	4				
013		141956-9	BARREL COMPLETE	1				
	C10	213246-1	O-RING 38 SA1004	1				
	C20	213490-0	OIL SEAL 32	1				
	C30	213492-6	O-RING 32	1				
014		454337-1	LOCK SLEEVE	1				
015		234290-5	RING SPRING 59	1				
016		213707-1	O RING 65	1				
017		267469-3	FLAT WASHER 32	1				
018		262168-2	RUBBER RING 32	1				
019		267469-3	FLAT WASHER 32	1				
020		310257-8	TOOL RETAINER	2				
021		326268-3	TOOL HOLDER	1				
022		213317-4	O RING 20	1				
023		213392-0	FLUORIDE RING 25	1				
024		213317-4	O RING 20	1				
025		213392-0	FLUORIDE RING 25	1				
026		326269-1	IMPACT BOLT	1				
027		326274-8	RING 17	1				
028		262166-6	RUBBER RING 18	1				
029		454347-8	SLIDE SLEEVE	1				
030		326270-6	STRIKER	1				
031		213695-2	O-RING 22	1				
032		234289-0	COMPRESSION SPRING 33	1				
033		346673-8	GUIDE RING	1				
034		256548-2	FLAT FILLISTER HEAD PIN 6	1				
035		346671-2	LINK PLATE	1				
036		313255-1	DRIVING SLEEVE	1				
037		257991-8	RETAINING RING (EXT) WR-32.5	1				
038		257340-9	RING 33	1				
039		267470-8	FLAT WASHER 33	1				
040		234287-4	COMPRESSION SPRING 34	1				
041		267470-8	FLAT WASHER 33	1				
042		332063-1	CYLINDER 28.5	1				
043		257991-8	RETAINING RING (EXT) WR-32.5	1				
044		213406-5	O RING 30	3				
045		256197-5	PIN 7	1				
046		419004-5	PISTON	1				
047		213379-2	O RING 21	1				
048		213695-2	O-RING 22	1				
049		454317-7	CONNECTING ROD	1				
050		424560-2	HOUSING CAP	1				
051		141957-7	HOUSING COVER A COMPLETE	1				
052		227613-4	SPIRAL BEVEL GEAR 26	1				
053		454342-8	SPRING PLATE	2				
054		234286-6	COMPRESSION SPRING 11	2				
055		326273-0	COUNTER WEIGHT	2				
056		234286-6	COMPRESSION SPRING 11	2				
057		213325-5	O RING 19	2				
058		142289-5	HOLDER COMPLETE	2				
059		265995-6	TAPPING SCREW 4X18	1				
060		454326-6	CHANGE LEVER	1				
061		318988-3	CRANK CAP COVER	1				
062		454339-7	CONTROL PLATE	1				

Interchange
 O : Yes
 X : No
 < : the new part can be substituted for the current.
 > : the current part can be substituted for the new.
 S : Interchangeable as a set.

HR4013C / 40MM ROTARY HAMMER

PE

Item	Sub	Parts No.	Parts Description	Qty	I/C	E/C No.	Close No.	Remark
063		454340-2	SLIDE PLATE	1				
064		234284-0	COMPRESSION SPRING 4	1				
065		454345-2	CRANK LEVER	1				
066		213262-3	O RING 18	1				
067		424556-3	FILTER CAP	1				
068		443182-9	FILTER	1				
069		454319-3	CRANK CAP	1				
070		911128-8	PAN HEAD SCREW M4X16	6				
071		424559-7	SEAL RING B	1				
072		232280-2	LEAF SPRING	1				
073		454318-5	LINK LEVER	1				
074		911511-9	PAN HEAD SCREW M4X10	1				
075		266041-8	TAPPING SCREW 5X25	4				
076		233603-7	TORSION SPRING 7	1				
077		454338-9	LINK GUIDE	1				
078		141953-5	CRANK HOUSING A COMPLETE	1				
079		126290-8	TORQUE LIMITER ASSEMBLY	1				
	D10		INC. 80-87					
080		254239-9	KEY 4	2				
081		227612-6	SPIRAL BEVEL GEAR 7	1				
082		211232-6	BALL BEARING 6002LLU	1				
083		141959-3	TORQUE LIMITER COMPLETE	1				
084		324727-1	SHOULDER WASHER 8	1				
085		210005-4	BALL BEARING 608DDW	1				
086		253215-0	FLAT WASHER 8	1				
087		961004-6	RETAINING RING S-8	1				
088		326271-4	CRANK SHAFT	1				
089		211332-2	BALL BEARING 6004LLU	1				
090		961060-6	RETAINING RING S-20	1				
091		227772-4	HELICAL GEAR 37	1				
093		253180-3	FLAT WASHER 10	1				
094		424558-9	SEAL RING A	1				
095		141955-1	GEAR HOUSING COMPLETE	1				
096		213231-4	OIL SEAL 15	1				
097		331596-3	SLEEVE 12	1				
098		211137-0	BALL BEARING 6201LLU	1				
099		253744-3	FLAT WASHER 12	1				
100		513888-4	ARMATURE ASS'Y 220-240V	1				
	D10		INC. 97,98,99,101,102					
101		681650-6	INSULATION WASHER	1				
102		210005-4	BALL BEARING 608DDW	1				
103		267721-9	WAVE WASHER 15	1				
104		266568-8	TAPPING SCREW 5X80	2				
105		454329-0	BAFFLE PLATE	1				
106		625758-6	FIELD 220-240V	1				
107		632A84-2	BRUSH HOLDE UNIT	1				
108		195004-6	CARBON BRUSH SET CB-350	1				
109		454348-6	GUARD 40	1				
110		265999-8	TAPPING SCREW 4X25	2				
111		454316-9	MOTOR HOUSING	1				
112		240146-2	FAN 76	1				
113		253047-5	FLAT WASHER 6	1				
114		931303-0	HEX. NUT M6	1				
115		454328-2	REAR COVER	1				
116		265995-6	TAPPING SCREW 4X18	2				
117		695107-1	POWER SUPPLY CORD 1.5-2-2.5	1				
118		682560-0	CORD GUARD 10	1				
119		419024-9	CORD CLAMP BASE	1				
120		265995-6	TAPPING SCREW 4X18	1				
121		687169-3	STRAIN RELIEF	1				
122		265995-6	TAPPING SCREW 4X18	1				
123		620200-2	CONTROLLER	1				
124		265995-6	TAPPING SCREW 4X18	1				
125		632B52-1	LEAD UNIT	1				
126		454346-0	LENS	1				

Interchange
 O : Yes
 X : No
 < : the new part can be substituted for the current.
 > : the current part can be substituted for the new.
 S : Interchangeable as a set.

HR4013C / 40MM ROTARY HAMMER

PF

Item	Sub	Parts No.	Parts Description	Qty	I/C	E/C No.	Close No.	Remark
001		286292-7	TOOL HOLDER CAP	1				
002		233948-3	RING SPRING 25	1				
003		257308-5	RING 28	1				
004		454330-5	CHUCK COVER	1				
005		262167-4	RUBBER RING 30	1				
006		326272-2	CHUCK RING	1				
007		454331-3	RELEASE COVER	1				
008		346670-4	SPRING GUIDE	1				
009		234288-2	COMPRESSION SPRING 46	1				
010		346670-4	SPRING GUIDE	1				
011		213615-6	O RING 46	1				
012		922351-0	HEX. SOCKET HEAD BOLT M6X30	4				
013		141956-9	BARREL COMPLETE	1				
	C10	213246-1	O-RING 38 SA1004	1				
	C20	213490-0	OIL SEAL 32	1				
	C30	213492-6	O-RING 32	1				
014		454337-1	LOCK SLEEVE	1				
015		234290-5	RING SPRING 59	1				
016		213707-1	O RING 65	1				
017		267469-3	FLAT WASHER 32	1				
018		262168-2	RUBBER RING 32	1				
019		267469-3	FLAT WASHER 32	1				
020		310257-8	TOOL RETAINER	2				
021		326268-3	TOOL HOLDER	1				
022		213317-4	O RING 20	1				
023		213392-0	FLUORIDE RING 25	1				
024		213317-4	O RING 20	1				
025		213392-0	FLUORIDE RING 25	1				
026		326269-1	IMPACT BOLT	1				
027		326274-8	RING 17	1				
028		262166-6	RUBBER RING 18	1				
029		454347-8	SLIDE SLEEVE	1				
030		326270-6	STRIKER	1				
031		213695-2	O-RING 22	1				
032		234289-0	COMPRESSION SPRING 33	1				
033		346673-8	GUIDE RING	1				
034		256548-2	FLAT FILLISTER HEAD PIN 6	1				
035		346671-2	LINK PLATE	1				
036		313255-1	DRIVING SLEEVE	1				
037		257991-8	RETAINING RING (EXT) WR-32.5	1				
038		257340-9	RING 33	1				
039		267470-8	FLAT WASHER 33	1				
040		234287-4	COMPRESSION SPRING 34	1				
041		267470-8	FLAT WASHER 33	1				
042		332063-1	CYLINDER 28.5	1				
043		257991-8	RETAINING RING (EXT) WR-32.5	1				
044		213406-5	O RING 30	3				
045		256197-5	PIN 7	1				
046		419004-5	PISTON	1				
047		213379-2	O RING 21	1				
048		213695-2	O-RING 22	1				
049		454317-7	CONNECTING ROD	1				
050		424560-2	HOUSING CAP	1				
051		141957-7	HOUSING COVER A COMPLETE	1				
052		227613-4	SPIRAL BEVEL GEAR 26	1				
053		454342-8	SPRING PLATE	2				
054		234286-6	COMPRESSION SPRING 11	2				
055		326273-0	COUNTER WEIGHT	2				
056		234286-6	COMPRESSION SPRING 11	2				
057		213325-5	O RING 19	2				
058		142289-5	HOLDER COMPLETE	2				
059		265995-6	TAPPING SCREW 4X18	1				
060		454326-6	CHANGE LEVER	1				
061		318988-3	CRANK CAP COVER	1				
062		454339-7	CONTROL PLATE	1				

Interchange
 O : Yes
 X : No
 < : the new part can be substituted for the current.
 > : the current part can be substituted for the new.
 S : Interchangeable as a set.

HR4013C / 40MM ROTARY HAMMER

PF

Item	Sub	Parts No.	Parts Description	Qty	I/C	E/C No.	Close No.	Remark
063		454340-2	SLIDE PLATE	1				
064		234284-0	COMPRESSION SPRING 4	1				
065		454345-2	CRANK LEVER	1				
066		213262-3	O RING 18	1				
067		424556-3	FILTER CAP	1				
068		443182-9	FILTER	1				
069		454319-3	CRANK CAP	1				
070		911128-8	PAN HEAD SCREW M4X16	6				
071		424559-7	SEAL RING B	1				
072		232280-2	LEAF SPRING	1				
073		454318-5	LINK LEVER	1				
074		911511-9	PAN HEAD SCREW M4X10	1				
075		266041-8	TAPPING SCREW 5X25	4				
076		233603-7	TORSION SPRING 7	1				
077		454338-9	LINK GUIDE	1				
078		141953-5	CRANK HOUSING A COMPLETE	1				
079		126290-8	TORQUE LIMITER ASSEMBLY	1				
	D10		INC. 80-87					
080		254239-9	KEY 4	2				
081		227612-6	SPIRAL BEVEL GEAR 7	1				
082		211232-6	BALL BEARING 6002LLU	1				
083		141959-3	TORQUE LIMITER COMPLETE	1				
084		324727-1	SHOULDER WASHER 8	1				
085		210005-4	BALL BEARING 608DDW	1				
086		253215-0	FLAT WASHER 8	1				
087		961004-6	RETAINING RING S-8	1				
088		326271-4	CRANK SHAFT	1				
089		211332-2	BALL BEARING 6004LLU	1				
090		961060-6	RETAINING RING S-20	1				
091		227772-4	HELICAL GEAR 37	1				
093		253180-3	FLAT WASHER 10	1				
094		424558-9	SEAL RING A	1				
095		141955-1	GEAR HOUSING COMPLETE	1				
096		213231-4	OIL SEAL 15	1				
097		331596-3	SLEEVE 12	1				
098		211137-0	BALL BEARING 6201LLU	1				
099		253744-3	FLAT WASHER 12	1				
100		513888-4	ARMATURE ASS'Y 220-240V	1				
	D10		INC. 97,98,99,101,102					
101		681650-6	INSULATION WASHER	1				
102		210005-4	BALL BEARING 608DDW	1				
103		267721-9	WAVE WASHER 15	1				
104		266568-8	TAPPING SCREW 5X80	2				
105		454329-0	BAFFLE PLATE	1				
106		625758-6	FIELD 220-240V	1				
107		632A84-2	BRUSH HOLDE UNIT	1				
108		194160-9	CARBON BRUSH CB-350	1				
109		454348-6	GUARD 40	1				
110		265999-8	TAPPING SCREW 4X25	2				
111		454316-9	MOTOR HOUSING	1				
112		240146-2	FAN 76	1				
113		253047-5	FLAT WASHER 6	1				
114		931303-0	HEX. NUT M6	1				
115		454328-2	REAR COVER	1				
116		265995-6	TAPPING SCREW 4X18	2				
117		695123-3	POWER SUPPLY CORD 1.5-2-4.0	1				
118		682560-0	CORD GUARD 10	1				
119		419024-9	CORD CLAMP BASE	1				
120		265995-6	TAPPING SCREW 4X18	1				
121		687169-3	STRAIN RELIEF	1				
122		265995-6	TAPPING SCREW 4X18	1				
123		620200-2	CONTROLLER	1				
124		265995-6	TAPPING SCREW 4X18	1				
125		632B52-1	LEAD UNIT	1				
126		454346-0	LENS	1				

Interchange
 O : Yes
 X : No
 < : the new part can be substituted for the current.
 > : the current part can be substituted for the new.
 S : Interchangeable as a set.

HR4013C / 40MM ROTARY HAMMER

PL

Item	Sub	Parts No.	Parts Description	Qty	I/C	E/C No.	Close No.	Remark
001		286292-7	TOOL HOLDER CAP	1				
002		233948-3	RING SPRING 25	1				
003		257308-5	RING 28	1				
004		454330-5	CHUCK COVER	1				
005		262167-4	RUBBER RING 30	1				
006		326272-2	CHUCK RING	1				
007		454331-3	RELEASE COVER	1				
008		346670-4	SPRING GUIDE	1				
009		234288-2	COMPRESSION SPRING 46	1				
010		346670-4	SPRING GUIDE	1				
011		213615-6	O RING 46	1				
012		922351-0	HEX. SOCKET HEAD BOLT M6X30	4				
013		141956-9	BARREL COMPLETE	1				
	C10	213246-1	O-RING 38 SA1004	1				
	C20	213490-0	OIL SEAL 32	1				
	C30	213492-6	O-RING 32	1				
014		454337-1	LOCK SLEEVE	1				
015		234290-5	RING SPRING 59	1				
016		213707-1	O RING 65	1				
017		267469-3	FLAT WASHER 32	1				
018		262168-2	RUBBER RING 32	1				
019		267469-3	FLAT WASHER 32	1				
020		310257-8	TOOL RETAINER	2				
021		326268-3	TOOL HOLDER	1				
022		213317-4	O RING 20	1				
023		213392-0	FLUORIDE RING 25	1				
024		213317-4	O RING 20	1				
025		213392-0	FLUORIDE RING 25	1				
026		326269-1	IMPACT BOLT	1				
027		326274-8	RING 17	1				
028		262166-6	RUBBER RING 18	1				
029		454347-8	SLIDE SLEEVE	1				
030		326270-6	STRIKER	1				
031		213695-2	O-RING 22	1				
032		234289-0	COMPRESSION SPRING 33	1				
033		346673-8	GUIDE RING	1				
034		256548-2	FLAT FILLISTER HEAD PIN 6	1				
035		346671-2	LINK PLATE	1				
036		313255-1	DRIVING SLEEVE	1				
037		257991-8	RETAINING RING (EXT) WR-32.5	1				
038		257340-9	RING 33	1				
039		267470-8	FLAT WASHER 33	1				
040		234287-4	COMPRESSION SPRING 34	1				
041		267470-8	FLAT WASHER 33	1				
042		332063-1	CYLINDER 28.5	1				
043		257991-8	RETAINING RING (EXT) WR-32.5	1				
044		213406-5	O RING 30	3				
045		256197-5	PIN 7	1				
046		419004-5	PISTON	1				
047		213379-2	O RING 21	1				
048		213695-2	O-RING 22	1				
049		454317-7	CONNECTING ROD	1				
050		424560-2	HOUSING CAP	1				
051		141957-7	HOUSING COVER A COMPLETE	1				
052		227613-4	SPIRAL BEVEL GEAR 26	1				
053		454342-8	SPRING PLATE	2				
054		234286-6	COMPRESSION SPRING 11	2				
055		326273-0	COUNTER WEIGHT	2				
056		234286-6	COMPRESSION SPRING 11	2				
057		213325-5	O RING 19	2				
058		142289-5	HOLDER COMPLETE	2				
059		265995-6	TAPPING SCREW 4X18	1				
060		454326-6	CHANGE LEVER	1				
061		318988-3	CRANK CAP COVER	1				
062		454339-7	CONTROL PLATE	1				

Interchange
 O : Yes
 X : No
 < : the new part can be substituted for the current.
 > : the current part can be substituted for the new.
 S : Interchangeable as a set.

HR4013C / 40MM ROTARY HAMMER

PL

Item	Sub	Parts No.	Parts Description	Qty	I/C	E/C No.	Close No.	Remark
063		454340-2	SLIDE PLATE	1				
064		234284-0	COMPRESSION SPRING 4	1				
065		454345-2	CRANK LEVER	1				
066		213262-3	O RING 18	1				
067		424556-3	FILTER CAP	1				
068		443182-9	FILTER	1				
069		454319-3	CRANK CAP	1				
070		911128-8	PAN HEAD SCREW M4X16	6				
071		424559-7	SEAL RING B	1				
072		232280-2	LEAF SPRING	1				
073		454318-5	LINK LEVER	1				
074		911511-9	PAN HEAD SCREW M4X10	1				
075		266041-8	TAPPING SCREW 5X25	4				
076		233603-7	TORSION SPRING 7	1				
077		454338-9	LINK GUIDE	1				
078		141953-5	CRANK HOUSING A COMPLETE	1				
079		126290-8	TORQUE LIMITER ASSEMBLY	1				
	D10		INC. 80-87					
080		254239-9	KEY 4	2				
081		227612-6	SPIRAL BEVEL GEAR 7	1				
082		211232-6	BALL BEARING 6002LLU	1				
083		141959-3	TORQUE LIMITER COMPLETE	1				
084		324727-1	SHOULDER WASHER 8	1				
085		210005-4	BALL BEARING 608DDW	1				
086		253215-0	FLAT WASHER 8	1				
087		961004-6	RETAINING RING S-8	1				
088		326271-4	CRANK SHAFT	1				
089		211332-2	BALL BEARING 6004LLU	1				
090		961060-6	RETAINING RING S-20	1				
091		227772-4	HELICAL GEAR 37	1				
093		253180-3	FLAT WASHER 10	1				
094		424558-9	SEAL RING A	1				
095		141955-1	GEAR HOUSING COMPLETE	1				
096		213231-4	OIL SEAL 15	1				
097		331596-3	SLEEVE 12	1				
098		211137-0	BALL BEARING 6201LLU	1				
099		253744-3	FLAT WASHER 12	1				
100		513888-4	ARMATURE ASS'Y 220-240V	1				
	D10		INC. 97,98,99,101,102					
101		681650-6	INSULATION WASHER	1				
102		210005-4	BALL BEARING 608DDW	1				
103		267721-9	WAVE WASHER 15	1				
104		266568-8	TAPPING SCREW 5X80	2				
105		454329-0	BAFFLE PLATE	1				
106		625758-6	FIELD 220-240V	1				
107		632A84-2	BRUSH HOLDE UNIT	1				
108		194160-9	CARBON BRUSH CB-350	1				
109		454348-6	GUARD 40	1				
110		265999-8	TAPPING SCREW 4X25	2				
111		454316-9	MOTOR HOUSING	1				
112		240146-2	FAN 76	1				
113		253047-5	FLAT WASHER 6	1				
114		931303-0	HEX. NUT M6	1				
115		454328-2	REAR COVER	1				
116		265995-6	TAPPING SCREW 4X18	2				
117		695123-3	POWER SUPPLY CORD 1.5-2-4.0	1				
118		682560-0	CORD GUARD 10	1				
119		419024-9	CORD CLAMP BASE	1				
120		265995-6	TAPPING SCREW 4X18	1				
121		687169-3	STRAIN RELIEF	1				
122		265995-6	TAPPING SCREW 4X18	1				
123		620200-2	CONTROLLER	1				
124		265995-6	TAPPING SCREW 4X18	1				
125		632B52-1	LEAD UNIT	1				
126		454346-0	LENS	1				

Interchange
 O : Yes
 X : No
 < : the new part can be substituted for the current.
 > : the current part can be substituted for the new.
 S : Interchangeable as a set.

HR4013C / 40MM ROTARY HAMMER

RE

Item	Sub	Parts No.	Parts Description	Qty	I/C	E/C No.	Close No.	Remark
001		286292-7	TOOL HOLDER CAP	1				
002		233948-3	RING SPRING 25	1				
003		257308-5	RING 28	1				
004		454330-5	CHUCK COVER	1				
005		262167-4	RUBBER RING 30	1				
006		326272-2	CHUCK RING	1				
007		454331-3	RELEASE COVER	1				
008		346670-4	SPRING GUIDE	1				
009		234288-2	COMPRESSION SPRING 46	1				
010		346670-4	SPRING GUIDE	1				
011		213615-6	O RING 46	1				
012		922351-0	HEX. SOCKET HEAD BOLT M6X30	4				
013		141956-9	BARREL COMPLETE	1				
	C10	213246-1	O-RING 38 SA1004	1				
	C20	213490-0	OIL SEAL 32	1				
	C30	213492-6	O-RING 32	1				
014		454337-1	LOCK SLEEVE	1				
015		234290-5	RING SPRING 59	1				
016		213707-1	O RING 65	1				
017		267469-3	FLAT WASHER 32	1				
018		262168-2	RUBBER RING 32	1				
019		267469-3	FLAT WASHER 32	1				
020		310257-8	TOOL RETAINER	2				
021		326268-3	TOOL HOLDER	1				
022		213317-4	O RING 20	1				
023		213392-0	FLUORIDE RING 25	1				
024		213317-4	O RING 20	1				
025		213392-0	FLUORIDE RING 25	1				
026		326269-1	IMPACT BOLT	1				
027		326274-8	RING 17	1				
028		262166-6	RUBBER RING 18	1				
029		454347-8	SLIDE SLEEVE	1				
030		326270-6	STRIKER	1				
031		213695-2	O-RING 22	1				
032		234289-0	COMPRESSION SPRING 33	1				
033		346673-8	GUIDE RING	1				
034		256548-2	FLAT FILLISTER HEAD PIN 6	1				
035		346671-2	LINK PLATE	1				
036		313255-1	DRIVING SLEEVE	1				
037		257991-8	RETAINING RING (EXT) WR-32.5	1				
038		257340-9	RING 33	1				
039		267470-8	FLAT WASHER 33	1				
040		234287-4	COMPRESSION SPRING 34	1				
041		267470-8	FLAT WASHER 33	1				
042		332063-1	CYLINDER 28.5	1				
043		257991-8	RETAINING RING (EXT) WR-32.5	1				
044		213406-5	O RING 30	3				
045		256197-5	PIN 7	1				
046		419004-5	PISTON	1				
047		213379-2	O RING 21	1				
048		213695-2	O-RING 22	1				
049		454317-7	CONNECTING ROD	1				
050		424560-2	HOUSING CAP	1				
051		141957-7	HOUSING COVER A COMPLETE	1				
052		227613-4	SPIRAL BEVEL GEAR 26	1				
053		454342-8	SPRING PLATE	2				
054		234286-6	COMPRESSION SPRING 11	2				
055		326273-0	COUNTER WEIGHT	2				
056		234286-6	COMPRESSION SPRING 11	2				
057		213325-5	O RING 19	2				
058		142289-5	HOLDER COMPLETE	2				
059		265995-6	TAPPING SCREW 4X18	1				
060		454326-6	CHANGE LEVER	1				
061		318988-3	CRANK CAP COVER	1				
062		454339-7	CONTROL PLATE	1				

A:HR4013C(H)
B:HR4013CV(H)

Interchange
O : Yes
X : No
< : the new part can be substituted for the current.
> : the current part can be substituted for the new.
S : Interchangeable as a set.

HR4013C / 40MM ROTARY HAMMER

RE

Item	Sub	Parts No.	Parts Description	Qty	I/C	E/C No.	Close No.	Remark
063		454340-2	SLIDE PLATE	1				
064		234284-0	COMPRESSION SPRING 4	1				
065		454345-2	CRANK LEVER	1				
066		213262-3	O RING 18	1				
067		424556-3	FILTER CAP	1				
068		443182-9	FILTER	1				
069		454319-3	CRANK CAP	1				
070		911128-8	PAN HEAD SCREW M4X16	6				
071		424559-7	SEAL RING B	1				
072		232280-2	LEAF SPRING	1				
073		454318-5	LINK LEVER	1				
074		911511-9	PAN HEAD SCREW M4X10	1				
075		266041-8	TAPPING SCREW 5X25	4				
076		233603-7	TORSION SPRING 7	1				
077		454338-9	LINK GUIDE	1				
078		141953-5	CRANK HOUSING A COMPLETE	1				
079		126290-8	TORQUE LIMITER ASSEMBLY	1				
	D10		INC. 80-87					
080		254239-9	KEY 4	2				
081		227612-6	SPIRAL BEVEL GEAR 7	1				
082		211232-6	BALL BEARING 6002LLU	1				
083		141959-3	TORQUE LIMITER COMPLETE	1				
084		324727-1	SHOULDER WASHER 8	1				
085		210005-4	BALL BEARING 608DDW	1				
086		253215-0	FLAT WASHER 8	1				
087		961004-6	RETAINING RING S-8	1				
088		326271-4	CRANK SHAFT	1				
089		211332-2	BALL BEARING 6004LLU	1				
090		961060-6	RETAINING RING S-20	1				
091		227772-4	HELICAL GEAR 37	1				
093		253180-3	FLAT WASHER 10	1				
094		424558-9	SEAL RING A	1				
095		141955-1	GEAR HOUSING COMPLETE	1				
096		213231-4	OIL SEAL 15	1				
097		331596-3	SLEEVE 12	1				
098		211137-0	BALL BEARING 6201LLU	1				
099		253744-3	FLAT WASHER 12	1				
100		513888-4	ARMATURE ASS'Y 220-240V	1				
	D10		INC. 97,98,99,101,102					
101		681650-6	INSULATION WASHER	1				
102		210005-4	BALL BEARING 608DDW	1				
103		267721-9	WAVE WASHER 15	1				
104		266568-8	TAPPING SCREW 5X80	2				
105		454329-0	BAFFLE PLATE	1				
106		625758-6	FIELD 220-240V	1				
107		632A84-2	BRUSH HOLDE UNIT	1				
108		194160-9	CARBON BRUSH CB-350	1				
109		454348-6	GUARD 40	1				
110		265999-8	TAPPING SCREW 4X25	2				
111		454316-9	MOTOR HOUSING	1				
112		240146-2	FAN 76	1				
113		253047-5	FLAT WASHER 6	1				
114		931303-0	HEX. NUT M6	1				
115		454328-2	REAR COVER	1				
116		265995-6	TAPPING SCREW 4X18	2				
117		695123-3	POWER SUPPLY CORD 1.5-2-4.0	1				
118		682560-0	CORD GUARD 10	1				
119		419024-9	CORD CLAMP BASE	1				
120		265995-6	TAPPING SCREW 4X18	1				
121		687169-3	STRAIN RELIEF	1				
122		265995-6	TAPPING SCREW 4X18	1				
123		620200-2	CONTROLLER	1				
124		265995-6	TAPPING SCREW 4X18	1				
125		632B52-1	LEAD UNIT	1				
126		454346-0	LENS	1				

A:HR4013C(H)
B:HR4013CV(H)

Interchange
O : Yes
X : No
< : the new part can be substituted for the current.
> : the current part can be substituted for the new.
S : Interchangeable as a set.

HR4013C / 40MM ROTARY HAMMER

RU

Item	Sub	Parts No.	Parts Description	Qty	I/C	E/C No.	Close No.	Remark
001		286292-7	TOOL HOLDER CAP	1				
002		233948-3	RING SPRING 25	1				
003		257308-5	RING 28	1				
004		454330-5	CHUCK COVER	1				
005		262167-4	RUBBER RING 30	1				
006		326272-2	CHUCK RING	1				
007		454331-3	RELEASE COVER	1				
008		346670-4	SPRING GUIDE	1				
009		234288-2	COMPRESSION SPRING 46	1				
010		346670-4	SPRING GUIDE	1				
011		213615-6	O RING 46	1				
012		922351-0	HEX. SOCKET HEAD BOLT M6X30	4				
013		141956-9	BARREL COMPLETE	1				
	C10	213246-1	O-RING 38 SA1004	1				
	C20	213490-0	OIL SEAL 32	1				
	C30	213492-6	O-RING 32	1				
014		454337-1	LOCK SLEEVE	1				
015		234290-5	RING SPRING 59	1				
016		213707-1	O RING 65	1				
017		267469-3	FLAT WASHER 32	1				
018		262168-2	RUBBER RING 32	1				
019		267469-3	FLAT WASHER 32	1				
020		310257-8	TOOL RETAINER	2				
021		326268-3	TOOL HOLDER	1				
022		213317-4	O RING 20	1				
023		213392-0	FLUORIDE RING 25	1				
024		213317-4	O RING 20	1				
025		213392-0	FLUORIDE RING 25	1				
026		326269-1	IMPACT BOLT	1				
027		326274-8	RING 17	1				
028		262166-6	RUBBER RING 18	1				
029		454347-8	SLIDE SLEEVE	1				
030		326270-6	STRIKER	1				
031		213695-2	O-RING 22	1				
032		234289-0	COMPRESSION SPRING 33	1				
033		346673-8	GUIDE RING	1				
034		256548-2	FLAT FILLISTER HEAD PIN 6	1				
035		346671-2	LINK PLATE	1				
036		313255-1	DRIVING SLEEVE	1				
037		257991-8	RETAINING RING (EXT) WR-32.5	1				
038		257340-9	RING 33	1				
039		267470-8	FLAT WASHER 33	1				
040		234287-4	COMPRESSION SPRING 34	1				
041		267470-8	FLAT WASHER 33	1				
042		332063-1	CYLINDER 28.5	1				
043		257991-8	RETAINING RING (EXT) WR-32.5	1				
044		213406-5	O RING 30	3				
045		256197-5	PIN 7	1				
046		419004-5	PISTON	1				
047		213379-2	O RING 21	1				
048		213695-2	O-RING 22	1				
049		454317-7	CONNECTING ROD	1				
050		424560-2	HOUSING CAP	1				
051		141957-7	HOUSING COVER A COMPLETE	1				
052		227613-4	SPIRAL BEVEL GEAR 26	1				
053		454342-8	SPRING PLATE	2				
054		234286-6	COMPRESSION SPRING 11	2				
055		326273-0	COUNTER WEIGHT	2				
056		234286-6	COMPRESSION SPRING 11	2				
057		213325-5	O RING 19	2				
058		142289-5	HOLDER COMPLETE	2				
059		265995-6	TAPPING SCREW 4X18	1				
060		454326-6	CHANGE LEVER	1				
061		318988-3	CRANK CAP COVER	1				
062		454339-7	CONTROL PLATE	1				

A:HR4013C(H)
B:HR4013CV(H)

Interchange
O : Yes
X : No
< : the new part can be substituted for the current.
> : the current part can be substituted for the new.
S : Interchangeable as a set.

HR4013C / 40MM ROTARY HAMMER

RU

Item	Sub	Parts No.	Parts Description	Qty	I/C	E/C No.	Close No.	Remark
063		454340-2	SLIDE PLATE	1				
064		234284-0	COMPRESSION SPRING 4	1				
065		454345-2	CRANK LEVER	1				
066		213262-3	O RING 18	1				
067		424556-3	FILTER CAP	1				
068		443182-9	FILTER	1				
069		454319-3	CRANK CAP	1				
070		911128-8	PAN HEAD SCREW M4X16	6				
071		424559-7	SEAL RING B	1				
072		232280-2	LEAF SPRING	1				
073		454318-5	LINK LEVER	1				
074		911511-9	PAN HEAD SCREW M4X10	1				
075		266041-8	TAPPING SCREW 5X25	4				
076		233603-7	TORSION SPRING 7	1				
077		454338-9	LINK GUIDE	1				
078		141953-5	CRANK HOUSING A COMPLETE	1				
079		126290-8	TORQUE LIMITER ASSEMBLY	1				
	D10		INC. 80-87					
080		254239-9	KEY 4	2				
081		227612-6	SPIRAL BEVEL GEAR 7	1				
082		211232-6	BALL BEARING 6002LLU	1				
083		141959-3	TORQUE LIMITER COMPLETE	1				
084		324727-1	SHOULDER WASHER 8	1				
085		210005-4	BALL BEARING 608DDW	1				
086		253215-0	FLAT WASHER 8	1				
087		961004-6	RETAINING RING S-8	1				
088		326271-4	CRANK SHAFT	1				
089		211332-2	BALL BEARING 6004LLU	1				
090		961060-6	RETAINING RING S-20	1				
091		227772-4	HELICAL GEAR 37	1				
093		253180-3	FLAT WASHER 10	1				
094		424558-9	SEAL RING A	1				
095		141955-1	GEAR HOUSING COMPLETE	1				
096		213231-4	OIL SEAL 15	1				
097		331596-3	SLEEVE 12	1				
098		211137-0	BALL BEARING 6201LLU	1				
099		253744-3	FLAT WASHER 12	1				
100		513888-4	ARMATURE ASS'Y 220-240V	1				
	D10		INC. 97,98,99,101,102					
101		681650-6	INSULATION WASHER	1				
102		210005-4	BALL BEARING 608DDW	1				
103		267721-9	WAVE WASHER 15	1				
104		266568-8	TAPPING SCREW 5X80	2				
105		454329-0	BAFFLE PLATE	1				
106		625758-6	FIELD 220-240V	1				
107		632A84-2	BRUSH HOLDE UNIT	1				
108		194160-9	CARBON BRUSH CB-350	1				
109		454348-6	GUARD 40	1				
110		265999-8	TAPPING SCREW 4X25	2				
111		454316-9	MOTOR HOUSING	1				
112		240146-2	FAN 76	1				
113		253047-5	FLAT WASHER 6	1				
114		931303-0	HEX. NUT M6	1				
115		454328-2	REAR COVER	1				
116		265995-6	TAPPING SCREW 4X18	2				
117		695123-3	POWER SUPPLY CORD 1.5-2-4.0	1				
118		682560-0	CORD GUARD 10	1				
119		419024-9	CORD CLAMP BASE	1				
120		265995-6	TAPPING SCREW 4X18	1				
121		687169-3	STRAIN RELIEF	1				
122		265995-6	TAPPING SCREW 4X18	1				
123		620200-2	CONTROLLER	1				
124		265995-6	TAPPING SCREW 4X18	1				
125		632B52-1	LEAD UNIT	1				
126		454346-0	LENS	1				

A:HR4013C(H)
B:HR4013CV(H)

Interchange
O : Yes
X : No
< : the new part can be substituted for the current.
> : the current part can be substituted for the new.
S : Interchangeable as a set.

HR4013C / 40MM ROTARY HAMMER

SE

Item	Sub	Parts No.	Parts Description	Qty	I/C	E/C No.	Close No.	Remark
001		286292-7	TOOL HOLDER CAP	1				
002		233948-3	RING SPRING 25	1				
003		257308-5	RING 28	1				
004		454330-5	CHUCK COVER	1				
005		262167-4	RUBBER RING 30	1				
006		326272-2	CHUCK RING	1				
007		454331-3	RELEASE COVER	1				
008		346670-4	SPRING GUIDE	1				
009		234288-2	COMPRESSION SPRING 46	1				
010		346670-4	SPRING GUIDE	1				
011		213615-6	O RING 46	1				
012		922351-0	HEX. SOCKET HEAD BOLT M6X30	4				
013		141956-9	BARREL COMPLETE	1				
	C10	213246-1	O-RING 38 SA1004	1				
	C20	213490-0	OIL SEAL 32	1				
	C30	213492-6	O-RING 32	1				
014		454337-1	LOCK SLEEVE	1				
015		234290-5	RING SPRING 59	1				
016		213707-1	O RING 65	1				
017		267469-3	FLAT WASHER 32	1				
018		262168-2	RUBBER RING 32	1				
019		267469-3	FLAT WASHER 32	1				
020		310257-8	TOOL RETAINER	2				
021		326268-3	TOOL HOLDER	1				
022		213317-4	O RING 20	1				
023		213392-0	FLUORIDE RING 25	1				
024		213317-4	O RING 20	1				
025		213392-0	FLUORIDE RING 25	1				
026		326269-1	IMPACT BOLT	1				
027		326274-8	RING 17	1				
028		262166-6	RUBBER RING 18	1				
029		454347-8	SLIDE SLEEVE	1				
030		326270-6	STRIKER	1				
031		213695-2	O-RING 22	1				
032		234289-0	COMPRESSION SPRING 33	1				
033		346673-8	GUIDE RING	1				
034		256548-2	FLAT FILLISTER HEAD PIN 6	1				
035		346671-2	LINK PLATE	1				
036		313255-1	DRIVING SLEEVE	1				
037		257991-8	RETAINING RING (EXT) WR-32.5	1				
038		257340-9	RING 33	1				
039		267470-8	FLAT WASHER 33	1				
040		234287-4	COMPRESSION SPRING 34	1				
041		267470-8	FLAT WASHER 33	1				
042		332063-1	CYLINDER 28.5	1				
043		257991-8	RETAINING RING (EXT) WR-32.5	1				
044		213406-5	O RING 30	3				
045		256197-5	PIN 7	1				
046		419004-5	PISTON	1				
047		213379-2	O RING 21	1				
048		213695-2	O-RING 22	1				
049		454317-7	CONNECTING ROD	1				
050		424560-2	HOUSING CAP	1				
051		141957-7	HOUSING COVER A COMPLETE	1				
052		227613-4	SPIRAL BEVEL GEAR 26	1				
053		454342-8	SPRING PLATE	2				
054		234286-6	COMPRESSION SPRING 11	2				
055		326273-0	COUNTER WEIGHT	2				
056		234286-6	COMPRESSION SPRING 11	2				
057		213325-5	O RING 19	2				
058		142289-5	HOLDER COMPLETE	2				
059		265995-6	TAPPING SCREW 4X18	1				
060		454326-6	CHANGE LEVER	1				
061		318988-3	CRANK CAP COVER	1				
062		454339-7	CONTROL PLATE	1				

Interchange
 O : Yes
 X : No
 < : the new part can be substituted for the current.
 > : the current part can be substituted for the new.
 S : Interchangeable as a set.

HR4013C / 40MM ROTARY HAMMER

SE

Item	Sub	Parts No.	Parts Description	Qty	I/C	E/C No.	Close No.	Remark
063		454340-2	SLIDE PLATE	1				
064		234284-0	COMPRESSION SPRING 4	1				
065		454345-2	CRANK LEVER	1				
066		213262-3	O RING 18	1				
067		424556-3	FILTER CAP	1				
068		443182-9	FILTER	1				
069		454319-3	CRANK CAP	1				
070		911128-8	PAN HEAD SCREW M4X16	6				
071		424559-7	SEAL RING B	1				
072		232280-2	LEAF SPRING	1				
073		454318-5	LINK LEVER	1				
074		911511-9	PAN HEAD SCREW M4X10	1				
075		266041-8	TAPPING SCREW 5X25	4				
076		233603-7	TORSION SPRING 7	1				
077		454338-9	LINK GUIDE	1				
078		141953-5	CRANK HOUSING A COMPLETE	1				
079		126290-8	TORQUE LIMITER ASSEMBLY	1				
	D10		INC. 80-87					
080		254239-9	KEY 4	2				
081		227612-6	SPIRAL BEVEL GEAR 7	1				
082		211232-6	BALL BEARING 6002LLU	1				
083		141959-3	TORQUE LIMITER COMPLETE	1				
084		324727-1	SHOULDER WASHER 8	1				
085		210005-4	BALL BEARING 608DDW	1				
086		253215-0	FLAT WASHER 8	1				
087		961004-6	RETAINING RING S-8	1				
088		326271-4	CRANK SHAFT	1				
089		211332-2	BALL BEARING 6004LLU	1				
090		961060-6	RETAINING RING S-20	1				
091		227772-4	HELICAL GEAR 37	1				
093		253180-3	FLAT WASHER 10	1				
094		424558-9	SEAL RING A	1				
095		141955-1	GEAR HOUSING COMPLETE	1				
096		213231-4	OIL SEAL 15	1				
097		331596-3	SLEEVE 12	1				
098		211137-0	BALL BEARING 6201LLU	1				
099		253744-3	FLAT WASHER 12	1				
100		513888-4	ARMATURE ASS'Y 220-240V	1				
	D10		INC. 97,98,99,101,102					
101		681650-6	INSULATION WASHER	1				
102		210005-4	BALL BEARING 608DDW	1				
103		267721-9	WAVE WASHER 15	1				
104		266568-8	TAPPING SCREW 5X80	2				
105		454329-0	BAFFLE PLATE	1				
106		625758-6	FIELD 220-240V	1				
107		632A84-2	BRUSH HOLDE UNIT	1				
108		194160-9	CARBON BRUSH CB-350	1				
109		454348-6	GUARD 40	1				
110		265999-8	TAPPING SCREW 4X25	2				
111		454316-9	MOTOR HOUSING	1				
112		240146-2	FAN 76	1				
113		253047-5	FLAT WASHER 6	1				
114		931303-0	HEX. NUT M6	1				
115		454328-2	REAR COVER	1				
116		265995-6	TAPPING SCREW 4X18	2				
117		695123-3	POWER SUPPLY CORD 1.5-2-4.0	1				
118		682560-0	CORD GUARD 10	1				
119		419024-9	CORD CLAMP BASE	1				
120		265995-6	TAPPING SCREW 4X18	1				
121		687169-3	STRAIN RELIEF	1				
122		265995-6	TAPPING SCREW 4X18	1				
123		620200-2	CONTROLLER	1				
124		265995-6	TAPPING SCREW 4X18	1				
125		632B52-1	LEAD UNIT	1				
126		454346-0	LENS	1				

Interchange
 O : Yes
 X : No
 < : the new part can be substituted for the current.
 > : the current part can be substituted for the new.
 S : Interchangeable as a set.

HR4013C / 40MM ROTARY HAMMER

SE

Item	Sub	Parts No.	Parts Description	Qty	I/C	E/C No.	Close No.	Remark
001		286292-7	TOOL HOLDER CAP	1				
002		233948-3	RING SPRING 25	1				
003		257308-5	RING 28	1				
004		454330-5	CHUCK COVER	1				
005		262167-4	RUBBER RING 30	1				
006		326272-2	CHUCK RING	1				
007		454331-3	RELEASE COVER	1				
008		346670-4	SPRING GUIDE	1				
009		234288-2	COMPRESSION SPRING 46	1				
010		346670-4	SPRING GUIDE	1				
011		213615-6	O RING 46	1				
012		922351-0	HEX. SOCKET HEAD BOLT M6X30	4				
013		141956-9	BARREL COMPLETE	1				
	C10	213246-1	O-RING 38 SA1004	1				
	C20	213490-0	OIL SEAL 32	1				
	C30	213492-6	O-RING 32	1				
014		454337-1	LOCK SLEEVE	1				
015		234290-5	RING SPRING 59	1				
016		213707-1	O RING 65	1				
017		267469-3	FLAT WASHER 32	1				
018		262168-2	RUBBER RING 32	1				
019		267469-3	FLAT WASHER 32	1				
020		310257-8	TOOL RETAINER	2				
021		326268-3	TOOL HOLDER	1				
022		213317-4	O RING 20	1				
023		213392-0	FLUORIDE RING 25	1				
024		213317-4	O RING 20	1				
025		213392-0	FLUORIDE RING 25	1				
026		326269-1	IMPACT BOLT	1				
027		326274-8	RING 17	1				
028		262166-6	RUBBER RING 18	1				
029		454347-8	SLIDE SLEEVE	1				
030		326270-6	STRIKER	1				
031		213695-2	O-RING 22	1				
032		234289-0	COMPRESSION SPRING 33	1				
033		346673-8	GUIDE RING	1				
034		256548-2	FLAT FILLISTER HEAD PIN 6	1				
035		346671-2	LINK PLATE	1				
036		313255-1	DRIVING SLEEVE	1				
037		257991-8	RETAINING RING (EXT) WR-32.5	1				
038		257340-9	RING 33	1				
039		267470-8	FLAT WASHER 33	1				
040		234287-4	COMPRESSION SPRING 34	1				
041		267470-8	FLAT WASHER 33	1				
042		332063-1	CYLINDER 28.5	1				
043		257991-8	RETAINING RING (EXT) WR-32.5	1				
044		213406-5	O RING 30	3				
045		256197-5	PIN 7	1				
046		419004-5	PISTON	1				
047		213379-2	O RING 21	1				
048		213695-2	O-RING 22	1				
049		454317-7	CONNECTING ROD	1				
050		424560-2	HOUSING CAP	1				
051		141957-7	HOUSING COVER A COMPLETE	1				
052		227613-4	SPIRAL BEVEL GEAR 26	1				
053		454342-8	SPRING PLATE	2				
054		234286-6	COMPRESSION SPRING 11	2				
055		326273-0	COUNTER WEIGHT	2				
056		234286-6	COMPRESSION SPRING 11	2				
057		213325-5	O RING 19	2				
058		142289-5	HOLDER COMPLETE	2				
059		265995-6	TAPPING SCREW 4X18	1				
060		454326-6	CHANGE LEVER	1				
061		318988-3	CRANK CAP COVER	1				
062		454339-7	CONTROL PLATE	1				

Interchange
O : Yes
X : No
< : the new part can be substituted for the current.
> : the current part can be substituted for the new.
S : Interchangeable as a set.

HR4013C / 40MM ROTARY HAMMER

SE

Item	Sub	Parts No.	Parts Description	Qty	I/C	E/C No.	Close No.	Remark
063		454340-2	SLIDE PLATE	1				
064		234284-0	COMPRESSION SPRING 4	1				
065		454345-2	CRANK LEVER	1				
066		213262-3	O RING 18	1				
067		424556-3	FILTER CAP	1				
068		443182-9	FILTER	1				
069		454319-3	CRANK CAP	1				
070		911128-8	PAN HEAD SCREW M4X16	6				
071		424559-7	SEAL RING B	1				
072		232280-2	LEAF SPRING	1				
073		454318-5	LINK LEVER	1				
074		911511-9	PAN HEAD SCREW M4X10	1				
075		266041-8	TAPPING SCREW 5X25	4				
076		233603-7	TORSION SPRING 7	1				
077		454338-9	LINK GUIDE	1				
078		141953-5	CRANK HOUSING A COMPLETE	1				
079		126290-8	TORQUE LIMITER ASSEMBLY	1				
	D10		INC. 80-87					
080		254239-9	KEY 4	2				
081		227612-6	SPIRAL BEVEL GEAR 7	1				
082		211232-6	BALL BEARING 6002LLU	1				
083		141959-3	TORQUE LIMITER COMPLETE	1				
084		324727-1	SHOULDER WASHER 8	1				
085		210005-4	BALL BEARING 608DDW	1				
086		253215-0	FLAT WASHER 8	1				
087		961004-6	RETAINING RING S-8	1				
088		326271-4	CRANK SHAFT	1				
089		211332-2	BALL BEARING 6004LLU	1				
090		961060-6	RETAINING RING S-20	1				
091		227772-4	HELICAL GEAR 37	1				
093		253180-3	FLAT WASHER 10	1				
094		424558-9	SEAL RING A	1				
095		141955-1	GEAR HOUSING COMPLETE	1				
096		213231-4	OIL SEAL 15	1				
097		331596-3	SLEEVE 12	1				
098		211137-0	BALL BEARING 6201LLU	1				
099		253744-3	FLAT WASHER 12	1				
100		513888-4	ARMATURE ASS'Y 220-240V	1				
	D10		INC. 97,98,99,101,102					
101		681650-6	INSULATION WASHER	1				
102		210005-4	BALL BEARING 608DDW	1				
103		267721-9	WAVE WASHER 15	1				
104		266568-8	TAPPING SCREW 5X80	2				
105		454329-0	BAFFLE PLATE	1				
106		625758-6	FIELD 220-240V	1				
107		632A84-2	BRUSH HOLDE UNIT	1				
108		194160-9	CARBON BRUSH CB-350	1				
109		454348-6	GUARD 40	1				
110		265999-8	TAPPING SCREW 4X25	2				
111		454316-9	MOTOR HOUSING	1				
112		240146-2	FAN 76	1				
113		253047-5	FLAT WASHER 6	1				
114		931303-0	HEX. NUT M6	1				
115		454328-2	REAR COVER	1				
116		265995-6	TAPPING SCREW 4X18	2				
117		695123-3	POWER SUPPLY CORD 1.5-2-4.0	1				
118		682560-0	CORD GUARD 10	1				
119		419024-9	CORD CLAMP BASE	1				
120		265995-6	TAPPING SCREW 4X18	1				
121		687169-3	STRAIN RELIEF	1				
122		265995-6	TAPPING SCREW 4X18	1				
123		620200-2	CONTROLLER	1				
124		265995-6	TAPPING SCREW 4X18	1				
125		632B52-1	LEAD UNIT	1				
126		454346-0	LENS	1				

Interchange
 O : Yes
 X : No
 < : the new part can be substituted for the current.
 > : the current part can be substituted for the new.
 S : Interchangeable as a set.

HR4013C / 40MM ROTARY HAMMER

SE

Table with columns: Item, Sub, Parts No., Parts Description, Qty, I/C, E/C No., Close No., Remark. Rows include parts like TAPPING SCREW 4X25, FLAT WASHER 5, SLEEVE 9, HANDLE BASE, etc.

Interchange
O : Yes
X : No
< : the new part can be substituted for the current.
> : the current part can be substituted for the new.
S : Interchangeable as a set.

HR4013C / 40MM ROTARY HAMMER

SI

Item	Sub	Parts No.	Parts Description	Qty	I/C	E/C No.	Close No.	Remark
001		286292-7	TOOL HOLDER CAP	1				
002		233948-3	RING SPRING 25	1				
003		257308-5	RING 28	1				
004		454330-5	CHUCK COVER	1				
005		262167-4	RUBBER RING 30	1				
006		326272-2	CHUCK RING	1				
007		454331-3	RELEASE COVER	1				
008		346670-4	SPRING GUIDE	1				
009		234288-2	COMPRESSION SPRING 46	1				
010		346670-4	SPRING GUIDE	1				
011		213615-6	O RING 46	1				
012		922351-0	HEX. SOCKET HEAD BOLT M6X30	4				
013		141956-9	BARREL COMPLETE	1				
	C10	213246-1	O-RING 38 SA1004	1				
	C20	213490-0	OIL SEAL 32	1				
	C30	213492-6	O-RING 32	1				
014		454337-1	LOCK SLEEVE	1				
015		234290-5	RING SPRING 59	1				
016		213707-1	O RING 65	1				
017		267469-3	FLAT WASHER 32	1				
018		262168-2	RUBBER RING 32	1				
019		267469-3	FLAT WASHER 32	1				
020		310257-8	TOOL RETAINER	2				
021		326268-3	TOOL HOLDER	1				
022		213317-4	O RING 20	1				
023		213392-0	FLUORIDE RING 25	1				
024		213317-4	O RING 20	1				
025		213392-0	FLUORIDE RING 25	1				
026		326269-1	IMPACT BOLT	1				
027		326274-8	RING 17	1				
028		262166-6	RUBBER RING 18	1				
029		454347-8	SLIDE SLEEVE	1				
030		326270-6	STRIKER	1				
031		213695-2	O-RING 22	1				
032		234289-0	COMPRESSION SPRING 33	1				
033		346673-8	GUIDE RING	1				
034		256548-2	FLAT FILLISTER HEAD PIN 6	1				
035		346671-2	LINK PLATE	1				
036		313255-1	DRIVING SLEEVE	1				
037		257991-8	RETAINING RING (EXT) WR-32.5	1				
038		257340-9	RING 33	1				
039		267470-8	FLAT WASHER 33	1				
040		234287-4	COMPRESSION SPRING 34	1				
041		267470-8	FLAT WASHER 33	1				
042		332063-1	CYLINDER 28.5	1				
043		257991-8	RETAINING RING (EXT) WR-32.5	1				
044		213406-5	O RING 30	3				
045		256197-5	PIN 7	1				
046		419004-5	PISTON	1				
047		213379-2	O RING 21	1				
048		213695-2	O-RING 22	1				
049		454317-7	CONNECTING ROD	1				
050		424560-2	HOUSING CAP	1				
051		141957-7	HOUSING COVER A COMPLETE	1				
052		227613-4	SPIRAL BEVEL GEAR 26	1				
053		454342-8	SPRING PLATE	2				
054		234286-6	COMPRESSION SPRING 11	2				
055		326273-0	COUNTER WEIGHT	2				
056		234286-6	COMPRESSION SPRING 11	2				
057		213325-5	O RING 19	2				
058		142289-5	HOLDER COMPLETE	2				
059		265995-6	TAPPING SCREW 4X18	1				
060		454326-6	CHANGE LEVER	1				
061		318988-3	CRANK CAP COVER	1				
062		454339-7	CONTROL PLATE	1				

Interchange
 O : Yes
 X : No
 < : the new part can be substituted for the current.
 > : the current part can be substituted for the new.
 S : Interchangeable as a set.

HR4013C / 40MM ROTARY HAMMER

SI

Item	Sub	Parts No.	Parts Description	Qty	I/C	E/C No.	Close No.	Remark
063		454340-2	SLIDE PLATE	1				
064		234284-0	COMPRESSION SPRING 4	1				
065		454345-2	CRANK LEVER	1				
066		213262-3	O RING 18	1				
067		424556-3	FILTER CAP	1				
068		443182-9	FILTER	1				
069		454319-3	CRANK CAP	1				
070		911128-8	PAN HEAD SCREW M4X16	6				
071		424559-7	SEAL RING B	1				
072		232280-2	LEAF SPRING	1				
073		454318-5	LINK LEVER	1				
074		911511-9	PAN HEAD SCREW M4X10	1				
075		266041-8	TAPPING SCREW 5X25	4				
076		233603-7	TORSION SPRING 7	1				
077		454338-9	LINK GUIDE	1				
078		141953-5	CRANK HOUSING A COMPLETE	1				
079		126290-8	TORQUE LIMITER ASSEMBLY	1				
	D10		INC. 80-87					
080		254239-9	KEY 4	2				
081		227612-6	SPIRAL BEVEL GEAR 7	1				
082		211232-6	BALL BEARING 6002LLU	1				
083		141959-3	TORQUE LIMITER COMPLETE	1				
084		324727-1	SHOULDER WASHER 8	1				
085		210005-4	BALL BEARING 608DDW	1				
086		253215-0	FLAT WASHER 8	1				
087		961004-6	RETAINING RING S-8	1				
088		326271-4	CRANK SHAFT	1				
089		211332-2	BALL BEARING 6004LLU	1				
090		961060-6	RETAINING RING S-20	1				
091		227772-4	HELICAL GEAR 37	1				
093		253180-3	FLAT WASHER 10	1				
094		424558-9	SEAL RING A	1				
095		141955-1	GEAR HOUSING COMPLETE	1				
096		213231-4	OIL SEAL 15	1				
097		331596-3	SLEEVE 12	1				
098		211137-0	BALL BEARING 6201LLU	1				
099		253744-3	FLAT WASHER 12	1				
100		513888-4	ARMATURE ASS'Y 220-240V	1				
	D10		INC. 97,98,99,101,102					
101		681650-6	INSULATION WASHER	1				
102		210005-4	BALL BEARING 608DDW	1				
103		267721-9	WAVE WASHER 15	1				
104		266568-8	TAPPING SCREW 5X80	2				
105		454329-0	BAFFLE PLATE	1				
106		625758-6	FIELD 220-240V	1				
107		632A84-2	BRUSH HOLDE UNIT	1				
108		194160-9	CARBON BRUSH CB-350	1				
109		454348-6	GUARD 40	1				
110		265999-8	TAPPING SCREW 4X25	2				
111		454316-9	MOTOR HOUSING	1				
112		240146-2	FAN 76	1				
113		253047-5	FLAT WASHER 6	1				
114		931303-0	HEX. NUT M6	1				
115		454328-2	REAR COVER	1				
116		265995-6	TAPPING SCREW 4X18	2				
117		695123-3	POWER SUPPLY CORD 1.5-2-4.0	1				
118		682560-0	CORD GUARD 10	1				
119		419024-9	CORD CLAMP BASE	1				
120		265995-6	TAPPING SCREW 4X18	1				
121		687169-3	STRAIN RELIEF	1				
122		265995-6	TAPPING SCREW 4X18	1				
123		620200-2	CONTROLLER	1				
124		265995-6	TAPPING SCREW 4X18	1				
125		632B52-1	LEAD UNIT	1				
126		454346-0	LENS	1				

Interchange
 O : Yes
 X : No
 < : the new part can be substituted for the current.
 > : the current part can be substituted for the new.
 S : Interchangeable as a set.

HR4013C / 40MM ROTARY HAMMER

TH

Item	Sub	Parts No.	Parts Description	Qty	I/C	E/C No.	Close No.	Remark
001		286292-7	TOOL HOLDER CAP	1				
002		233948-3	RING SPRING 25	1				
003		257308-5	RING 28	1				
004		454330-5	CHUCK COVER	1				
005		262167-4	RUBBER RING 30	1				
006		326272-2	CHUCK RING	1				
007		454331-3	RELEASE COVER	1				
008		346670-4	SPRING GUIDE	1				
009		234288-2	COMPRESSION SPRING 46	1				
010		346670-4	SPRING GUIDE	1				
011		213615-6	O RING 46	1				
012		922351-0	HEX. SOCKET HEAD BOLT M6X30	4				
013		141956-9	BARREL COMPLETE	1				
	C10	213246-1	O-RING 38 SA1004	1				
	C20	213490-0	OIL SEAL 32	1				
	C30	213492-6	O-RING 32	1				
014		454337-1	LOCK SLEEVE	1				
015		234290-5	RING SPRING 59	1				
016		213707-1	O RING 65	1				
017		267469-3	FLAT WASHER 32	1				
018		262168-2	RUBBER RING 32	1				
019		267469-3	FLAT WASHER 32	1				
020		310257-8	TOOL RETAINER	2				
021		326268-3	TOOL HOLDER	1				
022		213317-4	O RING 20	1				
023		213392-0	FLUORIDE RING 25	1				
024		213317-4	O RING 20	1				
025		213392-0	FLUORIDE RING 25	1				
026		326269-1	IMPACT BOLT	1				
027		326274-8	RING 17	1				
028		262166-6	RUBBER RING 18	1				
029		454347-8	SLIDE SLEEVE	1				
030		326270-6	STRIKER	1				
031		213695-2	O-RING 22	1				
032		234289-0	COMPRESSION SPRING 33	1				
033		346673-8	GUIDE RING	1				
034		256548-2	FLAT FILLISTER HEAD PIN 6	1				
035		346671-2	LINK PLATE	1				
036		313255-1	DRIVING SLEEVE	1				
037		257991-8	RETAINING RING (EXT) WR-32.5	1				
038		257340-9	RING 33	1				
039		267470-8	FLAT WASHER 33	1				
040		234287-4	COMPRESSION SPRING 34	1				
041		267470-8	FLAT WASHER 33	1				
042		332063-1	CYLINDER 28.5	1				
043		257991-8	RETAINING RING (EXT) WR-32.5	1				
044		213406-5	O RING 30	3				
045		256197-5	PIN 7	1				
046		419004-5	PISTON	1				
047		213379-2	O RING 21	1				
048		213695-2	O-RING 22	1				
049		454317-7	CONNECTING ROD	1				
050		424560-2	HOUSING CAP	1				
051		141957-7	HOUSING COVER A COMPLETE	1				
052		227613-4	SPIRAL BEVEL GEAR 26	1				
053		454342-8	SPRING PLATE	2				
054		234286-6	COMPRESSION SPRING 11	2				
055		326273-0	COUNTER WEIGHT	2				
056		234286-6	COMPRESSION SPRING 11	2				
057		213325-5	O RING 19	2				
058		142289-5	HOLDER COMPLETE	2				
059		265995-6	TAPPING SCREW 4X18	1				
060		454326-6	CHANGE LEVER	1				
061		318988-3	CRANK CAP COVER	1				
062		454339-7	CONTROL PLATE	1				

A:HR4013C(H)
B:HR4013CV(H)

Interchange
O : Yes
X : No
< : the new part can be substituted for the current.
> : the current part can be substituted for the new.
S : Interchangeable as a set.

HR4013C / 40MM ROTARY HAMMER

TH

Item	Sub	Parts No.	Parts Description	Qty	I/C	E/C No.	Close No.	Remark
063		454340-2	SLIDE PLATE	1				
064		234284-0	COMPRESSION SPRING 4	1				
065		454345-2	CRANK LEVER	1				
066		213262-3	O RING 18	1				
067		424556-3	FILTER CAP	1				
068		443182-9	FILTER	1				
069		454319-3	CRANK CAP	1				
070		911128-8	PAN HEAD SCREW M4X16	6				
071		424559-7	SEAL RING B	1				
072		232280-2	LEAF SPRING	1				
073		454318-5	LINK LEVER	1				
074		911511-9	PAN HEAD SCREW M4X10	1				
075		266041-8	TAPPING SCREW 5X25	4				
076		233603-7	TORSION SPRING 7	1				
077		454338-9	LINK GUIDE	1				
078		141953-5	CRANK HOUSING A COMPLETE	1				
079		126290-8	TORQUE LIMITER ASSEMBLY	1				
	D10		INC. 80-87					
080		254239-9	KEY 4	2				
081		227612-6	SPIRAL BEVEL GEAR 7	1				
082		211232-6	BALL BEARING 6002LLU	1				
083		141959-3	TORQUE LIMITER COMPLETE	1				
084		324727-1	SHOULDER WASHER 8	1				
085		210005-4	BALL BEARING 608DDW	1				
086		253215-0	FLAT WASHER 8	1				
087		961004-6	RETAINING RING S-8	1				
088		326271-4	CRANK SHAFT	1				
089		211332-2	BALL BEARING 6004LLU	1				
090		961060-6	RETAINING RING S-20	1				
091		227772-4	HELICAL GEAR 37	1				
093		253180-3	FLAT WASHER 10	1				
094		424558-9	SEAL RING A	1				
095		141955-1	GEAR HOUSING COMPLETE	1				
096		213231-4	OIL SEAL 15	1				
097		331596-3	SLEEVE 12	1				
098		211137-0	BALL BEARING 6201LLU	1				
099		253744-3	FLAT WASHER 12	1				
100		513888-4	ARMATURE ASS'Y 220-240V	1				
	D10		INC. 97,98,99,101,102					
101		681650-6	INSULATION WASHER	1				
102		210005-4	BALL BEARING 608DDW	1				
103		267721-9	WAVE WASHER 15	1				
104		266568-8	TAPPING SCREW 5X80	2				
105		454329-0	BAFFLE PLATE	1				
106		625758-6	FIELD 220-240V	1				
107		632A84-2	BRUSH HOLDE UNIT	1				
108		195004-6	CARBON BRUSH SET CB-350	1				
109		454348-6	GUARD 40	1				
110		265999-8	TAPPING SCREW 4X25	2				
111		454316-9	MOTOR HOUSING	1				
112		240146-2	FAN 76	1				
113		253047-5	FLAT WASHER 6	1				
114		931303-0	HEX. NUT M6	1				
115		454328-2	REAR COVER	1				
116		265995-6	TAPPING SCREW 4X18	2				
117		691025-1	POWER SUPPLY CORD 0.75-2-5.0	1				
118		682560-0	CORD GUARD 10	1				
119		419024-9	CORD CLAMP BASE	1				
120		265995-6	TAPPING SCREW 4X18	1				
121		687169-3	STRAIN RELIEF	1				
122		265995-6	TAPPING SCREW 4X18	1				
123		620200-2	CONTROLLER	1				
124		265995-6	TAPPING SCREW 4X18	1				
125		632B52-1	LEAD UNIT	1				
126		454346-0	LENS	1				

A:HR4013C(H)
B:HR4013CV(H)

Interchange
O : Yes
X : No
< : the new part can be substituted for the current.
> : the current part can be substituted for the new.
S : Interchangeable as a set.

HR4013C / 40MM ROTARY HAMMER

TR

Item	Sub	Parts No.	Parts Description	Qty	I/C	E/C No.	Close No.	Remark
001		286292-7	TOOL HOLDER CAP	1				
002		233948-3	RING SPRING 25	1				
003		257308-5	RING 28	1				
004		454330-5	CHUCK COVER	1				
005		262167-4	RUBBER RING 30	1				
006		326272-2	CHUCK RING	1				
007		454331-3	RELEASE COVER	1				
008		346670-4	SPRING GUIDE	1				
009		234288-2	COMPRESSION SPRING 46	1				
010		346670-4	SPRING GUIDE	1				
011		213615-6	O RING 46	1				
012		922351-0	HEX. SOCKET HEAD BOLT M6X30	4				
013		141956-9	BARREL COMPLETE	1				
	C10	213246-1	O-RING 38 SA1004	1				
	C20	213490-0	OIL SEAL 32	1				
	C30	213492-6	O-RING 32	1				
014		454337-1	LOCK SLEEVE	1				
015		234290-5	RING SPRING 59	1				
016		213707-1	O RING 65	1				
017		267469-3	FLAT WASHER 32	1				
018		262168-2	RUBBER RING 32	1				
019		267469-3	FLAT WASHER 32	1				
020		310257-8	TOOL RETAINER	2				
021		326268-3	TOOL HOLDER	1				
022		213317-4	O RING 20	1				
023		213392-0	FLUORIDE RING 25	1				
024		213317-4	O RING 20	1				
025		213392-0	FLUORIDE RING 25	1				
026		326269-1	IMPACT BOLT	1				
027		326274-8	RING 17	1				
028		262166-6	RUBBER RING 18	1				
029		454347-8	SLIDE SLEEVE	1				
030		326270-6	STRIKER	1				
031		213695-2	O-RING 22	1				
032		234289-0	COMPRESSION SPRING 33	1				
033		346673-8	GUIDE RING	1				
034		256548-2	FLAT FILLISTER HEAD PIN 6	1				
035		346671-2	LINK PLATE	1				
036		313255-1	DRIVING SLEEVE	1				
037		257991-8	RETAINING RING (EXT) WR-32.5	1				
038		257340-9	RING 33	1				
039		267470-8	FLAT WASHER 33	1				
040		234287-4	COMPRESSION SPRING 34	1				
041		267470-8	FLAT WASHER 33	1				
042		332063-1	CYLINDER 28.5	1				
043		257991-8	RETAINING RING (EXT) WR-32.5	1				
044		213406-5	O RING 30	3				
045		256197-5	PIN 7	1				
046		419004-5	PISTON	1				
047		213379-2	O RING 21	1				
048		213695-2	O-RING 22	1				
049		454317-7	CONNECTING ROD	1				
050		424560-2	HOUSING CAP	1				
051		141957-7	HOUSING COVER A COMPLETE	1				
052		227613-4	SPIRAL BEVEL GEAR 26	1				
053		454342-8	SPRING PLATE	2				
054		234286-6	COMPRESSION SPRING 11	2				
055		326273-0	COUNTER WEIGHT	2				
056		234286-6	COMPRESSION SPRING 11	2				
057		213325-5	O RING 19	2				
058		142289-5	HOLDER COMPLETE	2				
059		265995-6	TAPPING SCREW 4X18	1				
060		454326-6	CHANGE LEVER	1				
061		318988-3	CRANK CAP COVER	1				
062		454339-7	CONTROL PLATE	1				

Interchange
 O : Yes
 X : No
 < : the new part can be substituted for the current.
 > : the current part can be substituted for the new.
 S : Interchangeable as a set.

HR4013C / 40MM ROTARY HAMMER

TR

Item	Sub	Parts No.	Parts Description	Qty	I/C	E/C No.	Close No.	Remark
063		454340-2	SLIDE PLATE	1				
064		234284-0	COMPRESSION SPRING 4	1				
065		454345-2	CRANK LEVER	1				
066		213262-3	O RING 18	1				
067		424556-3	FILTER CAP	1				
068		443182-9	FILTER	1				
069		454319-3	CRANK CAP	1				
070		911128-8	PAN HEAD SCREW M4X16	6				
071		424559-7	SEAL RING B	1				
072		232280-2	LEAF SPRING	1				
073		454318-5	LINK LEVER	1				
074		911511-9	PAN HEAD SCREW M4X10	1				
075		266041-8	TAPPING SCREW 5X25	4				
076		233603-7	TORSION SPRING 7	1				
077		454338-9	LINK GUIDE	1				
078		141953-5	CRANK HOUSING A COMPLETE	1				
079		126290-8	TORQUE LIMITER ASSEMBLY	1				
	D10		INC. 80-87					
080		254239-9	KEY 4	2				
081		227612-6	SPIRAL BEVEL GEAR 7	1				
082		211232-6	BALL BEARING 6002LLU	1				
083		141959-3	TORQUE LIMITER COMPLETE	1				
084		324727-1	SHOULDER WASHER 8	1				
085		210005-4	BALL BEARING 608DDW	1				
086		253215-0	FLAT WASHER 8	1				
087		961004-6	RETAINING RING S-8	1				
088		326271-4	CRANK SHAFT	1				
089		211332-2	BALL BEARING 6004LLU	1				
090		961060-6	RETAINING RING S-20	1				
091		227772-4	HELICAL GEAR 37	1				
093		253180-3	FLAT WASHER 10	1				
094		424558-9	SEAL RING A	1				
095		141955-1	GEAR HOUSING COMPLETE	1				
096		213231-4	OIL SEAL 15	1				
097		331596-3	SLEEVE 12	1				
098		211137-0	BALL BEARING 6201LLU	1				
099		253744-3	FLAT WASHER 12	1				
100		513888-4	ARMATURE ASS'Y 220-240V	1				
	D10		INC. 97,98,99,101,102					
101		681650-6	INSULATION WASHER	1				
102		210005-4	BALL BEARING 608DDW	1				
103		267721-9	WAVE WASHER 15	1				
104		266568-8	TAPPING SCREW 5X80	2				
105		454329-0	BAFFLE PLATE	1				
106		625758-6	FIELD 220-240V	1				
107		632A84-2	BRUSH HOLDE UNIT	1				
108		195004-6	CARBON BRUSH SET CB-350	1				
109		454348-6	GUARD 40	1				
110		265999-8	TAPPING SCREW 4X25	2				
111		454316-9	MOTOR HOUSING	1				
112		240146-2	FAN 76	1				
113		253047-5	FLAT WASHER 6	1				
114		931303-0	HEX. NUT M6	1				
115		454328-2	REAR COVER	1				
116		265995-6	TAPPING SCREW 4X18	2				
117		695123-3	POWER SUPPLY CORD 1.5-2-4.0	1				
118		682560-0	CORD GUARD 10	1				
119		419024-9	CORD CLAMP BASE	1				
120		265995-6	TAPPING SCREW 4X18	1				
121		687169-3	STRAIN RELIEF	1				
122		265995-6	TAPPING SCREW 4X18	1				
123		620200-2	CONTROLLER	1				
124		265995-6	TAPPING SCREW 4X18	1				
125		632B52-1	LEAD UNIT	1				
126		454346-0	LENS	1				

Interchange
O : Yes
X : No
< : the new part can be substituted for the current.
> : the current part can be substituted for the new.
S : Interchangeable as a set.

HR4013C / 40MM ROTARY HAMMER

TW

Item	Sub	Parts No.	Parts Description	Qty	I/C	E/C No.	Close No.	Remark
001		286292-7	TOOL HOLDER CAP	1				
002		233948-3	RING SPRING 25	1				
003		257308-5	RING 28	1				
004		454330-5	CHUCK COVER	1				
005		262167-4	RUBBER RING 30	1				
006		326272-2	CHUCK RING	1				
007		454331-3	RELEASE COVER	1				
008		346670-4	SPRING GUIDE	1				
009		234288-2	COMPRESSION SPRING 46	1				
010		346670-4	SPRING GUIDE	1				
011		213615-6	O RING 46	1				
012		922351-0	HEX. SOCKET HEAD BOLT M6X30	4				
013		141956-9	BARREL COMPLETE	1				
	C10	213246-1	O-RING 38 SA1004	1				
	C20	213490-0	OIL SEAL 32	1				
	C30	213492-6	O-RING 32	1				
014		454337-1	LOCK SLEEVE	1				
015		234290-5	RING SPRING 59	1				
016		213707-1	O RING 65	1				
017		267469-3	FLAT WASHER 32	1				
018		262168-2	RUBBER RING 32	1				
019		267469-3	FLAT WASHER 32	1				
020		310257-8	TOOL RETAINER	2				
021		326268-3	TOOL HOLDER	1				
022		213317-4	O RING 20	1				
023		213392-0	FLUORIDE RING 25	1				
024		213317-4	O RING 20	1				
025		213392-0	FLUORIDE RING 25	1				
026		326269-1	IMPACT BOLT	1				
027		326274-8	RING 17	1				
028		262166-6	RUBBER RING 18	1				
029		454347-8	SLIDE SLEEVE	1				
030		326270-6	STRIKER	1				
031		213695-2	O-RING 22	1				
032		234289-0	COMPRESSION SPRING 33	1				
033		346673-8	GUIDE RING	1				
034		256548-2	FLAT FILLISTER HEAD PIN 6	1				
035		346671-2	LINK PLATE	1				
036		313255-1	DRIVING SLEEVE	1				
037		257991-8	RETAINING RING (EXT) WR-32.5	1				
038		257340-9	RING 33	1				
039		267470-8	FLAT WASHER 33	1				
040		234287-4	COMPRESSION SPRING 34	1				
041		267470-8	FLAT WASHER 33	1				
042		332063-1	CYLINDER 28.5	1				
043		257991-8	RETAINING RING (EXT) WR-32.5	1				
044		213406-5	O RING 30	3				
045		256197-5	PIN 7	1				
046		419004-5	PISTON	1				
047		213379-2	O RING 21	1				
048		213695-2	O-RING 22	1				
049		454317-7	CONNECTING ROD	1				
050		424560-2	HOUSING CAP	1				
051		141957-7	HOUSING COVER A COMPLETE	1				
052		227613-4	SPIRAL BEVEL GEAR 26	1				
053		454342-8	SPRING PLATE	2				
054		234286-6	COMPRESSION SPRING 11	2				
055		326273-0	COUNTER WEIGHT	2				
056		234286-6	COMPRESSION SPRING 11	2				
057		213325-5	O RING 19	2				
058		142289-5	HOLDER COMPLETE	2				
059		265995-6	TAPPING SCREW 4X18	1				
060		454326-6	CHANGE LEVER	1				
061		318988-3	CRANK CAP COVER	1				
062		454339-7	CONTROL PLATE	1				

Interchange
O : Yes
X : No
< : the new part can be substituted for the current.
> : the current part can be substituted for the new.
S : Interchangeable as a set.

HR4013C / 40MM ROTARY HAMMER

TW

Item	Sub	Parts No.	Parts Description	Qty	I/C	E/C No.	Close No.	Remark
063		454340-2	SLIDE PLATE	1				
064		234284-0	COMPRESSION SPRING 4	1				
065		454345-2	CRANK LEVER	1				
066		213262-3	O RING 18	1				
067		424556-3	FILTER CAP	1				
068		443182-9	FILTER	1				
069		454319-3	CRANK CAP	1				
070		911128-8	PAN HEAD SCREW M4X16	6				
071		424559-7	SEAL RING B	1				
072		232280-2	LEAF SPRING	1				
073		454318-5	LINK LEVER	1				
074		911511-9	PAN HEAD SCREW M4X10	1				
075		266041-8	TAPPING SCREW 5X25	4				
076		233603-7	TORSION SPRING 7	1				
077		454338-9	LINK GUIDE	1				
078		141953-5	CRANK HOUSING A COMPLETE	1				
079		126290-8	TORQUE LIMITER ASSEMBLY	1				
	D10		INC. 80-87					
080		254239-9	KEY 4	2				
081		227612-6	SPIRAL BEVEL GEAR 7	1				
082		211232-6	BALL BEARING 6002LLU	1				
083		141959-3	TORQUE LIMITER COMPLETE	1				
084		324727-1	SHOULDER WASHER 8	1				
085		210005-4	BALL BEARING 608DDW	1				
086		253215-0	FLAT WASHER 8	1				
087		961004-6	RETAINING RING S-8	1				
088		326271-4	CRANK SHAFT	1				
089		211332-2	BALL BEARING 6004LLU	1				
090		961060-6	RETAINING RING S-20	1				
091		227772-4	HELICAL GEAR 37	1				
093		253180-3	FLAT WASHER 10	1				
094		424558-9	SEAL RING A	1				
095		141955-1	GEAR HOUSING COMPLETE	1				
096		213231-4	OIL SEAL 15	1				
097		331596-3	SLEEVE 12	1				
098		211137-0	BALL BEARING 6201LLU	1				
099		253744-3	FLAT WASHER 12	1				
100		513886-8	ARMATURE ASS'Y 115V	1				
	D10		INC. 97,98,99,101,102					
101		681650-6	INSULATION WASHER	1				
102		210005-4	BALL BEARING 608DDW	1				
103		267721-9	WAVE WASHER 15	1				
104		266568-8	TAPPING SCREW 5X80	2				
105		454329-0	BAFFLE PLATE	1				
106		625756-0	FIELD 115V	1				
107		632A84-2	BRUSH HOLDE UNIT	1			A7312	
107-1		632E31-7	BRUSH HOLDE UNIT	1	S	A7312		
108		194160-9	CARBON BRUSH CB-350	1			A7312	
108-1		197245-0	CARBON BRUSH CB-351	1	S	A7312		
109		454348-6	GUARD 40	1				
110		265999-8	TAPPING SCREW 4X25	2				
111		454316-9	MOTOR HOUSING	1				
112		240146-2	FAN 76	1				
113		253047-5	FLAT WASHER 6	1				
114		931303-0	HEX. NUT M6	1				
115		454328-2	REAR COVER	1				
116		265995-6	TAPPING SCREW 4X18	2				
117		693574-4	POWER SUPPLY CORD 2.0-2-5.0	1				
118		682561-8	CORD GUARD 11.5	1				
119		419024-9	CORD CLAMP BASE	1				
120		265995-6	TAPPING SCREW 4X18	1				
121		687678-2	STRAIN RELIEF	1				
122		265995-6	TAPPING SCREW 4X18	1				
123		620199-1	CONTROLLER	1				
124		265995-6	TAPPING SCREW 4X18	1				

Interchange
 O : Yes
 X : No
 < : the new part can be substituted for the current.
 > : the current part can be substituted for the new.
 S : Interchangeable as a set.

HR4013C / 40MM ROTARY HAMMER

ZA

Item	Sub	Parts No.	Parts Description	Qty	I/C	E/C No.	Close No.	Remark
001		286292-7	TOOL HOLDER CAP	1				
002		233948-3	RING SPRING 25	1				
003		257308-5	RING 28	1				
004		454330-5	CHUCK COVER	1				
005		262167-4	RUBBER RING 30	1				
006		326272-2	CHUCK RING	1				
007		454331-3	RELEASE COVER	1				
008		346670-4	SPRING GUIDE	1				
009		234288-2	COMPRESSION SPRING 46	1				
010		346670-4	SPRING GUIDE	1				
011		213615-6	O RING 46	1				
012		922351-0	HEX. SOCKET HEAD BOLT M6X30	4				
013		141956-9	BARREL COMPLETE	1				
	C10	213246-1	O-RING 38 SA1004	1				
	C20	213490-0	OIL SEAL 32	1				
	C30	213492-6	O-RING 32	1				
014		454337-1	LOCK SLEEVE	1				
015		234290-5	RING SPRING 59	1				
016		213707-1	O RING 65	1				
017		267469-3	FLAT WASHER 32	1				
018		262168-2	RUBBER RING 32	1				
019		267469-3	FLAT WASHER 32	1				
020		310257-8	TOOL RETAINER	2				
021		326268-3	TOOL HOLDER	1				
022		213317-4	O RING 20	1				
023		213392-0	FLUORIDE RING 25	1				
024		213317-4	O RING 20	1				
025		213392-0	FLUORIDE RING 25	1				
026		326269-1	IMPACT BOLT	1				
027		326274-8	RING 17	1				
028		262166-6	RUBBER RING 18	1				
029		454347-8	SLIDE SLEEVE	1				
030		326270-6	STRIKER	1				
031		213695-2	O-RING 22	1				
032		234289-0	COMPRESSION SPRING 33	1				
033		346673-8	GUIDE RING	1				
034		256548-2	FLAT FILLISTER HEAD PIN 6	1				
035		346671-2	LINK PLATE	1				
036		313255-1	DRIVING SLEEVE	1				
037		257991-8	RETAINING RING (EXT) WR-32.5	1				
038		257340-9	RING 33	1				
039		267470-8	FLAT WASHER 33	1				
040		234287-4	COMPRESSION SPRING 34	1				
041		267470-8	FLAT WASHER 33	1				
042		332063-1	CYLINDER 28.5	1				
043		257991-8	RETAINING RING (EXT) WR-32.5	1				
044		213406-5	O RING 30	3				
045		256197-5	PIN 7	1				
046		419004-5	PISTON	1				
047		213379-2	O RING 21	1				
048		213695-2	O-RING 22	1				
049		454317-7	CONNECTING ROD	1				
050		424560-2	HOUSING CAP	1				
051		141957-7	HOUSING COVER A COMPLETE	1				
052		227613-4	SPIRAL BEVEL GEAR 26	1				
053		454342-8	SPRING PLATE	2				
054		234286-6	COMPRESSION SPRING 11	2				
055		326273-0	COUNTER WEIGHT	2				
056		234286-6	COMPRESSION SPRING 11	2				
057		213325-5	O RING 19	2				
058		142289-5	HOLDER COMPLETE	2				
059		265995-6	TAPPING SCREW 4X18	1				
060		454326-6	CHANGE LEVER	1				
061		318988-3	CRANK CAP COVER	1				
062		454339-7	CONTROL PLATE	1				

Interchange
O : Yes
X : No
< : the new part can be substituted for the current.
> : the current part can be substituted for the new.
S : Interchangeable as a set.

HR4013C / 40MM ROTARY HAMMER

ZA

Item	Sub	Parts No.	Parts Description	Qty	I/C	E/C No.	Close No.	Remark
063		454340-2	SLIDE PLATE	1				
064		234284-0	COMPRESSION SPRING 4	1				
065		454345-2	CRANK LEVER	1				
066		213262-3	O RING 18	1				
067		424556-3	FILTER CAP	1				
068		443182-9	FILTER	1				
069		454319-3	CRANK CAP	1				
070		911128-8	PAN HEAD SCREW M4X16	6				
071		424559-7	SEAL RING B	1				
072		232280-2	LEAF SPRING	1				
073		454318-5	LINK LEVER	1				
074		911511-9	PAN HEAD SCREW M4X10	1				
075		266041-8	TAPPING SCREW 5X25	4				
076		233603-7	TORSION SPRING 7	1				
077		454338-9	LINK GUIDE	1				
078		141953-5	CRANK HOUSING A COMPLETE	1				
079		126290-8	TORQUE LIMITER ASSEMBLY	1				
	D10		INC. 80-87					
080		254239-9	KEY 4	2				
081		227612-6	SPIRAL BEVEL GEAR 7	1				
082		211232-6	BALL BEARING 6002LLU	1				
083		141959-3	TORQUE LIMITER COMPLETE	1				
084		324727-1	SHOULDER WASHER 8	1				
085		210005-4	BALL BEARING 608DDW	1				
086		253215-0	FLAT WASHER 8	1				
087		961004-6	RETAINING RING S-8	1				
088		326271-4	CRANK SHAFT	1				
089		211332-2	BALL BEARING 6004LLU	1				
090		961060-6	RETAINING RING S-20	1				
091		227772-4	HELICAL GEAR 37	1				
093		253180-3	FLAT WASHER 10	1				
094		424558-9	SEAL RING A	1				
095		141955-1	GEAR HOUSING COMPLETE	1				
096		213231-4	OIL SEAL 15	1				
097		331596-3	SLEEVE 12	1				
098		211137-0	BALL BEARING 6201LLU	1				
099		253744-3	FLAT WASHER 12	1				
100		513888-4	ARMATURE ASS'Y 220-240V	1				
	D10		INC. 97,98,99,101,102					
101		681650-6	INSULATION WASHER	1				
102		210005-4	BALL BEARING 608DDW	1				
103		267721-9	WAVE WASHER 15	1				
104		266568-8	TAPPING SCREW 5X80	2				
105		454329-0	BAFFLE PLATE	1				
106		625758-6	FIELD 220-240V	1				
107		632A84-2	BRUSH HOLDE UNIT	1				
108		194160-9	CARBON BRUSH CB-350	1				
109		454348-6	GUARD 40	1				
110		265999-8	TAPPING SCREW 4X25	2				
111		454316-9	MOTOR HOUSING	1				
112		240146-2	FAN 76	1				
113		253047-5	FLAT WASHER 6	1				
114		931303-0	HEX. NUT M6	1				
115		454328-2	REAR COVER	1				
116		265995-6	TAPPING SCREW 4X18	2				
117		695123-3	POWER SUPPLY CORD 1.5-2-4.0	1				
118		682560-0	CORD GUARD 10	1				
119		419024-9	CORD CLAMP BASE	1				
120		265995-6	TAPPING SCREW 4X18	1				
121		687169-3	STRAIN RELIEF	1				
122		265995-6	TAPPING SCREW 4X18	1				
123		620200-2	CONTROLLER	1				
124		265995-6	TAPPING SCREW 4X18	1				
125		632B52-1	LEAD UNIT	1				
126		454346-0	LENS	1				

Interchange
 O : Yes
 X : No
 < : the new part can be substituted for the current.
 > : the current part can be substituted for the new.
 S : Interchangeable as a set.

HR4013C / 40MM ROTARY HAMMER

ZA

Item	Sub	Parts No.	Parts Description	Qty	I/C	E/C No.	Close No.	Remark
001		286292-7	TOOL HOLDER CAP	1				
002		233948-3	RING SPRING 25	1				
003		257308-5	RING 28	1				
004		454330-5	CHUCK COVER	1				
005		262167-4	RUBBER RING 30	1				
006		326272-2	CHUCK RING	1				
007		454331-3	RELEASE COVER	1				
008		346670-4	SPRING GUIDE	1				
009		234288-2	COMPRESSION SPRING 46	1				
010		346670-4	SPRING GUIDE	1				
011		213615-6	O RING 46	1				
012		922351-0	HEX. SOCKET HEAD BOLT M6X30	4				
013		141956-9	BARREL COMPLETE	1				
	C10	213246-1	O-RING 38 SA1004	1				
	C20	213490-0	OIL SEAL 32	1				
	C30	213492-6	O-RING 32	1				
014		454337-1	LOCK SLEEVE	1				
015		234290-5	RING SPRING 59	1				
016		213707-1	O RING 65	1				
017		267469-3	FLAT WASHER 32	1				
018		262168-2	RUBBER RING 32	1				
019		267469-3	FLAT WASHER 32	1				
020		310257-8	TOOL RETAINER	2				
021		326268-3	TOOL HOLDER	1				
022		213317-4	O RING 20	1				
023		213392-0	FLUORIDE RING 25	1				
024		213317-4	O RING 20	1				
025		213392-0	FLUORIDE RING 25	1				
026		326269-1	IMPACT BOLT	1				
027		326274-8	RING 17	1				
028		262166-6	RUBBER RING 18	1				
029		454347-8	SLIDE SLEEVE	1				
030		326270-6	STRIKER	1				
031		213695-2	O-RING 22	1				
032		234289-0	COMPRESSION SPRING 33	1				
033		346673-8	GUIDE RING	1				
034		256548-2	FLAT FILLISTER HEAD PIN 6	1				
035		346671-2	LINK PLATE	1				
036		313255-1	DRIVING SLEEVE	1				
037		257991-8	RETAINING RING (EXT) WR-32.5	1				
038		257340-9	RING 33	1				
039		267470-8	FLAT WASHER 33	1				
040		234287-4	COMPRESSION SPRING 34	1				
041		267470-8	FLAT WASHER 33	1				
042		332063-1	CYLINDER 28.5	1				
043		257991-8	RETAINING RING (EXT) WR-32.5	1				
044		213406-5	O RING 30	3				
045		256197-5	PIN 7	1				
046		419004-5	PISTON	1				
047		213379-2	O RING 21	1				
048		213695-2	O-RING 22	1				
049		454317-7	CONNECTING ROD	1				
050		424560-2	HOUSING CAP	1				
051		141957-7	HOUSING COVER A COMPLETE	1				
052		227613-4	SPIRAL BEVEL GEAR 26	1				
053		454342-8	SPRING PLATE	2				
054		234286-6	COMPRESSION SPRING 11	2				
055		326273-0	COUNTER WEIGHT	2				
056		234286-6	COMPRESSION SPRING 11	2				
057		213325-5	O RING 19	2				
058		142289-5	HOLDER COMPLETE	2				
059		265995-6	TAPPING SCREW 4X18	1				
060		454326-6	CHANGE LEVER	1				
061		318988-3	CRANK CAP COVER	1				
062		454339-7	CONTROL PLATE	1				

Interchange
O : Yes
X : No
< : the new part can be substituted for the current.
> : the current part can be substituted for the new.
S : Interchangeable as a set.

HR4013C / 40MM ROTARY HAMMER

ZA

Item	Sub	Parts No.	Parts Description	Qty	I/C	E/C No.	Close No.	Remark
063		454340-2	SLIDE PLATE	1				
064		234284-0	COMPRESSION SPRING 4	1				
065		454345-2	CRANK LEVER	1				
066		213262-3	O RING 18	1				
067		424556-3	FILTER CAP	1				
068		443182-9	FILTER	1				
069		454319-3	CRANK CAP	1				
070		911128-8	PAN HEAD SCREW M4X16	6				
071		424559-7	SEAL RING B	1				
072		232280-2	LEAF SPRING	1				
073		454318-5	LINK LEVER	1				
074		911511-9	PAN HEAD SCREW M4X10	1				
075		266041-8	TAPPING SCREW 5X25	4				
076		233603-7	TORSION SPRING 7	1				
077		454338-9	LINK GUIDE	1				
078		141953-5	CRANK HOUSING A COMPLETE	1				
079		126290-8	TORQUE LIMITER ASSEMBLY	1				
	D10		INC. 80-87					
080		254239-9	KEY 4	2				
081		227612-6	SPIRAL BEVEL GEAR 7	1				
082		211232-6	BALL BEARING 6002LLU	1				
083		141959-3	TORQUE LIMITER COMPLETE	1				
084		324727-1	SHOULDER WASHER 8	1				
085		210005-4	BALL BEARING 608DDW	1				
086		253215-0	FLAT WASHER 8	1				
087		961004-6	RETAINING RING S-8	1				
088		326271-4	CRANK SHAFT	1				
089		211332-2	BALL BEARING 6004LLU	1				
090		961060-6	RETAINING RING S-20	1				
091		227772-4	HELICAL GEAR 37	1				
093		253180-3	FLAT WASHER 10	1				
094		424558-9	SEAL RING A	1				
095		141955-1	GEAR HOUSING COMPLETE	1				
096		213231-4	OIL SEAL 15	1				
097		331596-3	SLEEVE 12	1				
098		211137-0	BALL BEARING 6201LLU	1				
099		253744-3	FLAT WASHER 12	1				
100		513888-4	ARMATURE ASS'Y 220-240V	1				
	D10		INC. 97,98,99,101,102					
101		681650-6	INSULATION WASHER	1				
102		210005-4	BALL BEARING 608DDW	1				
103		267721-9	WAVE WASHER 15	1				
104		266568-8	TAPPING SCREW 5X80	2				
105		454329-0	BAFFLE PLATE	1				
106		625758-6	FIELD 220-240V	1				
107		632A84-2	BRUSH HOLDE UNIT	1				
108		194160-9	CARBON BRUSH CB-350	1				
109		454348-6	GUARD 40	1				
110		265999-8	TAPPING SCREW 4X25	2				
111		454316-9	MOTOR HOUSING	1				
112		240146-2	FAN 76	1				
113		253047-5	FLAT WASHER 6	1				
114		931303-0	HEX. NUT M6	1				
115		454328-2	REAR COVER	1				
116		265995-6	TAPPING SCREW 4X18	2				
117		695123-3	POWER SUPPLY CORD 1.5-2-4.0	1				
118		682560-0	CORD GUARD 10	1				
119		419024-9	CORD CLAMP BASE	1				
120		265995-6	TAPPING SCREW 4X18	1				
121		687169-3	STRAIN RELIEF	1				
122		265995-6	TAPPING SCREW 4X18	1				
123		620200-2	CONTROLLER	1				
124		265995-6	TAPPING SCREW 4X18	1				
125		632B52-1	LEAD UNIT	1				
126		454346-0	LENS	1				

Interchange
 O : Yes
 X : No
 < : the new part can be substituted for the current.
 > : the current part can be substituted for the new.
 S : Interchangeable as a set.

HR4013C / 40MM ROTARY HAMMER

ZA

Item	Sub	Parts No.	Parts Description	Qty	I/C	E/C No.	Close No.	Remark
127		265999-8	TAPPING SCREW 4X25	2				
128		253194-2	FLAT WASHER 5	2				
129		257813-2	SLEEVE 9	2				
130		454320-8	HANDLE BASE	1				
131		266041-8	TAPPING SCREW 5X25	2				
132		814T16-7	HR4013C NAME PLATE	1				
133		454343-6	DUST SUPPORT A	1				
134		234283-2	COMPRESSION SPRING 18.5	2				
135		454344-4	DUST SUPPORT B	1				
136		424557-1	DUST COVER	1				
137		454321-6	HANDLE A	1				
138		265999-8	TAPPING SCREW 4X25	4				
139		454332-1	SWITCH LEVER A	1				
140		234285-8	COMPRESSION SPRING 7	1				
141		454327-4	SUB LEVER	1				
142		268309-8	PIN	1				
143		154626-1	SWITCH HOLDER COMPLETE	1				
144		650678-5	SWITCH C3PA-1121	1				
145		454323-2	HANDLE COVER	1				
146		265995-6	TAPPING SCREW 4X18	1				
147		234281-6	COMPRESSION SPRING 6	1				
148		632A83-4	SWITCH UNIT	1				
149		454336-3	SWITCH LEVER C	1				
150		187692-3	SWITCH CASE SET	1				
	D10		INC. 152					
151		911128-8	PAN HEAD SCREW M4X16	4				
152		187692-3	SWITCH CASE SET	1				
	D10		INC. 150					
153		234282-4	COMPRESSION SPRING 12	2				
A01		123138-5	SIDE GRIP ASSEMBLY	1				
A02		196792-8	SIDE HANDLE 73 SET	1				
A03		194683-7	GREASE VESSEL SET	1				
A04		196278-2	PLASTIC CASE SET	1				
	C10	837544-5	INNER TRAY	1				
	C20	801Y02-7	INDICATION LABEL	1				
	C30	162271-8	LATCH	2				
A05		331955-1	DEPTH GAUGE	1				
A06		443122-7	CLOTH	1				

Interchange
 O : Yes
 X : No
 < : the new part can be substituted for the current.
 > : the current part can be substituted for the new.
 S : Interchangeable as a set.

HR4013C / 40MM ROTARY HAMMER

ZA

Item	Sub	Parts No.	Parts Description	Qty	I/C	E/C No.	Close No.	Remark
001		286292-7	TOOL HOLDER CAP	1				
002		233948-3	RING SPRING 25	1				
003		257308-5	RING 28	1				
004		454330-5	CHUCK COVER	1				
005		262167-4	RUBBER RING 30	1				
006		326272-2	CHUCK RING	1				
007		454331-3	RELEASE COVER	1				
008		346670-4	SPRING GUIDE	1				
009		234288-2	COMPRESSION SPRING 46	1				
010		346670-4	SPRING GUIDE	1				
011		213615-6	O RING 46	1				
012		922351-0	HEX. SOCKET HEAD BOLT M6X30	4				
013		141956-9	BARREL COMPLETE	1				
	C10	213246-1	O-RING 38 SA1004	1				
	C20	213490-0	OIL SEAL 32	1				
	C30	213492-6	O-RING 32	1				
014		454337-1	LOCK SLEEVE	1				
015		234290-5	RING SPRING 59	1				
016		213707-1	O RING 65	1				
017		267469-3	FLAT WASHER 32	1				
018		262168-2	RUBBER RING 32	1				
019		267469-3	FLAT WASHER 32	1				
020		310257-8	TOOL RETAINER	2				
021		326268-3	TOOL HOLDER	1				
022		213317-4	O RING 20	1				
023		213392-0	FLUORIDE RING 25	1				
024		213317-4	O RING 20	1				
025		213392-0	FLUORIDE RING 25	1				
026		326269-1	IMPACT BOLT	1				
027		326274-8	RING 17	1				
028		262166-6	RUBBER RING 18	1				
029		454347-8	SLIDE SLEEVE	1				
030		326270-6	STRIKER	1				
031		213695-2	O-RING 22	1				
032		234289-0	COMPRESSION SPRING 33	1				
033		346673-8	GUIDE RING	1				
034		256548-2	FLAT FILLISTER HEAD PIN 6	1				
035		346671-2	LINK PLATE	1				
036		313255-1	DRIVING SLEEVE	1				
037		257991-8	RETAINING RING (EXT) WR-32.5	1				
038		257340-9	RING 33	1				
039		267470-8	FLAT WASHER 33	1				
040		234287-4	COMPRESSION SPRING 34	1				
041		267470-8	FLAT WASHER 33	1				
042		332063-1	CYLINDER 28.5	1				
043		257991-8	RETAINING RING (EXT) WR-32.5	1				
044		213406-5	O RING 30	3				
045		256197-5	PIN 7	1				
046		419004-5	PISTON	1				
047		213379-2	O RING 21	1				
048		213695-2	O-RING 22	1				
049		454317-7	CONNECTING ROD	1				
050		424560-2	HOUSING CAP	1				
051		141957-7	HOUSING COVER A COMPLETE	1				
052		227613-4	SPIRAL BEVEL GEAR 26	1				
053		454342-8	SPRING PLATE	2				
054		234286-6	COMPRESSION SPRING 11	2				
055		326273-0	COUNTER WEIGHT	2				
056		234286-6	COMPRESSION SPRING 11	2				
057		213325-5	O RING 19	2				
058		142289-5	HOLDER COMPLETE	2				
059		265995-6	TAPPING SCREW 4X18	1				
060		454326-6	CHANGE LEVER	1				
061		318988-3	CRANK CAP COVER	1				
062		454339-7	CONTROL PLATE	1				

Interchange
 O : Yes
 X : No
 < : the new part can be substituted for the current.
 > : the current part can be substituted for the new.
 S : Interchangeable as a set.

HR4013C / 40MM ROTARY HAMMER

ZA

Item	Sub	Parts No.	Parts Description	Qty	I/C	E/C No.	Close No.	Remark
063		454340-2	SLIDE PLATE	1				
064		234284-0	COMPRESSION SPRING 4	1				
065		454345-2	CRANK LEVER	1				
066		213262-3	O RING 18	1				
067		424556-3	FILTER CAP	1				
068		443182-9	FILTER	1				
069		454319-3	CRANK CAP	1				
070		911128-8	PAN HEAD SCREW M4X16	6				
071		424559-7	SEAL RING B	1				
072		232280-2	LEAF SPRING	1				
073		454318-5	LINK LEVER	1				
074		911511-9	PAN HEAD SCREW M4X10	1				
075		266041-8	TAPPING SCREW 5X25	4				
076		233603-7	TORSION SPRING 7	1				
077		454338-9	LINK GUIDE	1				
078		141953-5	CRANK HOUSING A COMPLETE	1				
079		126290-8	TORQUE LIMITER ASSEMBLY	1				
	D10		INC. 80-87					
080		254239-9	KEY 4	2				
081		227612-6	SPIRAL BEVEL GEAR 7	1				
082		211232-6	BALL BEARING 6002LLU	1				
083		141959-3	TORQUE LIMITER COMPLETE	1				
084		324727-1	SHOULDER WASHER 8	1				
085		210005-4	BALL BEARING 608DDW	1				
086		253215-0	FLAT WASHER 8	1				
087		961004-6	RETAINING RING S-8	1				
088		326271-4	CRANK SHAFT	1				
089		211332-2	BALL BEARING 6004LLU	1				
090		961060-6	RETAINING RING S-20	1				
091		227772-4	HELICAL GEAR 37	1				
093		253180-3	FLAT WASHER 10	1				
094		424558-9	SEAL RING A	1				
095		141955-1	GEAR HOUSING COMPLETE	1				
096		213231-4	OIL SEAL 15	1				
097		331596-3	SLEEVE 12	1				
098		211137-0	BALL BEARING 6201LLU	1				
099		253744-3	FLAT WASHER 12	1				
100		513888-4	ARMATURE ASS'Y 220-240V	1				
	D10		INC. 97,98,99,101,102					
101		681650-6	INSULATION WASHER	1				
102		210005-4	BALL BEARING 608DDW	1				
103		267721-9	WAVE WASHER 15	1				
104		266568-8	TAPPING SCREW 5X80	2				
105		454329-0	BAFFLE PLATE	1				
106		625758-6	FIELD 220-240V	1				
107		632A84-2	BRUSH HOLDE UNIT	1				
108		194160-9	CARBON BRUSH CB-350	1				
109		454348-6	GUARD 40	1				
110		265999-8	TAPPING SCREW 4X25	2				
111		454316-9	MOTOR HOUSING	1				
112		240146-2	FAN 76	1				
113		253047-5	FLAT WASHER 6	1				
114		931303-0	HEX. NUT M6	1				
115		454328-2	REAR COVER	1				
116		265995-6	TAPPING SCREW 4X18	2				
117		695123-3	POWER SUPPLY CORD 1.5-2-4.0	1				
118		682560-0	CORD GUARD 10	1				
119		419024-9	CORD CLAMP BASE	1				
120		265995-6	TAPPING SCREW 4X18	1				
121		687169-3	STRAIN RELIEF	1				
122		265995-6	TAPPING SCREW 4X18	1				
123		620200-2	CONTROLLER	1				
124		265995-6	TAPPING SCREW 4X18	1				
125		632B52-1	LEAD UNIT	1				
126		454346-0	LENS	1				

Interchange
 O : Yes
 X : No
 < : the new part can be substituted for the current.
 > : the current part can be substituted for the new.
 S : Interchangeable as a set.

