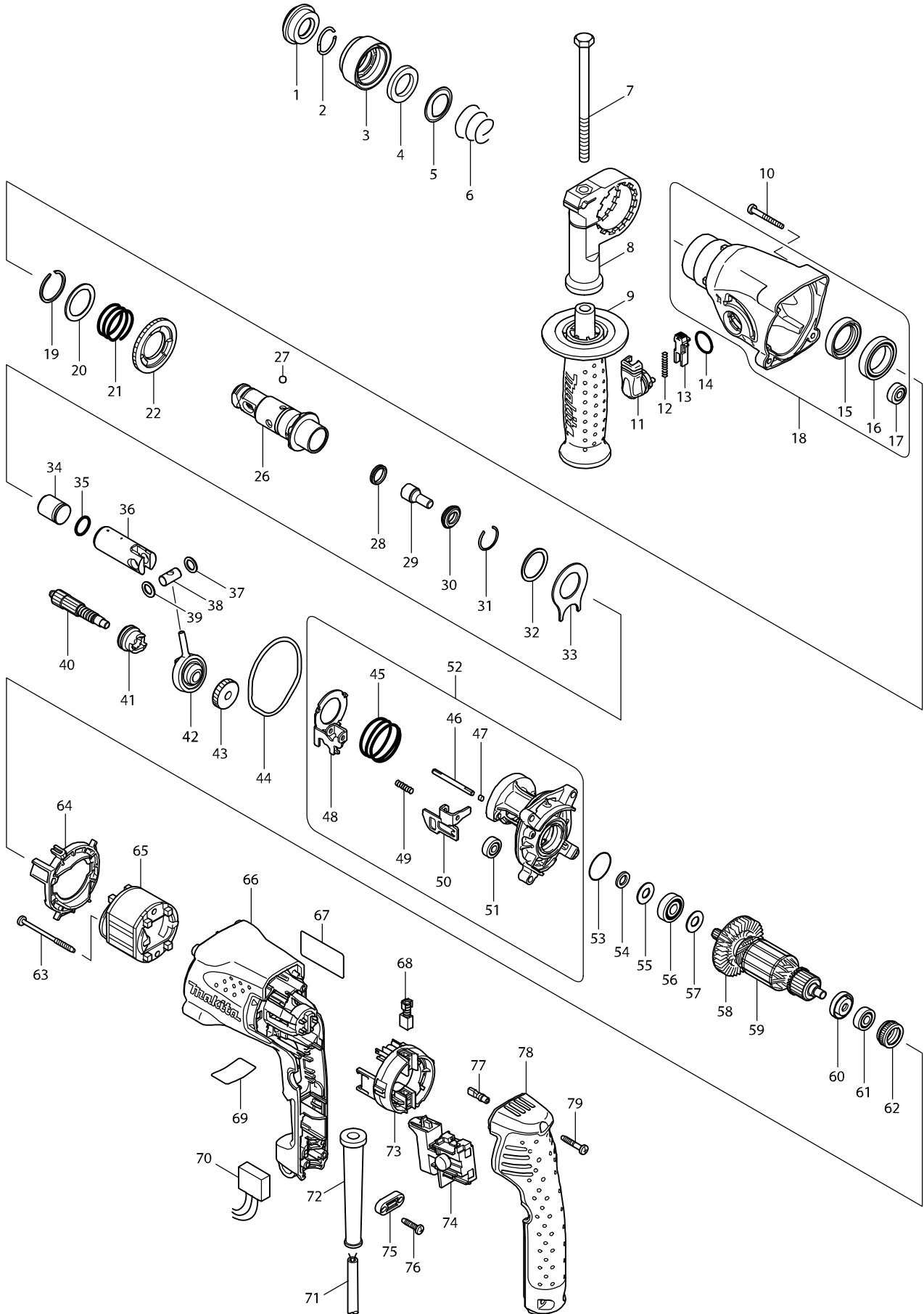


Model No. HR1830 ROTARY HAMMER 18MM



Model No. HR1830 ROTARY HAMMER 18MM

Item	Parts No.	Description	I/C	Qty	N/O	Opt. 1	Opt. 2	Note
001	286263-4	CAP 35		1				
002	233940-9	RING SPRING 19		1				
003	419220-9	CHUCK COVER		1				
004	257241-1	RING 21		1				
005	345187-4	GUIDE WASHER		1				
006	233916-6	CONICAL COMP. SPRING 21-29		1				
007	921923-8	HEX. BOLT M8X120		1				
008	417911-6	GRIP BASE		1				
009	154842-5	GRIP 36 COMPLETE		1	*			
C10	931402-8	HEX. NUT M8		1	*			
009-1	158057-6	GRIP 36 COMPLETE	O	1				
C10	931402-8	HEX. NUT M8		1				
010	266053-1	TAPPING SCREW 4X35		4				
011	162242-5	CHANGE LEVER COMPLETE		1				
012	233459-8	COMPRESSION SPRING 3		1				
013	419192-8	LOCK BUTTON		1				
014	213278-8	O RING 17		1				
015	213956-0	OIL SEAL 25		1	*			
015-1	213535-4	OIL SEAL 25	O	1				
016	211375-4	BALL BEARING 6805LLB		1				
017	211012-0	BALL BEARING 606ZZ		1				
018	154840-9	GEAR HOUSING COMPLETE		1				
D10		INC. 15-17						
019	961135-1	RETAINING(EXT) WR-25		1				
020	267304-5	FLAT WASHER 25		1				
021	233457-2	COMPRESSION SPRING 25		1				
022	331707-0	SPUR GEAR 46		1				
026	154843-3	TOOL HOLDER COMPLETE		1				
027	216022-2	STEEL BALL 7.0		1				
028	213183-9	X RING 13		1				
029	324611-0	IMPACT BOLT		1				
030	257275-4	RING 11		1				
031	233942-5	RING SPRING 22		1				
032	267175-0	FLAT WASHER 24		1				
033	345681-6	JOINT PLATE		1				
034	324613-6	STRIKER		1				
035	213182-1	O RING 14		1				
036	331708-8	PISTON CYLINDER		1				
037	267130-2	FLAT WASHER 9		1				
038	324612-8	PISTON JOINT		1				
039	267130-2	FLAT WASHER 9		1				
040	227152-4	SPUR GEAR 10		1				
041	331706-2	CLUTCH CAM		1				
042	219019-0	SWASH BEARING 9		1				
043	226620-4	HELICAL GEAR 23		1				
044	423346-1	SEAL RING		1				
045	233458-0	COMPRESSION SPRING 32		1				
046	268147-8	PIN 4		1				

Model No. HR1830 ROTARY HAMMER 18MM

Item	Parts No.	Description	I/C	Qty	N/O	Opt. 1	Opt. 2	Note
047	443123-5	FELT 4X3		1				
048	345645-0	CHANGE PLATE		1				
049	233460-3	COMPRESSION SPRING 3		1				
050	345654-9	STOPPER PLATE		1				
051	211012-0	BALL BEARING 606ZZ		1				
052	154841-7	INNER HOUSING COMPLETE		1				
D10		INC. 45-51						
053	213953-6	O RING 24		1				
054	267302-9	FLAT WASHER 9		1				
055	267231-6	FLAT WASHER 9		1				
056	210060-6	BALL BEARING 609LLU		1				
057	267231-6	FLAT WASHER 9		1				
058	240083-0	FAN 52		1				
059	515649-8	ARMATURE ASS'Y 240V		1				
D10		INC. 56-58,60,61						
060	681636-0	INSULATION WASHER		1				
061	210017-7	BALL BEARING 607DDW		1				
062	421868-5	LABYRINTH RUBBER RING 19		1				
063	266091-3	TAPPING SCREW 4X50		2				
064	419196-0	BAFFLE PLATE		1				
065	633624-3	FIELD 220-240V		1				
066	419198-6	MOTOR HOUSING		1				
067	862449-0	HR1830 NAME PLATE		1				
068	191962-4	CARBON BRUSH CB-419		1				
069	814932-3	HR1830 SERIAL NUMBER LABEL		1				
071	692527-0	POWER SUPPLY CORD 1.0-2-2.5		1				
072	682566-8	CORD GUARD 10		1				
073	638236-7	BRUSH HOLDER UNIT		1				
074	650570-5	SWITCH TG843TB-2		1				
075	687052-4	STRAIN RELIEF		1	*			
075-1	687124-5	STRAIN RELIEF	O	1				
076	265995-6	TAPPING SCREW 4X18		2				
077	686038-5	RECEPTACLE SLEEVE		2				
078	419197-8	HANDLE COVER		1				
079	265999-8	TAPPING SCREW 4X25		3				
080	819358-4	CLEAR LABEL		1	*			
080-1	892830-1	CLEAR LABEL	<	1				
081	819363-1	CLEAR LABEL		1	*			
081-1	892828-8	CLEAR LABEL		1				
A01	415486-9	DEPTH GAUGE		1				
A02	804343-0	HR1830 MODEL NO. LABEL		1				
A03	824650-5	PLASTIC CARRYING CASE		1				
C10	417724-5	LATCH		2				
C20	819144-3	MAKITA LOGO LABEL		1				