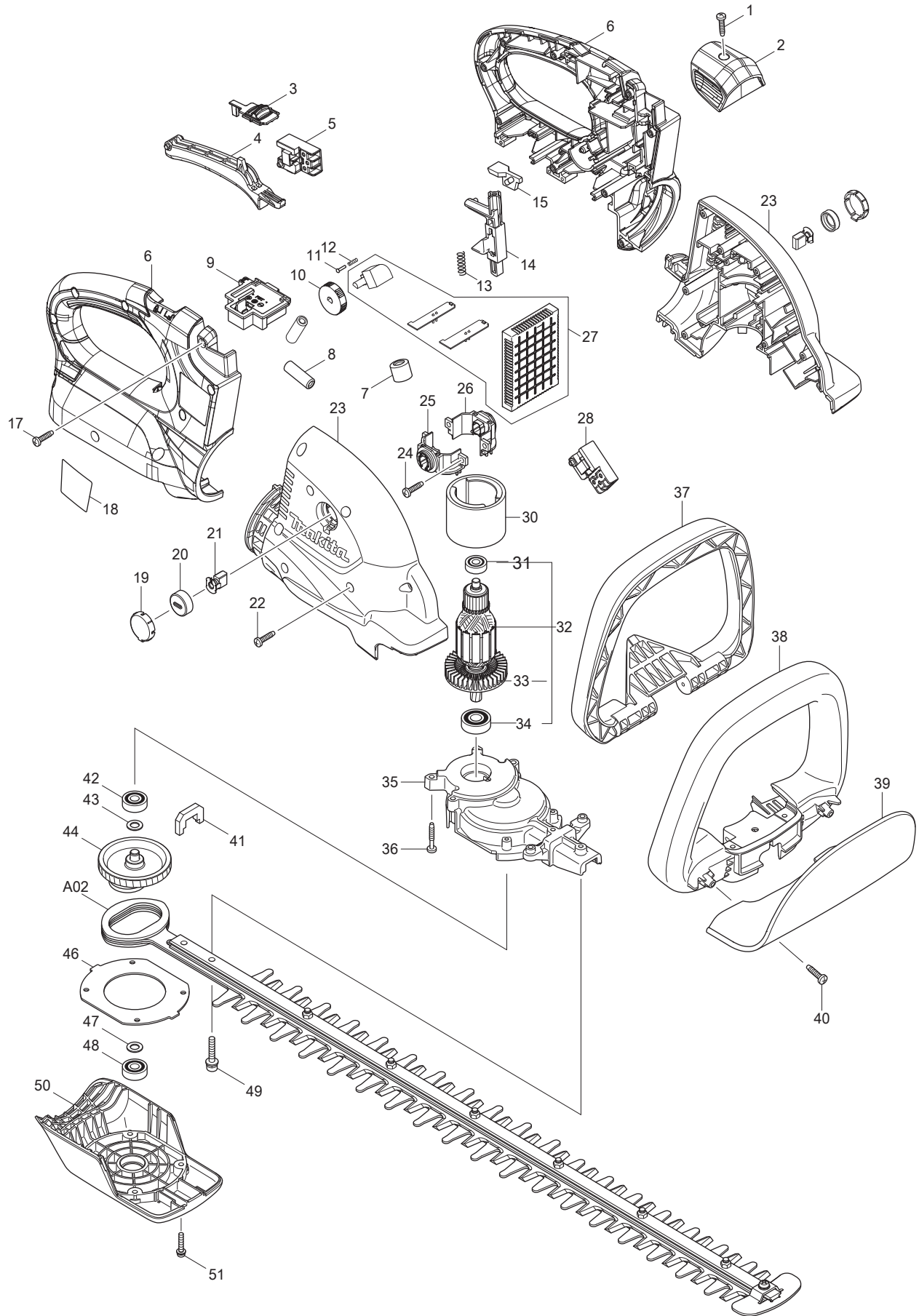




04 - 2014

DUH651Z

18VX2 25-1/2" HEDGE TRIMMER



Item	Type	Part No	Description	Qty	Unit
1		265995-6	TAPPING SCREW 4X18	1	PC.
2		452164-0	KNOB	1	PC.
3		455093-6	LOCK OFF LEVER	1	PC.
4		455091-0	SWITCH LEVER A	1	PC.
5		650730-9	SWITCH TG72BD-6	1	PC.
6		187879-7	HANDLE SET	1	SET
	INC.	263005-3	RUBBER PIN 6	4	PC.
	INC.	803N80-7	INDICATION LABEL	1	PC.
9		644808-8	TERMINAL	2	PC.
10		271427-3	DIAL 28	1	PC.
11		255058-6	RIVET 2	1	PC.
12		233002-3	COMPRESSION SPRING 3	1	PC.
13		233117-6	COMPRESSION SPRING 6	1	PC.
14		452162-4	LOCK LEVER	1	PC.
15		455092-8	SLIDER	1	PC.
17		265995-6	TAPPING SCREW 4X18	10	PC.
18		815R03-7	NAME PLATE F/DUH651	1	PC.
19		452145-4	HOLDER CAP COVER	2	PC.
20		643941-3	BRUSH HOLDER CAP	2	PC.
21		195023-2	CARBON BRUSH CB-442 2PC/SET (W/ ORIGIN)	1	SET
22		265995-6	TAPPING SCREW 4X18	8	PC.
23		187878-9	HOUSING SET	1	SET
	INC.	263025-7	RUBBER PIN 4	4	PC.
24		265995-6	TAPPING SCREW 4X18	2	PC.
25		644511-1	BRUSH HOLDER	1	PC.
26		644512-9	BRUSH HOLDER	1	PC.
27		620274-3	CONTROLLER	1	PC.
28		650730-9	SWITCH TG72BD-6	1	PC.
30		638020-0	YOKE UNIT	1	PC.
31		211022-7	BALL BEARING 607ZZ	1	PC.
32		519261-6	ARMATURE ASSEMBLY 36V	1	PC.
	INC.		Item No. 31, 33, 34		
33		240045-8	FAN 55	1	PC.
34		211062-5	BALL BEARING 6000ZZ	1	PC.
35		140604-7	GEAR HOUSING COMPLETE	1	PC.
	INC.	263002-9	RUBBER PIN 4	1	PC.
36		265999-8	TAPPING SCREW 4X25	6	PC.
37		452160-8	SWITCH LEVER B	1	PC.
38		452158-5	FRONT GRIP	1	PC.
39		142649-1	PROTECTOR COMPLETE	1	PC.
	INC.	803N81-5	CAUTION LABEL	1	PC.
	INC.	803N82-3	CAUTION LABEL	1	PC.
40		265995-6	TAPPING SCREW 4X18	2	PC.
41		443142-1	DUST GUARD	1	PC.
42		211032-4	BALL BEARING 608ZZ	1	PC.
43		253835-0	FLAT WASHER 8	1	PC.
44		142215-4	GEAR COMPLETE	1	PC.
46		346325-1	PLATE	1	PC.
47		253835-0	FLAT WASHER 8	1	PC.
48		211032-4	BALL BEARING 608ZZ	1	PC.
49		265182-7	+ PAN HEAD SCREW M5X25	2	PC.
50		452156-9	UNDER COVER	1	PC.
51		911138-5	PAN HEAD SCREW M4X20	4	PC.
100		654510-5	INSULATED CONNECTOR 5.5-SD	1	PC.
C01		876089-8	CARTON	1	PC.
E01		632E32-5	FUSE UNIT	1	PC.

Item	Type	Part No	Description	Qty	Unit
<u>ACCESSORIES</u>		- See Catalogue or visit www.makita.ca for more accessories -			
A01		450490-1	BLADE COVER	1	PC.
A02		196689-1	SHEAR BLADE ASSEMBLY SET	1	PC.
	INC.	264013-7	HEX. LOCK NUT M5-8	7	PC.
	INC.	257766-5	SLEEVE 5	9	PC.
	INC.	265181-9	+TRUSS HEAD SCREW M5X20	7	PC.
	INC.	345205-8	BRANCH CATCHER	1	PC.
	INC.	911208-0	PAN HEAD SCREW M5X10	1	PC.
	INC.	188605-7	OIL VESSEL SET	1	PC.
A03		194681-1	CHIP RECEIVER ASS'Y SET	1	PC.
A04		-----	18V LI-ION BATTERY		
A05		-----	BATTERY CHARGER		
A06		-----	LI-ION BATTERY ACCESSORIES		