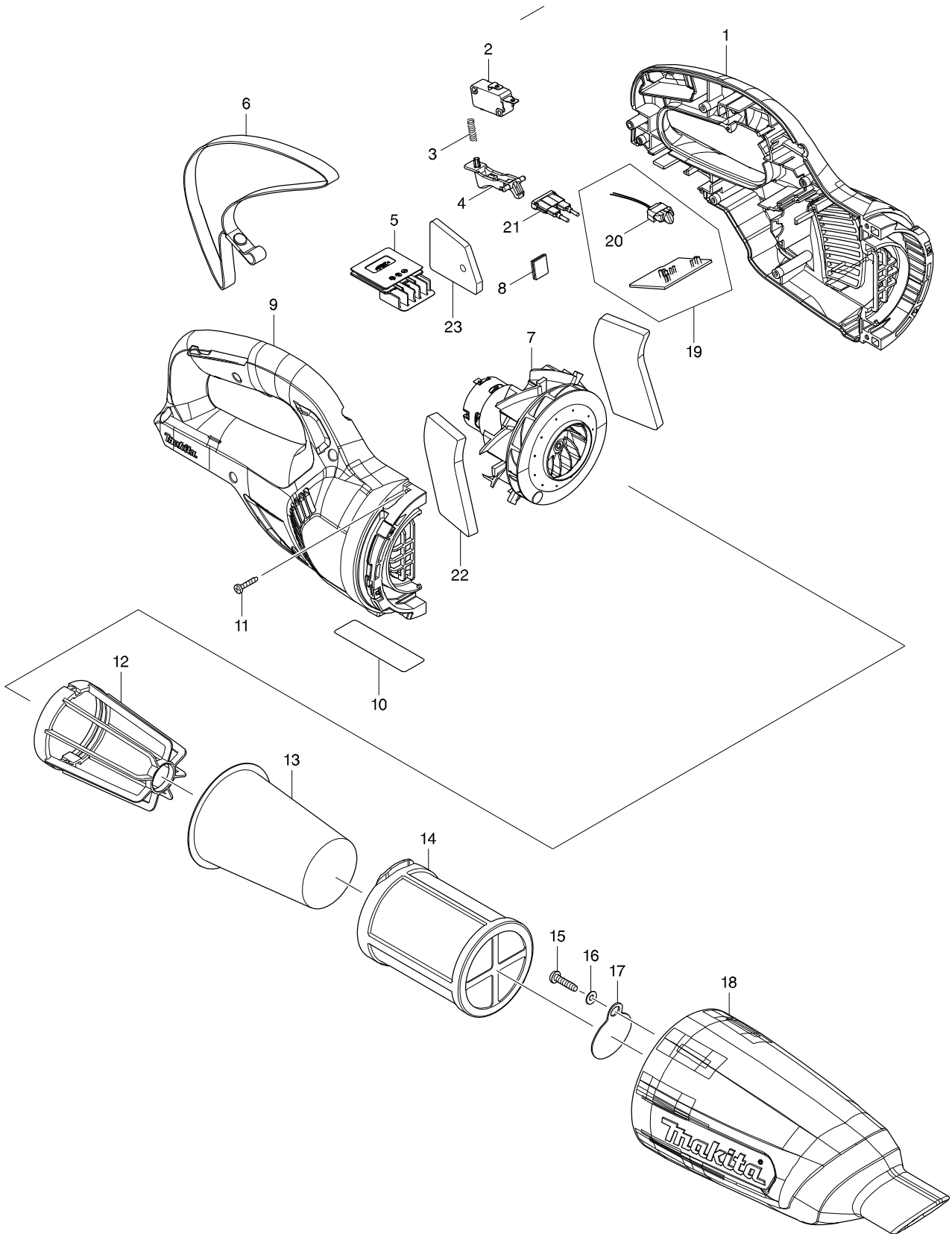


Model No. CL106FD CORDLESS CLEANER



Model No. CL106FD CORDLESS CLEANER

Item	Parts No.	Description	I/C	Qty	N/O	Opt. 1	Opt. 2	Note
D10		INC. 9						
001A	183E88-6	HOUSING SET		1				
001B	183E88-6	HOUSING SET		1				
001C	183E86-0	HOUSING SET		1				
001D	183E86-0	HOUSING SET		1				
002	650744-8	SWITCH D3V-16-3C26		1				
003	231473-8	COMPRESSION SPRING 4		1				
004	455743-3	SWITCH LEVER		1				
005	644813-5	TERMINAL		1				
007	123849-2	MOTOR ASSEMBLY		1				
008	424248-4	SPONGE SHEET 15-25		1				
D10		INC. 1						
009A	183E88-6	HOUSING SET		1				
009B	183E88-6	HOUSING SET		1				
009C	183E86-0	HOUSING SET		1				
009D	183E86-0	HOUSING SET		1				
010	852S17-1	CL106FD NAME PLATE		1				
011	266429-2	TAPPING SCREW 3X16		7				
012	410237-5	STAY		1				
013	443060-3	FILTER		1				
014	451208-3	PRE-FILTER		1				
015	265995-6	TAPPING SCREW 4X18		1				
016	941051-3	FLAT WASHER 4		1				
017	424208-6	VALVE		1				
018A	457281-1	CAPSULE		1				
018B	457281-1	CAPSULE		1				
018C	457145-9	CAPSULE		1				
018D	457145-9	CAPSULE		1				
019	632H48-8	CONTROLLER UNIT		1				
D10		INC. 20						
020	620601-4	LED CIRCUIT		1				
021	632H63-2	FUSE UNIT		1				
022	424913-5	SPONGE SHEET 35-70		2				
023	422150-5	SPONGE SHEET 38-43		1				
C10	451410-8	ROLLER		4				
C20	268208-4	PIN 3		4				
C30	424096-1	WIPER		1				
A01A	123488-8	NOZZLE ASSEMBLY		1				
A01B	123488-8	NOZZLE ASSEMBLY		1				
A01C	123486-2	NOZZLE ASSEMBLY		1				
A01D	123486-2	NOZZLE ASSEMBLY		1				
A02A	451243-1	SASH NOZZLE		1				
A02B	451243-1	SASH NOZZLE		1				
A02C	451240-7	SASH NOZZLE		1				
A02D	451240-7	SASH NOZZLE		1				
A03A	451244-9	PIPE		1				
A03B	451244-9	PIPE		1				
A03C	451241-5	PIPE		1				

