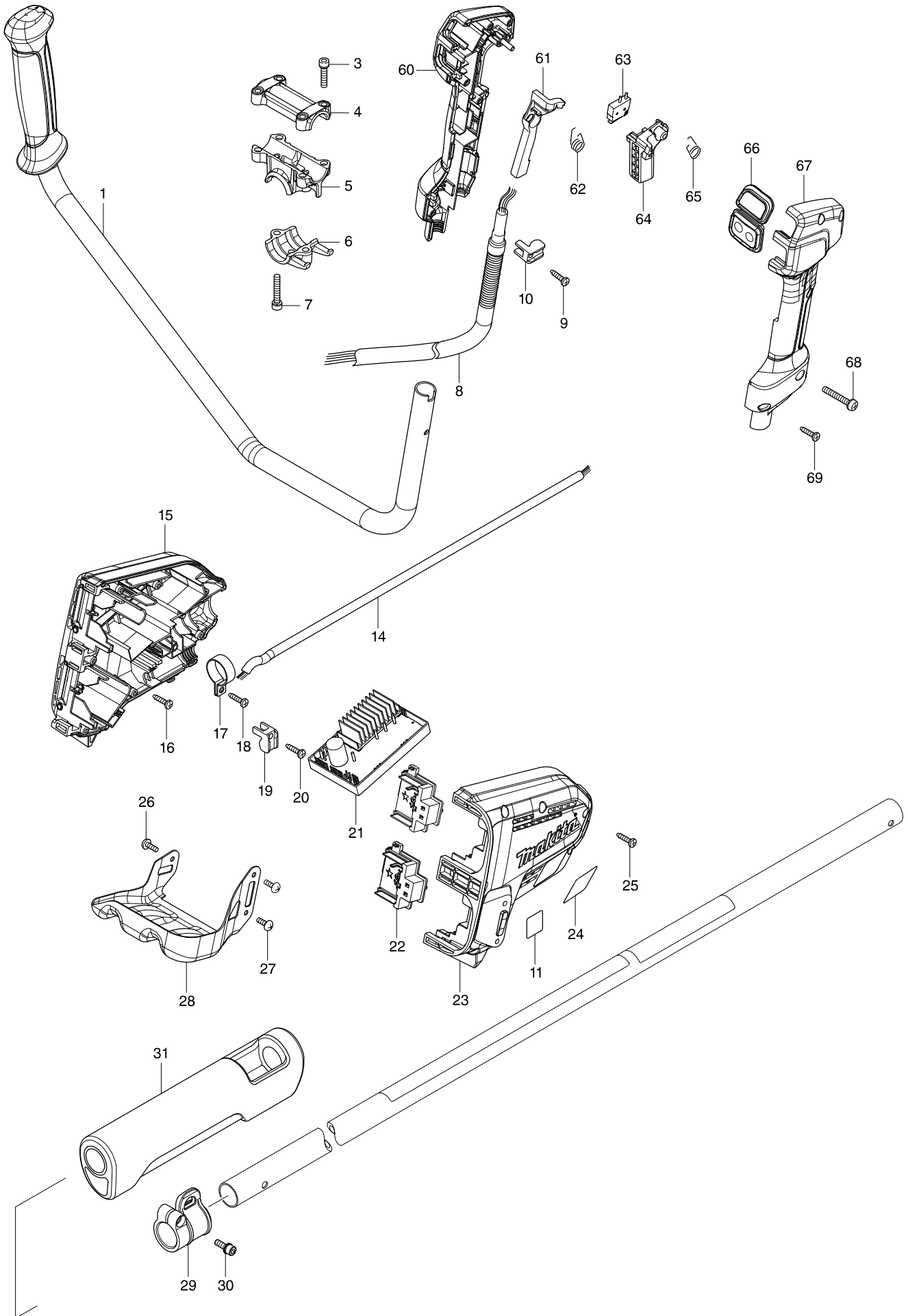
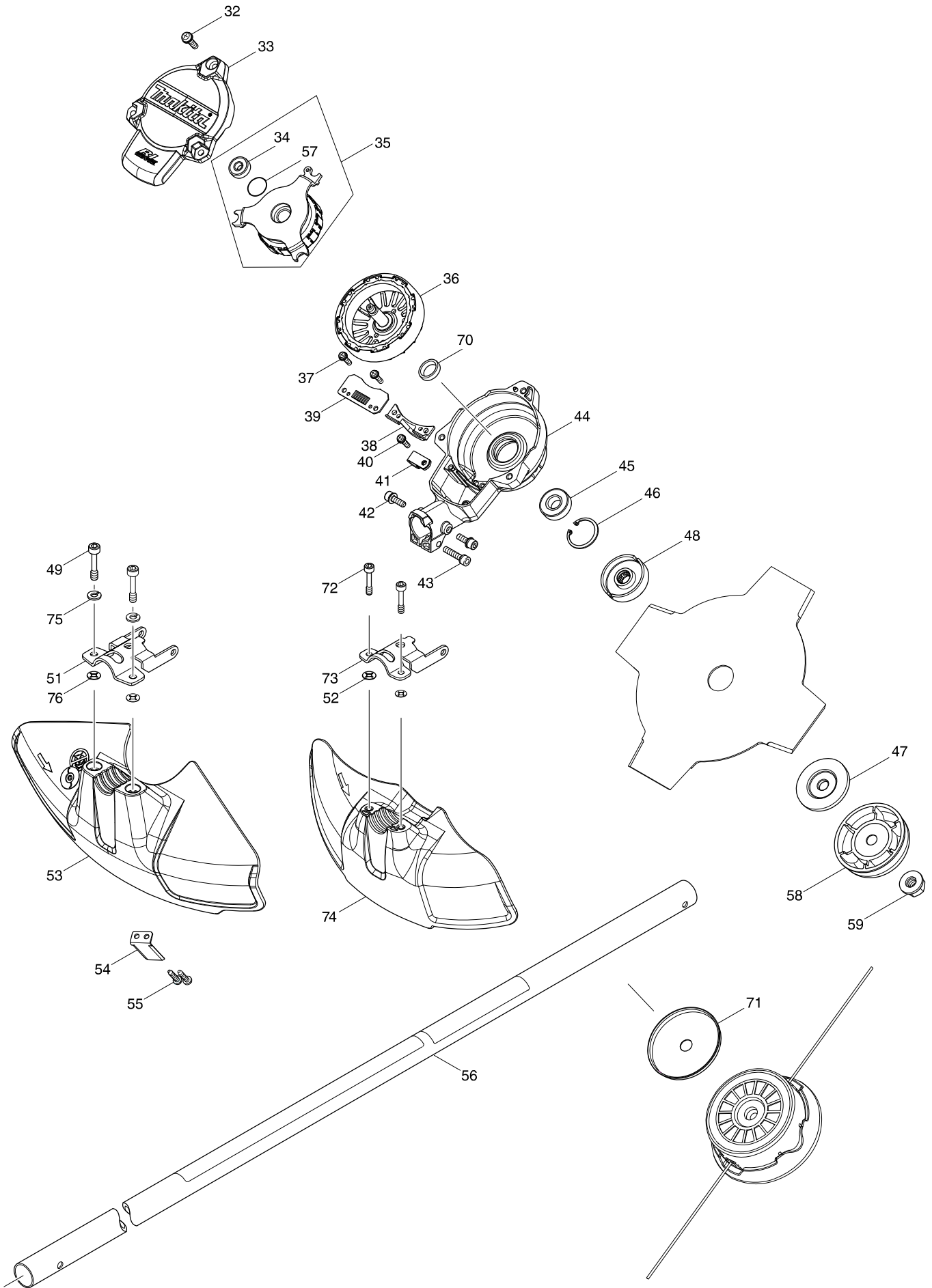


# Model No. DUR365U CORDLESS GRASS TRIMMER



# Model No. DUR365U CORDLESS GRASS TRIMMER



# Model No. DUR365U CORDLESS GRASS TRIMMER

Item	Parts No.	Description	I/C	Qty	N/O	Sales	Purch.	Note
001	143187-6	HANDLE COMPLETE		1				
003	922241-7	HEX. SOCKET HEAD BOLT M5X25		4				
004	318272-6	HANDLE HOLDER 1		1				
005	318273-4	HANDLE HOLDER 2		1				
006	318274-2	HANDLE HOLDER 3		1				
007	922251-4	HEX. SOCKET HEAD BOLT M5X30		2				
008	699069-5	POWER SUPPLY CORD UNIT		1				
009	266326-2	TAPPING SCREW 4X18		1				
010	687261-5	STRAIN RELIEF		1				
014	699067-9	POWER SUPPLY CORD UNIT		1				
015	183A64-6	HOUSING SET		1				
C10	263005-3	RUBBER PIN 6		4				
D10		INC. 23						
016	266326-2	TAPPING SCREW 4X18		3				
017	346248-3	CLAMP 24		1				
018	266326-2	TAPPING SCREW 4X18		1				
019	687261-5	STRAIN RELIEF		1				
020	266326-2	TAPPING SCREW 4X18		1				
021	143186-8	CONTROLLER COMPLETE		1				
022	644808-8	TERMINAL		2				
023	183A64-6	HOUSING SET		1				
C10	263005-3	RUBBER PIN 6		4				
D10		INC. 15						
024	850U28-2	DUR365U NAME PLATE		1				
025	266326-2	TAPPING SCREW 4X18		7				
026	251314-2	+ SCREW M4X12		1				
027	251314-2	+ SCREW M4X12		2				
028	346858-6	BATTERY GUARD		1				
029	168478-4	HANGER		1				
030	922228-9	H.S.H.BOLT M5X18 WITH WR		1				
031	424463-0	CUSHION		1				
032	911233-1	PAN HEAD SCREW M5X20		3				
033	455626-7	TOP COVER		1				
034	210062-2	BALL BEARING 607ZZ		1				
035	529146-8	STATOR ASS'Y		1				
D10		INC. 34,57						
036	619368-9	ROTOR		1				
037	911128-8	PAN HEAD SCREW M4X16		2				
038	455628-3	INNER COVER		1				
039	620401-2	CONTROLLER B		1				
040	911128-8	PAN HEAD SCREW M4X16		1				
041	687042-7	STRAIN RELIEF		1				
042	922223-9	H.S.H.BOLT M5X16 WITH WR		2				
043	922241-7	HEX. SOCKET HEAD BOLT M5X25		1				
044	143039-1	MOTOR HOUSING COMPLETE		1				
045	211131-2	BALL BEARING 6001DDW		1				
046	962106-1	RETAINING RING R-28		1				
047	346084-7	CLAMP WASHER		1				

# Model No. DUR365U CORDLESS GRASS TRIMMER

Item	Parts No.	Description	I/C	Qty	N/O	Sales	Purch.	Note
048	326518-6	RECEIVE WASHER A		1				
049	266579-3	HEX SOCKET HEAD BOLT M6X30		2				
051	346073-2	PROTECTOR CLAMP		1				
052	261156-6	POLYPROPYLENE WASHER 4		2				
053	455926-5	PROTECTOR		1				
054	346855-2	CUTTER		1				
055	266326-2	TAPPING SCREW 4X18		2				
056	143180-0	PIPE COMPLETE E		1				
C10	819312-8	MAKITA LOGO LABEL		1				
C20	806G53-7	CAUTION LABEL		1				
057	213325-5	O RING 19		1				
058	168526-9	CUP		1				
059	264025-0	HEX. NUT M10-17		1				
060	183A77-7	GRIP SET		1				
D10		INC. 67						
061	455629-1	LOCK OFF LEVER		1				
062	233621-5	TORSION SPRING 9		1				
063	632E40-6	SWITCH UNIT		1				
064	455816-2	SWITCH LEVER		1				
065	233612-6	TORSION SPRING 10		1				
066	143185-0	SUB CONTROLLER COMPLETE		1				
067	183A77-7	GRIP SET		1				
D10		INC. 60						
068	911256-9	PAN HEAD SCREW M5X35		1				
069	266326-2	TAPPING SCREW 4X18		5				
070	326586-9	RING 14		1				
071	346622-5	GUARD		1				
072	266896-1	HEX. SOCKET HEAD BOLT M5X20		2				
073	346785-7	PROTECTOR CLAMP		1				
074	455815-4	PROTECTOR		1				
075	942151-2	SPRING WASHER 6		2				
076	413143-3	WASHER		2				
A01	125516-5	BAND ASSEMBLY		1				
A02	A-56926	TIPPED SAW BLADE 230		1				
A03	195246-2	SAFETY GOGGLE		1				
A04	450573-7	TOOL COVER		2				
A05	783013-3	BOX DRIVER 16-17		1				
A06	783217-7	HEX. WRENCH 5		1				
A07	831304-7	ACCESSORY BAG		1				
A08	783202-0	HEX. WRENCH 4		1				
A09B	***DC18RC	DC18RC FAST CHARGER		1				
A10B	196399-0	BATTERY BL1840 SET		2	*			
A10-1B	197265-4	BATTERY BL1840B SET	<	2				
A11A	123363-8	CUTTER ASSEMBLY		1				
A11B	450128-8	BATTERY COVER		2				
A12B	123363-8	CUTTER ASSEMBLY		1				