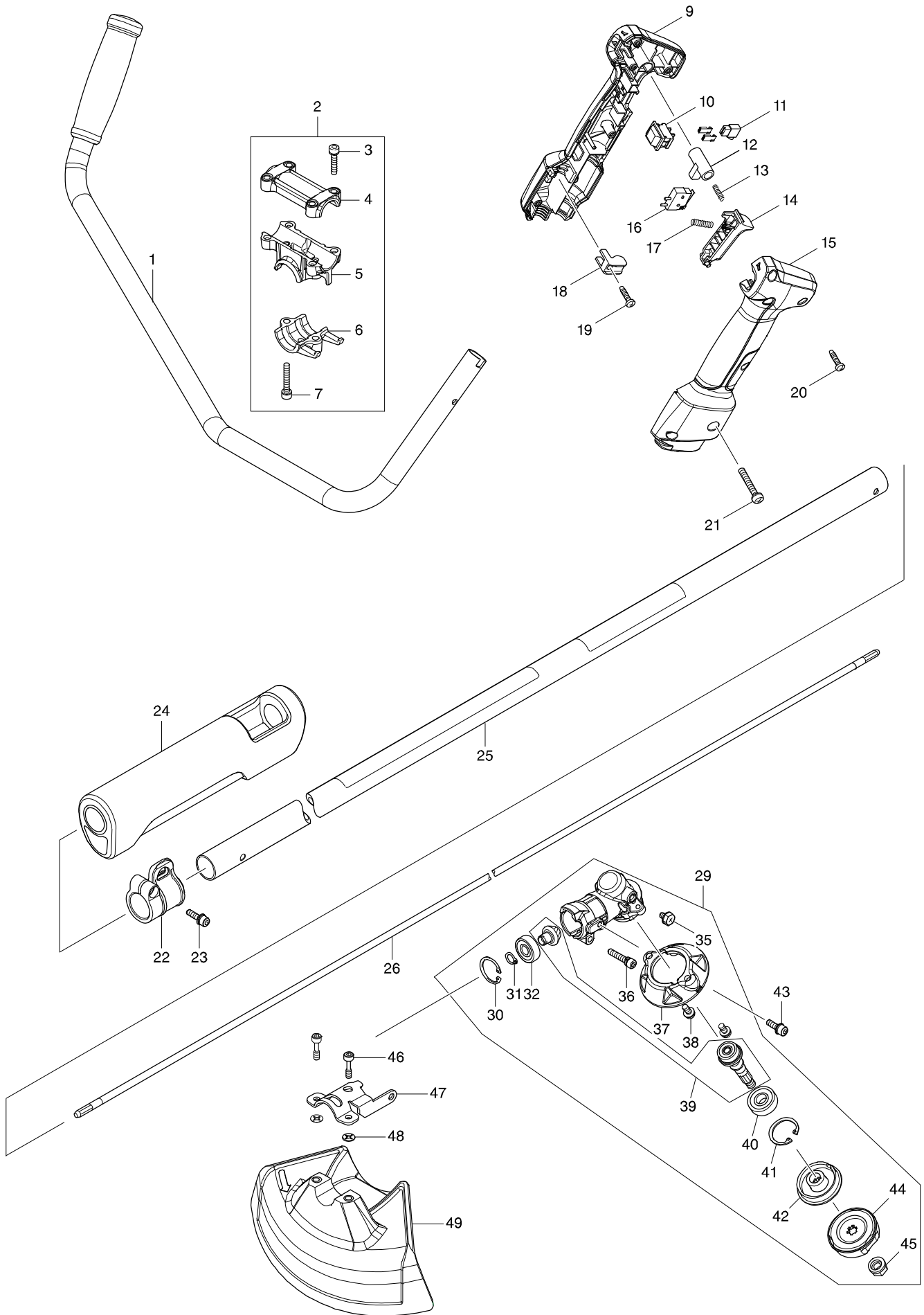
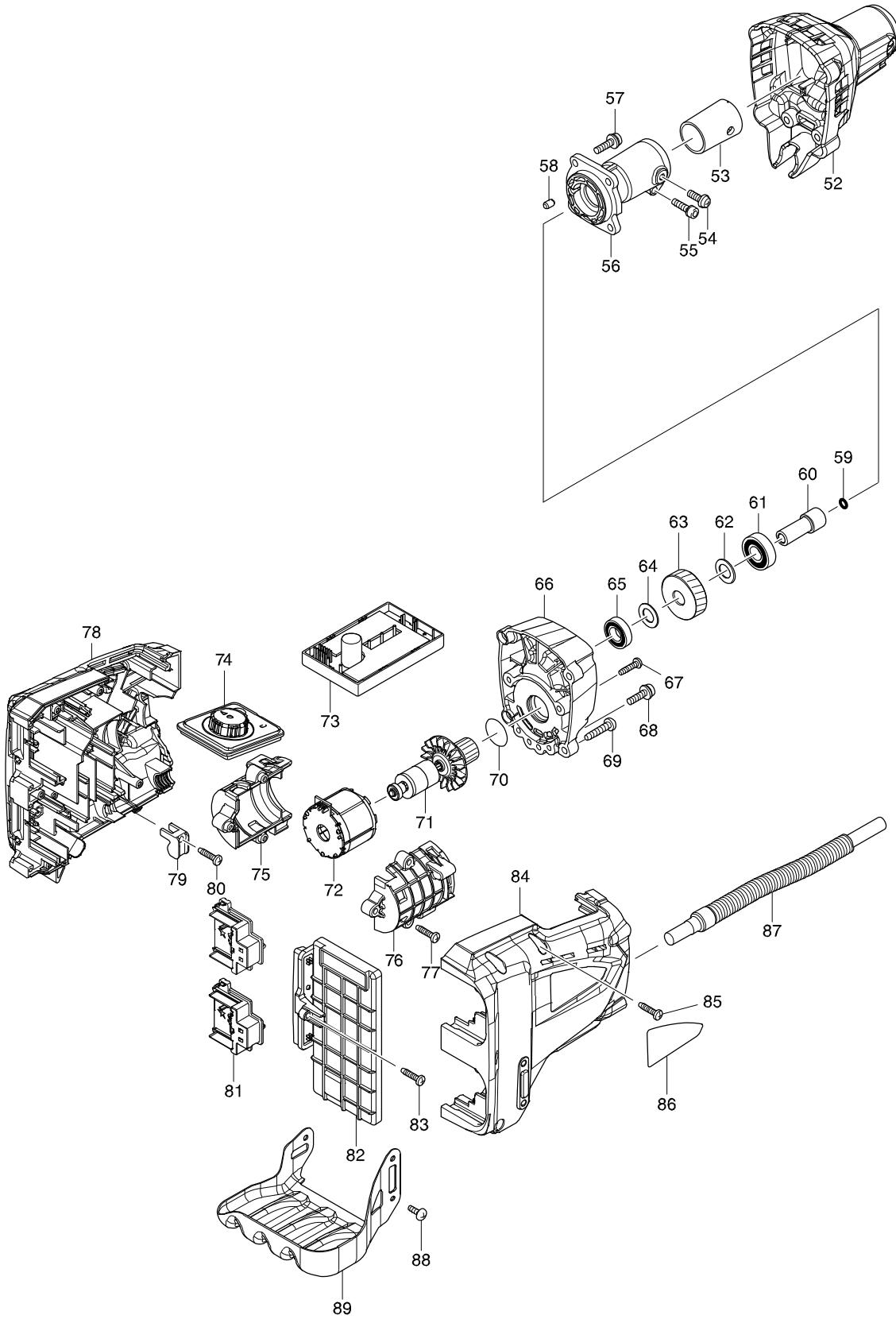


Model No. DUR361U CORDLESS GRASS TRIMMER



Model No. DUR361U CORDLESS GRASS TRIMMER



Model No. DUR361U CORDLESS GRASS TRIMMER

| Item | Parts No. | Description | I/C | Qty | N/O | Opt. 1 | Opt. 2 | Note |
|------|-----------|-----------------------------|-----|-----|-----|--------|--------|------|
| 001 | 142636-0 | HANDLE COMPLETE | | 1 | | | | |
| 002 | 135395-3 | HANDLE HOLDER ASSY | | 1 | | | | |
| D10 | | INC. 3-7 | | | | | | |
| 003 | 922241-7 | HEX. SOCKET HEAD BOLT M5X25 | | 4 | | | | |
| 004 | 318272-6 | HANDLE HOLDER 1 | | 1 | | | | |
| 005 | 318273-4 | HANDLE HOLDER 2 | | 1 | | | | |
| 006 | 318274-2 | HANDLE HOLDER 3 | | 1 | | | | |
| 007 | 922251-4 | HEX. SOCKET HEAD BOLT M5X30 | | 2 | | | | |
| 009 | 187587-0 | MAIN GRIP SET | | 1 | | | | |
| D10 | | INC. 15 | | | | | | |
| 010 | 651533-4 | SWITCH SLE6A2-33 | | 1 | | | | |
| 011 | 686015-7 | RECEPTACLE SLEEVE | | 1 | | | | |
| 012 | 454298-5 | LOCK OFF BUTTON | | 1 | | | | |
| 013 | 233114-2 | COMPRESSION SPRING 4 | | 1 | | | | |
| 014 | 454295-1 | SWITCH LEVER | | 1 | | | | |
| 015 | 187587-0 | MAIN GRIP SET | | 1 | | | | |
| D10 | | INC. 9 | | | | | | |
| 016 | 650704-0 | SWITCH D2SW-P01L1-3M | | 1 | | | | |
| 017 | 234003-4 | COMPRESSION SPRING 5 | | 1 | | | | |
| 018 | 687261-5 | STRAIN RELIEF | | 1 | | | | |
| 019 | 265995-6 | TAPPING SCREW 4X18 | | 1 | | | | |
| 020 | 265995-6 | TAPPING SCREW 4X18 | | 5 | | | | |
| 021 | 911256-9 | PAN HEAD SCREW M5X35 | | 1 | | | | |
| 022 | 168478-4 | HANGER | | 1 | | | | |
| 023 | 922228-9 | H.S.H.BOLT M5X18 WITH WR | | 1 | | | | |
| 024 | 424463-0 | CUSHION | | 1 | | | | |
| 025 | 142648-3 | SHAFT PIPE COMPLETE N | | 1 | | | | |
| C10 | 801H77-4 | CAUTION LABEL | | 1 | | | | |
| C20 | 819312-8 | MAKITA LOGO LABEL | | 1 | | | | |
| 026 | 324893-4 | SHAFT | | 1 | | | | |
| 029 | 126438-2 | GEAR CASE ASSEMBLY A | | 1 | | | | |
| D10 | | INC. 30-32,35-42,44,45 | | | | | | |
| 030 | 257987-9 | RETAINING RING (INT)R-24 | | 1 | | | | |
| 031 | 257986-1 | RETAINING RING (EXT) S-9 | | 1 | | | | |
| 032 | 210049-4 | BALL BEARING 609ZZ | | 1 | | | | |
| 035 | 265578-2 | +HEX.BOLT M6X8 | | 1 | | | | |
| 036 | 266805-0 | H.S.H.BOLT M5X25 WITH W | | 1 | | | | |
| 037 | 455026-1 | GUARD | | 1 | | | | |
| 038 | 265195-8 | +PAN HEAD SCREW M5X12 | | 2 | | | | |
| 039 | 187920-6 | CUTTER SHAFT SET | | 1 | | | | |
| 040 | 210082-6 | BALL BEARING 6000DDU | | 1 | | | | |
| 041 | 257988-7 | RETAINING RING (INT) R-26 | | 1 | | | | |
| 042 | 332042-9 | RECEIVE WASHER | | 1 | | | | |
| 043 | 922223-9 | H.S.H.BOLT M5X16 WITH WR | | 1 | | | | |
| 044 | 168797-8 | CLAMP WASHER COMPLETE | | 1 | | | | |
| 045 | 264018-7 | HEX.NUT M8 | | 1 | | | | |
| 046 | 266896-1 | HEX. SOCKET HEAD BOLT M5X20 | | 2 | | | | |
| 047 | 346785-7 | PROTECTOR CLAMP | | 1 | | | | |

Model No. DUR361U CORDLESS GRASS TRIMMER

| Item | Parts No. | Description | I/C | Qty | N/O | Opt. 1 | Opt. 2 | Note |
|-------|-----------|-----------------------------|-----|-----|-----|--------|--------|------|
| 048 | 261156-6 | POLYPROPYLENE WASHER 4 | | 2 | | | | |
| 049 | 455172-0 | PROTECTOR | | 1 | | | | |
| 052 | 454995-3 | GEAR BOX COVER | | 1 | | | | |
| 053 | 424307-4 | PIPE RUBBER | | 1 | | | | |
| 054 | 911223-4 | PAN HEAD SCREW M5X16 | | 1 | | | | |
| 055 | 922231-0 | HEX. SOCKET HEAD BOLT M5X20 | | 1 | | | | |
| 056 | 318560-1 | PIPE BRACKET | | 1 | | | | |
| 057 | 911233-1 | PAN HEAD SCREW M5X20 | | 4 | | | | |
| 058 | 263002-9 | RUBBER PIN 4 | | 1 | | | | |
| 059 | 213045-1 | O-RING 6 | | 1 | | | | |
| 060 | 325811-5 | SPINDLE HUB | | 1 | | | | |
| 061 | 211148-5 | BALL BEARING 6001ZZ | | 1 | | | | |
| 062 | 253744-3 | FLAT WASHER 12 | | 1 | | | | |
| 063 | 227720-3 | HELICAL GEAR 33 | | 1 | | | | |
| 064 | 253744-3 | FLAT WASHER 12 | | 1 | | | | |
| 065 | 211150-8 | BALL BEARING 6901ZZ | | 1 | | | | |
| 066 | 318559-6 | GEAR BOX | | 1 | | | | |
| 067 | 265995-6 | TAPPING SCREW 4X18 | | 4 | | | | |
| 068 | 911233-1 | PAN HEAD SCREW M5X20 | | 2 | | | | |
| 069 | 266041-8 | TAPPING SCREW 5X25 | | 4 | | | | |
| 070 | 213961-7 | O RING 22 | | 1 | | | | |
| 071 | 619254-4 | ROTOR | | 1 | | | | |
| 072 | 629123-1 | STATOR | | 1 | | | | |
| 073 | 620285-8 | CONTROLLER | | 1 | * | | | |
| 073-1 | 620500-0 | CONTROLLER | S | 1 | | | | |
| 074 | 142639-4 | SUB CONTROLLER COMPLETE A | | 1 | | | | |
| 075 | 188838-4 | MOTOR HOUSING SET | | 1 | | | | |
| D10 | | INC. 76 | | | | | | |
| 076 | 188838-4 | MOTOR HOUSING SET | | 1 | | | | |
| D10 | | INC. 75 | | | | | | |
| 077 | 265995-6 | TAPPING SCREW 4X18 | | 3 | | | | |
| 078 | 187876-3 | HOUSING SET | | 1 | * | | | |
| D10 | | INC. 84 | | | * | | | |
| 078-1 | 183B91-9 | HOUSING SET | S | 1 | | | | |
| D10 | | INC. 84 | | | | | | |
| 079 | 687261-5 | STRAIN RELIEF | | 1 | | | | |
| 080 | 265995-6 | TAPPING SCREW 4X18 | | 1 | | | | |
| 081 | 644808-8 | TERMINAL | | 2 | | | | |
| 082 | 142642-5 | ADAPTER CIRCUIT COMPLETE | | 1 | | | | |
| 083 | 265995-6 | TAPPING SCREW 4X18 | | 3 | | | | |
| 084 | 187876-3 | HOUSING SET | | 1 | * | | | |
| D10 | | INC. 78 | | | * | | | |
| 084-1 | 183B91-9 | HOUSING SET | S | 1 | | | | |
| D10 | | INC. 78 | | | | | | |
| 085 | 265995-6 | TAPPING SCREW 4X18 | | 5 | | | | |
| 086 | 815N65-1 | DUR361U NAME PLATE | | 1 | | | | |
| 087 | 699060-3 | POWER SUPPLY CORD UNIT | | 1 | | | | |
| 088 | 251314-2 | + SCREW M4X12 | | 3 | | | | |

