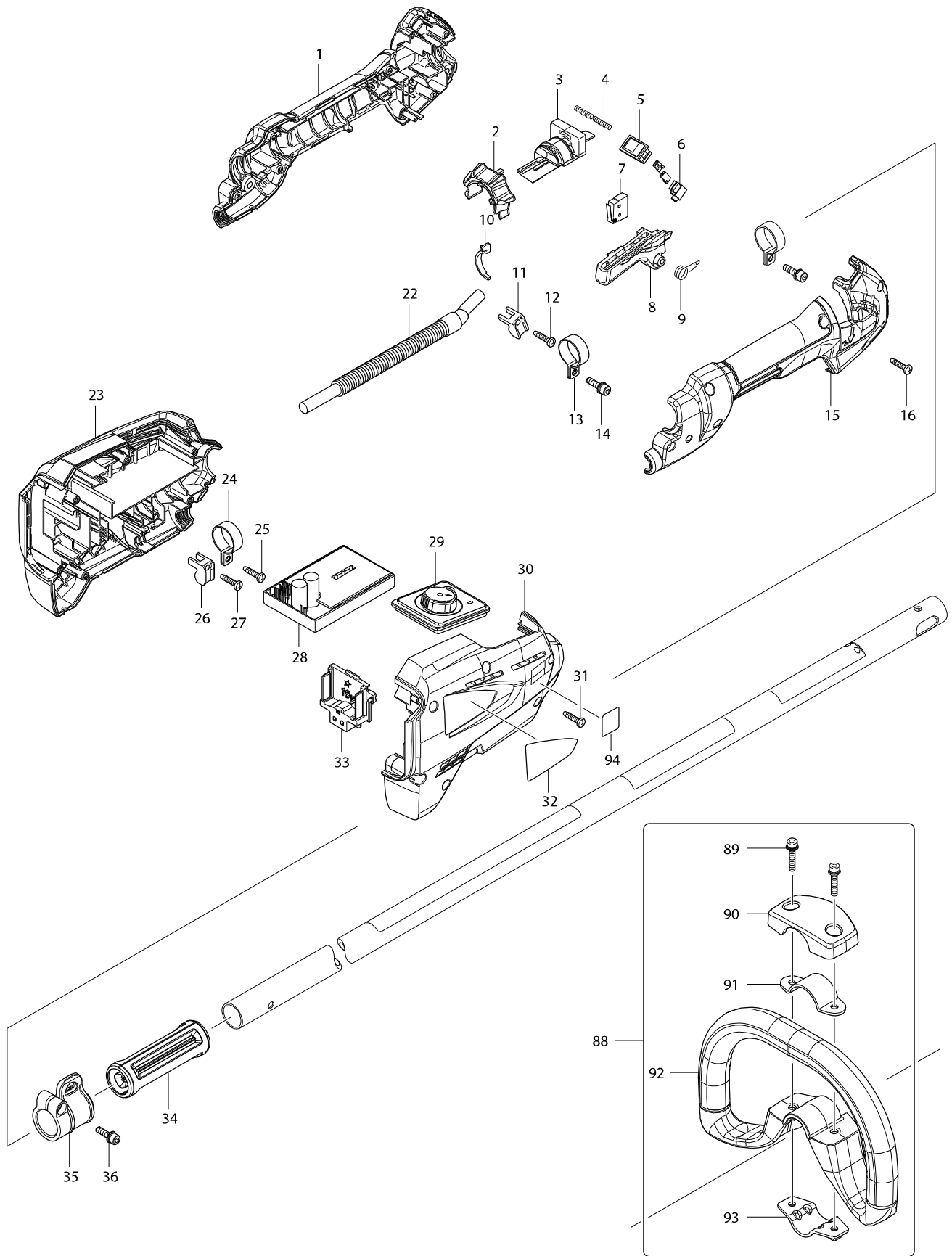
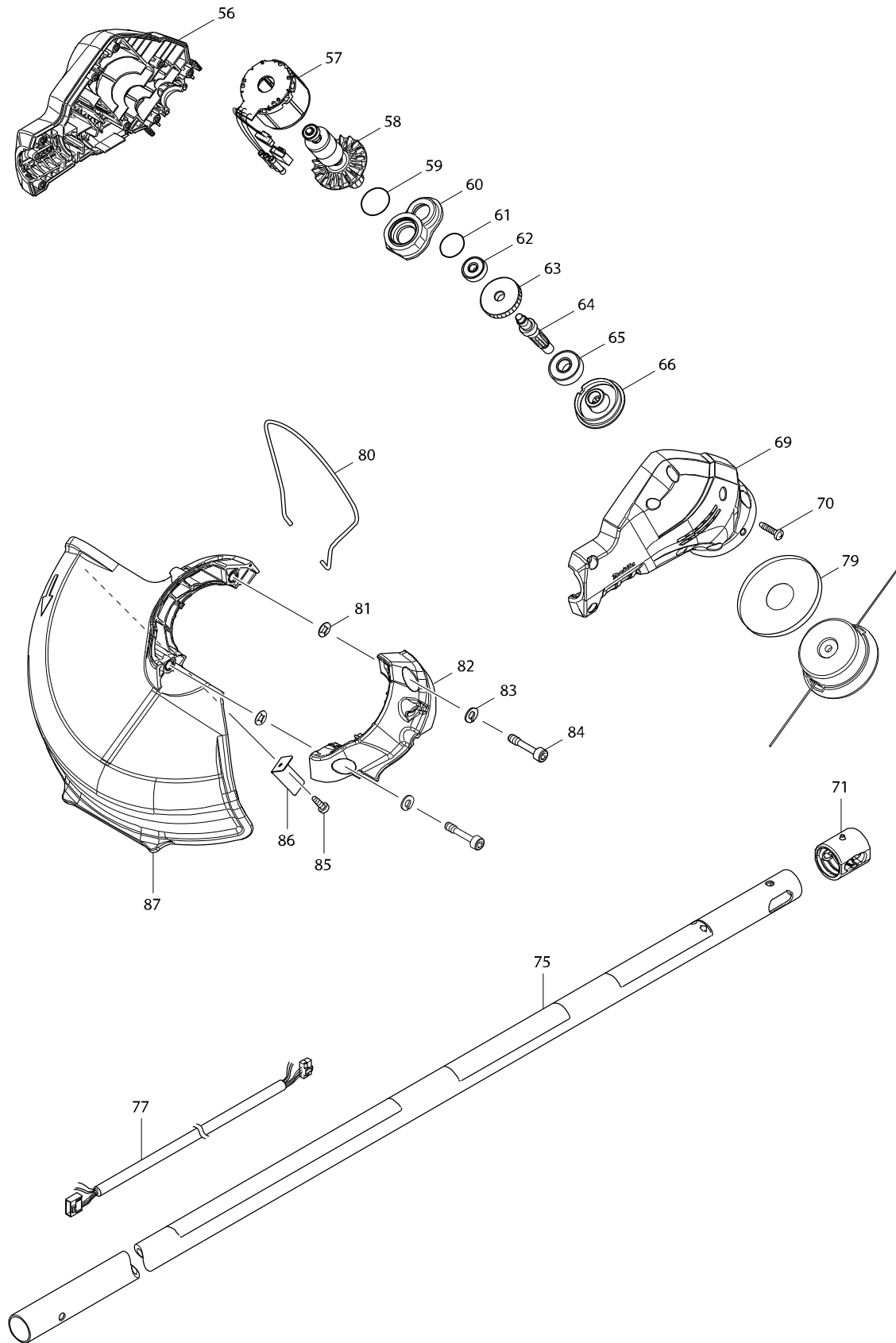


Model No. DUR182L CORDLESS GRASS TRIMMER



Model No. DUR182L CORDLESS GRASS TRIMMER



Item	Parts No.	Description	I/C	Qty	N/O	Opt. 1	Opt. 2	Note
001	187698-1	GRIP SET		1				
D10		INC. 15						
002	454737-5	LOCK OFF LEVER		1				
003	454738-3	LEVER BASE		1				
004	234079-1	COMPRESSION SPRING 4		2				
005	651533-4	SWITCH SLE6A2-33		1				
006	686015-7	RECEPTACLE SLEEVE		1				
007	650704-0	SWITCH D2SW-P01L1-3M		1				
008	454736-7	SWITCH LEVER		1				
009	233612-6	TORSION SPRING 10		1				
010	451985-7	LEAD COVER		1				
011	687261-5	STRAIN RELIEF		1				
012	265995-6	TAPPING SCREW 4X18		1				
013	346248-3	CLAMP 24		2				
014	922228-9	H.S.H.BOLT M5X18 WITH WR		2				
015	187698-1	GRIP SET		1				
D10		INC. 1						
016	265995-6	TAPPING SCREW 4X18		6				
022	699064-5	POWER SUPPLY CORD UNIT		1				
023	187665-6	HOUSING SET		1				
C10	263005-3	RUBBER PIN 6		2				
D10		INC. 30						
024	346248-3	CLAMP 24		1				
025	265995-6	TAPPING SCREW 4X18		1				
026	687261-5	STRAIN RELIEF		1				
027	265995-6	TAPPING SCREW 4X18		1				
028	620196-7	CONTROLLER A		1				
029	142134-4	SUB CONTROLLER COMPLETE		1				
030	187665-6	HOUSING SET		1				
C10	263005-3	RUBBER PIN 6		2				
D10		INC. 23						
031	265995-6	TAPPING SCREW 4X18		6				
032	814X28-4	DUR182L NAME PLATE		1				
033	644808-8	TERMINAL		1				
034	451601-1	SPACER 24		1				
035	168478-4	HANGER		1				
036	922228-9	H.S.H.BOLT M5X18 WITH WR		1				
056	187585-4	MOTOR HOUSING SET		1				
D10		INC. 69						
057	629985-7	STATOR		1				
058	619324-9	ROTOR		1				
059-1	213373-4	O RING 22		1				
060	318978-6	BEARING BOX		1				
061	213325-5	O RING 19		1				
062	210022-4	BALL BEARING 626DDW		1	*			
062-1	210143-2	BALL BEARING 626ZZ	O	1				
063	227773-2	HELICAL GEAR 31		1				
064	326275-6	CUTTER SHAFT		1				

