



**Cordless Slide Compound Miter Saw**  
**LS002G 216 mm (8-1/2")**

**Optimum power supply system and Optimum charging system**

The XGT range of tools and batteries come with a built-in program, providing digital communication between the battery and tool. Allowing not only for the battery to talk to tool but also the tool to talk to the battery. Battery technology and motor engineering that work together for optimum performance.



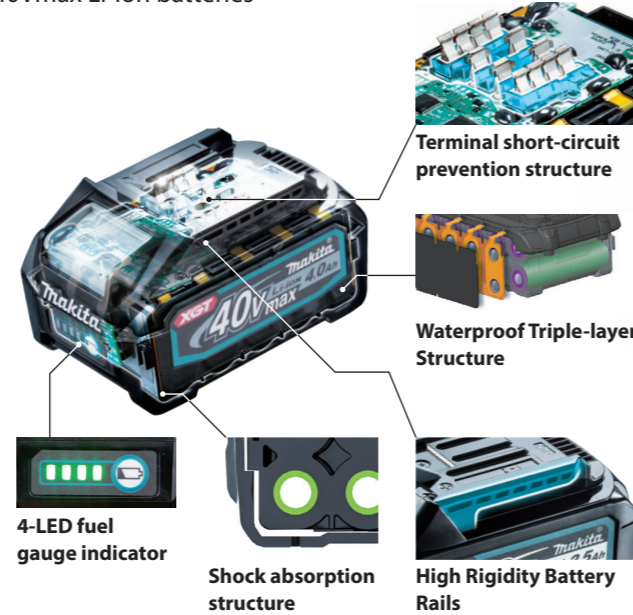
**Optimum charging system**

Auto maintenance system with two cooling fans for providing more optimum fast charging

Tool ↔ Battery ↔ Battery Charger  
**Digital communication**

**Built Tough**

High durability specifications specially designed for 40Vmax Li-Ion batteries



**Max. cutting capacity (height x width)**

Cross Cut	Miter Cut (left & right)	Bevel Cut (left & right)	Compound Cut
70 x 312mm (2-3/4" x 12-1/4")	Miter 45° left / right 70 x 220mm (2-3/4" x 8-5/8")	Bevel 45° left 50 x 312mm (2" x 12-1/4") Bevel 45° right 30 x 312mm (1-3/16" x 12-1/4")	Bevel 45° left Miter 45° left / right 50 x 220mm (2" x 8-5/8") Bevel 45° right Miter 45° left / right 30 x 220mm (1-3/16" x 8-5/8")

**Accessories**

**Horizontal vise**

Part No. 122567-9



**Charging Time Reference**

	DC40RA (Fast-Charge)	DC40RC
	<b>22min</b>	<b>30min</b>
	<b>28min</b>	<b>38min</b>
	<b>45min</b>	<b>67min</b>
	<b>50min</b>	<b>85min</b>

**Cordless Slide Compound Miter Saw**

**LS002G 216 mm (8-1/2")**

	Brake	Blade Diameter	216 mm (8-1/2")
	Constant Speed	Miter Angle	60° L / 60° R
	Soft Start	Bevel Angle	48° L / 48° R
	Bevel Cutting 45 LR	Max Cutting Capacity	90° Miter: 70 x 312 mm (2-3/4 x 12-1/4")
	Dust Collection	No Load Speed (RPM)	4,800
	Built-in Job Light	Sound Pressure Level	89 dB(A)
		Sound Power Level	100 dB(A)
		Dimensions (L x W x H)	702 x 551 x 557 mm (27-5/8 x 21-3/4 x 22")
		Net weight	16.4 - 17.0 kg (36.2 - 37.6 lbs.)

Standard Equipment: TCT Saw Blade, Dust Bag, Triangular Rule, Vertical Vise, Hex Wrench, Battery, Charger

The weight may differ depending on the attachment(s), including the battery cartridge. The lightest and heaviest combination, according to EPTA-Procedure 01/2014, are shown in the table. Items of standard equipment and specifications may vary by country or area.

**Makita Corporation**

3-11-8 Sumiyoshi-cho, Anjo, Aichi, 446-8502 Japan

PRINTED IN JAPAN 202012



**40V Li-ion max**

**Precise cutting and user's comfort**



LED lamp to cast an exact cutting line



40Vmax series movie

This movie was filmed in Japan.  
Models and specs may vary by country.





Max. cutting capacity  
(height x width)  
**70 x 312 mm**

**More efficient dust extraction**



achieved by:  
 • Using the appreciated mechanism of "Dual dust collection ports"  
 • Redesigning the shape of the blade case to reduce the amount of sawdust flying towards operator

**AWS Auto-start Wireless System**

With optional Wireless unit, wireless connection can be made between the tool and AWS-compatible Makita vacuum cleaner for wirelessly enabling tool-triggered dust collection.



**Bluetooth**  
AWS connects to power tool with Bluetooth

**Switch to start up vacuum cleaner (via AWS)**



convenient for cleaning after working with this tool

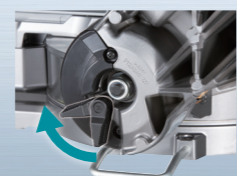
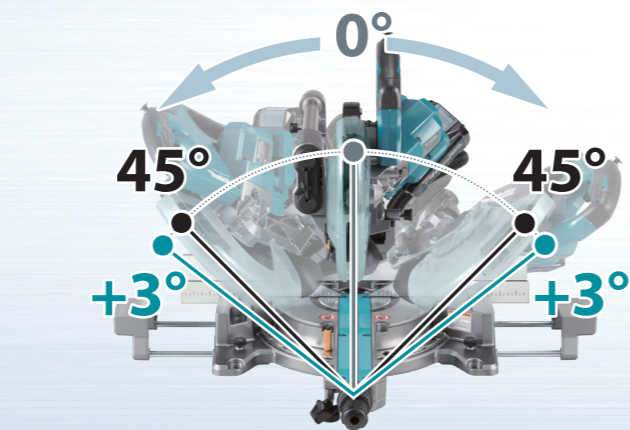


**LED lamp to cast an exact cutting line**



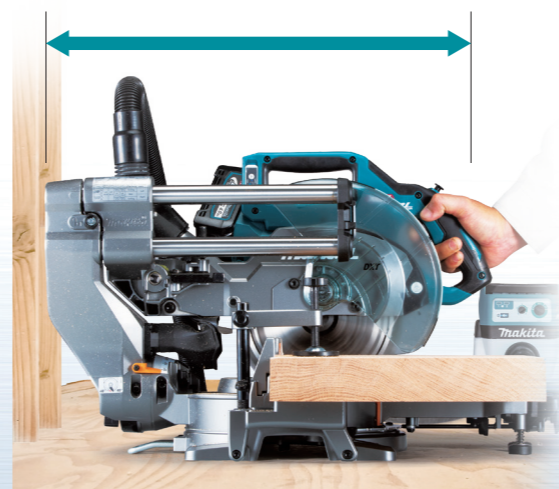
LED lamp casts a shadow of the saw blade onto the workpiece as an exact cutting line. By aligning the shadow with the ink line on the workpiece, you can make an exact cut.

**Bevel range of 48° right and left**



Pull the carriage back slightly and turn the releasing lever for 48° bevel angle in clockwise direction.

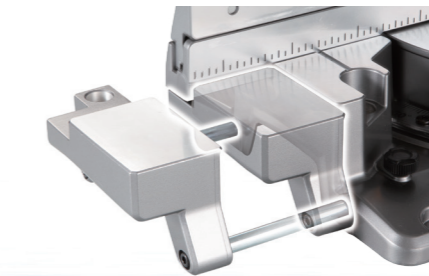
**Rail-forward design**



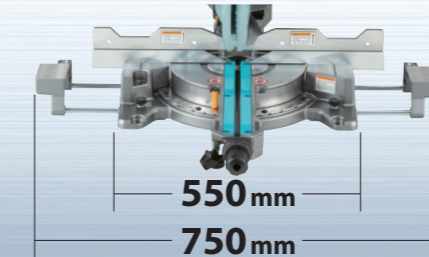
achieved by:  
 • Using the appreciated mechanism of "Dual dust collection ports", which is available in DLS111 series  
 • Redesigning the shape of the blade case to reduce the amount of sawdust flying towards operator

**Extendable sub tables**

help stabilize long material cuts.



Width of the turn base



**Easy locking and release of bevel angle**

Bevel angle can be locked/released by turning the dial behind the front grip, which is located near operator.



**Positive stop function can be disabled simply by depressing a lever.**

